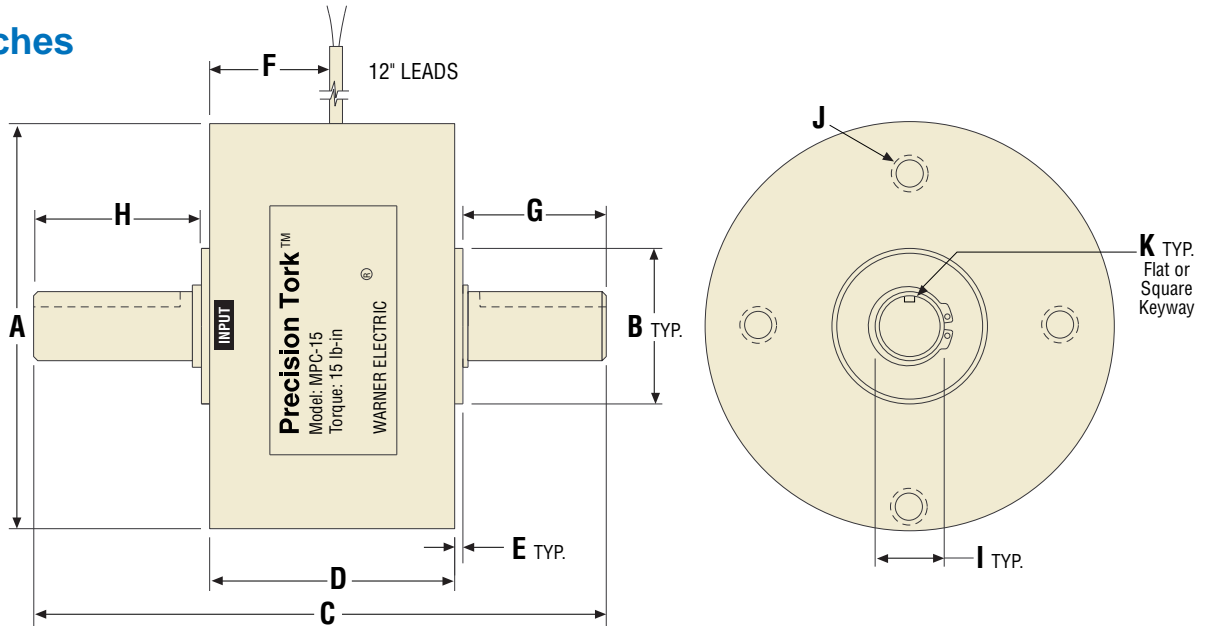


Dimensions and Specifications

Clutches



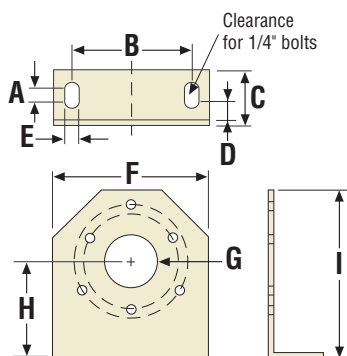
Dimensions

Model	A	B	C	D	E	F	G (Output)	H (Input)	I	J	K
MPC2	2.11	0.750/0.749	3.82	1.86	0.06	1.14	0.88	0.88	0.2497/0.2492	(3) #6-32 on 1.350 BC	Flat
MPC15	2.96	1.125/1.124	4.81	2.80	0.07	1.67	1.00	1.00	0.4997/0.4992	(3) #8-32 on 2.000 BC	Flat
MPC70	4.48	1.625/1.624	6.55	3.67	0.10	2.08	1.35	1.35	0.7497/0.7492	(4) #10-32 on 4.228 BC	0.188 Keyway
MPC120	5.25	1.625/1.624	7.02	4.00	0.10	2.40	1.50	1.35	0.7497/0.7492	(4) #1/4-20 on 4.812 BC	0.188 Keyway

Specifications

Model Number	Max. Drag Torque 0 Excit. (lb.in.)	Rated Torque (lb.in.)	Rated Voltage	Resistance (Ohms)	Rated Current (Amps)	Response Zero Force (Millisec)	Response With Force (Millisecs)	Inertia of Output Shaft (lb.in. ²)	Max. Heat Dissipation (watts)	Max. Speed Recom. (RPM)	Weight
MPC2	0.40	2	24	303	0.079	8	4	1.33 x 10 ⁻³	10	1,800	1
	0.40	2	90	1539	0.058	8	4	1.33 x 10 ⁻³	10	1,800	1
MPC15	0.40	15	24	126	0.191	25	9	1.48 x 10 ⁻²	20	1,000	6
	0.40	15	90	1501	0.060	25	9	1.48 x 10 ⁻²	20	1,000	6
MPC70	1.00	70	24	35	0.677	70	17	8.84 x 10 ⁻²	100	1,000	17
	1.00	70	90	613	0.147	70	17	8.84 x 10 ⁻²	100	1,000	17
MPC120	2.00	120	24	33	0.742	90	25	3.82 x 10 ⁻¹	140	1,000	22
	2.00	120	90	475	0.190	90	25	3.82 x 10 ⁻¹	140	1,000	22

Optional Mounting Bracket (for mounting MPB Brakes and MPC Clutches)



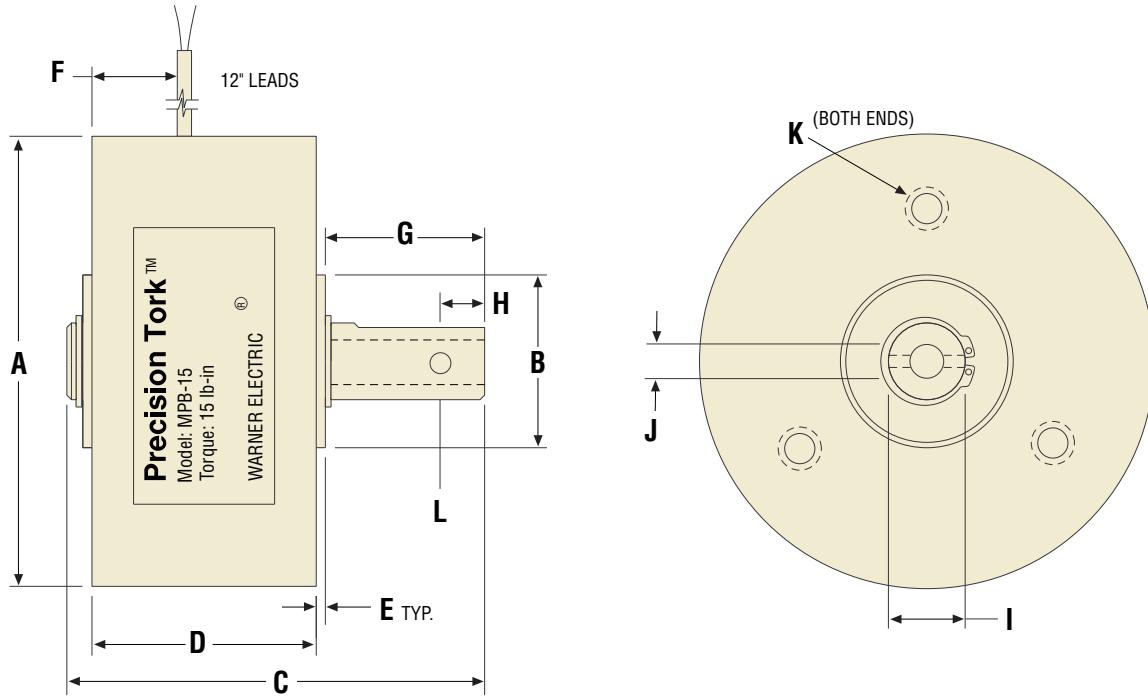
Model	Fits Size	A	B	C	D	E	F	G	H	I
MPB-2B	2	0.270 (6.9)	1.750 (44.5)	1.155 (29.3)	0.390 (9.9)	0.280 (7.1)	2.500 (63.5)	0.750 (19.1)	1.500 (38.1)	3.000 (76.2)
MPB-15B	7, 15, 35	0.270 (6.9)	2.500 (63.5)	1.155 (29.3)	0.390 (9.9)	0.280 (7.1)	3.500 (88.9)	1.125 (28.6)	2.000 (50.8)	4.000 (101.6)
MPB-70B	70	0.270 (6.9)	4.875 (123.8)	1.155 (29.3)	0.390 (9.9)	0.280 (7.1)	6.000 (152.4)	1.625 (41.3)	3.500 (88.9)	6.000 (152.4)
MPB-120B	120	0.270 (6.9)	4.875 (123.8)	1.155 (29.3)	0.390 (9.9)	0.280 (7.1)	6.000 (152.4)	1.625 (41.3)	3.500 (88.9)	6.250 (158.8)
MPB-240B	240	0.270 (6.9)	4.875 (123.8)	1.155 (29.3)	0.390 (9.9)	0.280 (7.1)	6.500 (165.1)	2.441 (62.0)	4.000 (101.6)	7.500 (190.5)

All dimensions are nominal unless otherwise noted. () denotes (mm)



Dimensions and Specifications

Brakes



Dimensions

Model	A	B	C	D	E	F	G	H	I (Shaft)	J (Bore)	K	L
MPB2-1	2.11	0.750/0.749	2.23	1.15	0.06	0.72	0.88	-	0.2947/0.2492	Solid Shaft	(3) #6-32 on 1.350 BC	1 Flat
MPB15-1	2.93	1.125/1.124	3.05	1.46	0.07	0.86	1.35	-	0.3747/0.3742	Solid Shaft	(3) #8-32 on 2.000 BC	1 Flat
MPB15-2	2.93	1.125/1.124	2.05	1.46	0.07	0.86	0.35	0.18	0.499	0.375/0.376	(3) #8-32 on 2.000 BC	0.125 Thru Hole
MPB15-3	2.93	1.125/1.124	2.70	1.46	0.07	0.86	1.00	-	0.4997/0.4992	Solid Shaft	(3) #8-32 on 2.000 BC	1 Flat
MPB70-1	4.48	1.625/1.624	2.62	1.76	0.10	0.98	0.50	0.18	0.749	0.500/0.501	(4) #10-32 on 4.228 BC	0.125 Thru Hole
MPB70-2	4.48	1.625/1.624	3.37	1.76	0.10	0.98	1.25	-	0.7497/0.7492	Solid Shaft	(4) #10-32 on 4.228 BC	0.188 Keyway
MPB120-1	5.25	1.625/1.624	4.02	2.17	0.10	1.18	1.50	0.50	0.749	0.500/0.501	(4) #1/4-20 on 4.812 BC	0.156 Thru Hole
MPB120-2	5.25	1.625/1.624	4.02	2.17	0.10	1.18	1.50	-	0.7497/0.7492	Solid Shaft	(4) #1/4-20 on 4.812 BC	0.188 Keyway
MPB240-1	6.21	2.441/2.440	4.66	2.65	0.10	1.46	1.65	-	0.7497/0.7492	Solid Shaft	(4) #1/4-20 on 5.875 BC	0.188 Keyway
MPB240-2	6.21	2.441/2.440	3.51	2.65	0.10	1.46	0.50	-	1.377	0.875/0.876	(4) #1/4-20 on 5.875 BC	0.188 Keyway
MPB240-3	6.21	2.441/2.440	3.51	2.65	0.10	1.46	0.50	-	1.377	1.000/1.001	(4) #1/4-20 on 5.875 BC	0.250 Shallow Keyway

Specifications

Model Number	Max. Drag Torque Ø Excit. (lb.in.)	Rated Torque (lb.in.)	Rated Voltage	Resistance (Ohms)	Rated Current (Amps)	Response Zero Force (Millisec)	Response With Force (Millisecs)	Inertia of Output Shaft (lb.in. ²)	Max. Heat Dissipation (watts)	Max. Speed Recom. (RPM)	Weight
MPB2	0.40	2	24	303	0.079	8	4	1.31 x 10 ⁻³	10	1,800	1
	0.40	2	90	1,539	0.058	8	4	1.31 x 10 ⁻³	10	1,800	1
MPB15	0.40	15	24	126	0.191	25	9	1.39 x 10 ⁻²	20	1,000	3
	0.40	15	90	1,501	0.060	25	9	1.39 x 10 ⁻²	20	1,000	3
MPB70	1.00	70	24	35	0.677	70	17	8.03 x 10 ⁻²	100	1,000	7
	1.00	70	90	613	0.147	70	17	8.03 x 10 ⁻²	100	1,000	7
MPB120	2.00	120	24	33	0.742	90	25	3.75 X 10 ⁻¹	140	1,000	12
	2.00	120	90	475	0.190	90	25	3.75 X 10 ⁻¹	140	1,000	12
MPB240	4.00	240	24	14	1.693	150	45	1.35	200	1,000	20
	4.00	240	90	186	0.485	150	45	1.35	200	1,000	20