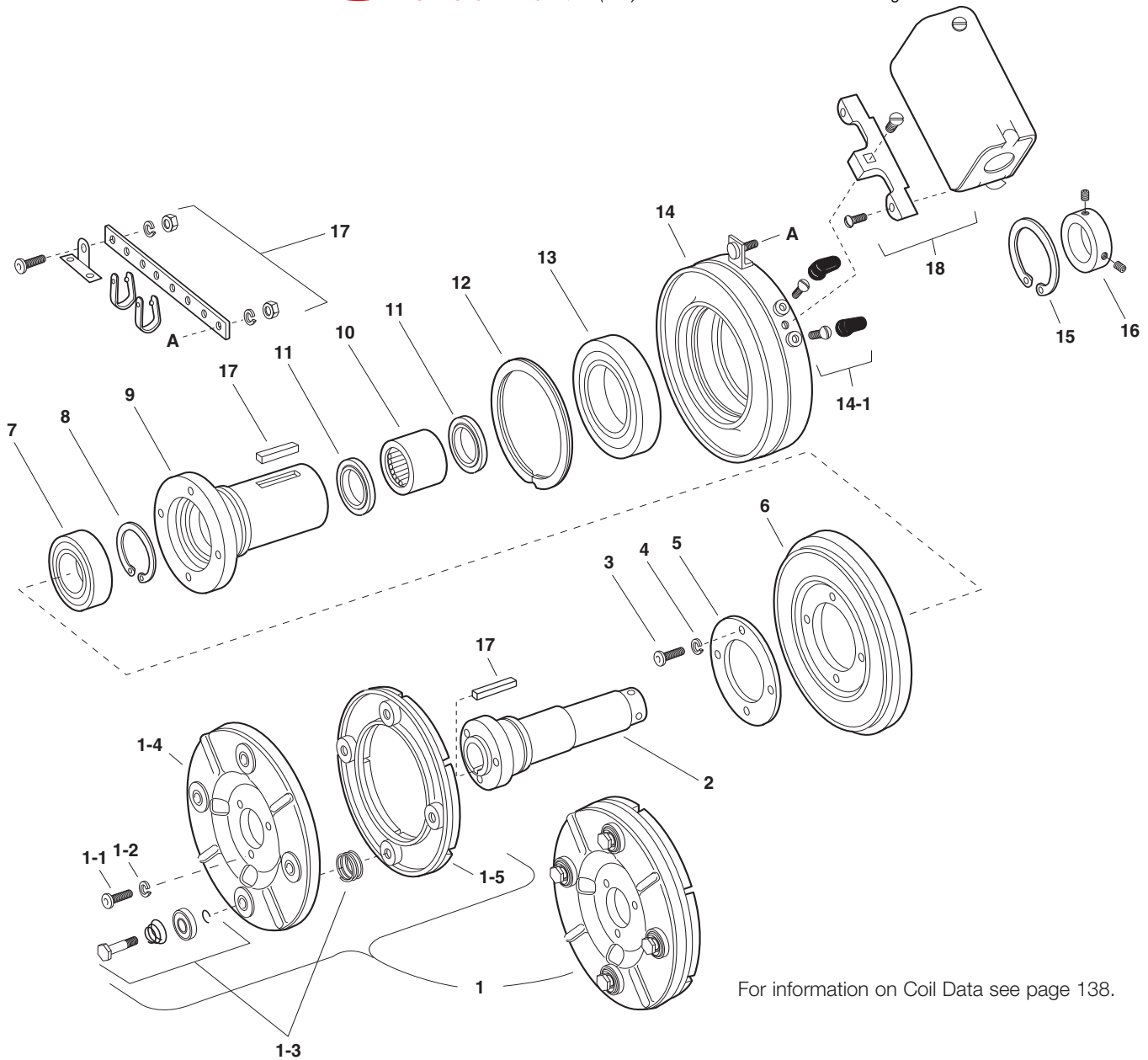


EC-375, EC-475, EC-650



MEX (55) 53 63 23 31 MTY (81) 83 54 10 18  
 QRO (442) 1 95 72 60 ventas@industrialmagza.com



For information on Coil Data see page 138.

## Electrical and Mechanical Data

Model Size	Voltage DC	Static Torque (lb. ft.)	Max. Speed RPM	Armature & Carrier	Inertia-WR <sup>2</sup> (lb. ft <sup>2</sup> )			Total Inner Sleeve	Weight lbs.
					Rotor	Outer Sleeve	Inner Sleeve		
EC-375	6	16 lb. ft.	5000	.010	.018	.001	.001	4	
	24	16 lb. ft.	5000	.010	.018	.001	.001	4	
	90	16 lb. ft.	5000	.010	.018	.001	.001	4	
EC-475	6	30 lb. ft.	4500	.072	.033	.006	.002	8	
	24	30 lb. ft.	4500	.072	.033	.006	.002	8	
	90	30 lb. ft.	4500	.072	.033	.006	.002	8	
EC-650	6	95 lb. ft.	3600	.106	.202	.010	.013	18	
	24	95 lb. ft.	3600	.106	.202	.010	.013	18	
	90	95 lb. ft.	3600	.106	.202	.010	.013	18	

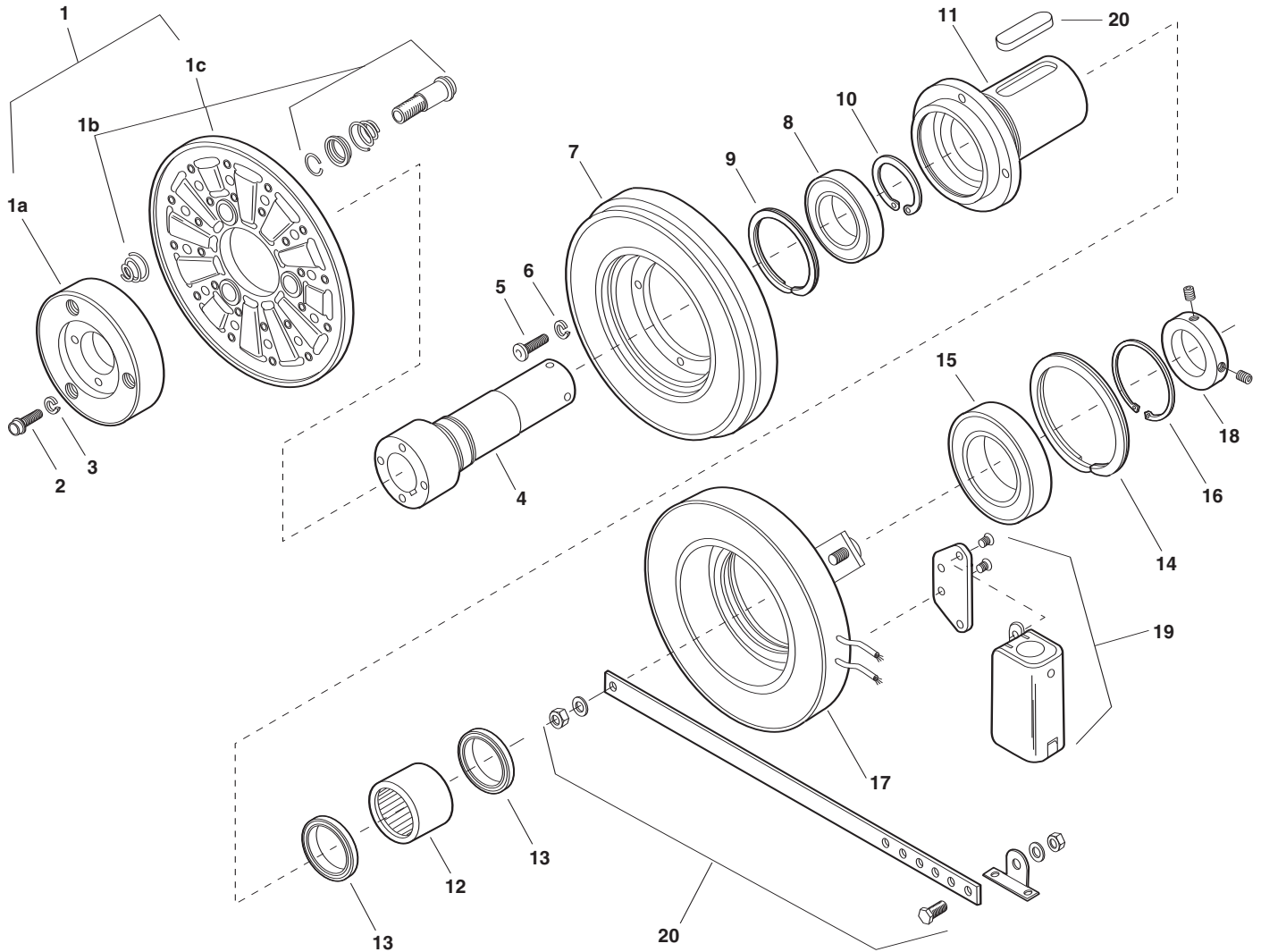
### Service Parts

## Component Parts

Item	Description	EC-375		EC-475		EC-650	
		Part No.	Qty.	Part No.	Qty.	Part No.	Qty.
1	Armature & Carrier Assembly	5380-101-006	1	5181-101-003	1	5281-101-003	1
	1-1 Capscrew	797-1214	3	797-1214	3	797-0086	3
	1-2 Lockwasher	950-0102	3	950-0102	3	950-0102	3
	1-3 Autogap Accessory	5180-101-011	3	5181-101-010	4	5181-101-010	4
	1-4 Carrier	5380-295-002	1	5181-295-002	1	5281-295-002	1
	1-5 Armature	5180-111-002	1	5181-111-002	1	5281-111-002	1
2	Inner Sleeve		1		1		1
	1/2" Bore	803-0054					
	5/8" Bore	803-0055		803-0044			
	3/4" Bore			803-0042			
	7/8" Bore			803-0043			
	1" Bore					803-0047	
	1-1/8" Bore					803-0049	
	1-1/4" Bore					803-0048	
1-3/8" Bore					803-0050		
3	Screw	797-1050	6	797-1039	4	797-0083	4
4	Lockwasher	950-0105	6	950-0102	4	950-0103	4
5	Retainer Plate	748-0391	1	748-0393	1	748-0389	1
6	Rotor	5180-751-001	1	5181-751-001	1	5281-751-001	1
7	Ball Bearing	166-0149	1	166-0109	1	166-0110	1
8	Retainer ring	748-0017	1	748-0023	1	748-0002	1
9	Outer Sleeve	5180-104-001	1	5181-014-001	1	5281-104-001	1
10	Sleeve Bearing	166-0177	1	166-0179	1	166-0178	1
11	Oil Seal	795-0027	2	795-0028	2	795-0026	2
12	Retainer Ring	748-0101	1	748-0102	1	748-0104	1
13	Ball Bearing	166-0150	1	166-0110	1	166-0104	1
14	Field		1		1		1
	6 volt	5180-451-002		5181-451-002		5281-451-002	
	24 volt	5180-451-004		5181-451-004		5281-451-004	
	90 volt	5180-451-005		5181-451-005		5281-451-005	
	14-1 Terminal Accessory	5103-101-002	1	5103-101-002	1	5311-101-001	1
15	Retainer Ring	748-0018	1	748-0002	1	748-0004	1
16	Set Collar	266-0011	1	266-0012	1	266-0010	1
17	Accessory, W/Keys		1		1		1
	1/2" Bore	5180-101-001					
	5/8" Bore	5180-101-001		5181-101-001			
	3/4" Bore			5181-101-001			
	7/8" Bore			5181-101-002			
	1" Bore					5281-101-001	
	1-1/8" Bore					5281-101-001	
	1-1/4" Bore					5281-101-001	
1-3/8" Bore					5281-101-002		
18	Conduit Box	5200-101-010	1	5200-101-010	1	5200-101-010	1

These units when used with the correct Warner Electric conduit box, meets the standards of UL508 and are listed under guide care #NMTR, file #59164. These units are CSA Certified under file #LR11543.  
Refer to Service Manual P-210.

EC-825



**INDUSTRIAL MAGZA** MEX (55) 53 63 23 31 MTY (81) 83 54 10 18  
DIST. AUTORIZADO QRO (442) 1 95 72 60 ventas@industrialmagza.com

Service Parts

Warner Electric 800-234-3369

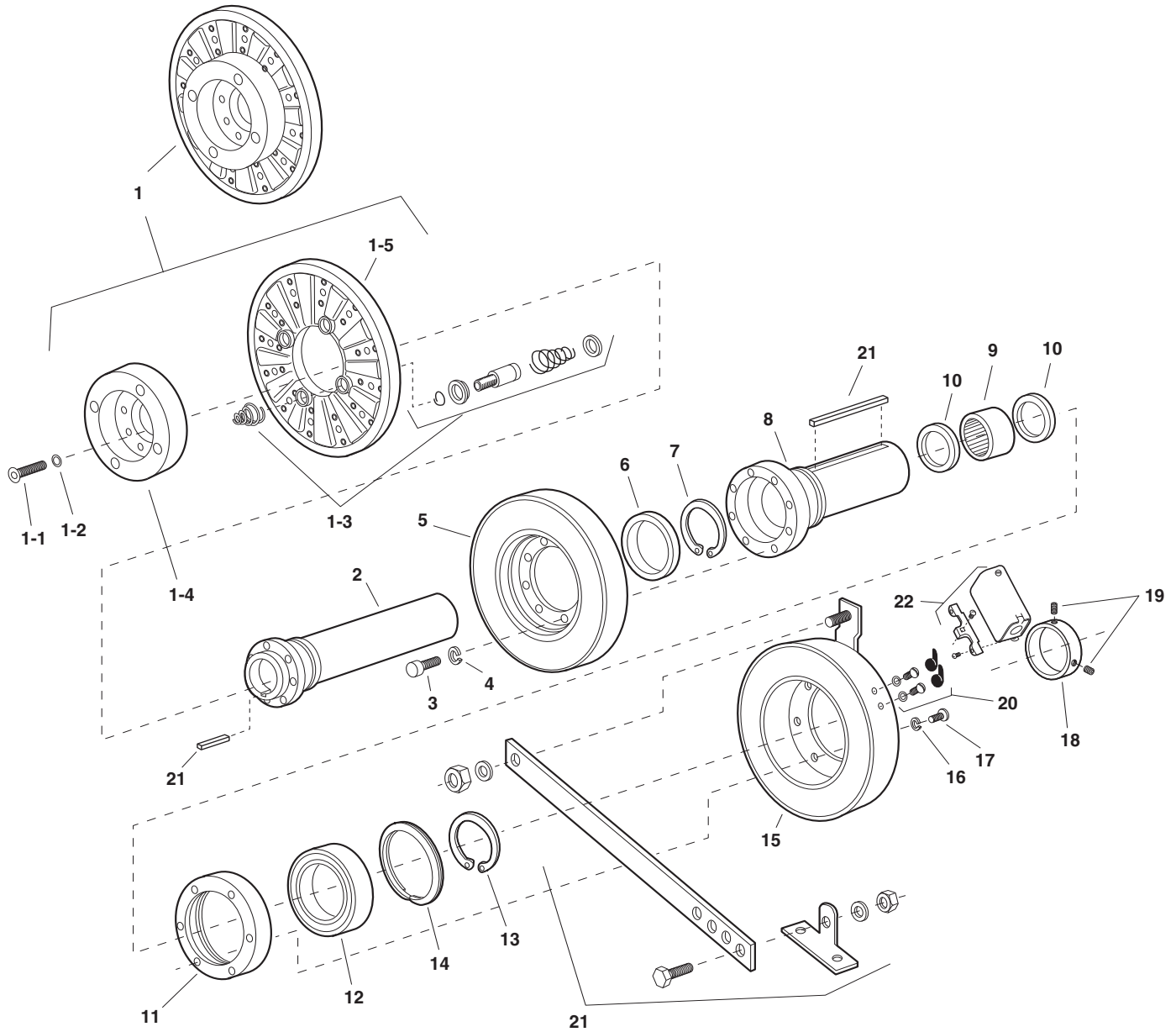
### Component Parts

		EC-825	
Item	Description	Part No.	Qty.
1	Armature Assembly	5282-111-002	1
	1a Hub	540-1298	1
	1b Autogap Accessory	5201-101-068	3
	1c Armature	5282-111-001	1
2	Capscrew	797-0081	4
3	Lockwasher	950-0103	4
4	Inner Sleeve		1
	1-1/8" Bore	803-0069	
	1-1/4" Bore	803-0070	
	1-3/8" Bore	803-0071	
5	Capscrew	797-0086	4
6	Lockwasher	950-0103	4
7	Rotor Assembly	5282-751-001	1
8	Ball Bearing	166-0110	1
9	Retainer Ring	748-0102	1
10	Retainer Ring	748-0002	1
11	Rotor Adapter	5282-105-002	1

		EC-825	
Item	Description	Part No.	Qty.
12	Roller Bearing	166-0178	1
13	Oil Seal	795-0026	2
14	Retainer Ring	748-0104	1
15	Ball Bearing	166-0104	1
16	Retainer Ring	748-0004	1
17	Field		
	6 volt	5282-451-002	
	24 volt	5282-451-004	
	90 volt	5282-451-005	
18	Set Collar	266-0010	1
19	Conduit Box	5200-101-012	1
20	Mounting Accessory with Keys	5282-101-001	1

Refer to Service Manual P-210.

These units when used with the correct Warner Electric conduit box, meets the standards of UL508 and are listed under guide care #NMTR, file #59164. These units are CSA Certified under file #LR11543.



**INDUSTRIAL MAGZA** MEX (55) 53 63 23 31 MTY (81) 83 54 10 18  
DIST. AUTORIZADO QRO (442) 1 95 72 60 ventas@industrialmagza.com

Service Parts

Warner Electric 800-234-3369

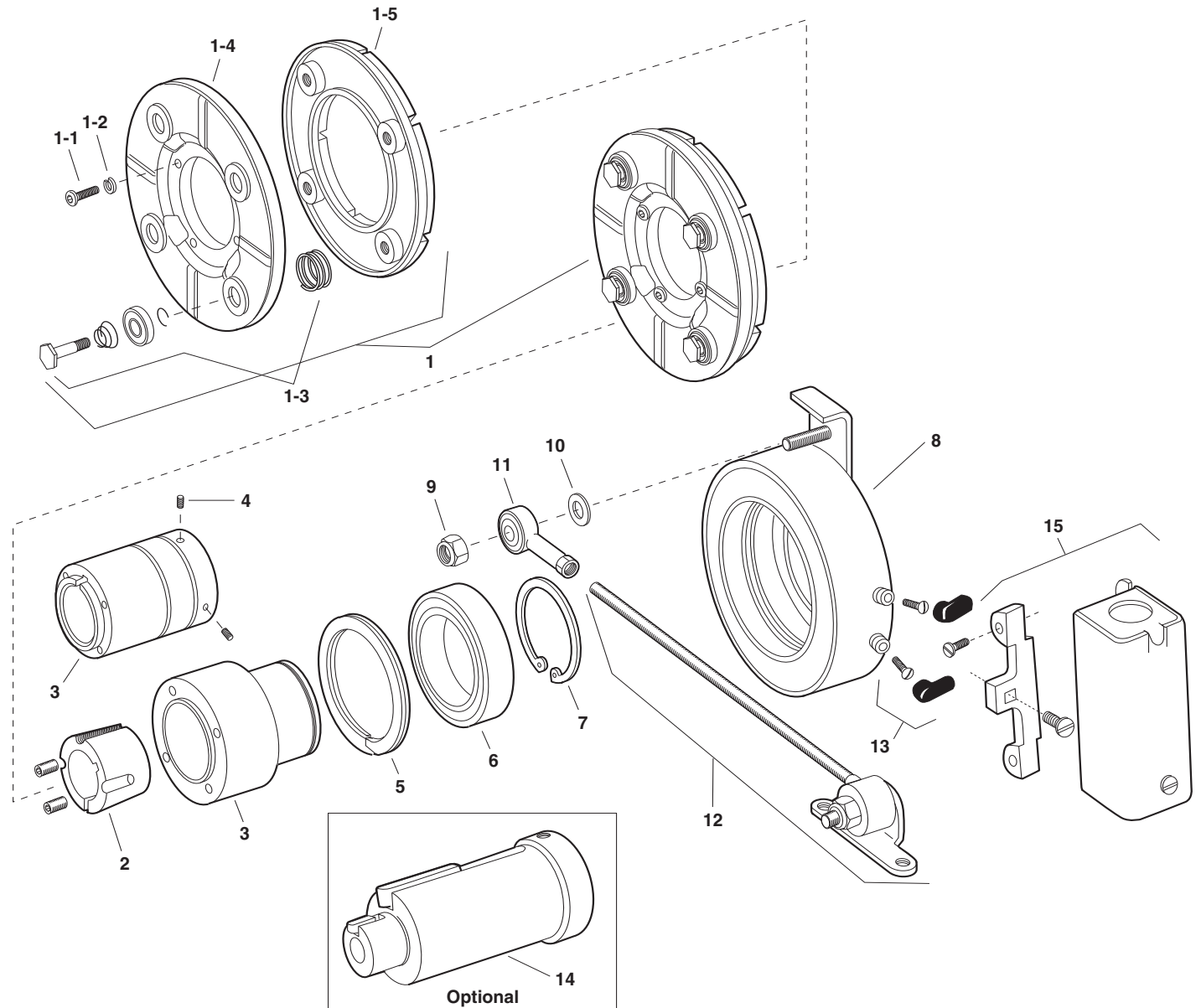
### Component Parts

Item	Description	EC-1000		EC-1225	
		Part No.	Qty.	Part No.	Qty.
1	Armature & Carrier Assembly	5283-111-001	1	5284-111-001	1
	1-1 Capscrew	797-1163	6	797-1163	8
	1-2 Lockwasher	950-0111	6	950-0111	8
	1-3 Autogap Accessory	5201-101-008	3	5201-101-008	4
	1-4 Hub	540-1338	1	540-1340	1
	1-5 Armature	5302-111-013	1	5385-111-003	1
2	Inner Sleeve		1		1
	3/8" Bore	803-0027			
	1-1/2" Bore	803-0166			
	1-5/8" Bore	803-0028			
	1-5/8" Bore			803-0078	
	1-7/8" Bore			803-0030	
	2-1/8" Bore			803-0031	
3	Capscrew	797-0083	8	797-0416	8
4	Lockwasher	950-0103	8	950-0106	8
5	Rotor Assembly	5283-101-002	1	5284-101-006	1
6	Ball Bearing	166-0168	1	166-0170	1
7	Retainer Ring	748-0067	1	748-0503	1
8	Outer Sleeve	803-0025	1	803-0032	1
9	Roller Bearing	166-0180	1	166-0181	1
10	Oil Seal	795-0029	2	795-0033	2
11	Adapter Ring	748-0480	1	748-0466	1
12	Ball Bearing	166-0163	1	166-0163	1
13	Retainer Ring	748-0502	1	748-0502	1
14	Retainer Ring	748-0114	1	748-0114	1
15	Field		1		1
	6 volt	5283-451-002		5284-451-002	
	24 volt	5283-451-010		5284-451-010	
	90 volt	5283-451-003		5284-451-003	
16	Lockwasher	950-0355	6	950-0359	6
17	Capscrew	797-0083	6	797-0416	6
18	Set Collar	266-0015	1	266-0016	1
19	Set Screw	797-0468	2	797-0130	2
20	Terminal Accessory	5311-101-001	1	5311-101-001	1
21	Mounting Accessory with Keys		1		1
	1-3/8" Bore	5283-101-005			
	1-1/2" Bore	5283-101-009			
	1-5/8" Bore	5283-101-006		5284-101-007	
	1-7/8" Bore			5284-101-001	
	2-1/8" Bore			5284-101-002	
22	Conduit Box	5200-101-011	1	5200-101-011	1

Refer to Service Manual P-210.

These units when used with the correct Warner Electric conduit box, meets the standards of UL508 and are listed under guide care #NMTR, file #59164. These units are CSA Certified under file #LR11543.

EB-375, EB-475, EB-650



**INDUSTRIAL MAGZA** MEX (55) 53 63 23 31 MTY (81) 83 54 10 18  
DIST. AUTORIZADO QRO (442) 1 95 72 60 ventas@industrialmagza.com

Service Parts

Warner Electric 800-234-3369

### Component Parts

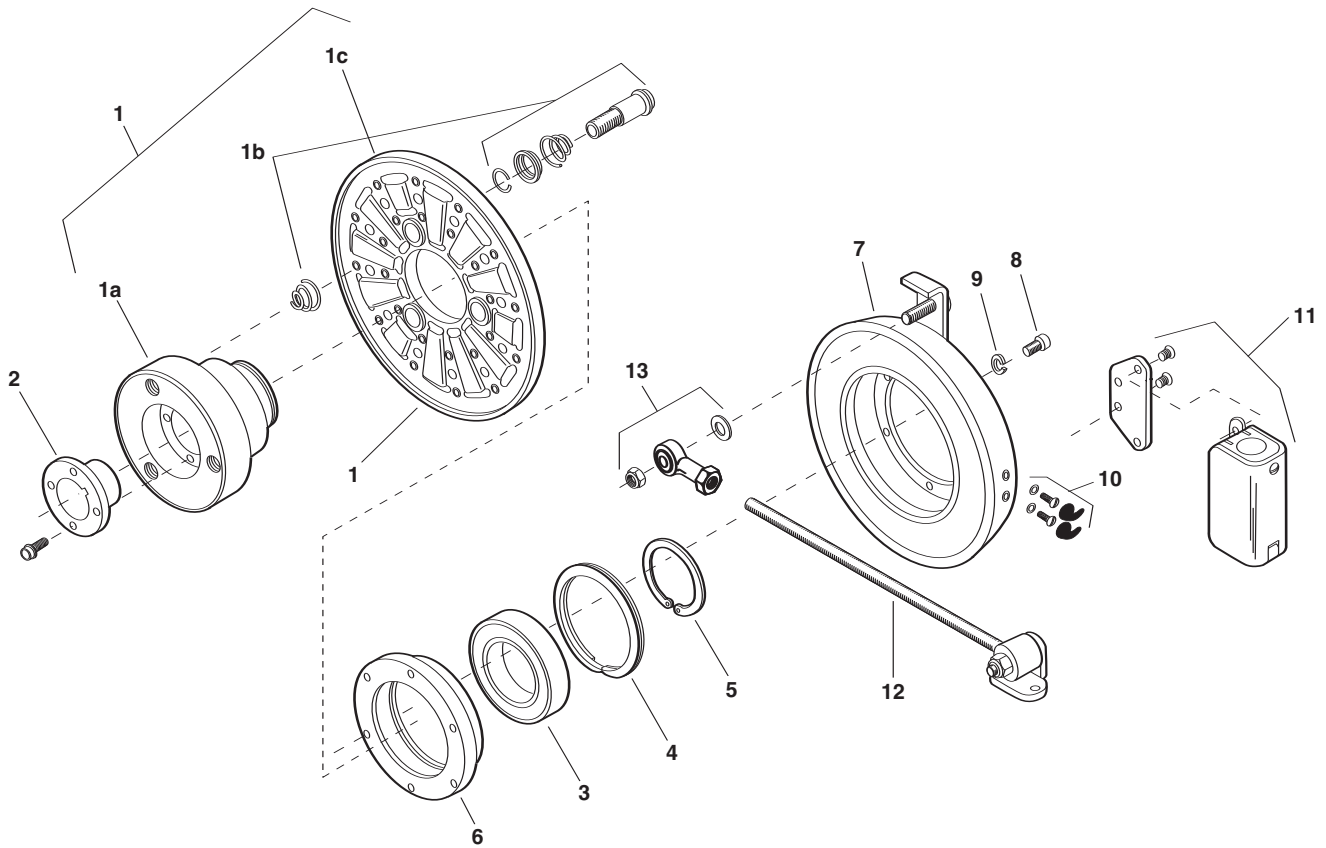
Item	Description	EB-375		EB-475		EB-650	
		Part No.	Qty.	Part No.	Qty.	Part No.	Qty.
1	Armature & Carrier Assembly	5380-101-006	1	5381-101-004	1	5382-101-005	1
	1-1 Capscrew	797-1214	3	797-1214	4	797-0086	4
	1-2 Lockwasher	950-0102	3	950-0102	4	950-0103	4
	1-3 Autogap Accessory	5180-101-011	3	5181-101-010	4	5181-101-010	4
	1-4 Carrier	5380-295-002	1	5381-295-003	1	5382-295-002	1
	1-5 Armature	5180-111-002	1	5181-111-002	1	5281-111-002	1
2	*Bushing			180-0410-180-0418 1/2" to 1" bore	1	180-0421-180-0435 1/2" to 1-3/8" bore	1
3	Hub		1	540-0524	1	540-0523	1
	1/2" Bore	540-0520					
	5/8" Bore	540-0519					
4	Set Screw		2				
	1/2" Bore	797-0368					
	5/8" Bore	797-0366					
5	Retainer Ring	748-0101	1	748-0102	1	748-0104	1
6	Ball Bearing	166-0150	1	166-0110	1	166-0104	1
7	Retainer Ring	748-0018	1	748-0002	1	748-0004	1
8	Magnet		1		1		1
	6 volt	5380-631-003		5381-631-003		5382-631-003	
	24 volt	5380-631-004		5381-631-004		5382-631-005	
	90 volt	5380-631-002		5381-631-002		5382-631-002	
9	Locknut	661-0050	1	661-0051	1	661-0004	1
10	Washer	950-0029	1	950-0026	1	950-0030	1
11	Rod End Bearing	166-0186	1	166-0187	1	166-0188	1
12	Torque Arm Rod Assembly	5380-112-001	1	5381-112-001	1	5382-112-001	1
13	Terminal Accessory	5311-101-001	1	5311-101-001	1	5311-101-001	1
14	Adapter (optional)		1		1		1
	5/8" Motor Shaft	5380-101-005					
	7/8" Motor Shaft	5380-101-004					
	1-1/8" Motor Shaft			5381-101-003			
	1-3/8" Motor Shaft					5382-101-003	
	1-5/8" Motor Shaft					5382-101-002	
15	Conduit Box	5200-101-010	1	5200-101-010	1	5200-101-010	1

\*See page 235 for specific part numbers.

Refer to Service Manual P-211.

These units when used with the correct Warner Electric conduit box, meets the standards of UL508 and are listed under guide care #NMTR, file #59164. These units are CSA Certified under file #LR11543.





**INDUSTRIAL MAGZA** MEX (55) 53 63 23 31 MTY (81) 83 54 10 18  
DIST. AUTORIZADO QRO (442) 1 95 72 60 ventas@industrialmagza.com

Service Parts

### Component Parts

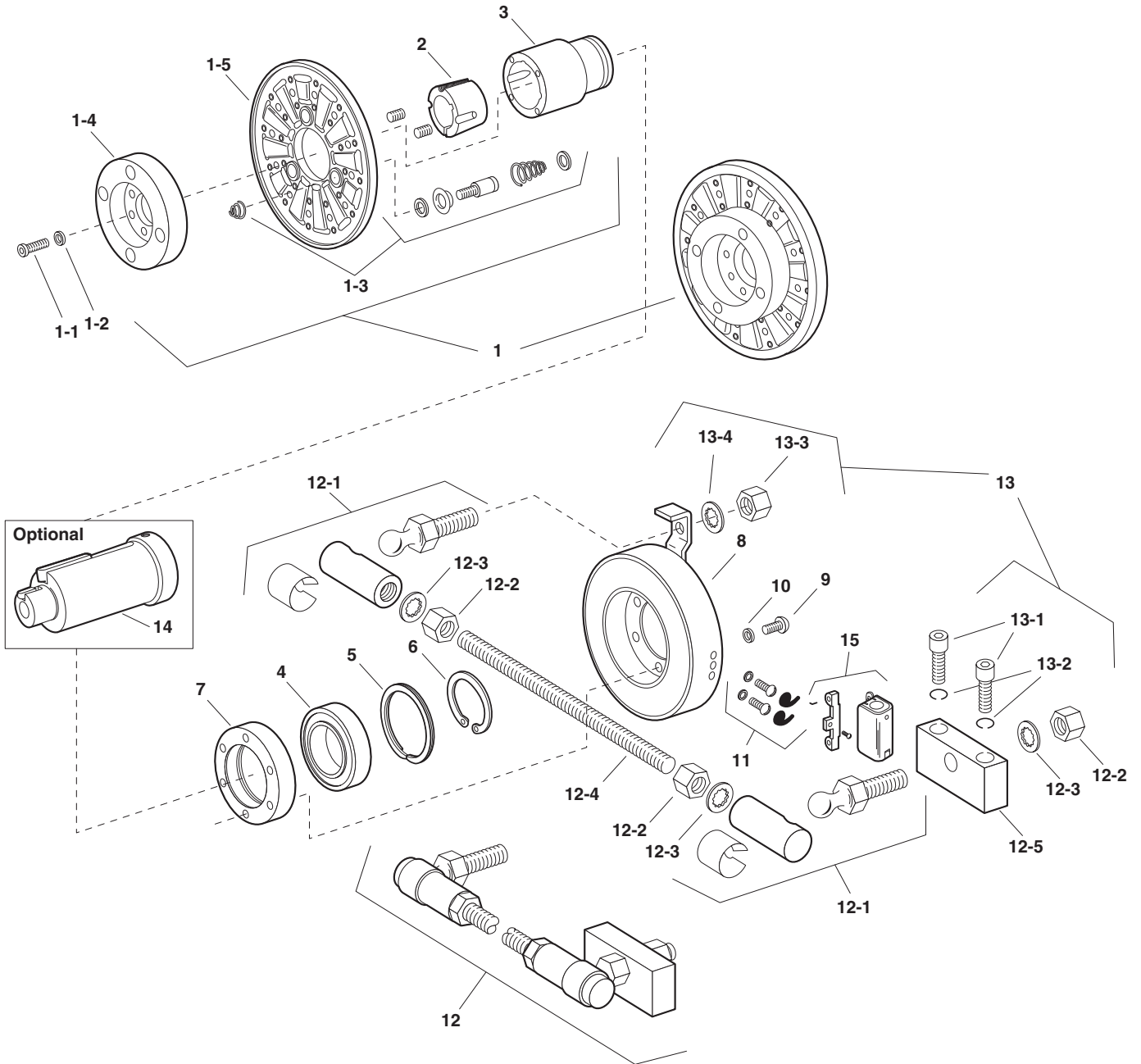
EB-825			
Item	Description	Part No.	Qty.
1	Armature Assembly	5383-111-001	1
	1a Hub	540-1299	1
	1b Autogap Assembly	5201-101-008	3
	1c Armature	5282-111-001	1
2	*Bushing	180-0002 to 180-0018 1/2" to 1-1/2" Bore	1
3	Ball Bearing	166-0168	1
4	Retainer Ring	748-0120	1
5	Retainer Ring	748-0584	1
6	Adapter Ring	748-0631	1

EB-825			
Item	Description	Part No.	Qty.
7	Magnet Assembly		1
	6 volt	5383-631-002	
	24 volt	5383-631-004	
8	90 volt	5383-631-005	
	Capscrew	797-0079	6
9	Lockwasher	950-0372	6
10	Terminal Accessory	5311-101-001	1
11	Conduit Box	5200-101-011	1
12	Torque Arm Rod Assembly	5382-112-001	1
13	Rod End Assembly	5382-101-007	1

\*See page 235 for specific part numbers.

Refer to Service Manual P-211.

These units when used with the correct Warner Electric conduit box, meets the standards of UL508 and are listed under guide care #NMTR, file #59164.



**INDUSTRIAL MAGZA** MEX (55) 53 63 23 31 MTY (81) 83 54 10 18  
DIST. AUTORIZADO QRO (442) 1 95 72 60 ventas@industrialmagza.com

**Service Parts**

**Warner Electric 800-234-3369**

### Component Parts

Item	Description	EB-1000		EB-1225	
		Part No.	Qty.	Part No.	Qty.
1	Armature & Carrier Assembly	5384-111-003	1	5385-111-004	1
	1-1 Capscrew	797-1163	6	797-1163	8
	1-2 Lockwasher	950-0111	6	950-0111	8
	1-3 Autogap Accessory	5201-101-008	3	5201-101-008	4
	1-4 Hub	540-1339	1	540-1341	1
	1-5 Armature	5302-111-013	1	5385-111-003	1
2	*Bushing	180-0131-180-0149 1/2" to 1-5/8" bore	1	180-0185-180-0217 1/2" to 2-1/2" bore	1
3	Hub	540-0579	1	540-0578	1
4	Ball Bearing	166-0164	1	166-0163	1
5	Retainer Ring	748-0116	1	748-0114	1
6	Retiner Ring	748-0501	1	748-0074	1
7	Adapter Ring	748-0467	1	748-0465	1
8	Magnet Assembly		1		1
	6 volt	5384-631-002		5385-631-002	
	24 volt	5384-631-009		5385-631-009	
	90 volt	5384-631-003		5385-631-003	
9	Capscrew	797-0416	6	797-0416	6
10	Lockwasher	950-0106	6	950-0106	6
11	Terminal Accessory	5311-101-001	1	5311-101-001	1
12	Torque Arm Rod Assembly	5385-757-001	1	5385-757-001	1
	12-1 Ball Joint	585-0001	2	585-0001	2
	12-2 Jam Nut	661-0012	3	661-0012	3
	12-3 Lockwasher	950-0114	3	950-0114	3
	12-4 Threaded Rod	756-0030	1	756-0030	1
	12-5 Bracket	174-0073	1	174-0073	1
13	Torque Arm Mounting Accessory	5385-101-001	1	5385-101-001	1
	13-1 Capscrew	797-0293	2	797-0293	2
	13-2 Lockwasher	950-0354	2	950-0354	2
	13-3 Jam Nut	661-0012	1	661-0012	1
	13-4 Lockwasher	950-0114	1	950-0114	1
14	Adapter (optional)		1		1
	1-5/8" Motor Shaft	5384-101-008			
	1-7/8" Motor Shaft	5384-101-007			
	2-1/8" Motor Shaft	5384-101-010		5385-101-008	
	2-3/8" Motor Shaft			5385-101-007	
15	Conduit Box	5200-101-011	1	5200-101-011	1

\*See page 235 for specific part numbers.

Refer to Service Manual P-211.

These units when used with the correct Warner Electric conduit box, meets the standards of UL508 and are listed under guide care #NMTR, file #59164. These units are CSA Certified under file #LR11543.