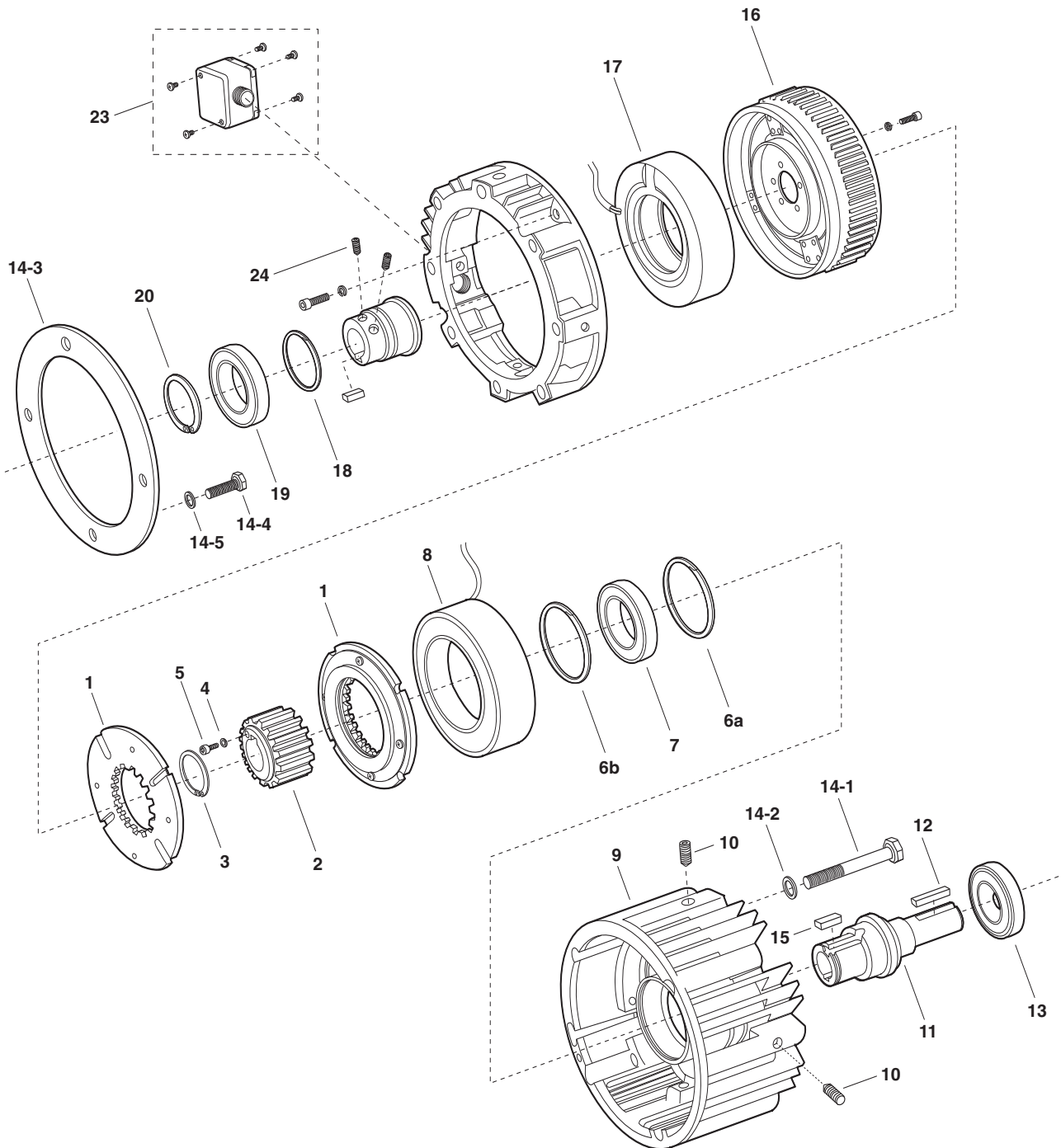



UM-1020 Clutch/Brake Combination



 **INDUSTRIAL MAGZA** MEX (55) 53 63 23 31 MTY (81) 83 54 10 18
DIST. AUTORIZADO QRO (442) 1 95 72 60 ventas@industrialmagza.com

Service Parts

UM-1020 Clutch/Brake Combination

Component Parts

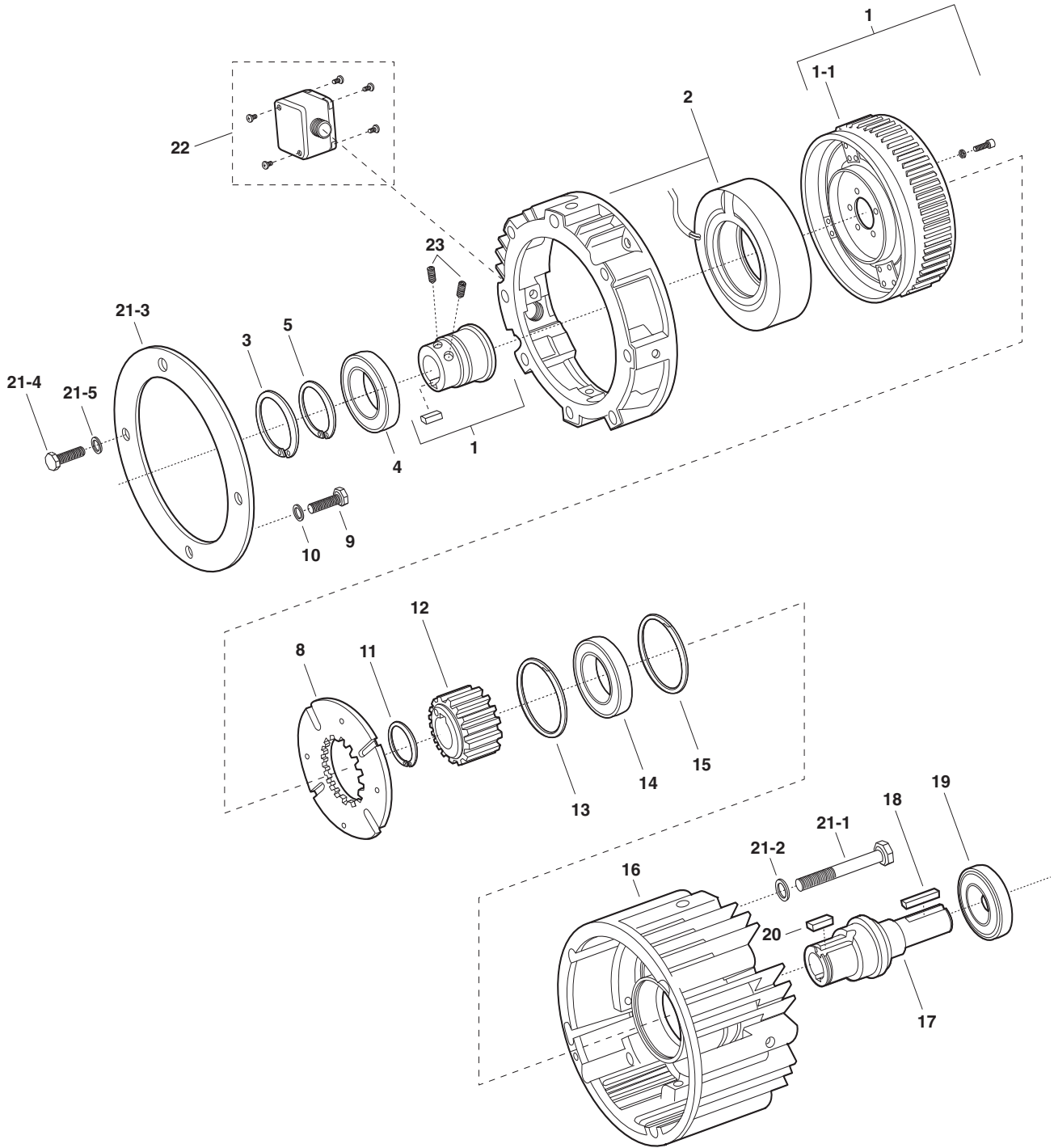
Item	Description	UM-50		UM-100		UM-180		UM-210		UM-215	
		Part No.	Qty.	Part No.	Qty.	Part No.	Qty.	Part No.	Qty.	Part No.	Qty.
1	Armature Assembly	5370-111-011	2	5370-111-013	2	5370-111-013	2	5371-111-005	2	5371-111-005	2
2	Armature Hub	540-1638	1	540-1642	1	540-1642	1	540-0741	1	540-0741	1
3	Retaining Ring	748-0445	1	748-0676	1	748-0676	1				
4	Lockwasher							950-0372	6	950-0372	6
5	Capscrew							797-0081	6	797-0081	6
6a	Retaining Ring	748-0113	1	748-0101	1	748-0101	1	748-0112	1	748-0112	1
6b	Retaining Ring	748-0113	1								
7	Ball Bearing	166-0149	1	166-0101	1	166-0101	1	166-0142	1	166-0142	1
8	Magnet		1		1		1		1		1
	6 volt	5370-631-008		5370-631-002		5370-631-002		5371-631-002		5371-631-002	
	24 volt	5370-631-010		5370-631-005		5370-631-005		5371-631-005		5371-631-005	
	90 volt	5370-631-007		5370-631-003		5370-631-003		5371-631-003		5371-631-003	
	Housing	535-0165	1	535-0162	1	535-0162	1	535-0163	1	535-0163	1
10	Setscrew	797-0471	4	797-0471	4	797-0471	4	797-0471	4	797-0471	4
11	Shaft	798-0046	1	798-0128	1	798-0085	1	798-0051	1	798-0254	1
12	Key	590-0029	1	590-0029	1	590-0029	1	590-0019	1	590-0124	1
13	Ball Bearing	166-0155	1	166-0143	1	166-0143	1	166-0144	1	166-0144	1
14	Mounting Accessory	5370-101-040	1	5370-101-040	1	5370-101-040	1	5371-101-020	1	5371-101-020	1
	14-1 Capscrew	797-1378	4	797-1378	4	797-1378	4	797-1440	4	797-1440	4
	14-2 Washer	950-0354	4	950-0354	4	950-0354	4	950-0111	4	950-0111	4
	14-3 Adapter			807-0218	1			104-0321	1	104-0321	1
	14-4 Capscrew							797-1442	4	797-1442	4
	14-5 Washer							950-0101	4	950-0101	4
15	Key	590-0043	1	590-0084	1	590-0084	1				
16	Rotor Assembly (with fan and hub)	5370-751-019	1	5370-751-022	1	5370-751-017	1	5371-751-012	1	5371-751-031	1
17	Field (with housing)		1		1		1		1		1
	6 volt	5370-451-062		5370-451-057		5370-451-057		5371-451-027		5371-451-027	
	24 volt	5370-451-064		5370-451-059		5370-451-059		5371-451-029		5371-451-029	
	90 volt	5370-451-063		5370-451-058		5370-451-058		5371-451-028		5371-451-028	
18	Retaining Ring	748-0101	1	748-0101	1	748-0101	1	748-0558	1	748-0558	1
19	Bearing	166-0150	1	166-0101	1	166-0101	1	166-0168	1	166-0168	1
20	Retaining Ring	748-0018	1	748-0001	1	748-0001	1	748-0067	1	748-0067	1
23	Conduit Box (Optional)	5370-101-042	1	5370-101-042	1	5370-101-042	1	5370-101-042	1	5370-101-042	1
24	Set Screw	797-1098	2	797-0069	2	797-0069	2	797-1098	2	797-1098	2
	Key	5370-101-072	1	5370-101-072	1	5370-101-072	1	5371-101-043	1	5371-101-044	1


Refer to Service Manual P-213.

These units meet the standards of UL 508 and are listed under guide card #NMTR 2, file #59164. These units are CSA certified under file #LR11543.

Note: As of June, 2000 all rotors are manufactured as a single piece design. The rotor assembly part number remains the same and now includes the hub and set screws.

UM-1040 Clutch Combination



 **INDUSTRIAL MAGZA** MEX (55) 53 63 23 31 MTY (81) 83 54 10 18
DIST. AUTORIZADO QRO (442) 1 95 72 60 ventas@industrialmagza.com

Service Parts

UM-1040 Clutch Combination

Component Parts

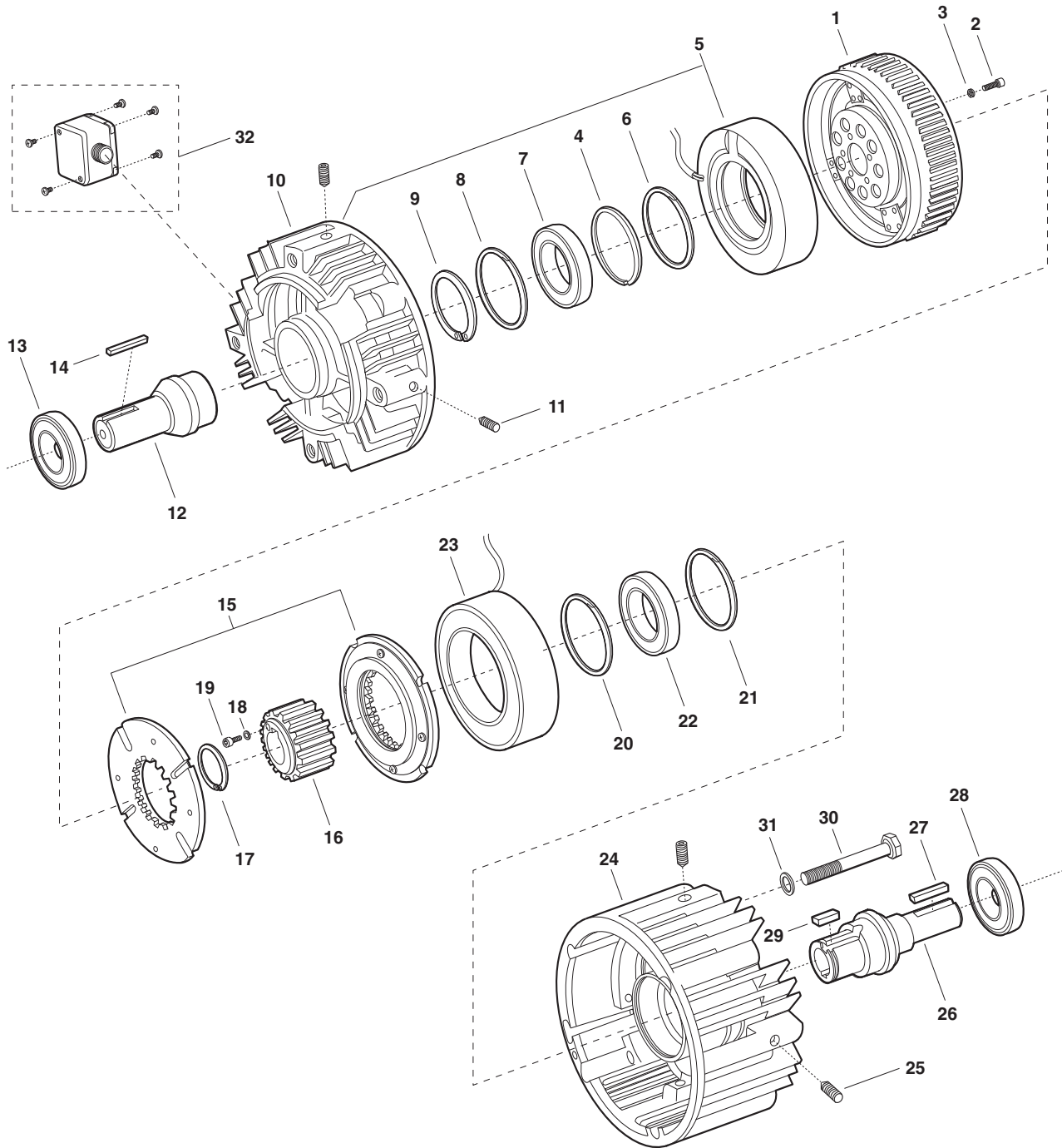
Item	Description	UM-50		UM-100		UM-180		UM-210		UM-215	
		Part No.	Qty.	Part No.	Qty.	Part No.	Qty.	Part No.	Qty.	Part No.	Qty.
1	Rotor Assembly (with fan and hub)	5370-751-019	1	5370-751-022	1	5370-751-017	1	5371-751-012	1	5371-751-031	1
2	Field (with housing)		1		1		1		1		1
	6 volt	5370-451-062		5370-451-057		5370-451-057		5371-451-027		5371-451-027	
	24 volt	5370-451-064		5370-451-059		5370-451-059		5371-451-029		5371-451-029	
	90 volt	5370-451-063		5370-451-058		5370-451-058		5371-451-028		5371-451-028	
3	Retaining Ring	748-0101	1	748-0101	1	748-0101	1	748-0558	1	748-0558	1
4	Bearing	166-0150	1	166-0101	1	166-0101	1	166-0168	1	166-0168	1
5	Retaining Ring	748-0018	1	748-0001	1	748-0001	1	748-0067	1	748-0067	1
8	Armature Assembly	5370-111-011	1	5370-111-013	1	5370-111-013	1	5371-111-005	1	5371-111-005	1
9	Capscrew							797-0081	6	797-0081	6
10	Lockwasher							950-0372	6	950-0372	6
11	Retaining Ring	748-0445	1	748-0676	1	748-0676	1				
12	Hub	540-1638	1	540-1642	1	540-1642	1	540-0741	1	540-0741	1
13	Retaining Ring	748-0113	1	748-0101	1	748-0101	1	748-0112	1	748-0112	1
14	Ball Bearing	166-0149	1	166-0101	1	166-0101	1	166-0142	1	166-0142	1
15	Retaining Ring	748-0113	1								
16	Housing	535-0167	1	535-0168	1	535-0168	1	535-0169	1	535-0169	1
17	Shaft	798-0046	1	798-0128	1	798-0085	1	798-0051	1	798-0254	1
18	Key	590-0029	1	590-0029	1	590-0029	1	590-0019	1	590-0124	1
19	Ball Bearing	166-0155	1	166-0143	1	166-0143	1	166-0144	1	166-0144	1
20	Key	590-0043	1	590-0084	1	590-0084	1				
21	Mounting Accessory	5370-101-040	1	5370-101-040	1	5370-101-040	1	5371-101-020	1	5371-101-020	1
	21-1 Capscrew	797-1378	4	797-1378	4	797-1378	4	797-1440	4	797-1440	4
	21-2 Lockwasher	950-0354	4	950-0354	4	950-0354	4	950-0111	4	950-0111	4
	21-3 Adapter			807-0218	1			104-0321	1	104-0321	1
	21-4 Capscrew							797-1442	4	797-1442	4
	21-5 Lockwasher							950-0101	4	950-0101	4
22	Conduit Box (Optional)	5370-101-042	1	5370-101-042	1	5370-101-042	1	5370-101-042	1	5370-101-042	1
23	Set Screw	797-1098	2	797-0069	2	797-0069	2	797-1098	2	797-1098	2
	Key	5370-101-072	1	5370-101-072	1	5370-101-072	1	5371-101-043	1	5371-101-044	1

Refer to Service Manual P-213.

These units meet the standards of UL 508 and are listed under guide card #NMTR 2, file #59164. These units are CSA certified under file #LR11543.

Note: As of June, 2000 all rotors are manufactured as a single piece design. The rotor assembly part number remains the same and now includes the hub and set screws.

UM-2030 Clutch/Brake Combination



INDUSTRIAL MAGZA MEX (55) 53 63 23 31 MTY (81) 83 54 10 18
 DIST. AUTORIZADO QRO (442) 1 95 72 60 ventas@industrialmagza.com

Service Parts

UM-2030 Clutch/Brake Combination

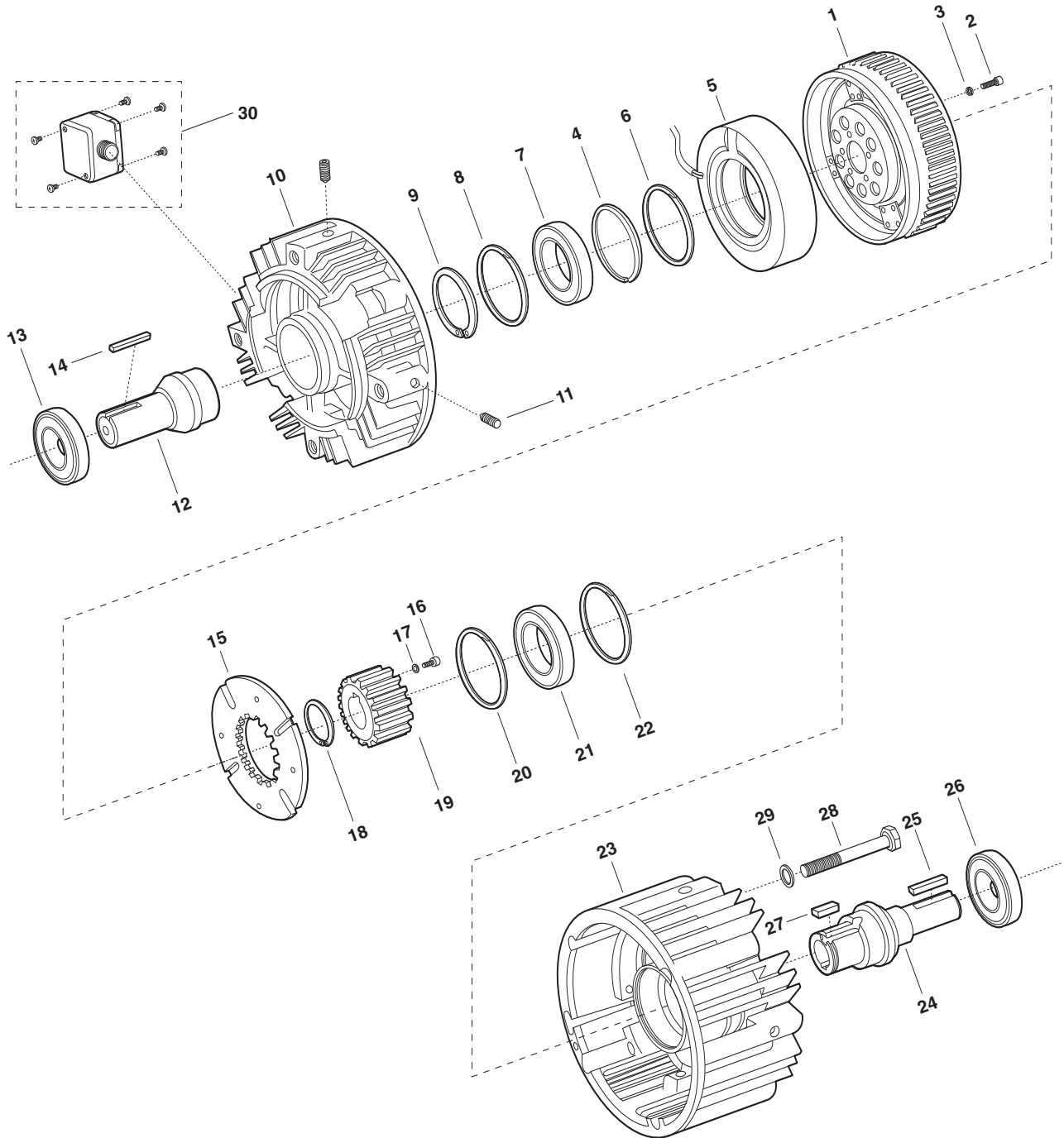
Component Parts


Item	Description	UM-50		UM-100		UM-180		UM-210		UM-215	
		Part No.	Qty.	Part No.	Qty.	Part No.	Qty.	Part No.	Qty.	Part No.	Qty.
1	Rotor Assembly w/fan	5370-751-006	1	5370-751-009	1	5370-751-009	1	5371-751-007	1	5371-751-007	1
2	Capscrew	797-1294	4	797-1214	5	797-1214	5	797-0083	6	797-0083	6
3	Lockwasher	950-0436	4	950-0436	5	950-0436	5	950-0372	6	950-0372	6
4	Spacer			807-0062	1	807-0062	1	807-0061	1	807-0061	1
5	Field (with housing UM-50-2030 only)		1		1		1		1		1
	6 volt	5370-451-072		5370-451-007		5370-451-007		5371-451-002		5371-451-002	
	24 volt	5370-451-074		5370-451-005		5370-451-005		5371-451-005		5371-451-005	
	90 volt	5370-451-073		5370-451-008		5370-451-008		5371-451-003		5371-451-003	
6	Retaining Ring	748-0113	1	748-0101	1	748-0101	1	748-0112	1	748-0112	1
7	Ball Bearing	166-0149	1	166-0101	1	166-0101	1	166-0142	1	166-0142	1
8	Retaining Ring	748-0113	1								
9	Retaining Ring	748-0017	1								
10	Housing			535-0164	1	535-0164	1	535-0129	1	535-0129	1
11	Setscrew			797-0471	4	797-0471	4	797-0471	4	797-0471	4
12	Shaft	798-0047	1	798-0129	1	798-0124	1	798-0123	1	798-0255	1
13	Bearing	166-0155	1	166-0143	1	166-0143	1	166-0144	1	166-0144	1
14	Key	590-0029	1	590-0029	1	590-0029	1	590-0019	1	590-0124	1
15	Armature Assembly	5370-111-011	2	5370-111-013	2	5370-111-013	2	5371-111-005	2	5371-111-005	2
16	Armature Hub	540-1638	1	540-1642	1	540-1642	1	540-0741	1	540-0741	1
17	Retaining Ring	748-0445	1	748-0676	1	748-0676	1				
18	Lockwasher							950-0372	6	950-0372	6
19	Capscrew							797-0081	6	797-0081	6
20	Retaining Ring	748-0113	1	748-0101	1	748-0101	1	748-0112	1	748-0112	1
21	Retaining Ring	748-0113	1								
22	Ball Bearing	166-0149	1	166-0101	1	166-0101	1	166-0142	1	166-0142	1
23	Magnet		1		1		1		1		1
	6 volt	5370-631-008		5370-631-002		5370-631-002		5371-631-002		5371-631-002	
	24 volt	5370-631-010		5370-631-005		5370-631-005		5371-631-005		5371-631-005	
	90 volt	5370-631-007		5370-631-003		5370-631-003		5371-631-003		5371-631-003	
24	Housing	535-0165	1	535-0162	1	535-0162	1	535-0163	1	535-0163	1
25	Setscrew	797-0471	4	797-0471	4	797-0471	4	797-0471	4	797-0471	4
26	Shaft	798-0046	1	798-0128	1	798-0085	1	798-0051	1	798-0251	1
27	Key	590-0029	1	590-0029	1	590-0029	1	590-0019	1	590-0124	1
28	Ball Bearing	166-0155	1	166-0143	1	166-0143	1	166-0144	1	166-0144	1
29	Key	590-0043	1	590-0084	1	590-0084	1				
30	Capscrew	797-0353	4	797-0353	4	797-0353	4	797-1075	4	797-1075	4
31	Lockwasher	950-0354	4	950-0354	4	950-0354	4	950-0032	4	950-0032	4
32	Conduit Box (Optional)	5370-101-042	1	5370-101-042	1	5370-101-042	1	5370-101-042	1	5370-101-042	1

Refer to Service Manual P-213.

These units meet the standards of UL 508 and are listed under guide card #NMTR2, file #59164. These units are CSA certified under file #LR11543.

UM-3040 Clutch Combination-Base Mounted



 **INDUSTRIAL MAGZA** MEX (55) 53 63 23 31 MTY (81) 83 54 10 18
DIST. AUTORIZADO QRO (442) 1 95 72 60 ventas@industrialmagza.com

Service Parts

UM-3040 Clutch Combination–Base Mounted

Component Parts

Item	Description	UM-50		UM-100		UM-180		UM-210		UM-215	
		Part No.	Qty.	Part No.	Qty.	Part No.	Qty.	Part No.	Qty.	Part No.	Qty.
1	Rotor Assembly w/fan	5370-751-006	1	5370-751-009	1	5370-751-009	1	5371-751-007	1	5371-751-007	1
2	Capscrew	797-1294	4	797-1214	5	797-1214	5	797-0083	6	797-0083	6
3	Lockwasher	950-0436	4	950-0436	5	950-0436	5	950-0372	6	950-0372	6
4	Spacer			807-0062	1	807-0062	1	807-0061	1	807-0061	1
5	Field (with housing UM-50-3040 only)		1		1		1		1		1
	6 volt	5370-451-072		5370-451-007		5370-451-007		5371-451-002		5371-451-002	
	24 volt	5370-451-074		5370-451-005		5370-451-005		5371-451-005		5371-451-005	
	90 volt	5370-451-073		5370-451-008		5370-451-008		5371-451-003		5371-451-003	
6	Retaining Ring	748-0113	1	748-0101	1	748-0101	1	748-0112	1	748-0112	1
7	Ball Bearing	166-0149	1	166-0101	1	166-0101	1	166-0142	1	166-0142	1
8	Retaining Ring	748-0113	1								
9	Retaining Ring	748-0017	1								
10	Housing			535-0164	1	535-0164	4	535-0129	1	535-0129	1
11	Setscrew			797-0471	4	797-0471	4	797-0471	4	797-0471	4
12	Shaft	798-0047	1	798-0129	1	798-0124	1	798-0123	1	798-0255	1
13	Bearing	166-0155	1	166-0143	1	166-0143	1	166-0144	1	166-0144	1
14	Key	590-0029	1	590-0029	1	590-0029	1	590-0019	1	590-0124	1
15	Armature Assembly	5370-111-011	1	5370-111-013	1	5370-111-013	1	5371-111-005	1	5371-111-005	1
16	Capscrew							797-0081	6	797-0081	6
17	Lockwasher							950-0372	6	950-0372	6
18	Retaining Ring	748-0445	1	748-0676	1	748-0676	1				
19	Hub	540-1638	1	540-1642	1	540-1642	1	540-0741	1	540-0741	1
20	Retaining Ring	748-0113	1	748-0101	1	748-0101	1	748-0112	1	748-0112	1
21	Ball Bearing	166-0149	1	166-0101	1	166-0101	1	166-0142	1	166-0142	1
22	Retaining Ring	748-0113	1								
23	Housing	535-0167	1	535-0168	1	535-0168	1	535-0169	1	535-0169	1
24	Shaft	798-0046	1	798-0128	1	798-0085	1	798-0051	1	798-0251	1
25	Key	590-0029	1	590-0029	1	590-0029	1	590-0019	1	590-0124	1
26	Ball Bearing	166-0155	1	166-0143	1	166-0143	1	166-0144	1	166-0144	1
27	Key	590-0043	1	590-0084	1	590-0084	1				
28	Capscrew	797-0353	4	797-0353	4	797-0353	4	797-1075	4	797-1075	4
29	Lockwasher	950-0354	4	950-0354	4	950-0354	4	950-0032	4	950-0032	4
30	Conduit Box (Optional)	5370-101-042	1	5370-101-042	1	5370-101-042	1	5370-101-042	1	5370-101-042	1

Refer to Service Manual P-213.

These units meet the standards of UL 508 and are listed under guide card #NMTR2, file #59164. These units are CSA certified under file #LR11543.