

Note: As of June, 2000 all rotors are manufactured as a single piece design. The rotor assembly part number remains the same and now includes the hub and set screws.

Component Parts

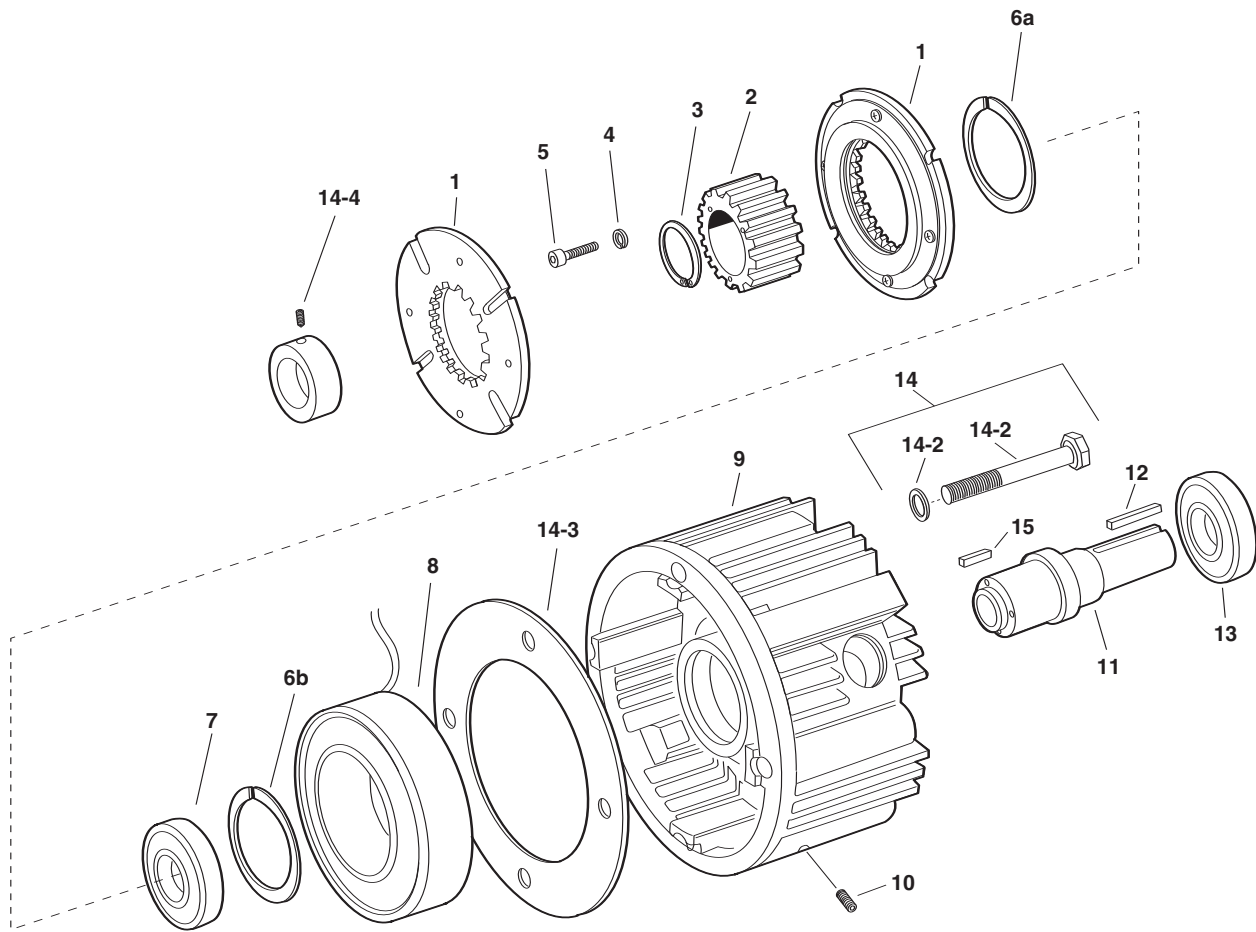
| Item | Description | EM-50 | | EM-100 | | EM-180 | | EM-210 | |
|------|----------------------------|--------------|------|--------------|------|--------------|------|--------------|------|
| | | Part No. | Qty. | Part No. | Qty. | Part No. | Qty. | Part No. | Qty. |
| 1* | Rotor Assembly w/fan & hub | 5370-751-010 | 1 | 5370-751-013 | 1 | 5370-751-007 | 1 | 5371-751-005 | 1 |
| | Field | | 1 | | 1 | | 1 | | 1 |
| 2 | 6 volt | 5370-451-011 | | 5370-451-021 | | 5370-451-021 | | 5371-451-010 | |
| | 24 volt | 5370-451-014 | | 5370-451-024 | | 5370-451-024 | | 5371-451-013 | |
| | 90 volt | 5370-451-012 | | 5370-451-022 | | 5370-451-022 | | 5371-451-011 | |
| 3 | Setscrew | | | | | | | 797-0471 | 4 |
| 4 | Adapter | | | | | | | 104-0096 | 1 |
| | Mounting Accessory | 5370-101-028 | 1 | 5370-101-013 | 1 | 5370-101-013 | 1 | 5371-101-008 | 1 |
| 5 | 5-1 Capscrew | 797-0293 | 4 | 797-0293 | 4 | 797-0293 | 4 | 797-1078 | 4 |
| | 5-2 Lockwasher | 950-0128 | 4 | 950-0128 | 4 | 950-0128 | 4 | 950-0101 | 4 |
| | 5-3 Capscrew | | | | | | | 797-1075 | 4 |
| | 5-4 Lockwasher | | | | | | | 950-0032 | 4 |

*Shipped Assembled

Refer to Service Manual P-213.

These units meet the standards of UL 508 and are listed under guide card #NMTR2, file #59164. These units are CSA certified under file #LR11543.

20 Brake Module



INDUSTRIAL MAGZA MEX (55) 53 63 23 31 MTY (81) 83 54 10 18
DIST. AUTORIZADO QRO (442) 1 95 72 60 ventas@industrialmagza.com

Service Parts

Component Parts

| Item | Description | EM-50 | | EM-100 | | EM-180 | | EM-210 | | EM-215 | |
|------|-----------------------|--------------|------|--------------|------|--------------|------|--------------|------|--------------|------|
| | | Part No. | Qty. | Part No. | Qty. | Part No. | Qty. | Part No. | Qty. | Part No. | Qty. |
| 1 | Armature | 5370-111-011 | 2 | 5370-111-013 | 2 | 5370-111-013 | 2 | 5371-111-005 | 2 | 5371-111-005 | 1 |
| 2 | Armature Hub | 540-1638 | 1 | 540-1684 | 1 | 540-1642 | 1 | 540-0741 | 1 | 540-2039 | 1 |
| 3 | Retaining Ring | 748-0445 | 1 | 748-0676 | 1 | 748-0676 | 1 | | | | |
| 4 | Lockwasher | | | | | | | 950-0372 | 6 | 950-0372 | 6 |
| 5 | Capscrew | | | | | | | 797-0081 | 6 | 797-008 | 6 |
| 6a | Retaining Ring | 748-0113 | 1 | 748-0101 | 1 | 748-0101 | 1 | 748-0112 | 1 | 748-0112 | 1 |
| 6b | Retaining Ring | 748-0113 | 1 | | | | | | | 748-2002 | 1 |
| 7 | Ball Bearing | 166-0149 | 1 | 166-0101 | 1 | 166-0101 | 1 | 166-0142 | 1 | 166-0142 | 1 |
| 8 | Magnet | | 1 | | 1 | | 1 | | 1 | | |
| | 6 Volt | 5370-631-008 | | 5370-631-002 | | 5370-631-002 | | 5371-631-002 | | | |
| | 24 Volt | 5370-631-010 | | 5370-631-005 | | 5370-631-005 | | 5371-631-005 | | | |
| | 90 Volt | 5370-631-007 | | 5370-631-003 | | 5370-631-003 | | 5371-631-003 | | 5371-631-003 | 1 |
| 9 | Housing | 535-0130 | 1 | 535-0132 | 1 | 535-0132 | 1 | 535-0033 | 1 | 535-0033 | 1 |
| 10 | Setscrew | 797-0471 | 4 | 797-0471 | 4 | 797-0471 | 4 | 797-0471 | 4 | 797-0471 | 4 |
| 11 | Shaft | 798-0045 | 1 | 798-0127 | 1 | 798-0086 | 1 | 798-0050 | 1 | 798-0268 | 1 |
| 12 | Key - Output | 590-0029 | 1 | 590-0029 | 1 | 590-0029 | 1 | 590-0019 | 1 | 590-0124 | 1 |
| 13 | Ball Bearing | 166-0155 | 1 | 166-0143 | 1 | 166-0143 | 1 | 166-0144 | 1 | 166-0144 | 1 |
| 14 | Mounting Accessory | 5370-101-017 | 1 | 5370-101-017 | 1 | 5370-101-023 | 1 | 5371-101-007 | 1 | 5371-101-007 | 1 |
| | 14-1 Capscrew | 797-0353 | 4 | 797-0353 | 4 | 797-0353 | 4 | 797-1081 | 4 | 797-1081 | 4 |
| | 14-2 Washer | 950-0354 | 4 | 950-0354 | 4 | 950-0354 | 4 | 950-0033 | 4 | 950-0033 | 4 |
| | 14-3 Spacer | | | | | 807-0218 | 1 | | | | |
| | 14-4 Collar | | | | | 266-0002 | 1 | 266-0003 | 1 | 266-0003 | 1 |
| 15 | Key | 590-0043 | 1 | 590-0084 | 1 | 590-0084 | 1 | | | | |
| | Key Accessory - Input | 5370-101-072 | 1 | 5370-101-072 | 1 | 5370-101-072 | 1 | 5371-101-043 | 1 | 5371-101-044 | 1 |

Refer to Service Manual P-213.

These units meet the standards of UL 508 and are listed under guide card #NMTR2, file #59164. These units are CSA certified under file #LR11543.



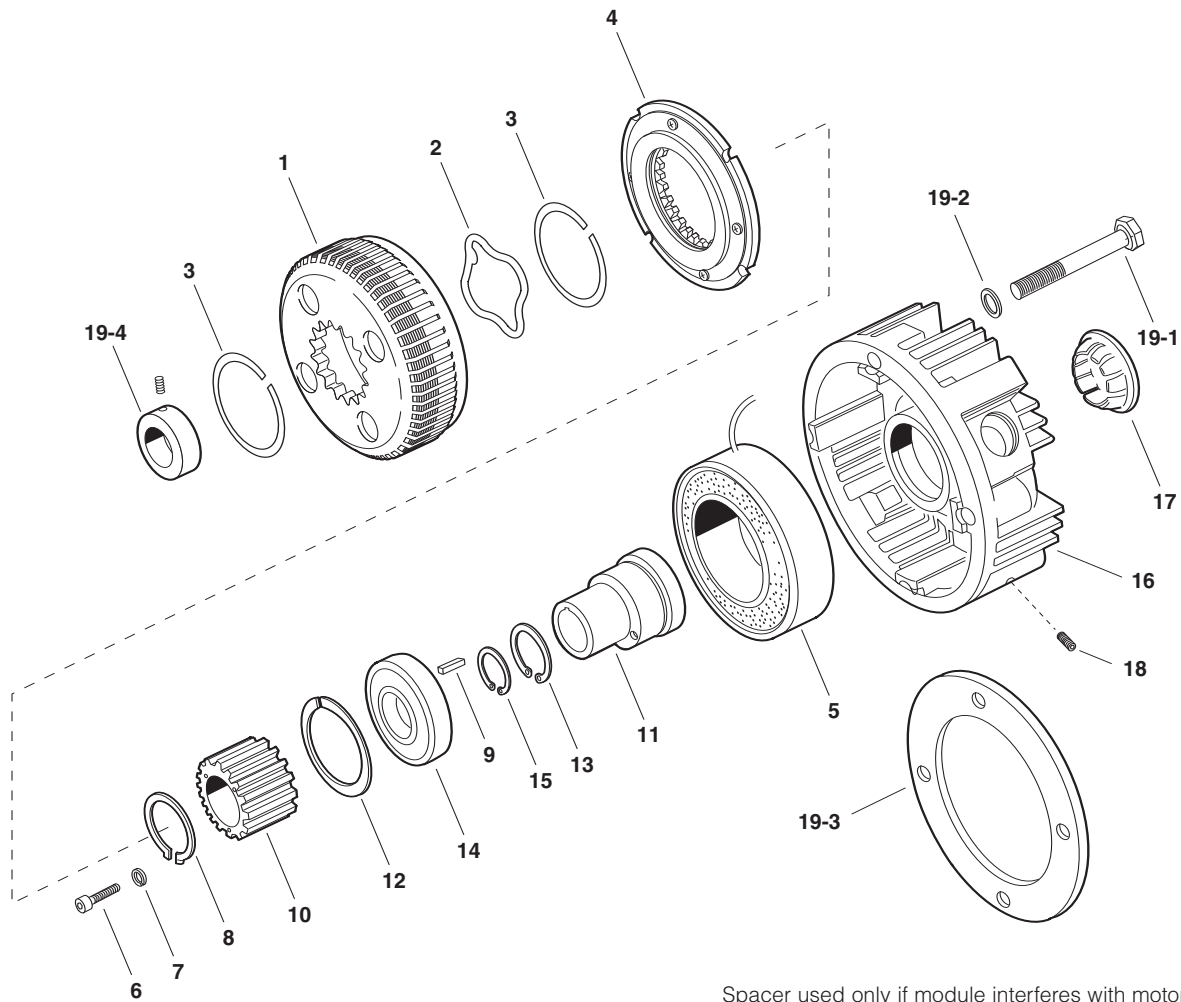
INDUSTRIAL MAGZA
DIST. AUTORIZADO

MEX (55) 53 63 23 31 MTY (81) 83 54 10 18
QRO (442) 1 95 72 60 ventas@industrialmagza.com

Service Parts

Warner Electric 800-234-3369

EM-50-20MB, EM-180-20MB, EM-210-20MB



Spacer used only if module interferes with motor housing.

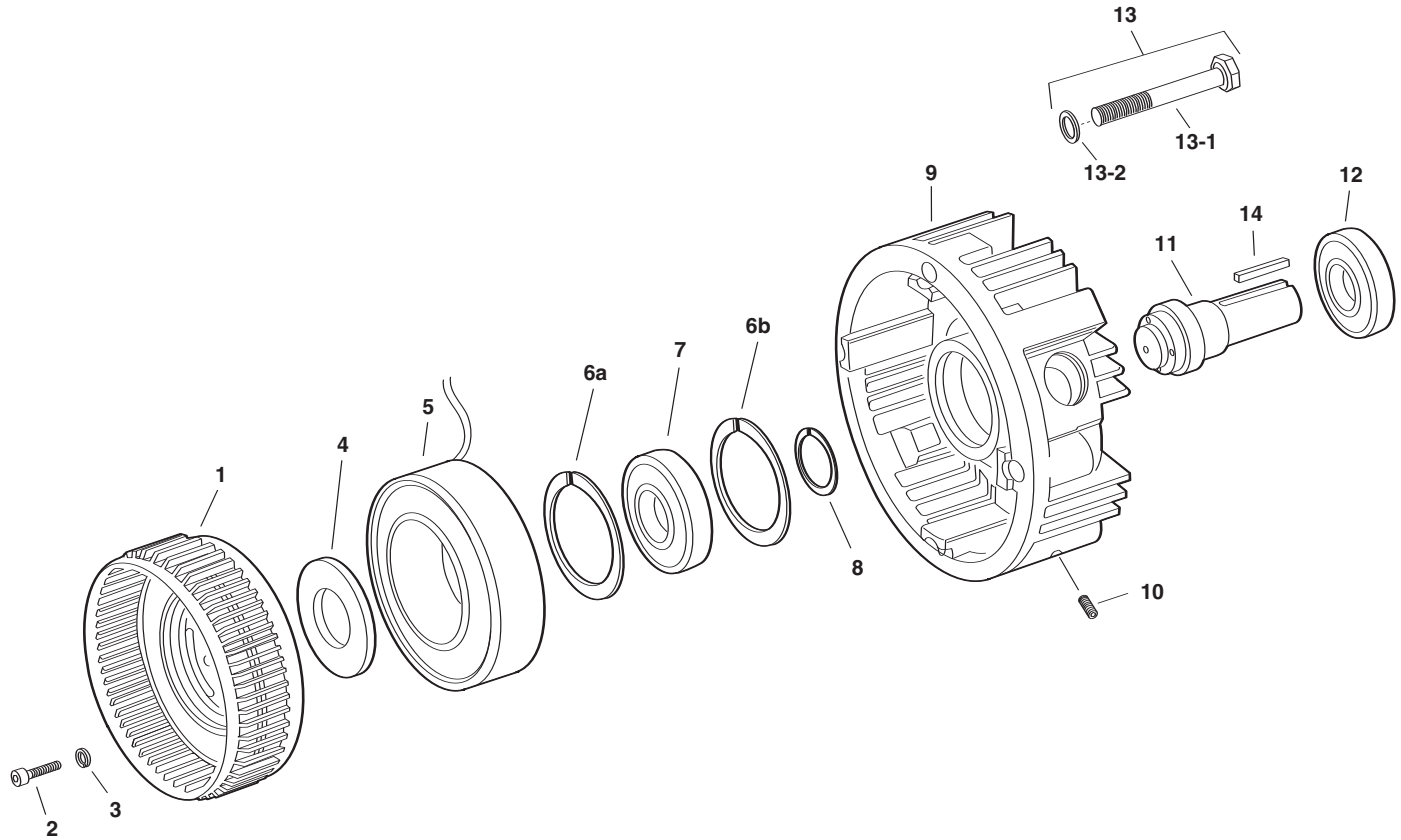
Component Parts

| Item | Description | EM-50 | | EM-180 | | EM-210 | |
|------|-----------------------|--------------|------|--------------|------|--------------|------|
| | | Part No. | Qty. | Part No. | Qty. | Part No. | Qty. |
| 1 | Fan Assembly | 5370-104-002 | 1 | 5370-104-001 | 1 | 748-1052 | 1 |
| 2 | Follow-up Spring | 808-0104 | 1 | 808-0107 | 1 | 808-0109 | 1 |
| 3 | Retaining Ring | 748-0440 | 2 | 748-0450 | 2 | 748-0455 | 2 |
| 4 | Armature | 5370-111-011 | 1 | 5370-111-013 | 1 | 5371-111-005 | 1 |
| 5 | Magnet | | | | | | |
| | 6 Volt | 5370-631-008 | 11 | 5370-631-002 | 1 | 5371-631-002 | 1 |
| | 24 Volt | 5370-631-010 | 1 | 5370-631-005 | 1 | 5371-631-005 | 1 |
| | 90 Volt | 5370-631-007 | 1 | 5370-631-003 | 1 | 5371-631-003 | 1 |
| 6 | Capscrew | | | | | 797-0081 | 6 |
| 7 | Lockwasher | | | | | 950-0372 | 6 |
| 8 | Retaining Ring | 748-0445 | 1 | | | | |
| 9 | Key | 590-0043 | 1 | 590-0084 | 1 | | |
| 10 | Splined Hub | 540-1646 | 1 | 540-1647 | 1 | 540-2041 | 1 |
| 11 | Hub | 540-1018 | 1 | 540-0726 | 1 | 540-1020 | 1 |
| 12 | Retaining Ring | 748-0113 | 2 | 748-0101 | 1 | 748-0112 | 1 |
| 13 | Retaining Ring | | | 748-0676 | 1 | | |
| 14 | Bearing | 166-0149 | 1 | 166-0101 | 1 | 166-0142 | 1 |
| 15 | Retaining Ring | 748-0556 | 1 | 748-0555 | 1 | 748-0554 | 1 |
| 16 | Housing | 535-0136 | 1 | 535-0134 | 1 | 535-0050 | 1 |
| 17 | Plug | 680-0028 | 1 | 680-0028 | 1 | 680-0027 | 1 |
| 18 | Setscrew | 797-0471 | 4 | 797-0471 | 4 | 797-0471 | 4 |
| 19 | Mounting Accessory | 5370-101-017 | 1 | 5370-101-023 | 1 | 5371-101-007 | 1 |
| | 19-1 Capscrew | 797-0353 | 4 | 797-0353 | 4 | 797-1081 | 4 |
| | 19-2 Lockwasher | 950-0354 | 4 | 950-0354 | 4 | 950-0033 | 4 |
| | 19-3 Spacer | | | 807-0218 | 1 | | |
| | 19-4 Collar | | | 266-0002 | 1 | 266-0003 | 1 |
| | Key Accessory - Input | 5370-101-073 | 1 | 5370-101-073 | 1 | 5371-101-043 | 1 |

Refer to Service Manual P-213.

These units meet the standards of UL 508 and are listed under guide card #NMTR2, file #59164. These units are CSA certified under file #LR11543.

30 Input Clutch Module



Component Parts

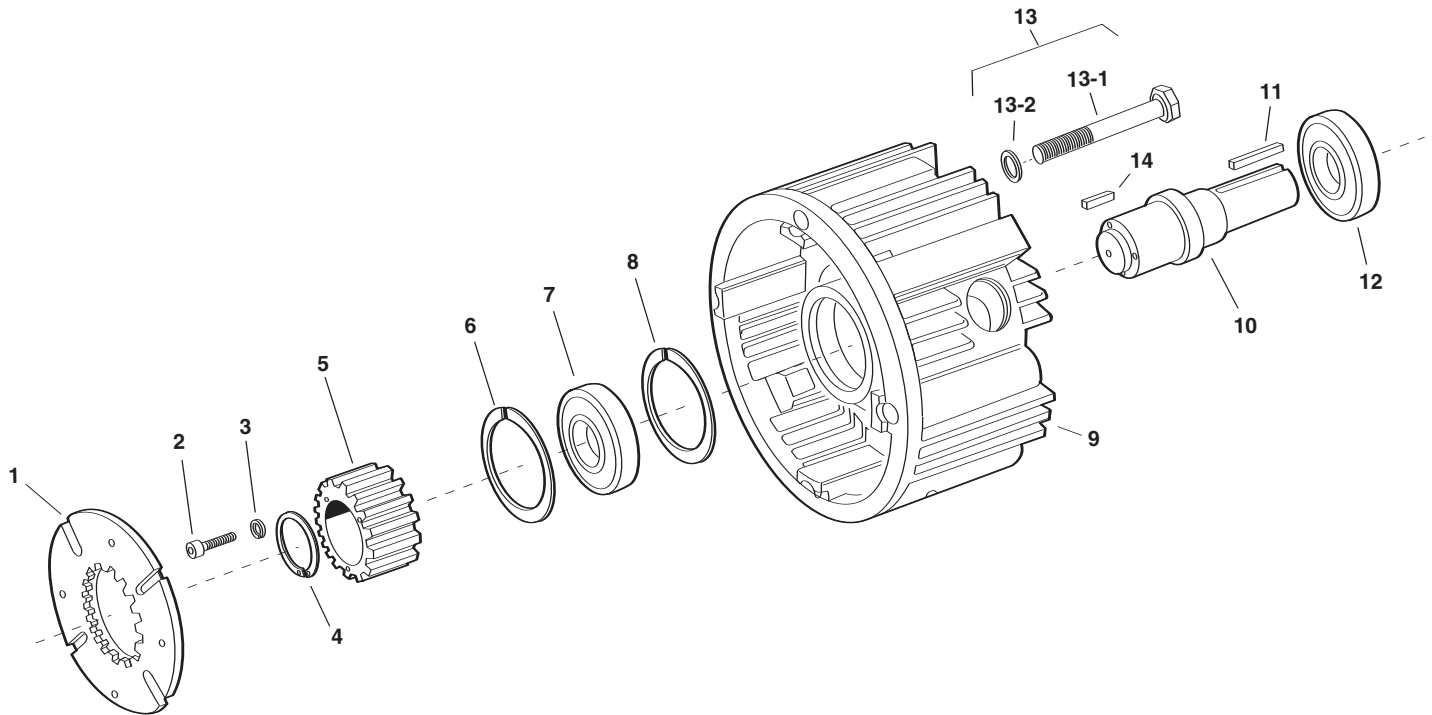
| Item | Description | EM-50 | | EM-100 | | EM-180 | | EM-210 | |
|------|------------------------------------|--------------|------|--------------|------|--------------|------|--------------|------|
| | | Part No. | Qty. | Part No. | Qty. | Part No. | Qty. | Part No. | Qty. |
| 1 | Rotor Assembly w/fan | 5370-751-006 | 1 | 5370-751-009 | 1 | 5370-751-009 | 1 | 5371-751-007 | 1 |
| 2 | Capscrew | 797-1039 | 4 | 797-1214 | 5 | 797-1214 | 5 | 797-0083 | 6 |
| 3 | Lockwasher | 950-0436 | 4 | 950-0436 | 5 | 950-0436 | 5 | 950-0372 | 6 |
| 4 | Spacer | | | 807-0062 | 1 | 807-0062 | 1 | 807-0061 | 1 |
| 5 | Field (with housing EM-50-30 only) | | 1 | | 1 | | 1 | | 1 |
| | 6 volt | 5370-451-072 | | 5370-451-007 | | 5370-451-007 | | 5371-451-002 | |
| | 24 volt | 5370-451-074 | | 5370-451-005 | | 5370-451-005 | | 5371-451-005 | |
| | 90 volt | 5370-451-073 | | 5370-451-008 | | 5370-451-008 | | 5371-451-003 | |
| 6a | Retaining Ring | 748-0113 | 1 | 748-0101 | 1 | 748-0101 | 1 | 748-0112 | 1 |
| 6b | Retaining Ring | 748-0113 | 1 | | | | | | |
| 7 | Ball Bearing | 166-0149 | 1 | 166-0101 | 1 | 166-0101 | 1 | 166-0142 | 1 |
| 8 | Retaining Ring | 748-0017 | 1 | | | | | | |
| 9 | Housing | | | 535-0164 | 1 | 535-0164 | 1 | 535-0129 | 1 |
| 10 | Setscrew | 797-0471 | 4 | 797-0471 | 4 | 797-0471 | 4 | 797-0471 | 4 |
| 11 | Shaft | 798-0047 | 1 | 798-0129 | 1 | 798-0124 | 1 | 798-0123 | 1 |
| 12 | Ball Bearing | 166-0155 | 1 | 166-0143 | 1 | 166-0143 | 1 | 166-0144 | 1 |
| 13 | Mounting Accessory | | | | | | | 5371-101-010 | 1 |
| | 13-1 Capscrew | | | | | | | 797-1075 | 4 |
| | 13-2 Lockwasher | | | | | | | 950-0032 | 4 |
| 14 | Key | 590-0029 | 1 | 590-0029 | 1 | 590-0029 | 1 | 590-0019 | 1 |

Refer to Service Manual P-213.

These units meet the standards of UL 508 and are listed under guide card #NMTR2, file #59164. These units are CSA certified under file #LR11543.

Service Parts

40 Output Clutch Module



Component Parts

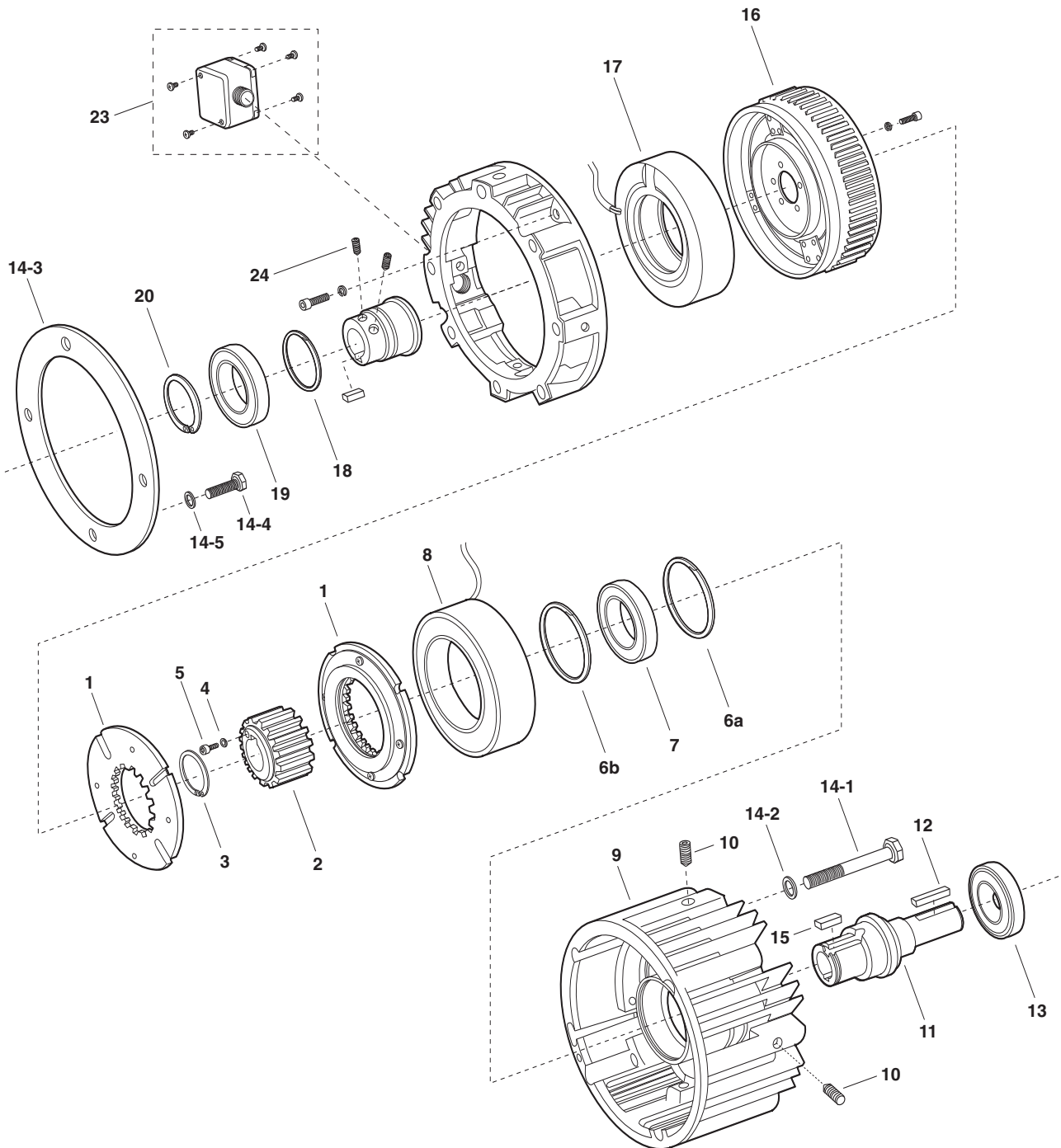
| Item | Description | EM-50 | | EM-100 | | EM-180 | | EM-210 | |
|------|-----------------------|--------------|------|--------------|------|--------------|------|--------------|------|
| | | Part No. | Qty. | Part No. | Qty. | Part No. | Qty. | Part No. | Qty. |
| 1 | Armature | 5370-111-011 | 1 | 5370-111-013 | 1 | 5370-111-013 | 1 | 5371-111-005 | 1 |
| 2 | Capscrew | | | | | | | 797-0081 | 1 |
| 3 | Lockwasher | | | | | | | 950-0372 | 6 |
| 4 | Retaining Ring | 748-0445 | 1 | 748-0676 | 1 | 748-0676 | 1 | | |
| 5 | Hub | 540-1638 | 1 | 540-1642 | 1 | 540-1642 | 1 | 540-0741 | 1 |
| 6 | Retaining Ring | 748-0113 | 1 | 748-0101 | 1 | 748-0101 | 1 | 748-0112 | 1 |
| 7 | Ball Bearing | 166-0149 | 1 | 166-0101 | 1 | 166-0101 | 1 | 166-0142 | 1 |
| 8 | Retaining Ring | 748-0113 | 2 | | | | | | |
| 9 | Housing | 535-0131 | 1 | 535-0133 | 1 | 535-0133 | 1 | 535-0034 | 1 |
| 10 | Shaft | 798-0046 | 1 | 798-0128 | 1 | 798-0085 | 1 | 798-0051 | 1 |
| 11 | Key | 590-0029 | 1 | 590-0029 | 1 | 590-0029 | 1 | 590-0019 | 1 |
| 12 | Ball Bearing | 166-0155 | 1 | 166-0143 | 1 | 166-0143 | 1 | 166-0144 | 1 |
| 13 | Mounting Accessory | 5370-101-017 | 1 | 5370-101-017 | 1 | 5370-101-017 | 1 | | |
| | 13-1 Capscrew | 797-0353 | 4 | 797-0353 | 4 | 797-0353 | 4 | | |
| | 13-2 Lockwasher | 950-0354 | 4 | 950-0354 | 4 | 950-0354 | 4 | | |
| 14 | Key | 590-0043 | 1 | 590-0084 | 1 | 590-0084 | 1 | | |
| | Key Accessory - Input | 5370-101-072 | 1 | 5370-101-072 | 1 | 5370-101-072 | 1 | 5371-101-043 | 1 |


Refer to Service Manual P-213.

These units meet the standards of UL 508 and are listed under guide card #NMTR2, file #59164. These units are CSA certified under file #LR11543.

Service Parts

UM-1020 Clutch/Brake Combination



 **INDUSTRIAL MAGZA** MEX (55) 53 63 23 31 MTY (81) 83 54 10 18
DIST. AUTORIZADO QRO (442) 1 95 72 60 ventas@industrialmagza.com

Service Parts

UM-1020 Clutch/Brake Combination

Component Parts

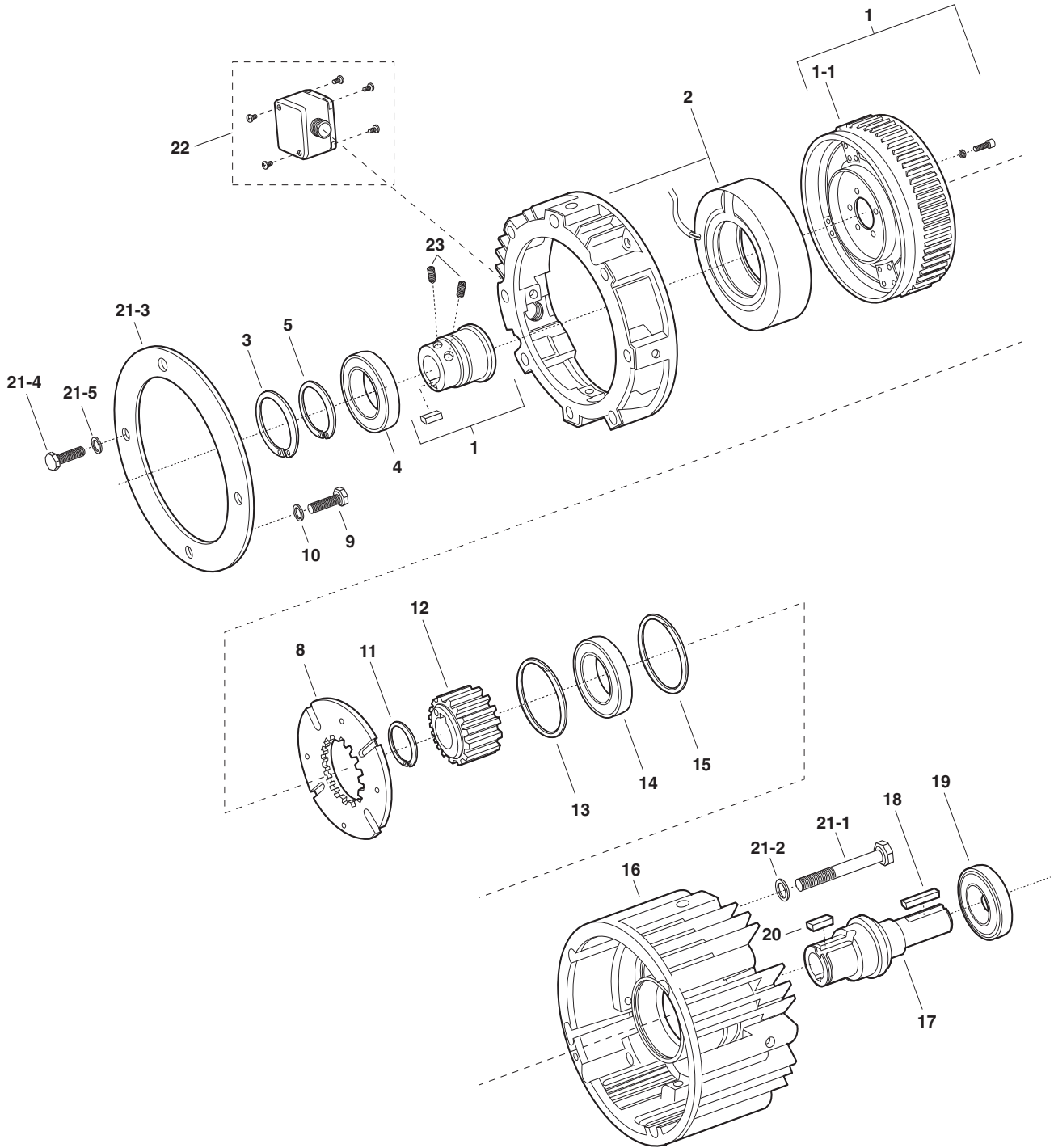
| Item | Description | UM-50 | | UM-100 | | UM-180 | | UM-210 | | UM-215 | |
|------|-----------------------------------|--------------|------|--------------|------|--------------|------|--------------|------|--------------|------|
| | | Part No. | Qty. | Part No. | Qty. | Part No. | Qty. | Part No. | Qty. | Part No. | Qty. |
| 1 | Armature Assembly | 5370-111-011 | 2 | 5370-111-013 | 2 | 5370-111-013 | 2 | 5371-111-005 | 2 | 5371-111-005 | 2 |
| 2 | Armature Hub | 540-1638 | 1 | 540-1642 | 1 | 540-1642 | 1 | 540-0741 | 1 | 540-0741 | 1 |
| 3 | Retaining Ring | 748-0445 | 1 | 748-0676 | 1 | 748-0676 | 1 | | | | |
| 4 | Lockwasher | | | | | | | 950-0372 | 6 | 950-0372 | 6 |
| 5 | Capscrew | | | | | | | 797-0081 | 6 | 797-0081 | 6 |
| 6a | Retaining Ring | 748-0113 | 1 | 748-0101 | 1 | 748-0101 | 1 | 748-0112 | 1 | 748-0112 | 1 |
| 6b | Retaining Ring | 748-0113 | 1 | | | | | | | | |
| 7 | Ball Bearing | 166-0149 | 1 | 166-0101 | 1 | 166-0101 | 1 | 166-0142 | 1 | 166-0142 | 1 |
| 8 | Magnet | | 1 | | 1 | | 1 | | 1 | | 1 |
| | 6 volt | 5370-631-008 | | 5370-631-002 | | 5370-631-002 | | 5371-631-002 | | 5371-631-002 | |
| | 24 volt | 5370-631-010 | | 5370-631-005 | | 5370-631-005 | | 5371-631-005 | | 5371-631-005 | |
| | 90 volt | 5370-631-007 | | 5370-631-003 | | 5370-631-003 | | 5371-631-003 | | 5371-631-003 | |
| 9 | Housing | 535-0165 | 1 | 535-0162 | 1 | 535-0162 | 1 | 535-0163 | 1 | 535-0163 | 1 |
| 10 | Setscrew | 797-0471 | 4 | 797-0471 | 4 | 797-0471 | 4 | 797-0471 | 4 | 797-0471 | 4 |
| 11 | Shaft | 798-0046 | 1 | 798-0128 | 1 | 798-0085 | 1 | 798-0051 | 1 | 798-0254 | 1 |
| 12 | Key | 590-0029 | 1 | 590-0029 | 1 | 590-0029 | 1 | 590-0019 | 1 | 590-0124 | 1 |
| 13 | Ball Bearing | 166-0155 | 1 | 166-0143 | 1 | 166-0143 | 1 | 166-0144 | 1 | 166-0144 | 1 |
| 14 | Mounting Accessory | 5370-101-040 | 1 | 5370-101-040 | 1 | 5370-101-040 | 1 | 5371-101-020 | 1 | 5371-101-020 | 1 |
| | 14-1 Capscrew | 797-1378 | 4 | 797-1378 | 4 | 797-1378 | 4 | 797-1440 | 4 | 797-1440 | 4 |
| | 14-2 Washer | 950-0354 | 4 | 950-0354 | 4 | 950-0354 | 4 | 950-0111 | 4 | 950-0111 | 4 |
| | 14-3 Adapter | | | 807-0218 | 1 | | | 104-0321 | 1 | 104-0321 | 1 |
| | 14-4 Capscrew | | | | | | | 797-1442 | 4 | 797-1442 | 4 |
| | 14-5 Washer | | | | | | | 950-0101 | 4 | 950-0101 | 4 |
| 15 | Key | 590-0043 | 1 | 590-0084 | 1 | 590-0084 | 1 | | | | |
| 16 | Rotor Assembly (with fan and hub) | 5370-751-019 | 1 | 5370-751-022 | 1 | 5370-751-017 | 1 | 5371-751-012 | 1 | 5371-751-031 | 1 |
| 17 | Field (with housing) | | 1 | | 1 | | 1 | | 1 | | 1 |
| | 6 volt | 5370-451-062 | | 5370-451-057 | | 5370-451-057 | | 5371-451-027 | | 5371-451-027 | |
| | 24 volt | 5370-451-064 | | 5370-451-059 | | 5370-451-059 | | 5371-451-029 | | 5371-451-029 | |
| | 90 volt | 5370-451-063 | | 5370-451-058 | | 5370-451-058 | | 5371-451-028 | | 5371-451-028 | |
| 18 | Retaining Ring | 748-0101 | 1 | 748-0101 | 1 | 748-0101 | 1 | 748-0558 | 1 | 748-0558 | 1 |
| 19 | Bearing | 166-0150 | 1 | 166-0101 | 1 | 166-0101 | 1 | 166-0168 | 1 | 166-0168 | 1 |
| 20 | Retaining Ring | 748-0018 | 1 | 748-0001 | 1 | 748-0001 | 1 | 748-0067 | 1 | 748-0067 | 1 |
| 23 | Conduit Box (Optional) | 5370-101-042 | 1 | 5370-101-042 | 1 | 5370-101-042 | 1 | 5370-101-042 | 1 | 5370-101-042 | 1 |
| 24 | Set Screw | 797-1098 | 2 | 797-0069 | 2 | 797-0069 | 2 | 797-1098 | 2 | 797-1098 | 2 |
| | Key | 5370-101-072 | 1 | 5370-101-072 | 1 | 5370-101-072 | 1 | 5371-101-043 | 1 | 5371-101-044 | 1 |


Refer to Service Manual P-213.

These units meet the standards of UL 508 and are listed under guide card #NMTR 2, file #59164. These units are CSA certified under file #LR11543.

Note: As of June, 2000 all rotors are manufactured as a single piece design. The rotor assembly part number remains the same and now includes the hub and set screws.

UM-1040 Clutch Combination



 **INDUSTRIAL MAGZA** MEX (55) 53 63 23 31 MTY (81) 83 54 10 18
DIST. AUTORIZADO QRO (442) 1 95 72 60 ventas@industrialmagza.com

Service Parts

Component Parts

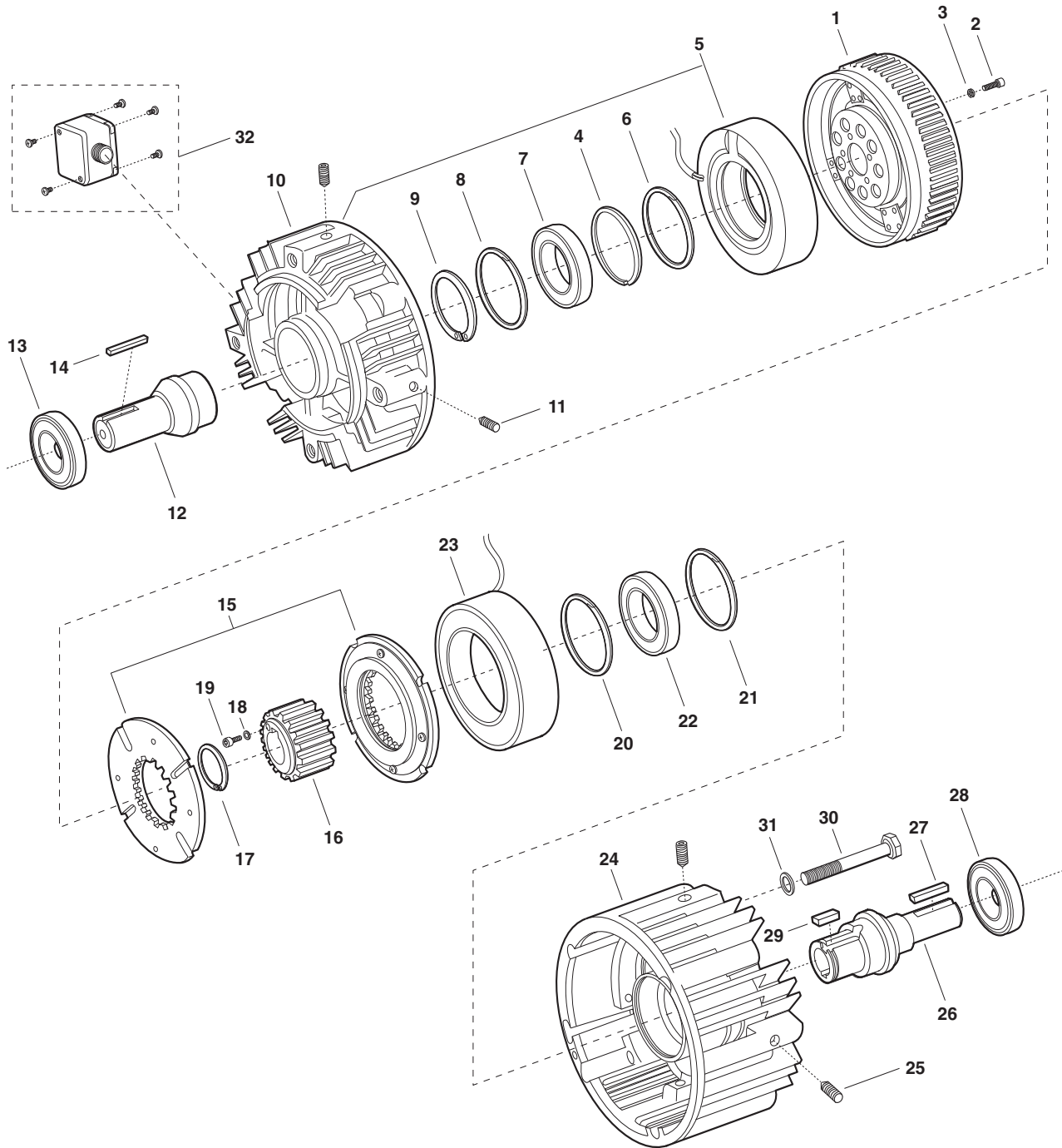
| Item | Description | UM-50 | | UM-100 | | UM-180 | | UM-210 | | UM-215 | |
|------|-----------------------------------|--------------|------|--------------|------|--------------|------|--------------|------|--------------|------|
| | | Part No. | Qty. | Part No. | Qty. | Part No. | Qty. | Part No. | Qty. | Part No. | Qty. |
| 1 | Rotor Assembly (with fan and hub) | 5370-751-019 | 1 | 5370-751-022 | 1 | 5370-751-017 | 1 | 5371-751-012 | 1 | 5371-751-031 | 1 |
| 2 | Field (with housing) | | 1 | | 1 | | 1 | | 1 | | 1 |
| | 6 volt | 5370-451-062 | | 5370-451-057 | | 5370-451-057 | | 5371-451-027 | | 5371-451-027 | |
| | 24 volt | 5370-451-064 | | 5370-451-059 | | 5370-451-059 | | 5371-451-029 | | 5371-451-029 | |
| | 90 volt | 5370-451-063 | | 5370-451-058 | | 5370-451-058 | | 5371-451-028 | | 5371-451-028 | |
| 3 | Retaining Ring | 748-0101 | 1 | 748-0101 | 1 | 748-0101 | 1 | 748-0558 | 1 | 748-0558 | 1 |
| 4 | Bearing | 166-0150 | 1 | 166-0101 | 1 | 166-0101 | 1 | 166-0168 | 1 | 166-0168 | 1 |
| 5 | Retaining Ring | 748-0018 | 1 | 748-0001 | 1 | 748-0001 | 1 | 748-0067 | 1 | 748-0067 | 1 |
| 8 | Armature Assembly | 5370-111-011 | 1 | 5370-111-013 | 1 | 5370-111-013 | 1 | 5371-111-005 | 1 | 5371-111-005 | 1 |
| 9 | Capscrew | | | | | | | 797-0081 | 6 | 797-0081 | 6 |
| 10 | Lockwasher | | | | | | | 950-0372 | 6 | 950-0372 | 6 |
| 11 | Retaining Ring | 748-0445 | 1 | 748-0676 | 1 | 748-0676 | 1 | | | | |
| 12 | Hub | 540-1638 | 1 | 540-1642 | 1 | 540-1642 | 1 | 540-0741 | 1 | 540-0741 | 1 |
| 13 | Retaining Ring | 748-0113 | 1 | 748-0101 | 1 | 748-0101 | 1 | 748-0112 | 1 | 748-0112 | 1 |
| 14 | Ball Bearing | 166-0149 | 1 | 166-0101 | 1 | 166-0101 | 1 | 166-0142 | 1 | 166-0142 | 1 |
| 15 | Retaining Ring | 748-0113 | 1 | | | | | | | | |
| 16 | Housing | 535-0167 | 1 | 535-0168 | 1 | 535-0168 | 1 | 535-0169 | 1 | 535-0169 | 1 |
| 17 | Shaft | 798-0046 | 1 | 798-0128 | 1 | 798-0085 | 1 | 798-0051 | 1 | 798-0254 | 1 |
| 18 | Key | 590-0029 | 1 | 590-0029 | 1 | 590-0029 | 1 | 590-0019 | 1 | 590-0124 | 1 |
| 19 | Ball Bearing | 166-0155 | 1 | 166-0143 | 1 | 166-0143 | 1 | 166-0144 | 1 | 166-0144 | 1 |
| 20 | Key | 590-0043 | 1 | 590-0084 | 1 | 590-0084 | 1 | | | | |
| 21 | Mounting Accessory | 5370-101-040 | 1 | 5370-101-040 | 1 | 5370-101-040 | 1 | 5371-101-020 | 1 | 5371-101-020 | 1 |
| | 21-1 Capscrew | 797-1378 | 4 | 797-1378 | 4 | 797-1378 | 4 | 797-1440 | 4 | 797-1440 | 4 |
| | 21-2 Lockwasher | 950-0354 | 4 | 950-0354 | 4 | 950-0354 | 4 | 950-0111 | 4 | 950-0111 | 4 |
| | 21-3 Adapter | | | 807-0218 | 1 | | | 104-0321 | 1 | 104-0321 | 1 |
| | 21-4 Capscrew | | | | | | | 797-1442 | 4 | 797-1442 | 4 |
| | 21-5 Lockwasher | | | | | | | 950-0101 | 4 | 950-0101 | 4 |
| 22 | Conduit Box (Optional) | 5370-101-042 | 1 | 5370-101-042 | 1 | 5370-101-042 | 1 | 5370-101-042 | 1 | 5370-101-042 | 1 |
| 23 | Set Screw | 797-1098 | 2 | 797-0069 | 2 | 797-0069 | 2 | 797-1098 | 2 | 797-1098 | 2 |
| | Key | 5370-101-072 | 1 | 5370-101-072 | 1 | 5370-101-072 | 1 | 5371-101-043 | 1 | 5371-101-044 | 1 |


Refer to Service Manual P-213.

These units meet the standards of UL 508 and are listed under guide card #NMTR 2, file #59164. These units are CSA certified under file #LR11543.

Note: As of June, 2000 all rotors are manufactured as a single piece design. The rotor assembly part number remains the same and now includes the hub and set screws.

UM-2030 Clutch/Brake Combination



 **INDUSTRIAL MAGZA** MEX (55) 53 63 23 31 MTY (81) 83 54 10 18
DIST. AUTORIZADO QRO (442) 1 95 72 60 ventas@industrialmagza.com

Service Parts

UM-2030 Clutch/Brake Combination

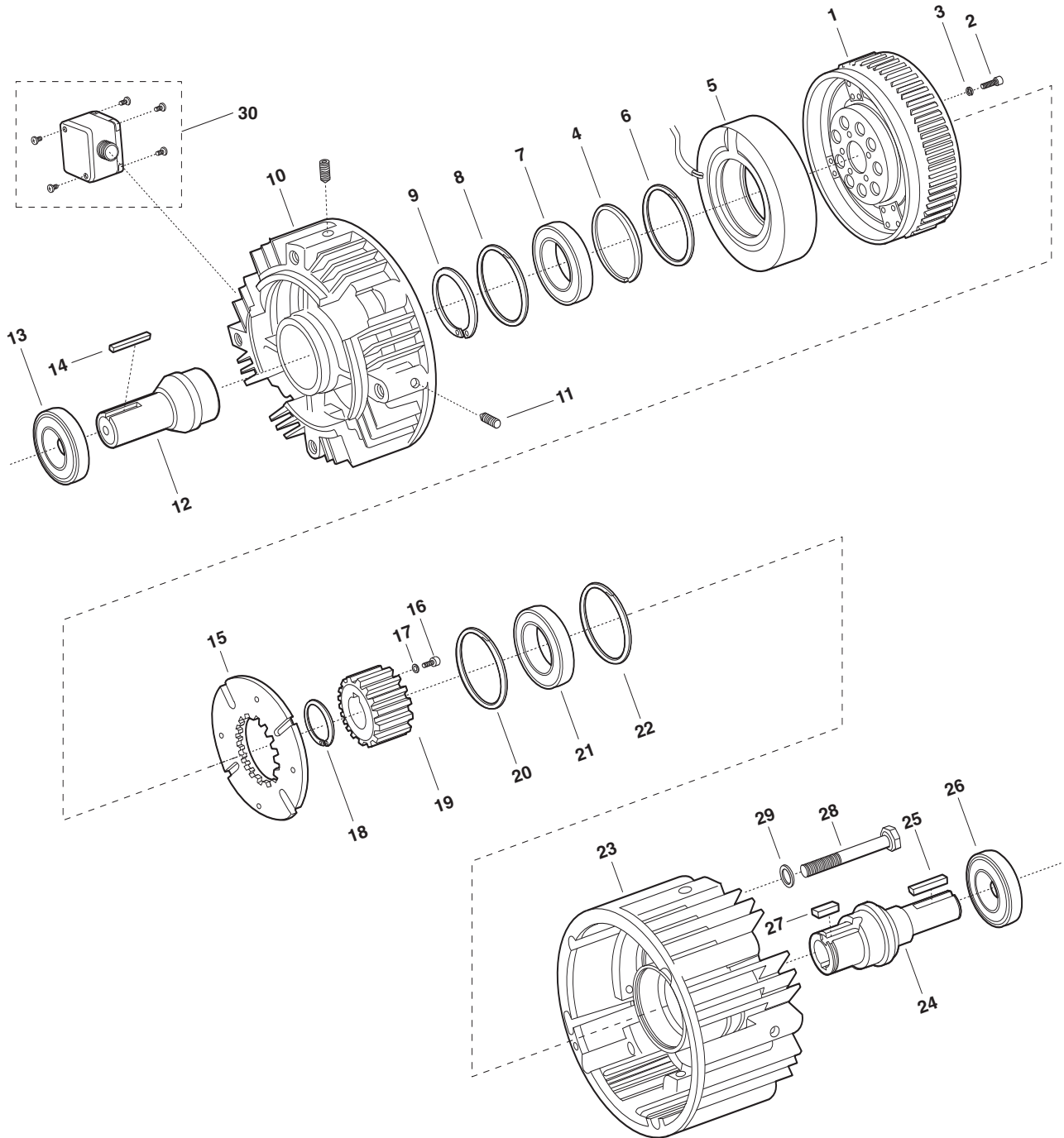
Component Parts


| Item | Description | UM-50 | | UM-100 | | UM-180 | | UM-210 | | UM-215 | |
|------|--------------------------------------|--------------|------|--------------|------|--------------|------|--------------|------|--------------|------|
| | | Part No. | Qty. | Part No. | Qty. | Part No. | Qty. | Part No. | Qty. | Part No. | Qty. |
| 1 | Rotor Assembly w/fan | 5370-751-006 | 1 | 5370-751-009 | 1 | 5370-751-009 | 1 | 5371-751-007 | 1 | 5371-751-007 | 1 |
| 2 | Capscrew | 797-1294 | 4 | 797-1214 | 5 | 797-1214 | 5 | 797-0083 | 6 | 797-0083 | 6 |
| 3 | Lockwasher | 950-0436 | 4 | 950-0436 | 5 | 950-0436 | 5 | 950-0372 | 6 | 950-0372 | 6 |
| 4 | Spacer | | | 807-0062 | 1 | 807-0062 | 1 | 807-0061 | 1 | 807-0061 | 1 |
| 5 | Field (with housing UM-50-2030 only) | | 1 | | 1 | | 1 | | 1 | | 1 |
| | 6 volt | 5370-451-072 | | 5370-451-007 | | 5370-451-007 | | 5371-451-002 | | 5371-451-002 | |
| | 24 volt | 5370-451-074 | | 5370-451-005 | | 5370-451-005 | | 5371-451-005 | | 5371-451-005 | |
| | 90 volt | 5370-451-073 | | 5370-451-008 | | 5370-451-008 | | 5371-451-003 | | 5371-451-003 | |
| 6 | Retaining Ring | 748-0113 | 1 | 748-0101 | 1 | 748-0101 | 1 | 748-0112 | 1 | 748-0112 | 1 |
| 7 | Ball Bearing | 166-0149 | 1 | 166-0101 | 1 | 166-0101 | 1 | 166-0142 | 1 | 166-0142 | 1 |
| 8 | Retaining Ring | 748-0113 | 1 | | | | | | | | |
| 9 | Retaining Ring | 748-0017 | 1 | | | | | | | | |
| 10 | Housing | | | 535-0164 | 1 | 535-0164 | 1 | 535-0129 | 1 | 535-0129 | 1 |
| 11 | Setscrew | | | 797-0471 | 4 | 797-0471 | 4 | 797-0471 | 4 | 797-0471 | 4 |
| 12 | Shaft | 798-0047 | 1 | 798-0129 | 1 | 798-0124 | 1 | 798-0123 | 1 | 798-0255 | 1 |
| 13 | Bearing | 166-0155 | 1 | 166-0143 | 1 | 166-0143 | 1 | 166-0144 | 1 | 166-0144 | 1 |
| 14 | Key | 590-0029 | 1 | 590-0029 | 1 | 590-0029 | 1 | 590-0019 | 1 | 590-0124 | 1 |
| 15 | Armature Assembly | 5370-111-011 | 2 | 5370-111-013 | 2 | 5370-111-013 | 2 | 5371-111-005 | 2 | 5371-111-005 | 2 |
| 16 | Armature Hub | 540-1638 | 1 | 540-1642 | 1 | 540-1642 | 1 | 540-0741 | 1 | 540-0741 | 1 |
| 17 | Retaining Ring | 748-0445 | 1 | 748-0676 | 1 | 748-0676 | 1 | | | | |
| 18 | Lockwasher | | | | | | | 950-0372 | 6 | 950-0372 | 6 |
| 19 | Capscrew | | | | | | | 797-0081 | 6 | 797-0081 | 6 |
| 20 | Retaining Ring | 748-0113 | 1 | 748-0101 | 1 | 748-0101 | 1 | 748-0112 | 1 | 748-0112 | 1 |
| 21 | Retaining Ring | 748-0113 | 1 | | | | | | | | |
| 22 | Ball Bearing | 166-0149 | 1 | 166-0101 | 1 | 166-0101 | 1 | 166-0142 | 1 | 166-0142 | 1 |
| 23 | Magnet | | 1 | | 1 | | 1 | | 1 | | 1 |
| | 6 volt | 5370-631-008 | | 5370-631-002 | | 5370-631-002 | | 5371-631-002 | | 5371-631-002 | |
| | 24 volt | 5370-631-010 | | 5370-631-005 | | 5370-631-005 | | 5371-631-005 | | 5371-631-005 | |
| | 90 volt | 5370-631-007 | | 5370-631-003 | | 5370-631-003 | | 5371-631-003 | | 5371-631-003 | |
| 24 | Housing | 535-0165 | 1 | 535-0162 | 1 | 535-0162 | 1 | 535-0163 | 1 | 535-0163 | 1 |
| 25 | Setscrew | 797-0471 | 4 | 797-0471 | 4 | 797-0471 | 4 | 797-0471 | 4 | 797-0471 | 4 |
| 26 | Shaft | 798-0046 | 1 | 798-0128 | 1 | 798-0085 | 1 | 798-0051 | 1 | 798-0251 | 1 |
| 27 | Key | 590-0029 | 1 | 590-0029 | 1 | 590-0029 | 1 | 590-0019 | 1 | 590-0124 | 1 |
| 28 | Ball Bearing | 166-0155 | 1 | 166-0143 | 1 | 166-0143 | 1 | 166-0144 | 1 | 166-0144 | 1 |
| 29 | Key | 590-0043 | 1 | 590-0084 | 1 | 590-0084 | 1 | | | | |
| 30 | Capscrew | 797-0353 | 4 | 797-0353 | 4 | 797-0353 | 4 | 797-1075 | 4 | 797-1075 | 4 |
| 31 | Lockwasher | 950-0354 | 4 | 950-0354 | 4 | 950-0354 | 4 | 950-0032 | 4 | 950-0032 | 4 |
| 32 | Conduit Box (Optional) | 5370-101-042 | 1 | 5370-101-042 | 1 | 5370-101-042 | 1 | 5370-101-042 | 1 | 5370-101-042 | 1 |

Refer to Service Manual P-213.

These units meet the standards of UL 508 and are listed under guide card #NMTR2, file #59164. These units are CSA certified under file #LR11543.

UM-3040 Clutch Combination–Base Mounted



 **INDUSTRIAL MAGZA** MEX (55) 53 63 23 31 MTY (81) 83 54 10 18
DIST. AUTORIZADO QRO (442) 1 95 72 60 ventas@industrialmagza.com

Service Parts

UM-3040 Clutch Combination–Base Mounted

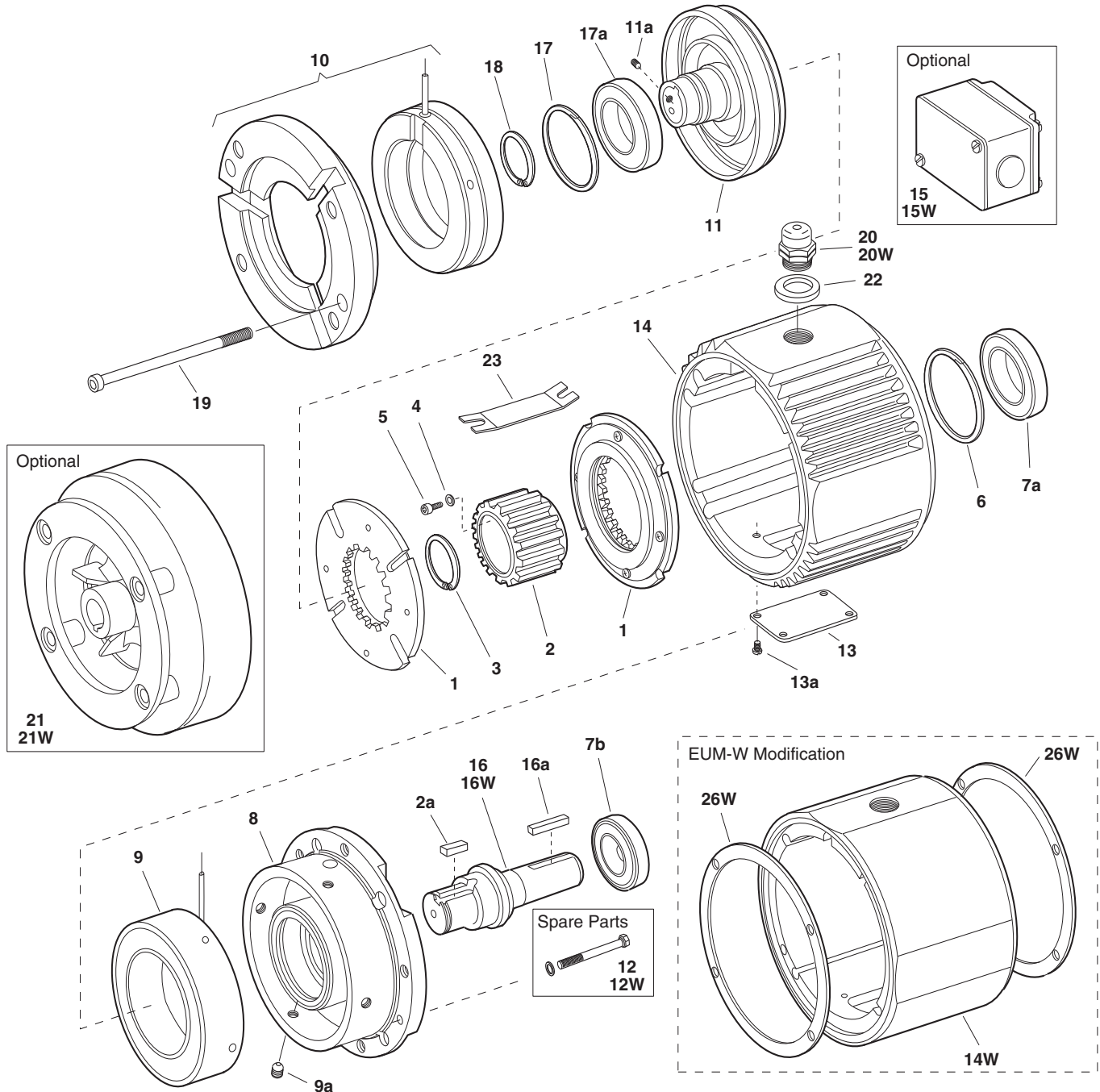
Component Parts

| Item | Description | UM-50 | | UM-100 | | UM-180 | | UM-210 | | UM-215 | |
|------|--------------------------------------|--------------|------|--------------|------|--------------|------|--------------|------|--------------|------|
| | | Part No. | Qty. | Part No. | Qty. | Part No. | Qty. | Part No. | Qty. | Part No. | Qty. |
| 1 | Rotor Assembly w/fan | 5370-751-006 | 1 | 5370-751-009 | 1 | 5370-751-009 | 1 | 5371-751-007 | 1 | 5371-751-007 | 1 |
| 2 | Capscrew | 797-1294 | 4 | 797-1214 | 5 | 797-1214 | 5 | 797-0083 | 6 | 797-0083 | 6 |
| 3 | Lockwasher | 950-0436 | 4 | 950-0436 | 5 | 950-0436 | 5 | 950-0372 | 6 | 950-0372 | 6 |
| 4 | Spacer | | | 807-0062 | 1 | 807-0062 | 1 | 807-0061 | 1 | 807-0061 | 1 |
| 5 | Field (with housing UM-50-3040 only) | | 1 | | 1 | | 1 | | 1 | | 1 |
| | 6 volt | 5370-451-072 | | 5370-451-007 | | 5370-451-007 | | 5371-451-002 | | 5371-451-002 | |
| | 24 volt | 5370-451-074 | | 5370-451-005 | | 5370-451-005 | | 5371-451-005 | | 5371-451-005 | |
| | 90 volt | 5370-451-073 | | 5370-451-008 | | 5370-451-008 | | 5371-451-003 | | 5371-451-003 | |
| 6 | Retaining Ring | 748-0113 | 1 | 748-0101 | 1 | 748-0101 | 1 | 748-0112 | 1 | 748-0112 | 1 |
| 7 | Ball Bearing | 166-0149 | 1 | 166-0101 | 1 | 166-0101 | 1 | 166-0142 | 1 | 166-0142 | 1 |
| 8 | Retaining Ring | 748-0113 | 1 | | | | | | | | |
| 9 | Retaining Ring | 748-0017 | 1 | | | | | | | | |
| 10 | Housing | | | 535-0164 | 1 | 535-0164 | 4 | 535-0129 | 1 | 535-0129 | 1 |
| 11 | Setscrew | | | 797-0471 | 4 | 797-0471 | 4 | 797-0471 | 4 | 797-0471 | 4 |
| 12 | Shaft | 798-0047 | 1 | 798-0129 | 1 | 798-0124 | 1 | 798-0123 | 1 | 798-0255 | 1 |
| 13 | Bearing | 166-0155 | 1 | 166-0143 | 1 | 166-0143 | 1 | 166-0144 | 1 | 166-0144 | 1 |
| 14 | Key | 590-0029 | 1 | 590-0029 | 1 | 590-0029 | 1 | 590-0019 | 1 | 590-0124 | 1 |
| 15 | Armature Assembly | 5370-111-011 | 1 | 5370-111-013 | 1 | 5370-111-013 | 1 | 5371-111-005 | 1 | 5371-111-005 | 1 |
| 16 | Capscrew | | | | | | | 797-0081 | 6 | 797-0081 | 6 |
| 17 | Lockwasher | | | | | | | 950-0372 | 6 | 950-0372 | 6 |
| 18 | Retaining Ring | 748-0445 | 1 | 748-0676 | 1 | 748-0676 | 1 | | | | |
| 19 | Hub | 540-1638 | 1 | 540-1642 | 1 | 540-1642 | 1 | 540-0741 | 1 | 540-0741 | 1 |
| 20 | Retaining Ring | 748-0113 | 1 | 748-0101 | 1 | 748-0101 | 1 | 748-0112 | 1 | 748-0112 | 1 |
| 21 | Ball Bearing | 166-0149 | 1 | 166-0101 | 1 | 166-0101 | 1 | 166-0142 | 1 | 166-0142 | 1 |
| 22 | Retaining Ring | 748-0113 | 1 | | | | | | | | |
| 23 | Housing | 535-0167 | 1 | 535-0168 | 1 | 535-0168 | 1 | 535-0169 | 1 | 535-0169 | 1 |
| 24 | Shaft | 798-0046 | 1 | 798-0128 | 1 | 798-0085 | 1 | 798-0051 | 1 | 798-0251 | 1 |
| 25 | Key | 590-0029 | 1 | 590-0029 | 1 | 590-0029 | 1 | 590-0019 | 1 | 590-0124 | 1 |
| 26 | Ball Bearing | 166-0155 | 1 | 166-0143 | 1 | 166-0143 | 1 | 166-0144 | 1 | 166-0144 | 1 |
| 27 | Key | 590-0043 | 1 | 590-0084 | 1 | 590-0084 | 1 | | | | |
| 28 | Capscrew | 797-0353 | 4 | 797-0353 | 4 | 797-0353 | 4 | 797-1075 | 4 | 797-1075 | 4 |
| 29 | Lockwasher | 950-0354 | 4 | 950-0354 | 4 | 950-0354 | 4 | 950-0032 | 4 | 950-0032 | 4 |
| 30 | Conduit Box (Optional) | 5370-101-042 | 1 | 5370-101-042 | 1 | 5370-101-042 | 1 | 5370-101-042 | 1 | 5370-101-042 | 1 |

Refer to Service Manual P-213.

These units meet the standards of UL 508 and are listed under guide card #NMTR2, file #59164. These units are CSA certified under file #LR11543.

EUM-1020 Clutch/Brake Combination EUM-W-1020 Clutch/Brake Combination



INDUSTRIAL MAGZA MEX (55) 53 63 23 31 MTY (81) 83 54 10 18
 DIST. AUTORIZADO QRO (442) 1 95 72 60 ventas@industrialmagza.com

Service Parts

Warner Electric 800-234-3369

EUM-1020 Clutch/Brake Combination EUM-W-1020 Clutch/Brake Combination

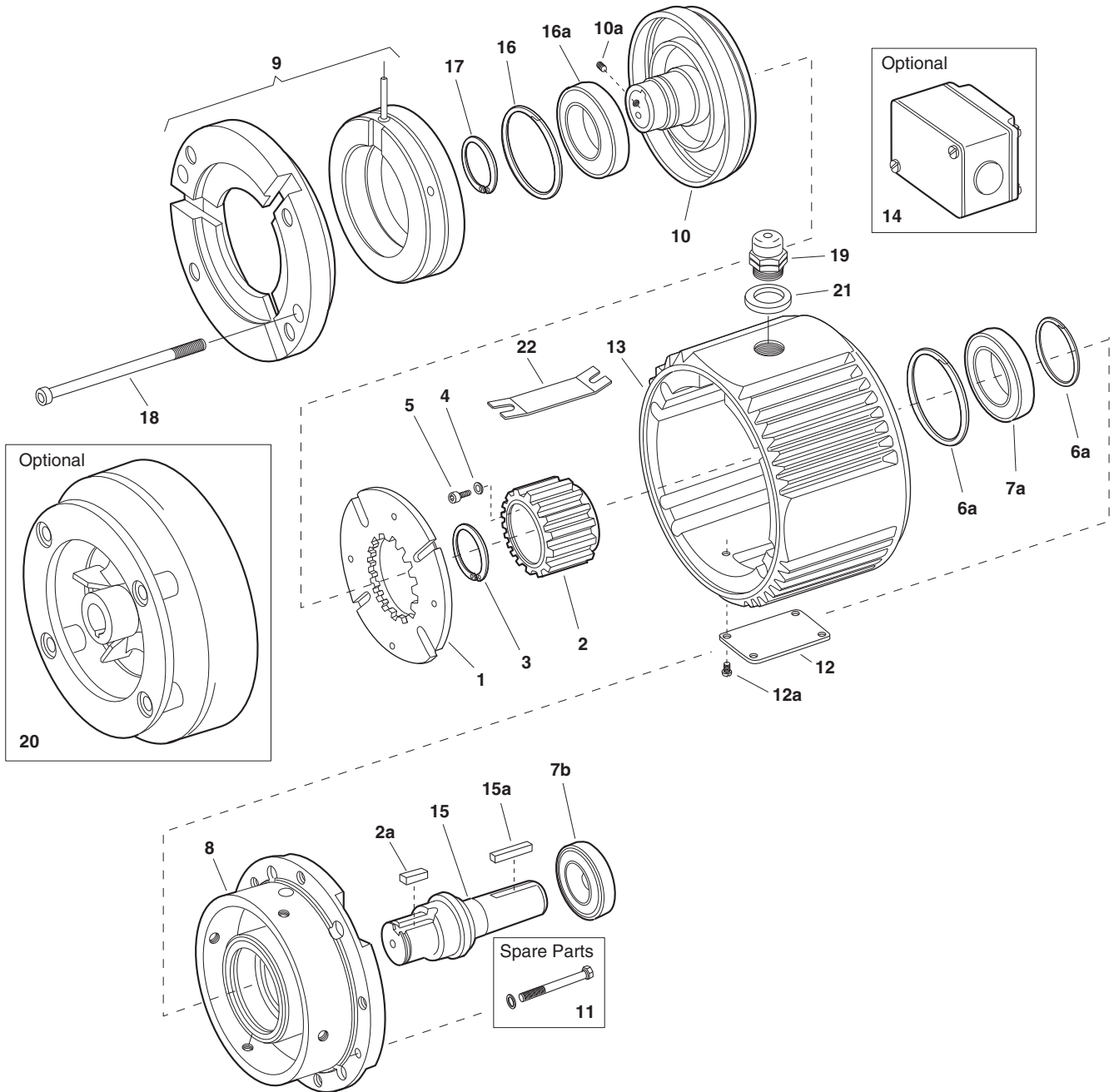
Component Parts

| Item | Description | EUM-50 | | EUM-100 | | EUM-180 | | EUM-210 | | EUM-215 | |
|--------------------|-------------------------------|--------------|------|--------------|------|--------------|------|--------------|------|--------------|------|
| | | Part No. | Qty. | Part No. | Qty. | Part No. | Qty. | Part No. | Qty. | Part No. | Qty. |
| 1 | Armature Assembly | 5370-111-011 | 2 | 5370-111-013 | 2 | 5370-111-013 | 2 | 5371-111-005 | 2 | 5371-111-005 | 2 |
| 2 | Armature Hub | 540-1638 | 1 | 540-1642 | 1 | 540-1642 | 1 | 540-0741 | 1 | 540-0741 | 1 |
| 2a | Key | 590-0043 | 1 | 590-0084 | 1 | 590-0084 | 1 | | | | |
| 3 | Retaining Ring | 748-0445 | 1 | 748-0676 | 1 | 748-0676 | 1 | | | | |
| 4 | Lockwasher | | | | | | | 950-0121 | 6 | 950-0121 | 6 |
| 5 | Capscrew | | | | | | | 797-0081 | 6 | 797-0081 | 6 |
| 6 | Retaining Ring | 748-0113 | 2 | 748-0101 | 1 | 748-0101 | 1 | 748-0112 | 1 | 748-0112 | 1 |
| 7a | Ball Bearing | 166-0149 | 1 | 166-0101 | 1 | 166-0101 | 1 | 166-0142 | 1 | 166-0142 | 1 |
| 7b | Ball Bearing | 166-0155 | 1 | 166-0143 | 1 | 166-0143 | 1 | 166-0144 | 1 | 166-0144 | 1 |
| 8 | Endbell/Brake | 456-1014 | 1 | 456-1019 | 1 | 456-1019 | 1 | 456-1017 | 1 | 456-1017 | 1 |
| 9 | Brake Magnet | | | | | | | | | | |
| | 6 volt | 5370-631-037 | | 5370-631-002 | | 5370-631-002 | | 5371-631-002 | | 5371-631-002 | |
| | 24 volt | 5370-631-038 | | 5370-631-005 | | 5370-631-005 | | 5371-631-005 | | 5371-631-005 | |
| | 90 volt | 5370-631-036 | | 5370-631-003 | | 5370-631-003 | | 5371-631-003 | | 5371-631-003 | |
| 9a | Set Screws | 797-0471 | 4 | 797-0471 | 4 | 797-0471 | 4 | 797-0471 | 4 | 797-0471 | 4 |
| 10 | Clutch Field/Endbell Assembly | | | | | | | | | | |
| | 6 volt | 5370-451-077 | 1 | 5370-451-086 | 1 | 5370-451-086 | 1 | 5371-451-033 | 1 | 5371-451-033 | 1 |
| | 24 volt | 5370-451-078 | 1 | 5370-451-087 | 1 | 5370-451-087 | 1 | 5371-451-034 | 1 | 5371-451-034 | 1 |
| | 90 volt | 5370-451-076 | 1 | 5370-451-085 | 1 | 5370-451-085 | 1 | 5371-451-032 | 1 | 5371-451-032 | 1 |
| 11 | Rotor/Hub Assembly | 5370-751-023 | 1 | 5370-751-035 | 1 | 5370-751-024 | 1 | 5371-751-014 | 1 | 5371-751-033 | 1 |
| 11a | Set Screws | 797-1098 | 2 | 797-0069 | 2 | 797-0069 | 2 | 797-1098 | 2 | 797-1098 | 2 |
| 12 | Mounting Accessory Kit | 5370-101-040 | 1 | 5370-101-040 | 1 | 5370-101-040 | 1 | 5371-101-024 | 1 | 5371-101-024 | 1 |
| 13 | Cover Plate | 686-1055 | 1 | 686-1055 | 1 | 686-1055 | 1 | 686-1055 | 1 | 686-1055 | 1 |
| 13a | Cover Plate Screws | 797-0575 | 4 | 797-0575 | 4 | 797-0575 | 4 | 797-0575 | 4 | 797-0575 | 4 |
| 14 | Center Housing | 535-0176 | 1 | 535-0176 | 1 | 535-0176 | 1 | 535-0177 | 1 | 535-0177 | 1 |
| 15 | Conduit Box (optional) | 5370-101-042 | 1 | 5370-101-042 | 1 | 5370-101-042 | 1 | 5370-101-042 | 1 | 5370-101-042 | 1 |
| 16 | Shaft | 798-0046 | 1 | 798-0128 | 1 | 798-0085 | 1 | 798-0051 | 1 | 798-0254 | 1 |
| 16a | Key | 590-0029 | 1 | 590-0029 | 1 | 590-0029 | 1 | 590-0019 | 1 | 590-0124 | 1 |
| 17 | Retaining Ring | 748-0101 | 2 | 748-0101 | 1 | 748-0101 | 1 | 748-0558 | 1 | 748-0558 | 1 |
| 17a | Ball Bearing | 166-0150 | 1 | 166-0300 | 1 | 166-0300 | 1 | 166-0168 | 1 | 166-0168 | 1 |
| 18 | Retaining Ring | 748-0018 | 1 | 748-0018 | 1 | 748-0018 | 1 | 748-0067 | 1 | 748-0067 | 1 |
| 19 | Assembly Bolts | 797-1433 | 2 | 797-1433 | 2 | 797-1433 | 2 | 797-1438 | 2 | 797-1438 | 2 |
| 20 | Connector | 280-0038 | 1 | 280-0038 | 1 | 280-0038 | 1 | 280-0038 | 1 | 280-0038 | 1 |
| 21 | Accessory Fan (optional) | 5370-101-055 | 1 | 5370-101-055 | 1 | 5370-101-054 | 1 | 5371-101-029 | 1 | N/A | |
| 22 | Washer | 950-0441 | 1 | 950-0441 | 1 | 950-0441 | 1 | 950-0441 | 1 | 950-0441 | 1 |
| 23 | Insulator | 572-0327 | 1 | 572-0327 | 1 | 572-0327 | 1 | 572-0327 | 1 | 572-0327 | 1 |
| EUM-W Unique Parts | | | | | | | | | | | |
| 12W | Washdown Mounting Kit | 5370-101-052 | 1 | 5370-101-052 | 1 | 5370-101-052 | 1 | 5371-101-028 | 1 | 5371-101-028 | 1 |
| 14W | Center Housing for Washdown | 535-0181 | 1 | 535-0181 | 1 | 535-0181 | 1 | 535-0182 | 1 | 535-0182 | 1 |
| 15W | Conduit Box Kit | 5370-101-045 | 1 | 5370-101-045 | 1 | 5370-101-045 | 1 | 5370-101-045 | 1 | 5370-101-045 | 1 |
| 16W | Shaft | 798-0263 | 1 | 798-0265 | 1 | 798-0262 | 1 | 798-0259 | 1 | 798-0267 | 1 |
| 20W | Conduit Connector | 280-0058 | 1 | 280-0058 | 1 | 280-0058 | 1 | 280-0058 | 1 | 280-0058 | 1 |
| 21W | Fan Kit (optional) | 5370-101-060 | 1 | 5370-101-060 | 1 | 5370-101-061 | 1 | 5371-101-033 | 1 | N/A | |
| 26W | Gasket/Seal Repair Kit | 5370-101-058 | 1 | 5370-101-058 | 1 | 5370-101-058 | 1 | 5371-101-032 | 1 | 5371-101-032 | 1 |
| | Key | 5370-101-072 | 1 | 5370-101-072 | 1 | 5370-101-072 | 1 | 5371-101-043 | 1 | 5371-101-044 | 1 |

Refer to Service Manual P-213.

These units meet the standards of UL 508 and are listed under guide card #NMTR 2, file #59164. These units are CSA certified under file #LR11543.

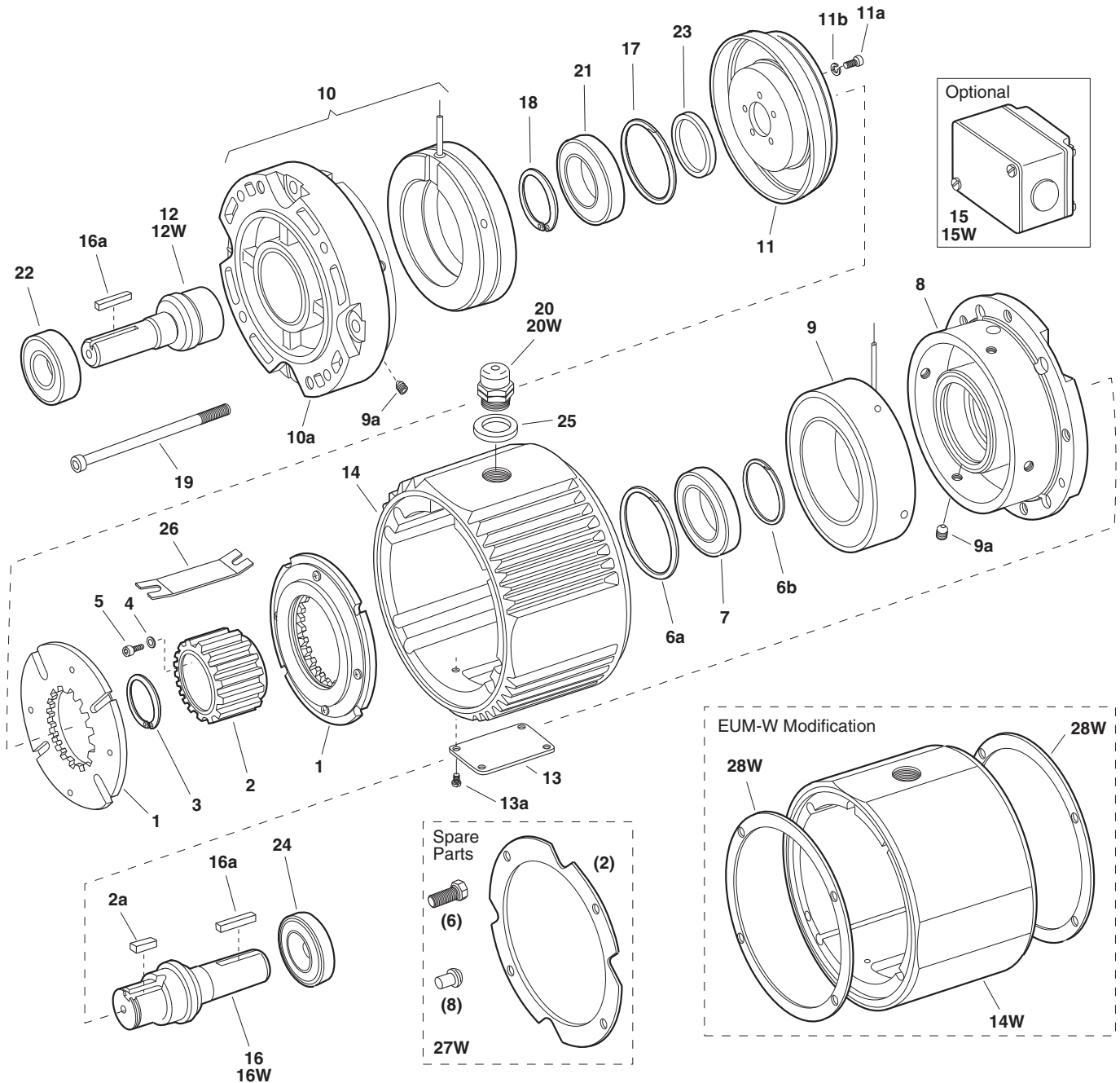
EUM-1040 Clutch Combination



Component Parts

| Item | Description | EUM-50 | | EUM-180 | | EUM-210 | |
|------|--|--------------|------|--------------|------|--------------|------|
| | | Part No. | Qty. | Part No. | Qty. | Part No. | Qty. |
| 1 | Armature Assembly | 5370-111-011 | 1 | 5370-111-013 | 1 | 5371-111-005 | 1 |
| 2 | Armature Hub | 540-1638 | 1 | 540-1642 | 1 | 540-0741 | 1 |
| 2a | Key | 590-0043 | 1 | 590-0084 | 1 | | |
| 3 | Retaining Ring | 748-0445 | 1 | 748-0676 | 1 | | |
| 4 | Lockwasher | | | | | 950-0121 | 6 |
| 5 | Capscrew | | | | | 797-0081 | 6 |
| 6a | Retaining Ring | 748-0113 | 1 | 748-0101 | 1 | 748-0112 | 1 |
| 6b | Retaining Ring | 748-0113 | 1 | | | | |
| 7a | Ball Bearing | 166-0149 | 1 | 166-0101 | 1 | 166-0142 | 1 |
| 7b | Ball Bearing | 166-0155 | 1 | 166-0143 | 1 | 166-0144 | 1 |
| 8 | Endbell | 456-1014 | 1 | 456-1019 | 1 | 456-1017 | 1 |
| 9 | Clutch Field/Endbell Assembly 90 Volt | 5370-451-076 | 1 | 5370-451-085 | 1 | 5371-451-032 | 1 |
| 10 | Rotor/Hub Assembly | 5370-751-023 | 1 | 5370-751-024 | 1 | 5371-751-014 | 1 |
| 10a | Set Screws | 797-1098 | 2 | 797-0069 | 2 | 797-1098 | 2 |
| 11 | Mounting Accessory Kit | 5370-101-040 | 1 | 5370-101-040 | 1 | 5371-101-024 | 1 |
| 12 | Cover Plate | 686-1055 | 1 | 686-1055 | 1 | 686-1055 | 1 |
| 12a | Cover Plate Screws | 797-0575 | 4 | 797-0575 | 4 | 797-0575 | 4 |
| 13 | Center Housing | 535-0176 | 1 | 535-0176 | 1 | 535-0177 | 1 |
| 14 | Conduit Box (optional) | 5370-101-042 | 1 | 5370-101-042 | 1 | 5370-101-042 | 1 |
| 15 | Shaft | 798-0046 | 1 | 798-0085 | 1 | 798-0051 | 1 |
| 15a | Key | 590-0029 | 1 | 590-0029 | 1 | 590-0019 | 1 |
| 16 | Retaining Ring | 748-0101 | 2 | 748-0101 | 1 | 748-0558 | 1 |
| 16a | Ball Bearing | 166-0150 | 1 | 166-0300 | 1 | 166-0168 | 1 |
| 17 | Retaining Ring | 748-0018 | 1 | 748-0018 | 1 | 748-0067 | 1 |
| 18 | Assembly Bolts | 797-1433 | 2 | 797-1433 | 2 | 797-1438 | 2 |
| 19 | Connector | 280-0038 | 1 | 280-0038 | 1 | 280-0038 | 1 |
| 20 | Accessory Fan (optional) | 5370-101-055 | 1 | 5370-101-054 | 1 | 5371-101-029 | 1 |
| 21 | Washer | 950-0441 | 1 | 950-0441 | 1 | 950-0441 | 1 |
| 22 | Insulator | 572-0327 | 1 | 572-0327 | 1 | 572-0327 | 1 |
| | Key | 5370-101-072 | 1 | 5370-101-072 | 1 | 5371-101-043 | 1 |

EUM-2030 Clutch/Brake Combination EUM-W-2030 Clutch/Brake Combination




EUM-2030 Clutch/Brake Combination EUM-W-2030 Clutch/Brake Combination

Component Parts

| Item | Description | EUM-50 | | EUM-180 | | EUM-210 | |
|--------------------|---|--------------|------|--------------|------|--------------|------|
| | | Part No. | Qty. | Part No. | Qty. | Part No. | Qty. |
| 1 | Armature Assembly | 5370-111-011 | 2 | 5370-111-013 | 2 | 5371-111-005 | 2 |
| 2 | Armature Hub | 540-1638 | 1 | 540-1642 | 1 | 540-0741 | 1 |
| 2a | Key | 590-0043 | 1 | 590-0084 | 1 | | |
| 3 | Retaining Ring | 748-0445 | 1 | 748-0676 | 1 | | |
| 4 | Lockwasher | | | | | 950-0121 | 6 |
| 5 | Capscrew | | | | | 797-0081 | 6 |
| 6a | Retaining Ring | 748-0113 | 2 | 748-0101 | 1 | 748-0112 | 1 |
| 6b | Retaining Ring | | | | | 748-2002 | 1 |
| 7 | Ball Bearing | 166-0149 | 1 | 166-0101 | 1 | 166-0142 | 1 |
| 8 | Endbell/Brake | 456-1014 | 1 | 456-1019 | 1 | 456-1017 | 1 |
| 9 | Brake Magnet | | | | | | |
| | 6 volt | 5370-631-037 | 1 | 5370-631-002 | 1 | 5371-631-002 | 1 |
| | 24 volt | 5370-631-038 | 1 | 5370-631-005 | 1 | 5371-631-005 | 1 |
| | 90 volt | 5370-631-036 | 1 | 5370-631-003 | 1 | 5371-631-003 | 1 |
| 9a | Set Screws | 797-0471 | 4 | 797-0471 | 4 | 797-0471 | 8 |
| 10 | Field (with Endbell EUM-50 and EUM-180) | | | | | | |
| | 6 volt | 5370-451-082 | 1 | 5370-451-090 | 1 | 5371-451-002 | 1 |
| | 24 volt | 5370-451-083 | 1 | 5370-451-091 | 1 | 5371-451-005 | 1 |
| | 90 volt | 5370-451-081 | 1 | 5370-451-089 | 1 | 5371-451-003 | 1 |
| 10a | Endbell (EUM-210 only) | | | | | 456-1018 | 1 |
| 11 | Rotor | 5370-751-033 | 1 | 5370-751-034 | 1 | 5371-751-006 | 1 |
| 11a | Screw | 797-1294 | 4 | 797-1214 | 5 | 797-0081 | 6 |
| 11b | Washer | 950-0102 | 4 | 950-0102 | 5 | 950-0121 | 6 |
| 12 | Shaft/Clutch | 798-0047 | 1 | 798-0124 | 1 | 798-0123 | 1 |
| 13 | Cover Plate | 686-1055 | 1 | 686-1055 | 1 | 686-1055 | 1 |
| 13a | Screws | 797-0575 | 4 | 797-0575 | 4 | 797-0575 | 4 |
| 14 | Center Housing | 535-0176 | 1 | 535-0176 | 1 | 535-0177 | 1 |
| 15 | Conduit Box (optional) | 5370-101-042 | 1 | 5370-101-042 | 1 | 5370-101-042 | 1 |
| 16 | Shaft/Brake | 798-0046 | 1 | 798-0085 | 1 | 798-0051 | 1 |
| 16a | Key | 590-0029 | 2 | 590-0029 | 2 | 590-0019 | 2 |
| 17 | Retaining Ring | 748-0113 | 2 | 748-0101 | 1 | 748-0112 | 1 |
| 18 | Retaining Ring | 748-0017 | 1 | | | 748-0202 | 1 |
| 19 | Assembly Bolts | 797-1477 | 2 | 797-1477 | 2 | 797-1476 | 2 |
| 20 | Connector | 280-0038 | 1 | 280-0038 | 1 | 280-0038 | 1 |
| 21 | Bearing | 166-0149 | 1 | 166-0101 | 1 | 166-0142 | 1 |
| 22 | Bearing | 166-0155 | 1 | 166-0143 | 1 | 166-0144 | 1 |
| 23 | Spacer | | | 807-0062 | 1 | 807-0061 | 1 |
| 24 | Bearing | 166-0155 | 1 | 166-0143 | 1 | 166-0144 | 1 |
| 25 | Washer | 950-0441 | 1 | 950-0441 | 1 | 950-0441 | 1 |
| 26 | Insulator | 572-0327 | 1 | 572-0327 | 1 | 572-0327 | 1 |
| EUM-W Unique Parts | | | | | | | |
| 12W | Shaft/Clutch | 798-0264 | 1 | 798-0261 | 1 | 798-0260 | 1 |
| 14W | Center Housing for Washdown | 535-0181 | 1 | 535-0181 | 1 | 535-0182 | 1 |
| 15W | Conduit Box Kit (optional) | 5370-101-045 | 1 | 5370-101-045 | 1 | 5370-101-045 | 1 |
| 16W | Shaft/Brake | 798-0263 | 1 | 798-0262 | 1 | 798-0259 | 1 |
| 20W | Conduit Connector | 280-0058 | 1 | 280-0058 | 1 | 280-0058 | 1 |
| 27W | Washdown Mounting Kit | 5370-101-051 | 1 | 5370-101-051 | 1 | 5371-101-027 | 1 |
| 28W | Gasket/Seal Repair Kit | 5370-101-058 | 1 | 5370-101-058 | 1 | 5371-101-032 | 1 |

Refer to Service Manual P-213.

These units meet the standards of UL 508 and are listed under guide card #NMTR 2, file #59164. These units are CSA certified under file #LR11543.


INDUSTRIAL MAGZA MEX (55) 53 63 23 31 MTY (81) 83 54 10 18
 DIST. AUTORIZADO QRO (442) 1 95 72 60 ventas@industrialmagza.com

Service Parts