

Note: As of June, 2000 all rotors are manufactured as a single piece design. The rotor assembly part number remains the same and now includes the hub and set screws.

Component Parts

Item	Description	EM-50		EM-100		EM-180		EM-210	
		Part No.	Qty.	Part No.	Qty.	Part No.	Qty.	Part No.	Qty.
1*	Rotor Assembly w/fan & hub	5370-751-010	1	5370-751-013	1	5370-751-007	1	5371-751-005	1
	Field		1		1		1		1
2	6 volt	5370-451-011		5370-451-021		5370-451-021		5371-451-010	
	24 volt	5370-451-014		5370-451-024		5370-451-024		5371-451-013	
	90 volt	5370-451-012		5370-451-022		5370-451-022		5371-451-011	
3	Setscrew							797-0471	4
4	Adapter							104-0096	1
	Mounting Accessory	5370-101-028	1	5370-101-013	1	5370-101-013	1	5371-101-008	1
5	5-1 Capscrew	797-0293	4	797-0293	4	797-0293	4	797-1078	4
	5-2 Lockwasher	950-0128	4	950-0128	4	950-0128	4	950-0101	4
	5-3 Capscrew							797-1075	4
	5-4 Lockwasher							950-0032	4

*Shipped Assembled

Refer to Service Manual P-213.

These units meet the standards of UL 508 and are listed under guide card #NMTR2, file #59164. These units are CSA certified under file #LR11543.

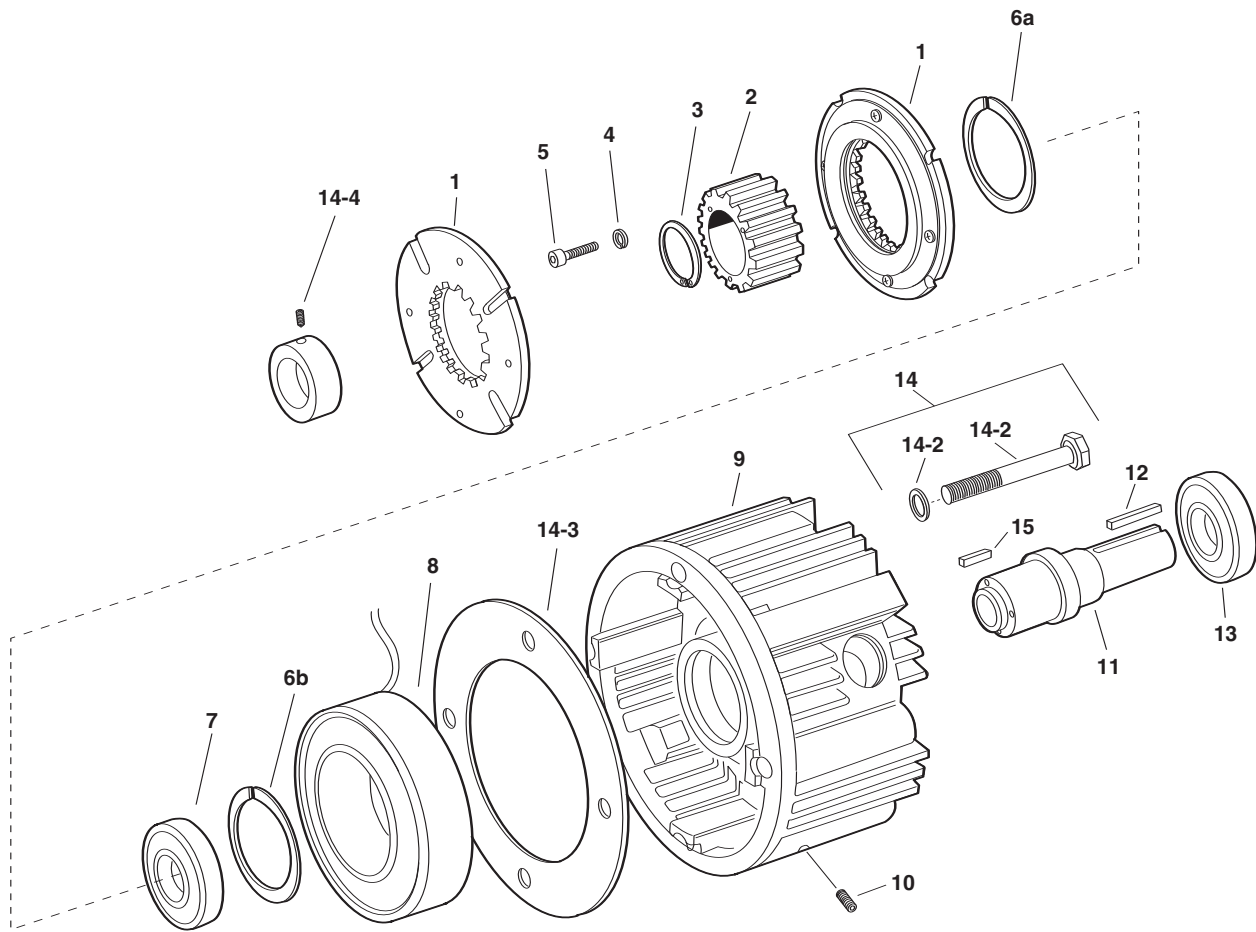



MEX (55) 53 63 23 31 MTY (81) 83 54 10 18
 QRO (442) 1 95 72 60 ventas@industrialmagza.com

Service Parts

Warner Electric 800-234-3369

20 Brake Module



 **INDUSTRIAL MAGZA** MEX (55) 53 63 23 31 MTY (81) 83 54 10 18
DIST. AUTORIZADO QRO (442) 1 95 72 60 ventas@industrialmagza.com

Service Parts

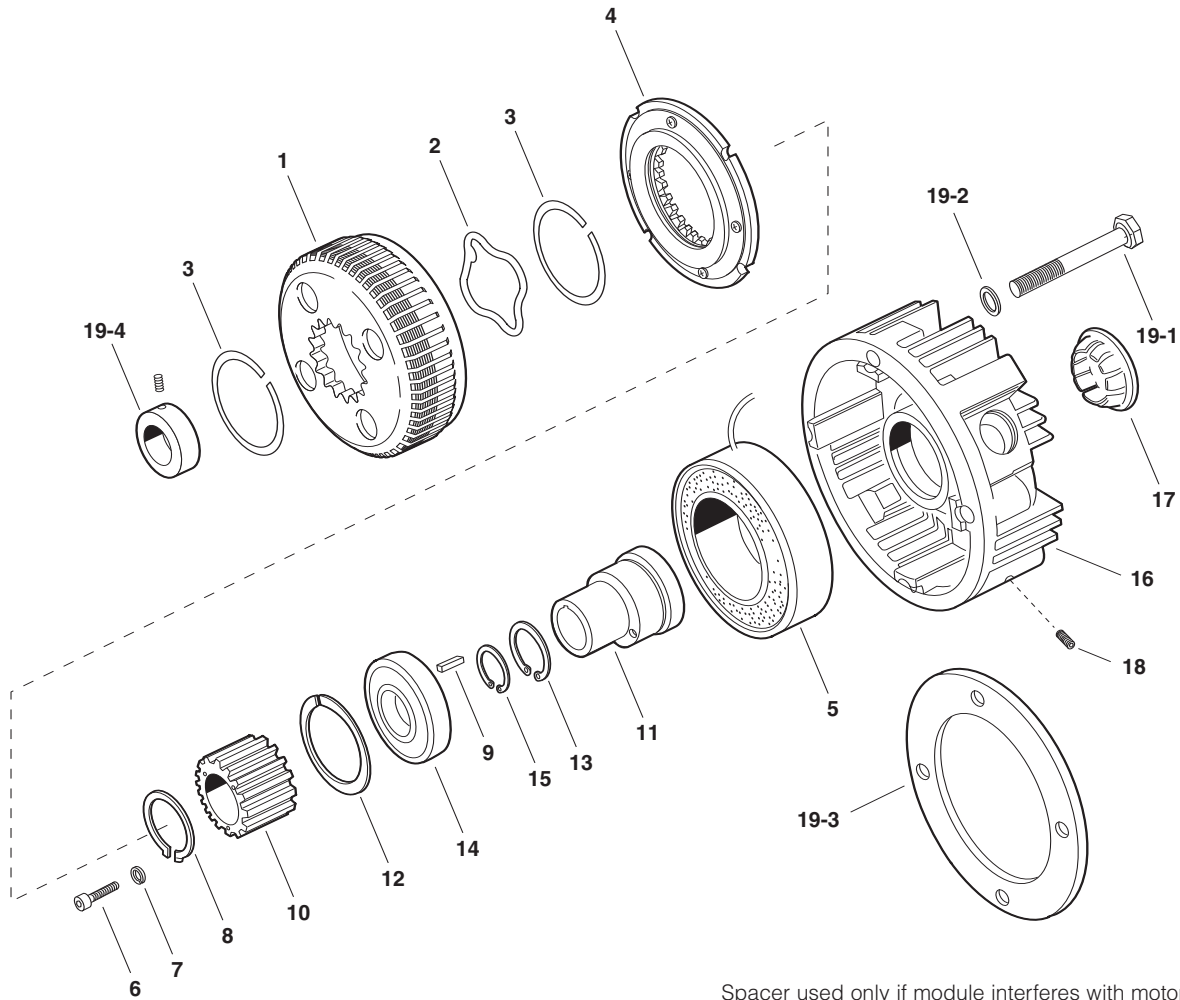
Component Parts

Item	Description	EM-50		EM-100		EM-180		EM-210		EM-215	
		Part No.	Qty.	Part No.	Qty.	Part No.	Qty.	Part No.	Qty.	Part No.	Qty.
1	Armature	5370-111-011	2	5370-111-013	2	5370-111-013	2	5371-111-005	2	5371-111-005	1
2	Armature Hub	540-1638	1	540-1684	1	540-1642	1	540-0741	1	540-2039	1
3	Retaining Ring	748-0445	1	748-0676	1	748-0676	1				
4	Lockwasher							950-0372	6	950-0372	6
5	Capscrew							797-0081	6	797-008	6
6a	Retaining Ring	748-0113	1	748-0101	1	748-0101	1	748-0112	1	748-0112	1
6b	Retaining Ring	748-0113	1							748-2002	1
7	Ball Bearing	166-0149	1	166-0101	1	166-0101	1	166-0142	1	166-0142	1
8	Magnet		1		1		1		1		
	6 Volt	5370-631-008		5370-631-002		5370-631-002		5371-631-002			
	24 Volt	5370-631-010		5370-631-005		5370-631-005		5371-631-005			
	90 Volt	5370-631-007		5370-631-003		5370-631-003		5371-631-003		5371-631-003	1
9	Housing	535-0130	1	535-0132	1	535-0132	1	535-0033	1	535-0033	1
10	Setscrew	797-0471	4	797-0471	4	797-0471	4	797-0471	4	797-0471	4
11	Shaft	798-0045	1	798-0127	1	798-0086	1	798-0050	1	798-0268	1
12	Key - Output	590-0029	1	590-0029	1	590-0029	1	590-0019	1	590-0124	1
13	Ball Bearing	166-0155	1	166-0143	1	166-0143	1	166-0144	1	166-0144	1
14	Mounting Accessory	5370-101-017	1	5370-101-017	1	5370-101-023	1	5371-101-007	1	5371-101-007	1
	14-1 Capscrew	797-0353	4	797-0353	4	797-0353	4	797-1081	4	797-1081	4
	14-2 Washer	950-0354	4	950-0354	4	950-0354	4	950-0033	4	950-0033	4
	14-3 Spacer					807-0218	1				
	14-4 Collar					266-0002	1	266-0003	1	266-0003	1
15	Key	590-0043	1	590-0084	1	590-0084	1				
	Key Accessory - Input	5370-101-072	1	5370-101-072	1	5370-101-072	1	5371-101-043	1	5371-101-044	1

Refer to Service Manual P-213.

These units meet the standards of UL 508 and are listed under guide card #NMTR2, file #59164. These units are CSA certified under file #LR11543.

EM-50-20MB, EM-180-20MB, EM-210-20MB



Spacer used only if module interferes with motor housing.



MEX (55) 53 63 23 31 MTY (81) 83 54 10 18
QRO (442) 1 95 72 60 ventas@industrialmagza.com

Service Parts

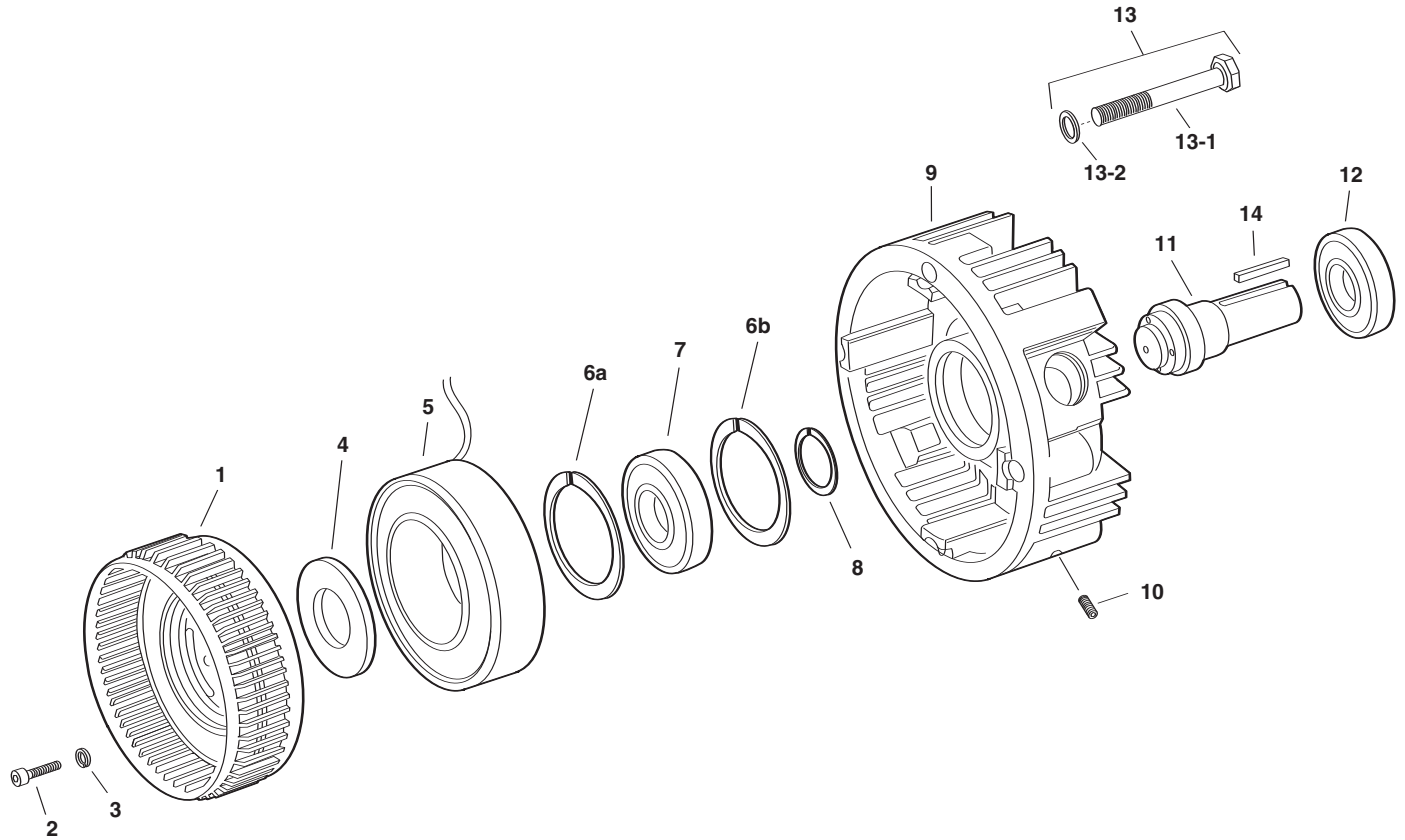
Component Parts

Item	Description	EM-50		EM-180		EM-210	
		Part No.	Qty.	Part No.	Qty.	Part No.	Qty.
1	Fan Assembly	5370-104-002	1	5370-104-001	1	748-1052	1
2	Follow-up Spring	808-0104	1	808-0107	1	808-0109	1
3	Retaining Ring	748-0440	2	748-0450	2	748-0455	2
4	Armature	5370-111-011	1	5370-111-013	1	5371-111-005	1
5	Magnet						
	6 Volt	5370-631-008	11	5370-631-002	1	5371-631-002	1
	24 Volt	5370-631-010	1	5370-631-005	1	5371-631-005	1
	90 Volt	5370-631-007	1	5370-631-003	1	5371-631-003	1
6	Capscrew					797-0081	6
7	Lockwasher					950-0372	6
8	Retaining Ring	748-0445	1				
9	Key	590-0043	1	590-0084	1		
10	Splined Hub	540-1646	1	540-1647	1	540-2041	1
11	Hub	540-1018	1	540-0726	1	540-1020	1
12	Retaining Ring	748-0113	2	748-0101	1	748-0112	1
13	Retaining Ring			748-0676	1		
14	Bearing	166-0149	1	166-0101	1	166-0142	1
15	Retaining Ring	748-0556	1	748-0555	1	748-0554	1
16	Housing	535-0136	1	535-0134	1	535-0050	1
17	Plug	680-0028	1	680-0028	1	680-0027	1
18	Setscrew	797-0471	4	797-0471	4	797-0471	4
19	Mounting Accessory	5370-101-017	1	5370-101-023	1	5371-101-007	1
	19-1 Capscrew	797-0353	4	797-0353	4	797-1081	4
	19-2 Lockwasher	950-0354	4	950-0354	4	950-0033	4
	19-3 Spacer			807-0218	1		
	19-4 Collar			266-0002	1	266-0003	1
	Key Accessory - Input	5370-101-073	1	5370-101-073	1	5371-101-043	1

Refer to Service Manual P-213.

These units meet the standards of UL 508 and are listed under guide card #NMTR2, file #59164. These units are CSA certified under file #LR11543.

30 Input Clutch Module



Component Parts

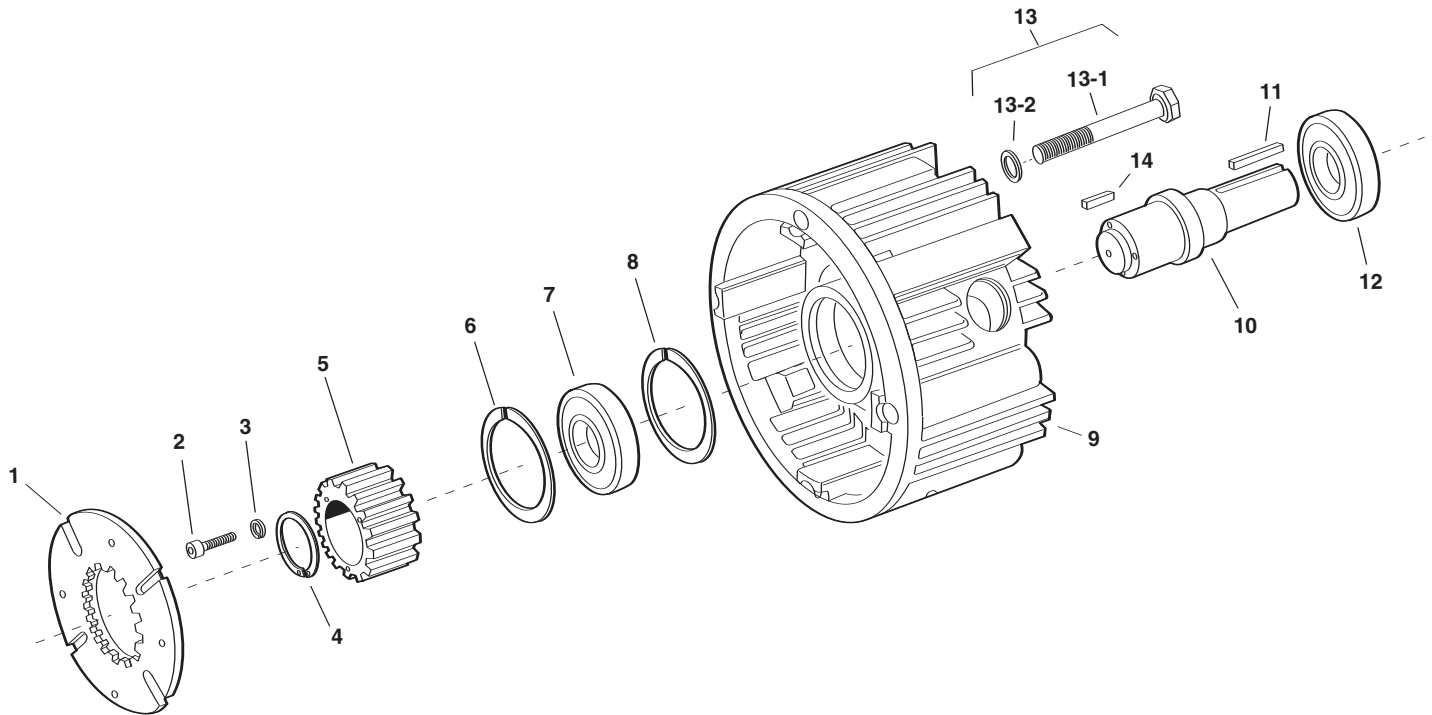
Item	Description	EM-50		EM-100		EM-180		EM-210	
		Part No.	Qty.	Part No.	Qty.	Part No.	Qty.	Part No.	Qty.
1	Rotor Assembly w/fan	5370-751-006	1	5370-751-009	1	5370-751-009	1	5371-751-007	1
2	Capscrew	797-1039	4	797-1214	5	797-1214	5	797-0083	6
3	Lockwasher	950-0436	4	950-0436	5	950-0436	5	950-0372	6
4	Spacer			807-0062	1	807-0062	1	807-0061	1
5	Field (with housing EM-50-30 only)		1		1		1		1
	6 volt	5370-451-072		5370-451-007		5370-451-007		5371-451-002	
	24 volt	5370-451-074		5370-451-005		5370-451-005		5371-451-005	
	90 volt	5370-451-073		5370-451-008		5370-451-008		5371-451-003	
6a	Retaining Ring	748-0113	1	748-0101	1	748-0101	1	748-0112	1
6b	Retaining Ring	748-0113	1						
7	Ball Bearing	166-0149	1	166-0101	1	166-0101	1	166-0142	1
8	Retaining Ring	748-0017	1						
9	Housing			535-0164	1	535-0164	1	535-0129	1
10	Setscrew	797-0471	4	797-0471	4	797-0471	4	797-0471	4
11	Shaft	798-0047	1	798-0129	1	798-0124	1	798-0123	1
12	Ball Bearing	166-0155	1	166-0143	1	166-0143	1	166-0144	1
13	Mounting Accessory							5371-101-010	1
	13-1 Capscrew							797-1075	4
	13-2 Lockwasher							950-0032	4
14	Key	590-0029	1	590-0029	1	590-0029	1	590-0019	1

Refer to Service Manual P-213.

These units meet the standards of UL 508 and are listed under guide card #NMTR2, file #59164. These units are CSA certified under file #LR11543.

Service Parts

40 Output Clutch Module



Component Parts

Item	Description	EM-50		EM-100		EM-180		EM-210	
		Part No.	Qty.	Part No.	Qty.	Part No.	Qty.	Part No.	Qty.
1	Armature	5370-111-011	1	5370-111-013	1	5370-111-013	1	5371-111-005	1
2	Capscrew							797-0081	1
3	Lockwasher							950-0372	6
4	Retaining Ring	748-0445	1	748-0676	1	748-0676	1		
5	Hub	540-1638	1	540-1642	1	540-1642	1	540-0741	1
6	Retaining Ring	748-0113	1	748-0101	1	748-0101	1	748-0112	1
7	Ball Bearing	166-0149	1	166-0101	1	166-0101	1	166-0142	1
8	Retaining Ring	748-0113	2						
9	Housing	535-0131	1	535-0133	1	535-0133	1	535-0034	1
10	Shaft	798-0046	1	798-0128	1	798-0085	1	798-0051	1
11	Key	590-0029	1	590-0029	1	590-0029	1	590-0019	1
12	Ball Bearing	166-0155	1	166-0143	1	166-0143	1	166-0144	1
13	Mounting Accessory	5370-101-017	1	5370-101-017	1	5370-101-017	1		
	13-1 Capscrew	797-0353	4	797-0353	4	797-0353	4		
	13-2 Lockwasher	950-0354	4	950-0354	4	950-0354	4		
14	Key	590-0043	1	590-0084	1	590-0084	1		
	Key Accessory - Input	5370-101-072	1	5370-101-072	1	5370-101-072	1	5371-101-043	1

Refer to Service Manual P-213.

These units meet the standards of UL 508 and are listed under guide card #NMTR2, file #59164. These units are CSA certified under file #LR11543.

Service Parts