

One Shot Octal Socket Power Supply

Warner Electric's One Shot Power Supply is a plug-in clutch/brake control designed for operation of AC or DC wrap spring clutches and brakes with a D-frame coil. The One Shot provides a single voltage pulse of 160 or 325 VDC for approximately 20MS, whether the customer supplied switch is momentarily closed or held closed.

The One Shot Power Supply is UL Listed when used with Warner Electric's octal socket, part no. 6001-101-001, or DIN rail mount octal socket, part no. 6001-101-002 (each purchased separately) and only UL-Recognized when used with other sockets. This unit may be mounted in any convenient position using the two mounting holes provided on the socket.

Actuating the single pole, double throw (SPDT) switch energizes the solenoid coil. Releasing or resetting the switch charges an internal capacitor. A minimum of 20 milliseconds cycle time is required between operations.

Note: Designed for use with actuator limit stop option.



One Shot Octal Socket Control P/N 901-00-019

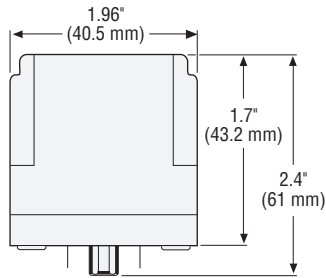
Specifications (mm)

Input:	120/240 VAC, 50/60 Hz
Output:	160/325 VDC Peak, 3 Amps Max at 160 VDC output, 5 Amps Max. at 325 VDC Output
Ambient Temperature:	+ 32° F to + 122° F 0° C to + 50° C
Max. Cycle Rate:	200 CPM* at 120 VAC Input 100 CPM* at 240 VAC Input

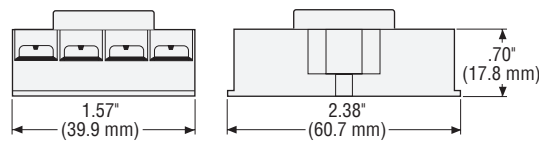
* See Cycle Rate Table for maximum cycle rates by input and solenoid.
 ** For use with D-Frame coils only.

Solenoid	Maximum Cycle Rate	
	120 VAC Input	240 VAC Input
12 VDC	50 CPM	25 CPM
24 VDC	60 CPM	30 CPM
90 VDC	200 CPM	100 CPM
115 VAC	200 CPM	100 CPM

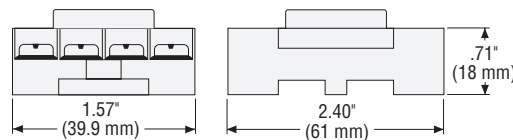
Dimensions (mm)



One Shot Control PN 901-00-019

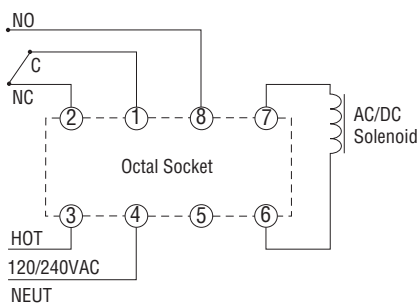


Octal Socket P/N 6001-101-001



DIN Rail Mount 05 P/N 6001-101-002

Connection Diagram



One Shot Power Supply Model WSCC-101

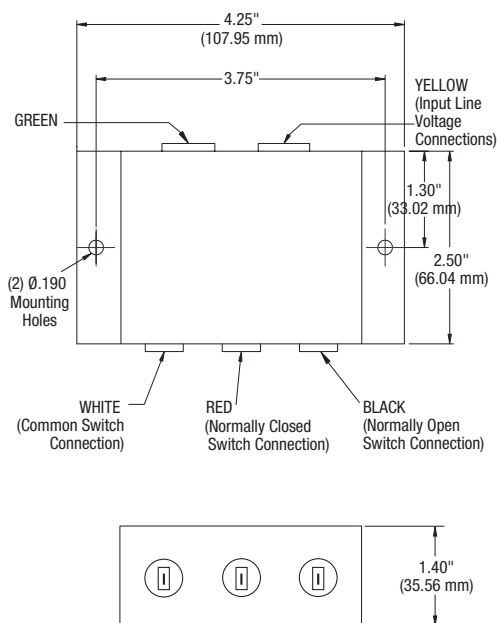
One Shot Control
P/N 901-00-014

The One Shot Power Supply is available for use with standard AC as well as DC D-Frame coils. The one shot provides a single overexcite voltage pulse whether the switch is momentarily closed, or held closed. The unit operates on either 120 or 230 AC, 50/60 Hz power and may be mounted in any convenient position by use of two mounting holes for #8-32 screws.

Note: Designed for use with actuator limit stop option and D-Frame coil.



Dimensions (mm)

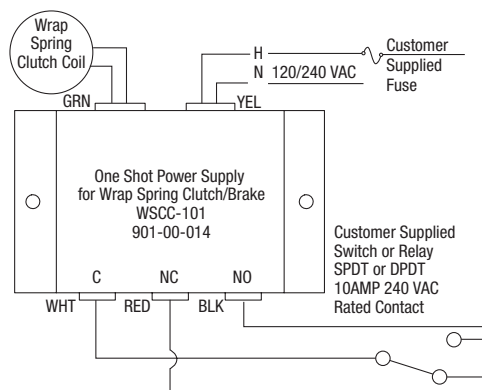


Specifications

- Input:** 120/240 VAC, 50/60Hz
- Output:** 160/290 VDC Peak, 3 Amps Max at 160 VDC output, 5 Amps Max at 290 VDC output
- Ambient Temperature:** +32°F to +122°F
0°C to +50°C
- Terminals:** Amp Inc., Fast-on 250 Series Tabs (.250 X .032), For 14-16AWG AMP #640905-1 For 18-22AWG AMP #640903-1

Cycles Per Min.	Maximum Cycle Rate	
	One Full Cycle	Typical Charge or Discharge Rates
12 VDC	120	200 CPM
	240	35 CPM
24 VDC	120	300 CPM
	240	40 CPM
90 VDC	120	400 CPM
	240	60 CPM
115 VAC	120	350 CPM
	240	45 CPM

Connection Diagram



Actuating the single pole, double throw (SPDT) switch energizes the solenoid coil. Releasing or resetting the switch charges an internal capacitor. A minimum of 20 milliseconds cycle time is required between operations.