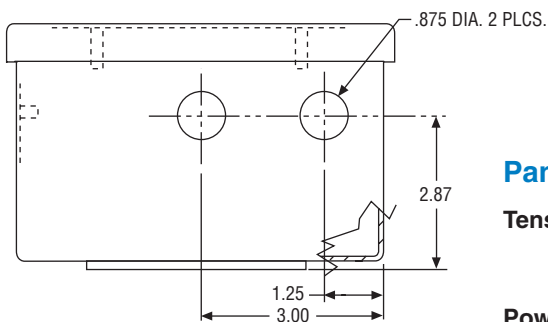
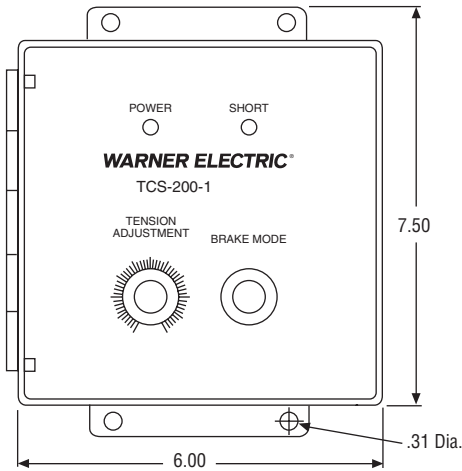




Dimensions

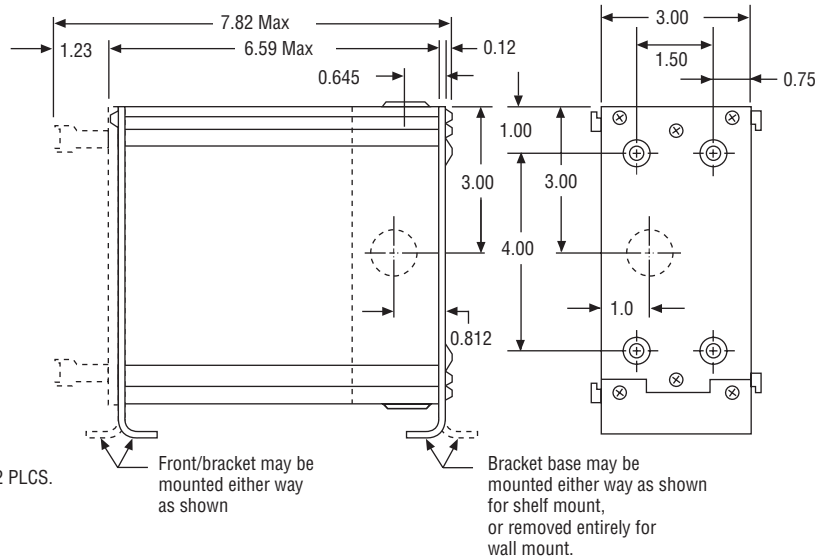
TCS-200-1



Wall/Shelf Mount

Tension Controls – For use with MCS-203, MCS-204, MCS-207 or MCS-208 order part number 6910-448-016.
For use with TCS-210 or 220, order part number 6910-448-029.

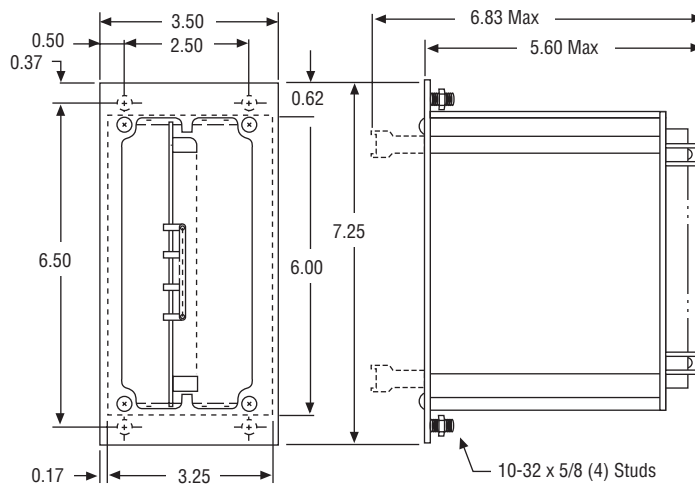
Power Supplies – For use with MCS-166, order part number 6910-448-019.



Panel Mount

Tension Controls – For use with MCS-203, MCS-204, MCS-207 or MCS-208 order part number 6910-448-015.
For use with TCS-210 or 220, order part number 6910-448-028.

Power Supplies – For use with MCS-166, order part number 6910-448-018.

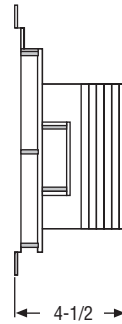
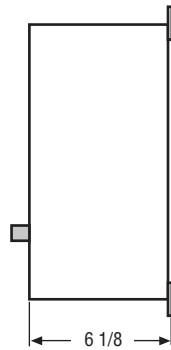
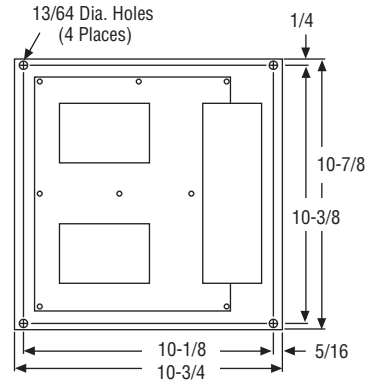
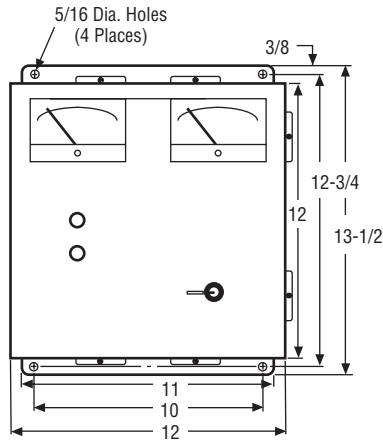


Ribbon Cable

A ribbon cable has been added to the rear terminal board of the MCS-203/204/207/208 and MCS-166 enclosures to improve performance and reliability. The upgrade is fully retrofittable and enclosure part numbers have not changed.

Dual Brake Controls

TCS-310, TCS-320



Power Supplies

TCS-167, TCS-168

(P/N 6910-448-033)

