

# Cable Pull Safety Switches

For Cable Lengths of 10, 15, 30 and 75 ft.  
Single Direction for Standard and Safety Applications

## Description

Cable pull switches give personal ready access to a machine stop switch over a long distance by pulling on the cable. They are especially suited for use along conveyors or on the perimeter of large manufacturing machines.

Safety cable pull switches (type Si) are safety devices according to IEC 947-5-1 and VDC 0660, T200. The action of the N.C. emergency stop contacts is forced due to the contact elements being securely attached to the plunger. This safety switch has make-before-break contacts. The machine will stop when the cable is pulled or when the cable breaks. These functions are made possible by the overlapping contacts of the UV type contact blocks. This operation requires the Cable to be held in position under tension. See the Typical Installation drawing on page 59 for further information.

A latch option keeps the stop contact open after the cable has been pulled and released. The latch is reset by operating a push-button on the switch. Machine restarting is not possible until the latch is reset.

The maximum length of the cable is only limited by its weight. The weight of the cable must not exceed the tension force of the switching system. The maximum length of unsupported cable must not exceed 15 ft.



## Standard Cable Pull Switch

Model	Part Number	*Cable Length	Pull Force	Voltage (max.)	Current (max.)	Enclosure	**Drawing
SI-U1Z	601-3812-075	10 ft.	5.5 lbs.	380 VAC	10 A	Plastic	A
SEK-U1Z	601-1811-133	15 ft.	18 lbs.	500 VAC	10 A	Plastic	B
SEM2-U1Z	601-2811-029	15 ft.	18 lbs.	500 VAC	10 A	Aluminum	C
SD-U1	601-1411-856	30 ft.	27 lbs.	500 VAC	16 A	Aluminum	F
SD-U1/LATCH	601-1411-868	30 ft.	27 lbs.	500 VAC	16 A	Aluminum	E

## Safety Cable Pull Switch

Model	Part Number	*Cable Length	Pull Force	Voltage (max.)	Current (max.)	Enclosure	**Drawing
Sii-UV1Z	601-3832-076	10 ft.	5.5 lbs.	380 VAC	10 A	Plastic	A
SiEK-UV1Z	601-1831-134	15 ft.	18 lbs.	500 VAC	10 A	Plastic	B
SiEM2-UV1Z	601-2831-022	15 ft.	18 lbs.	500 VAC	10 A	Aluminum	C
SiEM2-UV1Z/LATCH	601-2831-023	15 ft.	18 lbs.	500 VAC	10 A	Aluminum	D
SiD-UV1Z	601-1431-857	30 ft.	27 lbs.	380 VAC	16 A	Aluminum	F
SiD-UV1Z/LATCH	601-1431-869	30 ft.	27 lbs.	380 VAC	16 A	Aluminum	E
SiD-UV1Z	601-2431-877	75 ft.	45 lbs.	500 VAC	16 A	Aluminum	G
SiD-UV2Z/LATCH	601-2441-907	75 ft.	45 lbs.	380 VAC	16 A	Aluminum	H

\*Recommended Cable Length

\*\*Drawings shown on page 59

## Accessories

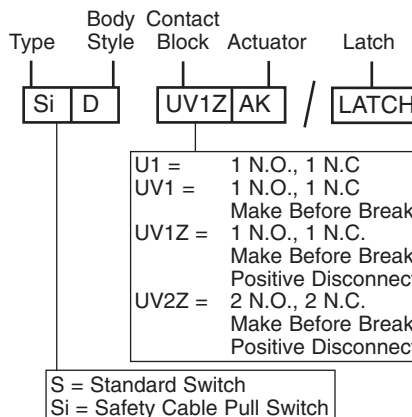
### Single Direction Cable Kit

Cable Length	Part Number
15 ft.	8010-448-001
30 ft.	8010-448-002
75 ft.	8010-448-003

### Each One Way Cable Kit Includes:

- Length of cable as listed
  - 1 Wrought Iron Tension Screw
  - 4 Galvanized Clamps
  - 4 Galvanized Thimbles
  - (Customer to provide Eye Screws)
- Individual accessories are also available.

## Model Identification



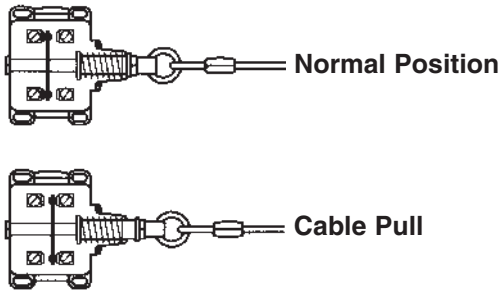
# Cable Pull Switches

For Cable Lengths of 10, 15,  
30 and 75 Feet  
Single Direction  
Mechanical and  
Installation Information

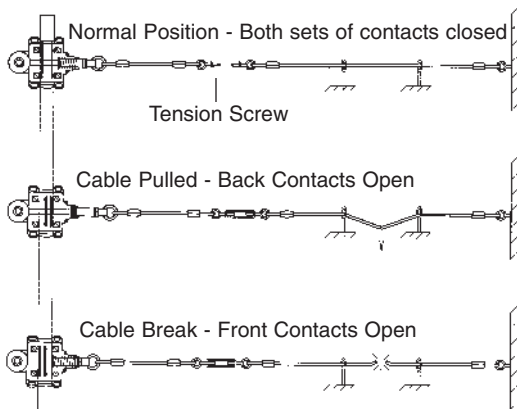
## Common Features

**Degree of Protection:** NEMA 4  
**Temperature:** -22°F to +176°F  
**Enclosure:** Die cast aluminum or glass fiber reinforced thermoplastic  
**Approvals:** UL, CSA

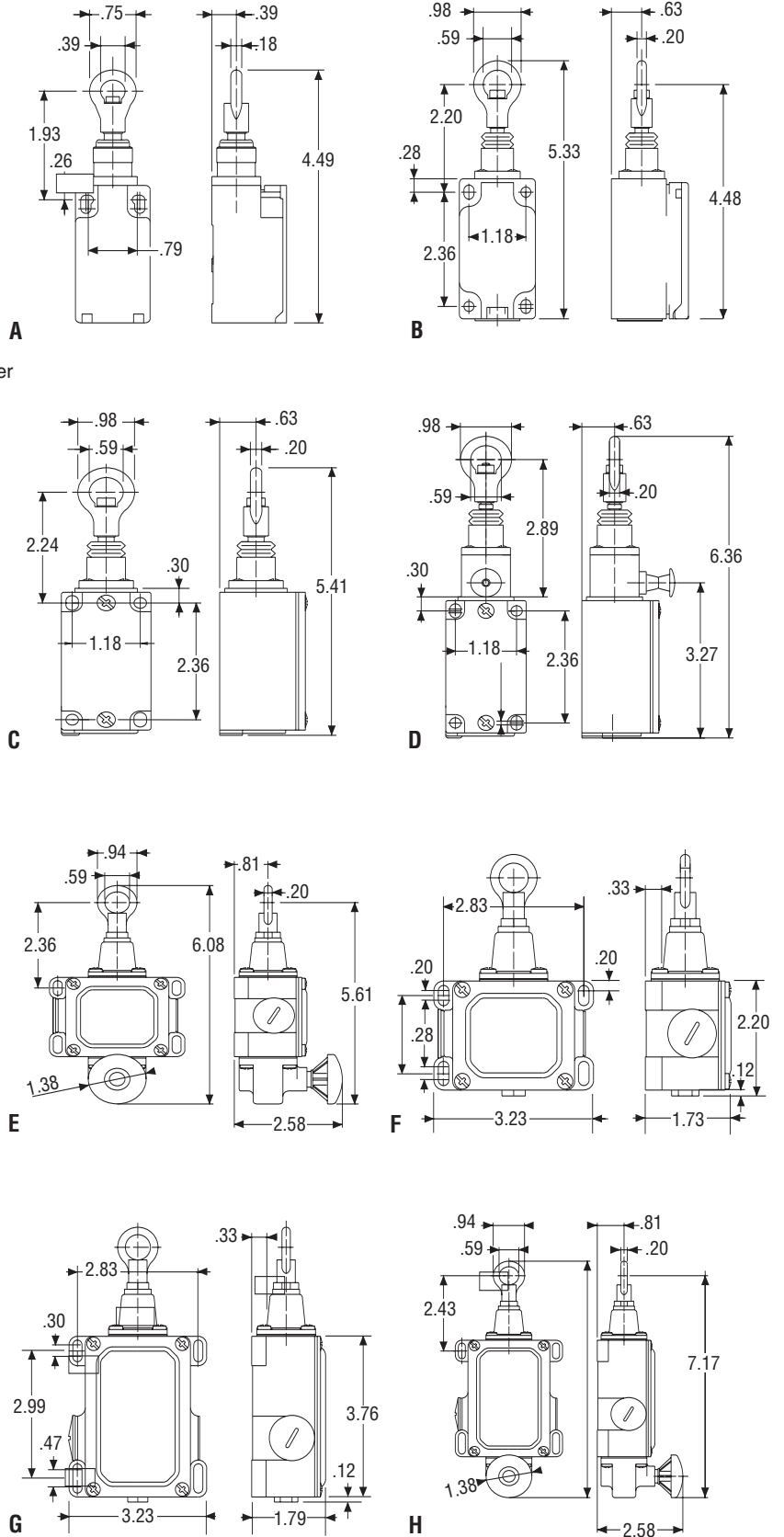
## Standard Switch Installation



## Safety Switch Installation



(Dimensions are in inches)



# Cable Pull Switches

For Cable Lengths Up To 250 Feet  
Two Way Direction  
For Standard and Safety Applications



Si1



Si2

## Description

For cable runs greater than 75 feet, two directional cable pull switches are recommended. Two directional switches can be used in applications of cable runs up to 250 feet (125 feet on each side of the installed switch). This type of cable pull switch operates with the cables under tension. During prestressing of the cable, both sets of contacts are in their original state. Pulling the cable on either side of the switch will cause the actuator on the switch to be displaced. When the displacement reaches a prespecified angle, the switch will lock and the contacts will not be able to switch back to their original state. The lock-out feature ensures that the machine cannot be restarted until the switch is manually reset by the operator. Cocking springs must be used at both ends of the installation, as shown in the Typical Installation drawing. Any cable length over 15 feet should be supported with an eye screw.

## Common Features

- Degree of Protection:** NEMA 4
- Temperature:** -22°F to +176°F
- Enclosure:** Die cast aluminum
- Latch:** Standard with pull ring reset
- Approvals:** UL, CSA, (Si1 = BG)

## Two Way Direction Accessory Cable Kit

Cable Length	Part Number
105 ft. [32 m]	8010-448-004
200 ft. [61 m]	8010-448-005
250 ft. [76 m]	8010-448-006

### Each Two Way Direction Cable Kit Includes:

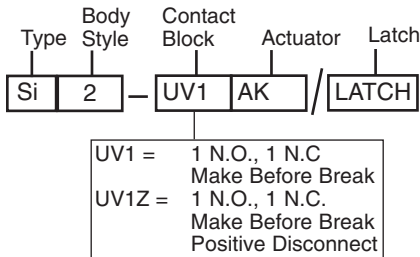
- Length of cable as listed
- 2 Tension Springs
- 4 Galvanized Clamps
- 4 Galvanized Thimbles
- (Customer to provide Eye Screws)
- Individual accessories are also available.

## Two Way Direction Safety Cable Pull Switch

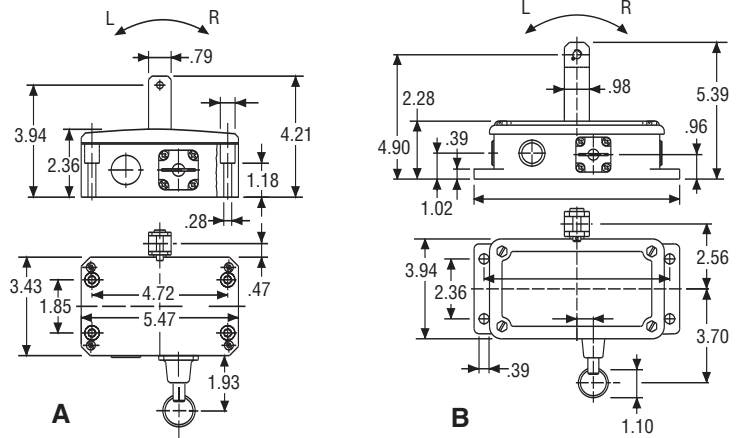
Model	Part Number	Cable Length*	Switching Angle	Voltage (max.)	Current (max.)	Drawing
Si1-UV1ZAK/LATCH	601-4735-001	225 ft.	30 Degrees	500 VAC	10 A	A
Si2-UV1AK/LATCH	601-5735-002	250 ft.	30 Degrees	500 VAC	10 A	B

\* Recommended Cable Length

## Model Identification



(Dimensions are in inches)



## Typical Installation Arrangement

