

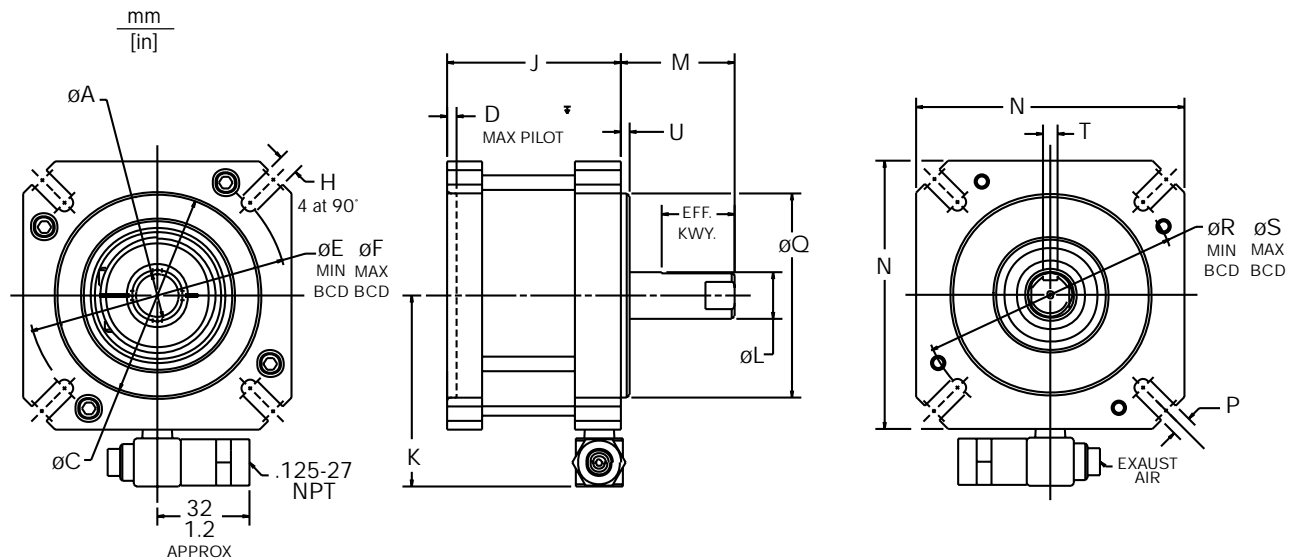
Eclipse Servo Motor Brake Flange Mounted, Air Engaged, Spring Released Sizes 2, 3, 4, and 5

The Eclipse Servo Motor Brake family now includes a line of air-engaged servo motor brakes. With superior torque outputs, the air-engaged models provide rugged durability for dynamic stopping applications. These brakes offer consistent long-lasting performance with virtually no maintenance needed.



- Air engaged, spring released
- Optimal performance in dynamic stopping applications
- Mount with true pilot mounting
- High torque when compared to electric brakes
- Zero backlash for precision holding
- Bi-directional braking
- Long facing life
- Simple installation with split hub/shaft collar
- Provides quick, safe stops and holds
- Cool operation, high efficiency, less energy consumption
- Designed for horizontal or vertical applications

Eclipse Servo Motor Brake, Approximate Dimensions & Specifications



Dimensions

| Size | Product Number | A ⁺ +03 -00 +001 -000 | C ⁺ +03 +06 +001 +002 | D | E | F | H | J | K | L ⁺ +00 -03 +000 -001 | M | N | P | Q ⁺ +00 -03 +000 -001 | R | S | T | U | KWY |
|------|----------------|--|--|----------------|----------------|----------------|--------------|--------------|-------------|--|---------------|---------------|--------------|--|----------------|----------------|---------------|----------------|---------------|
| 2 | 964621 | 14.00 [0.551] | 60.00 [2.363] | 3.1 [0.123] | 75 [2.953] | 92 [3.603] | 6 [0.24] | 49 [1.94] | 56 [2.2] | 14.00 [0.551] | 30 [1.16] | 74 [2.92] | 6 [0.24] | 60.00 [2.363] | 75 [2.953] | 92 [3.603] | 5 [0.197] | 1.5 [0.060] | 17 [0.67] |
| 3 | 964731 | 16.00 [0.630] | 70.00 [2.756] | 3.3 [0.128] | 90 [3.543] | 105 [4.131] | 7 [0.28] | 60 [2.35] | 65 [2.6] | 16.00 [0.630] | 39 [1.54] | 92 [3.62] | 7 [0.28] | 70.00 [2.756] | 90 [3.543] | 105 [4.131] | 5 [0.197] | 3.0 [0.12] | 25 [0.98] |
| 4 | 964850 | 19.00 [0.748] | 110.00 [4.331] | 3 [0.138] | 125 [4.950] | 150 [5.904] | 10 [0.39] | 80 [3.13] | 82 [3.2] | 19.00 [0.748] | 40 [1.575] | 125 [4.92] | 10 [0.39] | 110.00 [4.331] | 130 [5.118] | 150 [5.904] | 6 [0.2362] | 2.3 [0.090] | 28 [1.102] |
| 5 | 964950 | 24.00 [0.945] | 130.00 [5.118] | 6.2 [0.242] | 150 [5.906] | 186 [7.335] | 12 [0.47] | 90 [3.56] | 95 [3.7] | 24.00 [0.945] | 50 [1.969] | 150 [5.92] | 12 [0.47] | 130.00 [5.118] | 165 [6.496] | 186 [7.335] | 8 [0.3150] | 2.4 [0.094] | 33 [1.299] |

* These dimensions (A, C, L, Q) can be custom made for true pilot mounting. Contact factory for details.

Specifications

| Size | Static Torque ¹ | Recommended Max RPM ³ | Torsional Rigidity ² | Inertia ³ | Thermal HP _T | Shipping Weight |
|------|----------------------------|----------------------------------|-----------------------------------|--|--------------------------------------|----------------------|
| 2 | 1.9 Nm [17 in-lb] | 9000 | 4431 Nm/rad [3267 ft-lb/rad] | 0.197 kg-cm ² [1.74 x10 ⁻⁴ in-lb-s ²] | 56 watts [0.075 HP _T] | 1.1 kg [2.5 lbs] |
| 3 | 11.3 Nm [100 in-lb] | 8000 | 5287 Nm/rad [3900 ft-lb/rad] | 0.680 kg-cm ² [6.02 x10 ⁻⁴ in-lb-s ²] | 104 watts [0.14 HP _T] | 2.0 kg [4.5 lbs] |
| 4 | 22.6 Nm [200 in-lb] | 5000 | 7456 Nm/rad [5500 ft-lb/rad] | 2.43 kg-cm ² [2.15 x10 ⁻³ in-lb-s ²] | 135 watts [0.18 HP _T] | 4.5 kg [9.9 lbs] |
| 5 | 45.2 Nm [400 in-lb] | 4500 | 23448 Nm/rad [17294 ft-lb/rad] | 11.65 kg-cm ² [1.02 x10 ⁻² in-lb-s ²] | 149 watts [0.20 HP _T] | 7.5 kg [16.6 lbs] |

¹ Rated at 80 PSI
² Estimated Value
³ Calculated Value

In accordance with Nexen's established policy of constant product improvement, the specifications contained in this document are subject to change without notice. Technical data listed in this document are based on the latest information available at the time of printing and are also subject to change without notice. For current information, please consult www.nexengroup.com

nexen

Nexen Group, Inc.
 560 Oak Grove Parkway
 Vadnais Heights, MN 55127

800.843.7445
 Fax: 651.286.1099
www.nexengroup.com

ISO 9001 Certified



MEX (55) 53 63 23 31
 QRO (442) 1 95 72 60

MTY (81) 83 54 10 18
ventas@industrialmagza.com

©2001 Nexen Group, Inc.
 L-21092-A-0601