

FMCBE Models 70-14 & 500

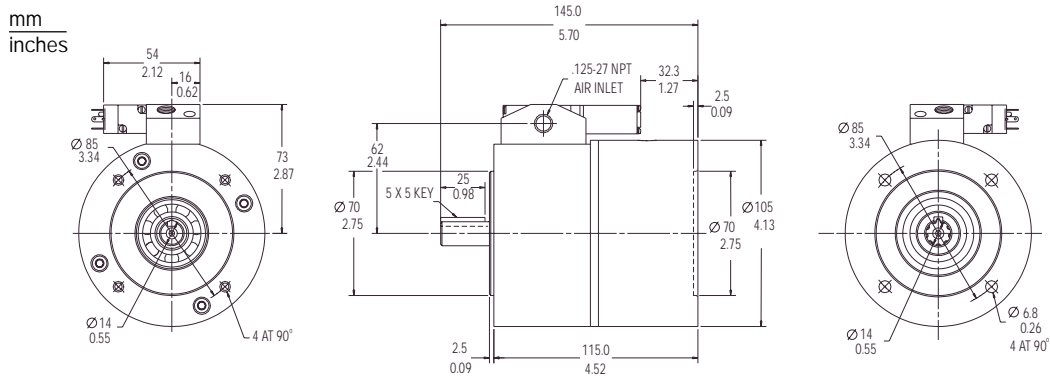
Nexen metric FMCBE, Flange Mounted Clutch-Brakes are designed for controlled starts and stops in hostile, dirty environments. The single-piston, air-engaged clutch-brakes are totally enclosed, preventing contaminants from interfering with operation of the units while keeping worn friction material from escaping into the environment.

These clutch-brakes mount directly to IEC-face and NEMA C frame motors and reducers, sizes 71A and 48Y NEMA C, providing absolute control.



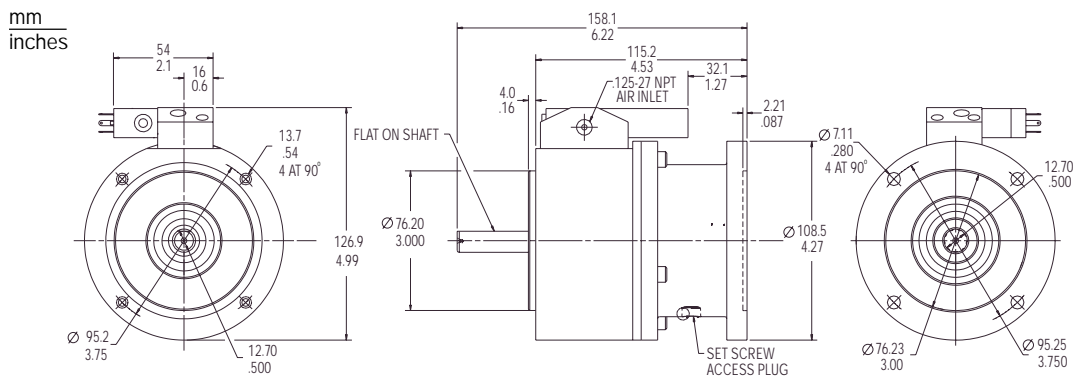
- Compatible with NEMA 48Y frame up to 0.75 Hp and with IEC-B14 face motors up to 56 kW.
- Static Torque up to 10 Nm / 89 in. lbs.(brake) and 10 Nm / 89 in. lbs. (clutch), at 5.5 bar/80 psi.
- Overhung Load Capacity up to 32 kilograms / 70 lbs.
- Design Operating Speed up to 3600 R.P.M.
- Flange mounts directly to motors and reducers.
- FMCBE available with Integral Valve combines a Flange mounted, totally-enclosed clutch/brake with a single solenoid 4-way spool valve mounted directly to the clutch/brake air chamber, eliminating the need for quick exhaust valves. Air pressure is directed to the piston to perform either clutch or brake functions. 115 Volt is standard on FMCBE.
- The Integral Valve is available for 12, 24 and 115 volt systems.
- Model 70-14 is available in black oxide coating; Model 500 in aluminum.
- Simplified; one product number for a clutch-brake combination with the integral control valve.
- The integral control valve reduces the number of air line connections for quicker install.

FMCBE 70-14, Approximate Dimensions



| Model | Product Number |
|------------------------------------|----------------|
| FMCBE 70-14 | 801360 |
| FMCBE 70-14 with Integral Valve | 801361 |

FMCBE 500, Approximate Dimensions



| Model | Product Number |
|----------------------------------|----------------|
| FMCBE 500 | 801364 |
| FMCBE 500 with Integral Valve | 801365 |

In accordance with Nexen's established policy of constant product improvement, the specifications contained in this document are subject to change without notice. Technical data listed in this document are based on the latest information available at the time of printing and are also subject to change without notice. For current information, please consult www.nexengroup.com

nexen
formerly Horton Industrial Products

Nexen Group, Inc.
560 Oak Grove Parkway
Vadnais Heights, MN
55127

800.843.7445
Fax: 651.286.1099
www.nexengroup.com
ISO 9001 Certified

©2000 Nexen Group, Inc.
21063-A-1000