



INSPIRED BY
EFFICIENCY

PRODUCT INFORMATION



INTERROLL BELT CONVEYORS

FOR UNIT LOAD AND PARTS HANDLING



BM 4060



BM 4061



BM 4062

Technical Data

General technical data

Max. load capacity	12 lb/ft (20 kg/m)
Conveyor speed	30 ft/min (variable speed optional)
Ambient temperature	+25 to +125 °F (-5 to +50 °C)

Drive

Available voltages	115V/1PH/60HZ 230-480V/3PH/60HZ 90VDC (for variable speed)
Motor type	.25 HP shaft-mounted gear motor
Variable speed drive	Optional 90VDC variable speed drive with face mounted dial
Diameter of drive roller	2.5" (63mm)
Diameter of return roller	2.5" (63mm)
Bearing	Self-aligning ball bearing, sealed for life

Materials

Conveyor belt	Two-ply polyester fabric with PVC or polyurethane cover capable of handling parts up to 212° F
Cleat heights	0.75" / 20mm standard, other heights available
Support stand	Mounted on height and angle adjustable "Roll Around Stand" with casters. Height adjustment accomplished using central crank handle with jackscrew, no tools required to change elevation +/- 12"

Side frame

Side frame	Aluminum extrusion, 4.125" (105mm) high
Side guide	Aluminum extrusion, 2.5" (63mm) high

The Interroll belt conveyor BM 4060, BM 4061 and BM 4062 are cleat-belt parts handling conveyors.

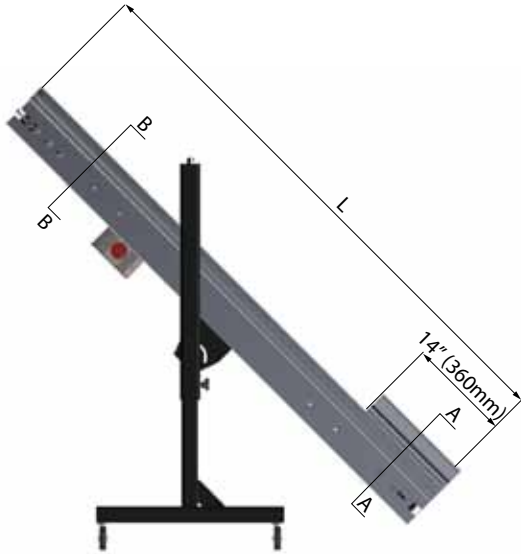


Dimension:



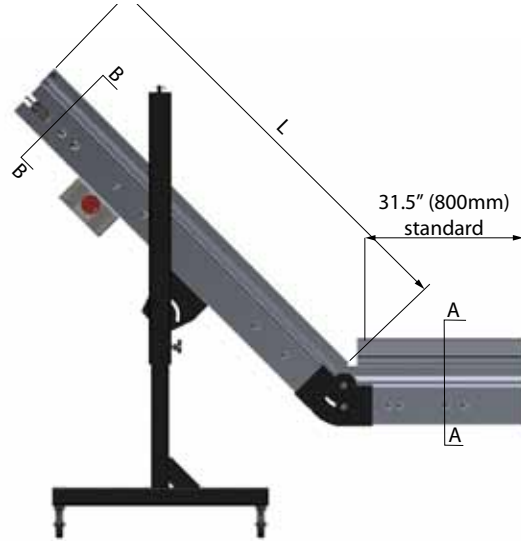
MEX (55) 53 63 23 31 MTY (81) 83 54 10 18
 QRO (442) 1 95 72 60 ventas@industrialmagza.com

Belt Conveyors
BM 4060
BM 4061
BM 4062
Incline
Head Drive



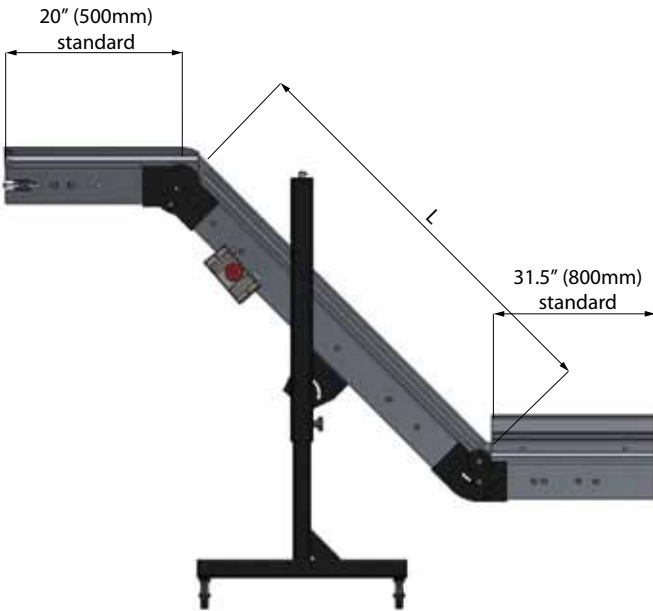
Belt Conveyor BM 4060 Dimensions

Width (BF)	6.5" - 22.5" in approx. 4" increments (170mm - 570mm in 100mm increments)
Incline length (L)	31.5" - 10'-0" (800mm - 3000mm)



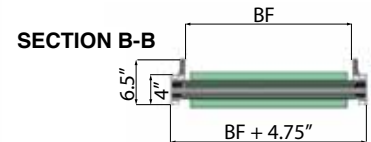
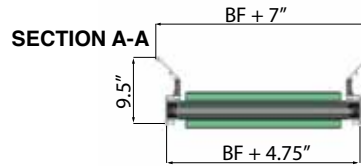
Belt Conveyor BM 4061 Dimensions

Width (BF)	6.5" - 22.5" in approx. 4" increments (170mm - 570mm in 100mm increments)
Incline length (L)	31.5" - 10'-0" (800mm - 3000mm)
Horizontal infeed length	31.5" (800mm) standard other lengths available



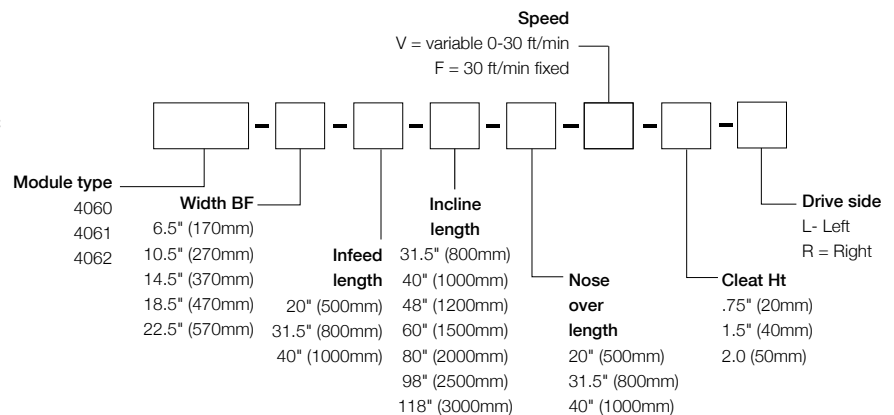
Belt Conveyor BM 4062 Dimensions

Width (BF)	6.5" - 22.5" in approx. 4" increments (170mm - 570mm in 100mm increments)
Incline length (L)	31.5" - 10'-0" (800mm - 3000mm)
Horizontal infeed length	31.5" (800mm) standard other lengths available
Upper nose over length	20" (500mm) standard other lengths available



How to order

Please create a reference number with the following configurator. All Imperial units are approximate metric equivalents.





Technical Data

General technical data

Max. load capacity	12 lb/ft (20 kg/m)
Max. total load capacity	275 lb (120 kg)
Conveyor speed	20 to 100 ft/min (0.10 to 0.50 m/s)
Inclined/declined	Not suitable
Ambient temperature	+25 to +125 °F (-5 to +50 °C)

Drive

Available voltage	115V/1PH/60HZ 230-480V/3PH/60HZ 90VDC (for variable speed)
Motor type	Max. 0.5HP/.37kW shaft-mounted gear motor
Variable speed drive	Optional 90VDC variable speed drive with face mounted dial
Diameter of drive roller	2.5" (63mm)
Diameter of idler roller	2.5" (63mm)
Bearing	Self-aligning ball bearing, sealed for life

Materials

Conveyor belt	Two-ply polyester fabric with PVC cover
Slider bed	Galvanized steel
Drive/idler roller	Aluminum extrusion with steel axles
Support legs	Fabricated steel or extruded aluminum, height adjustable

Side frame

Side frame	Aluminum extrusion, height 2.87" (73mm)
Side guide	Aluminum extrusion, 1.34" x 1.34" (34 x 34mm) overall height 3.15" (80mm) (available without side guides)

The Interroll Belt Conveyor BM 4070 is a light duty, low profile conveyor.

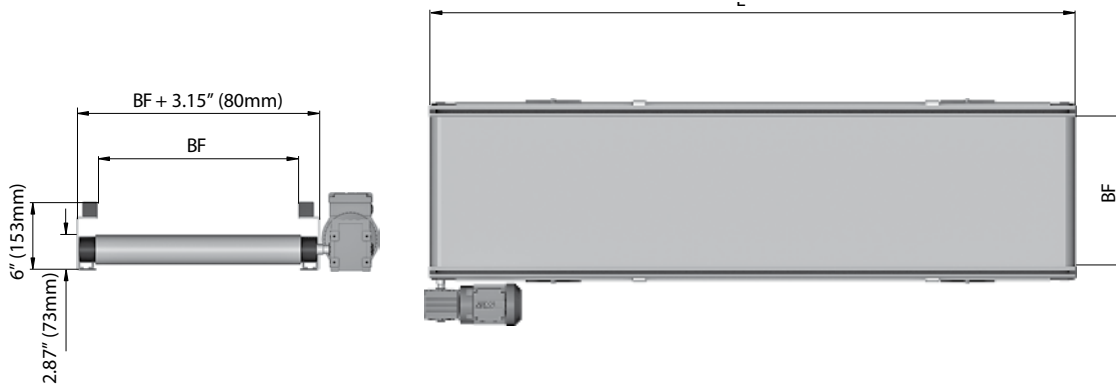


Dimension:



MEX (55) 53 63 23 31 MTY (81) 83 54 10 18
 QRO (442) 1 95 72 60 ventas@industrialmagza.com

**Belt Conveyors
 BM 4070
 Straight Horizontal
 Head Drive**

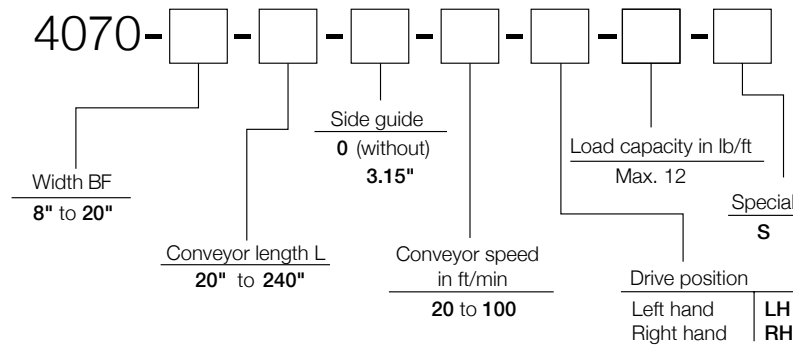


Dimensions

Width (BF)	8" to 20" in 2" increments (210 to 510mm in 50mm increments)
Conveyor length (L)	20" to 240" (510mm to 6,000mm)

How to order

Please create the reference number with the following configurator.



If you require a non-standard version, add an "S" to the end and describe your requirements.

Example of a reference number: 4070-20-120-0-40-LH-12

This reference number describes an Interroll Belt Conveyor BM 4070 with a width (BF) of 20" (510mm), a length (L) of 120" (3000mm), without side guides, a conveying speed of 40 ft/min (0.2 m/s) the drive position on the left side and a load capacity of 12 lb/ft (20 kg/m).



Technical Data

General technical data

Max. load capacity	35 lb/ft (50 kg/m)
Conveyor speed	20 to 200 ft/min (0.10 to 1.0 m/s)
Inclined/declined	Not suitable
Ambient temperature	+25 to +125 °F (-5 to +50 °C)

Drive

Available voltage	230 V / 60 Hz / 1 phase 480 V / 60 Hz / 3 phase
Motor type	Max. 1.0HP/.75kW drum motor or shaft-mounted gear motor
Diameter of drive roller	3.15" (80mm)
Diameter of idler roller	3.15" (80mm)
Bearings	Flange bearing, above 150 ft/min Self-aligning ball bearing, up to 150 ft/min

Materials

Conveyor belt	Two-ply polyester fabric with PVC cover
Slider bed	Galvanized steel or roller bed
Drive/idler roller	Aluminum extrusion with steel axles
Support legs	Fabricated steel or extruded aluminum, height adjustable

Side frame

Side frame	Aluminum extrusion, height 4.75" (120mm)
Side guards (optional)	Fabricated steel or aluminum extrusion

The Interroll Belt Conveyor BM 4081 is a slider bed conveyor suitable for transporting boxes, containers, etc.

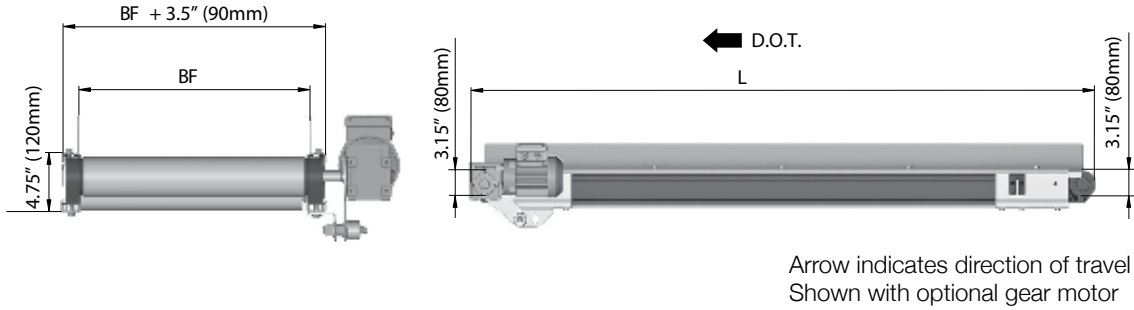


Dimension:



MEX (55) 53 63 23 31 MTY (81) 83 54 10 18
 QRO (442) 1 95 72 60 ventas@industrialmagza.com

**Belt Conveyors
 BM 4081
 Straight Horizontal
 Head Drive**



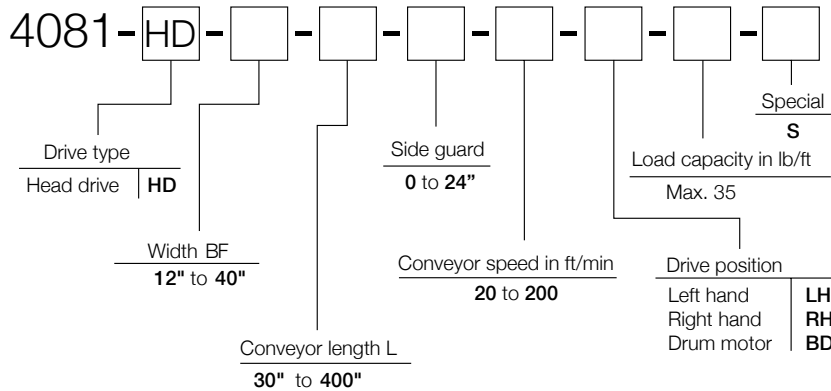
Arrow indicates direction of travel
 Shown with optional gear motor

Dimensions

Width (BF)	12" to 40" in 2" increments (310 to 1010mm in 50mm increments)
Conveyor length (L)	30" to 400" (762mm to 10,000mm)

How to order

Please create a reference number with the following configurator.



If you require a non-standard version, add an "S" to the end and describe your requirements.

Example of a reference number: 4081-HD-24-120-3.15-100-LH-20

This reference number describes an Interroll Belt Conveyor BM 4081 with head drive, a width (BF) of 24" (610mm) a conveyor length (L) of 120" (3000mm), a 3.15" (80mm) side guard, a conveying speed of 100 ft/min (0.5 m/s) the drive position on the left side and a load capacity of 20 lb/ft (30 kg/m).



Technical Data

General technical data

Max. load capacity	35 lb/ft (50 kg/m)
Conveyor speed	20 to 400 ft/min (0.10 to 2 m/s)
Inclined/declined	Not suitable
Ambient temperature	+25 to +125 °F (-5 to +50 °C)

Drive

Available voltage	230 V / 60 Hz / 1 phase 480 V / 60 Hz / 3 phase
Motor type	Max. 5.0HP/3kW drum motor or shaft-mounted gear motor
Diameter of drive roller	5.25" (132mm)
Diameter of end rollers	3.15" (80mm)
Bearings	Flange bearing, above 150 ft/min Self-aligning ball bearing for speeds up to 150 ft/min

Materials

Conveyor belt	Two-ply polyester fabric with PVC cover
Slider bed	Galvanized steel or roller bed
Drive/idler roller	Aluminum extrusion with steel axles
Support legs	Fabricated steel or extruded aluminum, height adjustable

Side frame

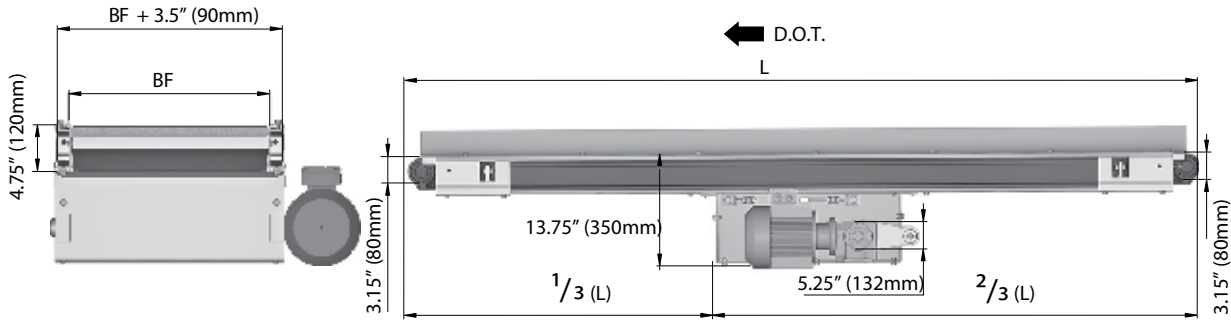
Side frame	Aluminum extrusion, height 4.75" (120mm)
Side guards (optional)	Fabricated steel or aluminum extrusion

The Interroll Belt Conveyor BM 4081 (Center Drive) is a slider bed conveyor suitable for transporting boxes, containers, etc. over long lengths.



INDUSTRIAL MAGZA MEX (55) 53 63 23 31 MTY (81) 83 54 10 18
 DIST. AUTORIZADO QRO (442) 1 95 72 60 ventas@industrialmagza.com

Dimension:



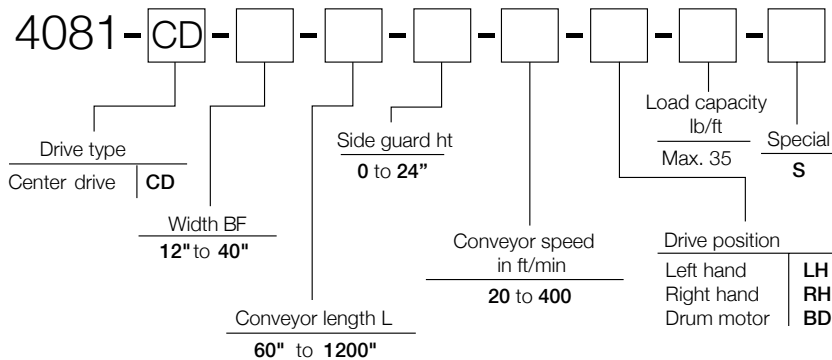
Arrow indicates direction of travel
 Shown with optional gear motor

**Belt Conveyors
 BM 4081
 Straight Horizontal
 Center Drive**

Dimensions	
Width (BF)	12" to 40" in 2" increments (310 to 1010mm in 50mm increments)
Conveyor length (L)	60" to 1200" (1500 to 30,000mm)

How to order

Please create a reference number with the following configurator.



If you require a non-standard version, add an "S" to the end and describe your requirements.

Example of a reference number: 4081-CD-24-120-3.15-100-LH-20

This reference number describes an Interroll Belt Conveyor BM 4081 with center drive, a width (BF) of 24" (610mm) a length (L) of 120" (3000mm), a 3.15 (80mm) side guard, a conveying speed of 100 ft/min (0.5 m/s) the drive position on the left side and a load capacity of 20 lb/ft (30 kg/m).

INTERROLL BELT CONVEYOR BM 4081 (CD) INCLINE/DECLINE



Technical Data

General technical data

Max. load capacity	35 lb/ft (50 kg/m)
Conveyor speed	20 to 400 ft/min (0.10 to 2 m/s)
Inclined/declined	Suitable
Ambient temperature	+25 to +125 °F (-5 to +50 °C)

Drive

Available voltage	230 V / 60 Hz / 1 phase 480 V / 60 Hz / 3 phase
Motor type	Max. 5.0HP/3.0kW drum motor or shaft-mounted gear motor
Diameter of drive roller	5.25" (132mm)
Diameter of return rollers	3.15" (80mm)
Bearing	Flange bearing, for speeds over 150 ft/min Self-aligning ball bearing, for speeds up to 150 ft/min

Materials

Conveyor belt	Two-ply polyester fabric with longitudinally grooved cover
Slider bed	Galvanized steel or roller bed
Drive/return roller	Aluminum extrusion with steel axles
Support legs	Fabricated steel or extruded aluminum, height adjustable

Side frame

Side frame	Aluminum extrusion, height 4.75" (120mm)
Side guards (optional)	Fabricated steel or aluminum extrusions

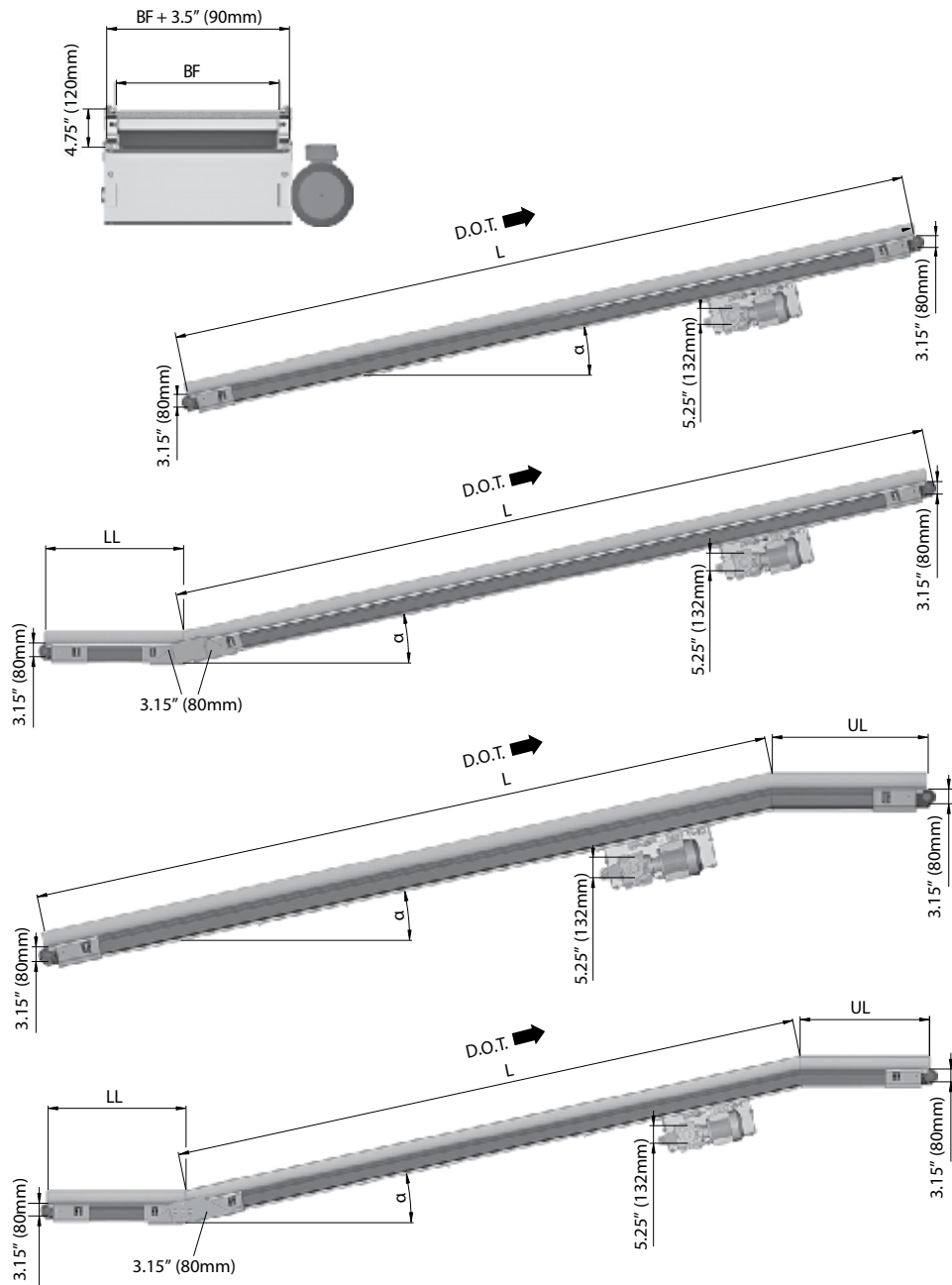
The Interroll Belt Conveyor BM 4081 Incline/Decline (Center Drive) is suitable for transporting boxes, containers, etc. on inclines and declines.



INDUSTRIAL MAGZA MEX (55) 53 63 23 31 MTY (81) 83 54 10 18
 DIST. AUTORIZADO QRO (442) 1 95 72 60 ventas@industrialmagza.com

Dimension:

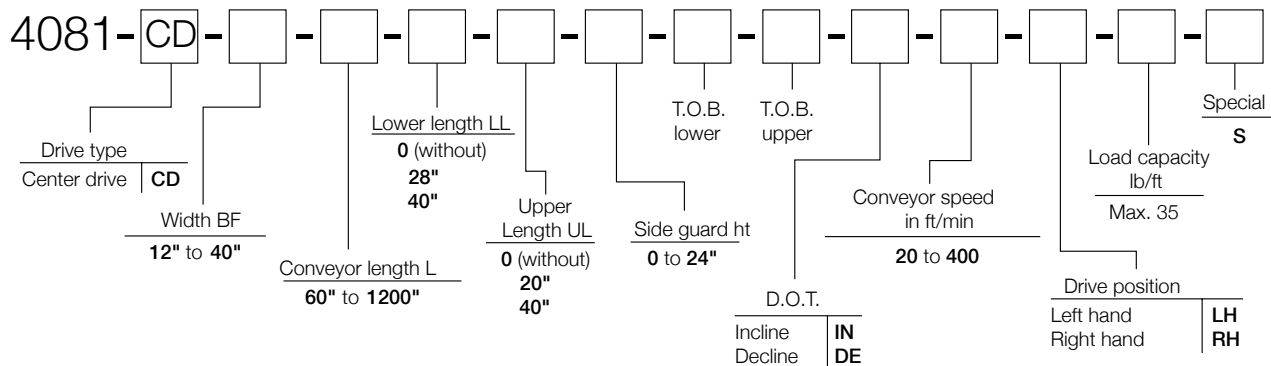
Belt Conveyors
BM 4081
 Straight Horizontal
 Incline/Decline



Arrow indicates direction of travel
 Shown with optional gear motor

How to order

Please create a reference number with the following configurator.





MEX (55) 53 63 23 31 MTY (81) 83 54 10 18
QRO (442) 1 95 72 60 ventas@industrialmagza.com



Interroll is the most global provider of core products for material handling solutions. Headquartered in Sant'Antonino Switzerland, Interroll is present in more than 30 countries.

Additional sales contacts and addresses are available by visiting www.interroll.com

USA Manufacturing Center

Interroll Automation, LLC
5035 Keystone Boulevard
Jeffersonville, IN 47130
Toll free: 800-492-3251
us.automation@interroll.com

Interroll reserves the right to modify the technical characteristics of all its products at any time.

Technical information, dimensions, data and characteristics are provided for reference only.

All products designed and manufactured in the United States of America.