


# Specifications for **Hoists** and **Trolleys**



The Following are trademarks of Columbus McKinnon Corporation registered in the U.S. Patent and Trademark Office: **CM, AirStar, Apollo, Lodestar, Load Limiter, Polaris, Powerstar, RailStar, ShopStar, Valustar.**

The following are trademarks of Columbus McKinnon Corporation: **ShopAir, LodeRail.**

 **INDUSTRIAL MAGZA®** MEX (55) 53 63 23 31 MTY (81) 83 54 10 18  
**DIST. AUTORIZADO** QRO (442) 1 95 72 60 [ventas@industrialmagza.com](mailto:ventas@industrialmagza.com)

# Table of Contents

## Electric Hoists—Chain

|             |       |
|-------------|-------|
| Lodestar    | 1-7   |
| Lodestar XL | 8-12  |
| ShopStar    | 13-14 |
| Valustar    | 15-16 |
| Powerstar   | 17-23 |

## Electric Hoists—Wire Rope

|         |       |
|---------|-------|
| Polaris | 24-28 |
| Apollo  | 29-33 |

## Air Hoists

|                      |       |
|----------------------|-------|
| Lodestar Air XL      | 34-37 |
| ShopAir              | 38-39 |
| Airstar              | 40-42 |
| Airstar 6            | 43-45 |
| Max Balancer         | 46-48 |
| TMM -140 Manipulator | 49-50 |

## Hand Chain Hoists

|                      |       |
|----------------------|-------|
| Hurricane 360°       | 51-52 |
| Cyclone              | 53-56 |
| Cyclone Army Type    | 57-58 |
| Cyclone Low Headroom | 59-62 |
| Series 622           | 63-64 |

## Lever Tools—Chain

|                         |       |
|-------------------------|-------|
| Series 602 Mini Ratchet | 65-66 |
| Series 653              | 67-68 |
| Puller                  | 69    |
| Short Handle Puller     | 70    |
| Rigger                  | 71    |

## Lever Tools—Wire Rope

|                         |    |
|-------------------------|----|
| Wire Rope Lever Hoist   | 72 |
| GT Series Grip and Pull | 73 |

## Trolleys

|                         |       |
|-------------------------|-------|
| Series 632 Close Radius | 74    |
| Series 84A Heavy Duty   | 75-76 |
| Series 80               | 77-78 |
| Series 633 Wide Range   | 79    |
| Railstar                | 80    |
| Tractor Drive           | 81    |

|                         |              |
|-------------------------|--------------|
| <b>Hoist Test Stand</b> | <b>82-83</b> |
|-------------------------|--------------|



# Lodestar electric chain hoist

The balanced, integrated, proven design of the Lodestar has made it the most popular electric chain hoist in the industry. Lodestar gives you more value for your money including:

- Quick change voltage board-change from low voltage to high voltage by simply repositioning receptacle
- Up to 3 ton capacities for heavy-duty industrial applications
- Gear train lifetime lubricated with non-oxidizing grease
- Precision machined and hardened liftwheel with hardened chain guides for precise chain liftwheel fit
- Gearing designed for exceptionally long life and quiet operation
- H4 duty standard
- Rugged control station (NEMA 4X)
- Hoist duty motor, standard Protector overload device and standard screw type limit switches
- Hardened, forged steel, latch type hooks and Hoistaloy load chain for long, dependable service
- Easy to install and maintain
- No special tools required to disassemble
- Lifetime warranty
- Each hoist thoroughly inspected and tested to over 125% of rated load prior to shipment
- Meets ASME B30.16
- Metric rated
- Made in U.S.A.



## Special applications

- Harsh environment hoists available for severe duty of plating, galvanizing and washdown applications
- Hoists with climbing capability available for temporary rigging or lifting applications — must be used in inverted position only
- Hoists with creep control allow precise positioning through field adjustment within the time delay range of .05 sec. to 3 sec.
- Articulating suspension 3 ton only

## Specifications — two speed

| Rated capacity* (tons) | Standard lift (ft.) | Lift speed (F.P.M.) | Motor H.P. | Model | Reeving | Product code† less suspension |          | Approximate shipping weight (lbs.) |
|------------------------|---------------------|---------------------|------------|-------|---------|-------------------------------|----------|------------------------------------|
|                        |                     |                     |            |       |         | 230-3-60                      | 460-3-60 |                                    |
| 1/8                    | 10                  | 10/32               | 1/4        | A2    | 1       | 2707                          | 2708     | 70                                 |
|                        | 10                  | 20/60               | 1/2        | AA2   | 1       | 2717                          | 2718     | 74                                 |
| 1/4                    | 10                  | 5/16                | 1/4        | B2    | 1       | 2727                          | 2728     | 70                                 |
|                        | 10                  | 10/32               | 1/2        | C2    | 1       | 2737                          | 2738     | 74                                 |
| 1/2                    | 10                  | 2.5/8               | 1/4        | E2    | 2       | 2747                          | 2748     | 79                                 |
|                        | 10                  | 5/16                | 1/2        | F2    | 1       | 2757                          | 2758     | 74                                 |
|                        | 10                  | 10/32               | 1          | J2    | 1       | 3502                          | 3503     | 116                                |
|                        | 10                  | 21/64               | 2          | JJ2   | 1       | 3549                          | 3550     | 130                                |
| 1                      | 10                  | 2.5/8               | 1/2        | H2    | 2       | 2767                          | 2768     | 83                                 |
|                        | 10                  | 5/16                | 1          | L2    | 1       | 3504                          | 3505     | 116                                |
|                        | 10                  | 10/32               | 2          | LL2   | 1       | 3553                          | 3554     | 130                                |
| 2                      | 10                  | 2.5/8               | 1          | R2    | 2       | 3506                          | 3507     | 136                                |
|                        | 10                  | 5/16                | 2          | RR2   | 2       | 3561                          | 3562     | 150                                |
| 3                      | 10                  | 1.75/5.5            | 1          | RT2   | 3       | 9511                          | 9513     | 161                                |
|                        | 10                  | 3.5/11              | 2          | RRT2  | 3       | 9512                          | 9514     | 175                                |

†Specify voltage 230 or 460



MEX (55) 53 63 23 31 MTY (81) 83 54 10 18  
 QRO (442) 1 95 72 60 ventas@industrialmagza.com

# Lodestar electric chain hoist - Specifications

## Specifications — single speed

| Rated capacity* (tons) | Standard lift (ft.) | Lift speed (F.P.M.) | Motor H.P. | Model | Reeving | Product code† less suspension |              | Approximate shipping weight (lbs.) |
|------------------------|---------------------|---------------------|------------|-------|---------|-------------------------------|--------------|------------------------------------|
|                        |                     |                     |            |       |         | 115-1-60                      | 230/460-3-60 |                                    |
| 1/8                    | 10                  | 32                  | 1/4        | A     | 1       | 2702                          | 2705         | 60                                 |
|                        | 10                  | 60                  | 1/2        | AA    | 1       | 2712                          | 2715         | 66                                 |
|                        | 15                  | 32                  | 1/4        | A     | 1       | 3101                          | 3103         | 64                                 |
|                        | 15                  | 60                  | 1/2        | AA    | 1       | 3111                          | 3113         | 70                                 |
|                        | 20                  | 32                  | 1/4        | A     | 1       | 3102                          | 3104         | 68                                 |
|                        | 20                  | 60                  | 1/2        | AA    | 1       | 3112                          | 3114         | 74                                 |
| 1/4                    | 10                  | 16                  | 1/4        | B     | 1       | 2722                          | 2725         | 60                                 |
|                        | 10                  | 32                  | 1/2        | C     | 1       | 2732                          | 2735         | 66                                 |
|                        | 15                  | 16                  | 1/4        | B     | 1       | 3121                          | 3123         | 64                                 |
|                        | 15                  | 32                  | 1/2        | C     | 1       | 3131                          | 3133         | 70                                 |
|                        | 20                  | 16                  | 1/4        | B     | 1       | 3122                          | 3124         | 68                                 |
|                        | 20                  | 32                  | 1/2        | C     | 1       | 3132                          | 3134         | 74                                 |
| 1/2                    | 10                  | 8                   | 1/4        | E     | 2       | 2742                          | 2745         | 69                                 |
|                        | 10                  | 16                  | 1/2        | F     | 1       | 2752                          | 2755         | 66                                 |
|                        | 10                  | 32                  | 1          | J     | 1       | 3512                          | 3515         | 110                                |
|                        | 10                  | 64                  | 2          | JJ    | 1       | —                             | 3545         | 117                                |
|                        | 15                  | 8                   | 1/4        | E     | 2       | 3141                          | 3143         | 76                                 |
|                        | 15                  | 16                  | 1/2        | F     | 1       | 3151                          | 3153         | 70                                 |
|                        | 15                  | 32                  | 1          | J     | 1       | 4212                          | 4214         | 116                                |
|                        | 15                  | 64                  | 2          | JJ    | 1       | —                             | 4244         | 123                                |
|                        | 20                  | 8                   | 1/4        | E     | 2       | 3142                          | 3144         | 83                                 |
|                        | 20                  | 16                  | 1/2        | F     | 1       | 3152                          | 3154         | 74                                 |
|                        | 20                  | 32                  | 1          | J     | 1       | 4213                          | 4215         | 121                                |
|                        | 20                  | 64                  | 2          | JJ    | 1       | —                             | 4245         | 128                                |
| 1                      | 10                  | 8                   | 1/2        | H     | 2       | 2762                          | 2765         | 75                                 |
|                        | 10                  | 16                  | 1          | L     | 1       | 3522                          | 3525         | 110                                |
|                        | 10                  | 32                  | 2          | LL    | 1       | —                             | 3555         | 117                                |
|                        | 15                  | 8                   | 1/2        | H     | 2       | 3161                          | 3163         | 82                                 |
|                        | 15                  | 16                  | 1          | L     | 1       | 4222                          | 4224         | 116                                |
|                        | 15                  | 32                  | 2          | LL    | 1       | —                             | 4254         | 123                                |
|                        | 20                  | 8                   | 1/2        | H     | 2       | 3162                          | 3164         | 89                                 |
|                        | 20                  | 16                  | 1          | L     | 1       | 4223                          | 4225         | 121                                |
|                        | 20                  | 32                  | 2          | LL    | 1       | —                             | 4255         | 128                                |
| 2                      | 10                  | 8                   | 1          | R     | 2       | 3532                          | 3535         | 130                                |
|                        | 10                  | 16                  | 2          | RR    | 2       | —                             | 3565         | 137                                |
|                        | 15                  | 8                   | 1          | R     | 2       | 4232                          | 4234         | 140                                |
|                        | 15                  | 16                  | 2          | RR    | 2       | —                             | 4264         | 147                                |
|                        | 20                  | 8                   | 1          | R     | 2       | 4233                          | 4235         | 150                                |
|                        | 20                  | 16                  | 2          | RR    | 2       | —                             | 4265         | 157                                |
| 3                      | 10                  | 5.5                 | 1          | RT    | 3       | 9501                          | 9505         | 155                                |
|                        | 10                  | 11                  | 2          | RRT   | 3       | —                             | 9508         | 162                                |
|                        | 15                  | 5.5                 | 1          | RT    | 3       | 9502                          | 9506         | 169                                |
|                        | 15                  | 11                  | 2          | RRT   | 3       | —                             | 9509         | 176                                |
|                        | 20                  | 5.5                 | 1          | RT    | 3       | 9503                          | 9507         | 183                                |
|                        | 20                  | 11                  | 2          | RRT   | 3       | —                             | 9510         | 190                                |

†Single speed hoist factory wired 460V, convertible to 230V.



**INDUSTRIAL MAGZA**  
DIST. AUTORIZADO

MEX (55) 53 63 23 31  
QRO (442) 1 95 72 60

MTY (81) 83 54 10 18  
ventas@industrialmagza.com

# Lodestar with hook suspension

## Clearance dimensions (in.)

| Dimension | Lodestar models                 |                                 |                                  |                                  |                                  |                                  |
|-----------|---------------------------------|---------------------------------|----------------------------------|----------------------------------|----------------------------------|----------------------------------|
|           | A,B,C,F and AA                  | E and H                         | J, L, JJ and LL                  | R                                | RR                               | RT and RRT                       |
| A         | 16 <sup>1</sup> / <sub>4</sub>  | 19 <sup>5</sup> / <sub>8</sub>  | 18 <sup>9</sup> / <sub>16</sub>  | 24 <sup>1</sup> / <sub>8</sub>   | 24 <sup>1</sup> / <sub>8</sub>   | 29 <sup>9</sup> / <sub>16</sub>  |
| B         | 6 <sup>1</sup> / <sub>8</sub>   | 6 <sup>1</sup> / <sub>8</sub>   | 7 <sup>5</sup> / <sub>8</sub>    | 7 <sup>5</sup> / <sub>8</sub>    | 7 <sup>5</sup> / <sub>8</sub>    | 7 <sup>5</sup> / <sub>8</sub>    |
| C         | 1 <sup>1</sup> / <sub>16</sub>  | 7 <sup>7</sup> / <sub>8</sub>   | 7 <sup>7</sup> / <sub>8</sub>    | 1 <sup>1</sup> / <sub>8</sub>    | 1 <sup>1</sup> / <sub>8</sub>    | 1 <sup>1</sup> / <sub>8</sub>    |
| D         | 11                              | 11                              | 9 <sup>1</sup> / <sub>2</sub>    | 9 <sup>1</sup> / <sub>2</sub>    | 9 <sup>1</sup> / <sub>2</sub>    | 9 <sup>1</sup> / <sub>2</sub>    |
| F         | 7 <sup>3</sup> / <sub>4</sub>   | 7 <sup>3</sup> / <sub>4</sub>   | 10 <sup>11</sup> / <sub>16</sub> | 10 <sup>11</sup> / <sub>16</sub> | 10 <sup>11</sup> / <sub>16</sub> | 10 <sup>11</sup> / <sub>16</sub> |
| H         | 1                               | 1 <sup>3</sup> / <sub>16</sub>  | 1 <sup>3</sup> / <sub>16</sub>   | 1 <sup>1</sup> / <sub>2</sub>    | 1 <sup>1</sup> / <sub>2</sub>    | 1 <sup>1</sup> / <sub>2</sub>    |
| I         | 4 <sup>13</sup> / <sub>16</sub> | 3 <sup>7</sup> / <sub>8</sub>   | 7 <sup>1</sup> / <sub>4</sub>    | 6 <sup>3</sup> / <sub>16</sub>   | 6 <sup>3</sup> / <sub>16</sub>   | 6 <sup>3</sup> / <sub>16</sub>   |
| J         | 3 <sup>15</sup> / <sub>16</sub> | 4 <sup>7</sup> / <sub>8</sub>   | 5 <sup>7</sup> / <sub>16</sub>   | 6 <sup>1</sup> / <sub>2</sub>    | 6 <sup>1</sup> / <sub>2</sub>    | 6 <sup>1</sup> / <sub>2</sub>    |
| L         | 1 <sup>11</sup> / <sub>16</sub> | 1 <sup>11</sup> / <sub>16</sub> | 7 <sup>1</sup> / <sub>16</sub>   | 7 <sup>1</sup> / <sub>16</sub>   | 7 <sup>1</sup> / <sub>16</sub>   | 7 <sup>1</sup> / <sub>16</sub>   |
| M         | 1                               | 1 <sup>1</sup> / <sub>8</sub>   | 1 <sup>1</sup> / <sub>8</sub>    | 1 <sup>5</sup> / <sub>16</sub>   | 1 <sup>5</sup> / <sub>16</sub>   | 1 <sup>5</sup> / <sub>16</sub>   |
| P         | 6 <sup>5</sup> / <sub>8</sub>   | 6 <sup>9</sup> / <sub>16</sub>  | 7 <sup>13</sup> / <sub>16</sub>  | 7 <sup>13</sup> / <sub>16</sub>  | 7 <sup>13</sup> / <sub>16</sub>  | 7 <sup>13</sup> / <sub>16</sub>  |
| R*        | 9 <sup>7</sup> / <sub>8</sub>   | 12 <sup>7</sup> / <sub>8</sub>  | 12 <sup>7</sup> / <sub>8</sub>   | 18 <sup>7</sup> / <sub>8</sub>   | 18 <sup>7</sup> / <sub>8</sub>   | 24 <sup>7</sup> / <sub>8</sub>   |
| AP        | 9 <sup>1</sup> / <sub>4</sub>   | 9 <sup>9</sup> / <sub>16</sub>  | 10 <sup>11</sup> / <sub>16</sub> | 11 <sup>3</sup> / <sub>16</sub>  | 11 <sup>3</sup> / <sub>16</sub>  | 12 <sup>9</sup> / <sub>16</sub>  |

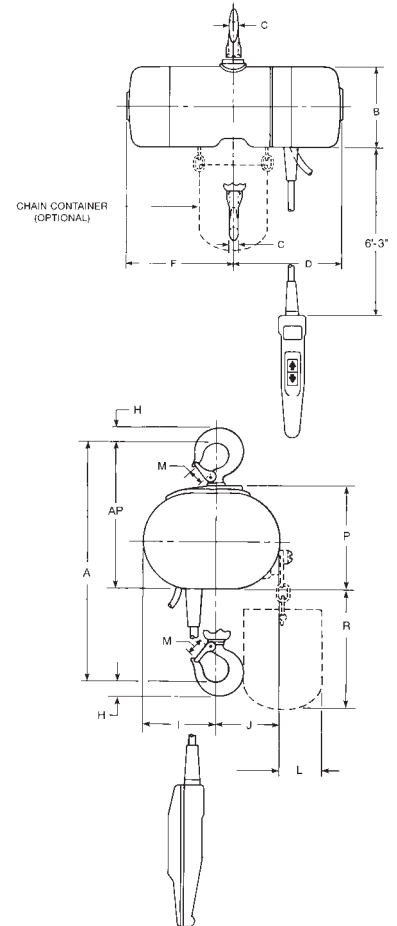
\* Based on 10 ft. lift and increases proportionately with longer lifts



## Suspension specifications

| Type                           | Product code | Models     |
|--------------------------------|--------------|------------|
| Swivel hook                    | 2792         | A-AA-B-C-F |
| Swivel hook                    | 2793         | E-H        |
| Swivel hook                    | 3661         | J-L-JJ-LL  |
| Swivel hook                    | 3660         | R-RR       |
| Swivel hook                    | 9557         | RT-RRT     |
| Swivel latchlok hook           | 2796         | A-AA-B-C-F |
| Swivel latchlok hook           | 3662         | J-L-JJ-LL  |
| Swivel latchlok hook           | 3663         | R-RR       |
| Rigid lug for low head trolley | 2778         | A-AA-B-C-F |
| Rigid lug for low head trolley | 2779         | E-H        |
| Rigid lug for low head trolley | 3677         | J-L-JJ-LL  |
| Rigid lug for low head trolley | 3668         | R-RR       |
| Rigid lug for low head trolley | 9561         | RT-RRT     |
| Rigid hook                     | 2788         | A-AA-B-C-F |
| Rigid hook                     | 2789         | E-H        |
| Rigid hook                     | 3651         | J-L-JJ-LL  |
| Rigid hook                     | 3658         | R-RR       |
| Rigid hook                     | 9559         | RT-RRT     |
| Rigid latchlok hook            | 2790         | A-AA-B-C-F |
| Rigid latchlok hook            | 3652         | J-L-JJ-LL  |

Note: 3 ton lug suspension prevents hoist from rotating but allows hoist to articulate below trolley



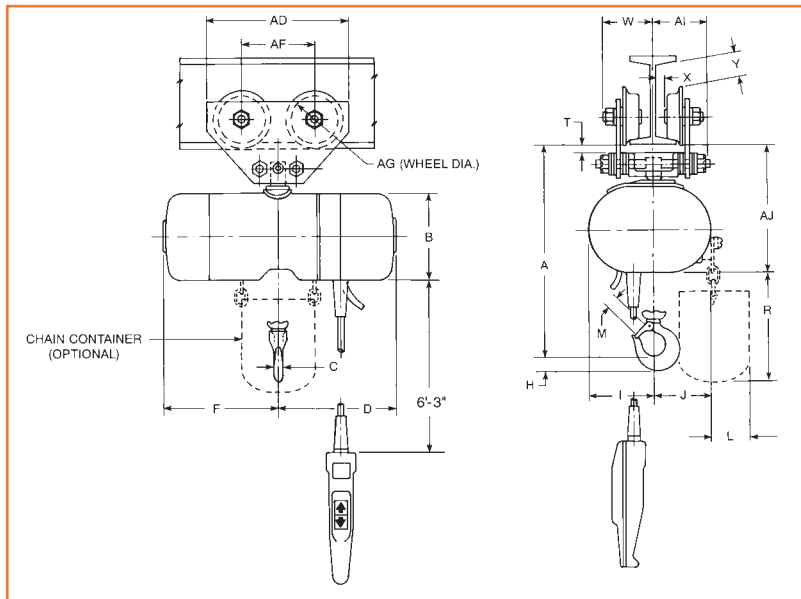
**\* ⚠ WARNING**

**Overloading and improper use can result in injury.**

**To avoid injury:**

- Do not exceed working load limit, load rating capacity
- Do not use to lift people or loads over people.
- use only alloy chain for overhead lifting.
- Read and follow all instructions.

# Lodestar with Series 635 low headroom trolley



## Clearance dimensions (in.)

| Dimension | Lodestar models                 |                                 |                                  |                                  |                                  |                                  |
|-----------|---------------------------------|---------------------------------|----------------------------------|----------------------------------|----------------------------------|----------------------------------|
|           | A,B,C,F and AA                  | E and H                         | J, L, JJ and LL                  | R                                | RR                               | RT and RRT                       |
| A         | 16 <sup>5</sup> / <sub>16</sub> | 19 <sup>1</sup> / <sub>4</sub>  | 18 <sup>1</sup> / <sub>4</sub>   | 23 <sup>3</sup> / <sub>4</sub>   | 23 <sup>3</sup> / <sub>4</sub>   | 30 <sup>1</sup> / <sub>8</sub>   |
| B         | 6 <sup>1</sup> / <sub>8</sub>   | 6 <sup>1</sup> / <sub>8</sub>   | 7 <sup>5</sup> / <sub>8</sub>    | 7 <sup>5</sup> / <sub>8</sub>    | 7 <sup>5</sup> / <sub>8</sub>    | 7 <sup>5</sup> / <sub>8</sub>    |
| C         | 1 <sup>1</sup> / <sub>16</sub>  | 7 <sup>7</sup> / <sub>8</sub>   | 7 <sup>7</sup> / <sub>8</sub>    | 1 <sup>1</sup> / <sub>8</sub>    | 1 <sup>1</sup> / <sub>8</sub>    | 1 <sup>1</sup> / <sub>8</sub>    |
| D         | 11                              | 11                              | 9 <sup>1</sup> / <sub>2</sub>    | 9 <sup>1</sup> / <sub>2</sub>    | 9 <sup>1</sup> / <sub>2</sub>    | 9 <sup>1</sup> / <sub>2</sub>    |
| F         | 7 <sup>3</sup> / <sub>4</sub>   | 7 <sup>3</sup> / <sub>4</sub>   | 10 <sup>11</sup> / <sub>16</sub> | 10 <sup>11</sup> / <sub>16</sub> | 10 <sup>11</sup> / <sub>16</sub> | 10 <sup>11</sup> / <sub>16</sub> |
| H         | 1                               | 1 <sup>3</sup> / <sub>16</sub>  | 1 <sup>3</sup> / <sub>16</sub>   | 1 <sup>1</sup> / <sub>2</sub>    | 1 <sup>1</sup> / <sub>2</sub>    | 1 <sup>1</sup> / <sub>2</sub>    |
| I         | 4 <sup>13</sup> / <sub>16</sub> | 3 <sup>7</sup> / <sub>8</sub>   | 7 <sup>1</sup> / <sub>4</sub>    | 6 <sup>3</sup> / <sub>16</sub>   | 6 <sup>3</sup> / <sub>16</sub>   | 6 <sup>3</sup> / <sub>16</sub>   |
| J         | 3 <sup>15</sup> / <sub>16</sub> | 4 <sup>7</sup> / <sub>8</sub>   | 5 <sup>7</sup> / <sub>16</sub>   | 6 <sup>1</sup> / <sub>2</sub>    | 6 <sup>1</sup> / <sub>2</sub>    | 6 <sup>1</sup> / <sub>2</sub>    |
| L         | 1 <sup>11</sup> / <sub>16</sub> | 1 <sup>11</sup> / <sub>16</sub> | 7 <sup>1</sup> / <sub>16</sub>   | 7 <sup>1</sup> / <sub>16</sub>   | 7 <sup>1</sup> / <sub>16</sub>   | 7 <sup>1</sup> / <sub>16</sub>   |
| M         | 1                               | 1 <sup>1</sup> / <sub>8</sub>   | 1 <sup>1</sup> / <sub>8</sub>    | 1 <sup>5</sup> / <sub>16</sub>   | 1 <sup>5</sup> / <sub>16</sub>   | 1 <sup>5</sup> / <sub>16</sub>   |
| R†        | 9 <sup>7</sup> / <sub>8</sub>   | 12 <sup>7</sup> / <sub>8</sub>  | 12 <sup>7</sup> / <sub>8</sub>   | 18 <sup>7</sup> / <sub>8</sub>   | 18 <sup>7</sup> / <sub>8</sub>   | 24 <sup>7</sup> / <sub>8</sub>   |
| T         | 1 <sup>3</sup> / <sub>16</sub>  | 1 <sup>3</sup> / <sub>16</sub>  | 1 <sup>3</sup> / <sub>16</sub>   | 7 <sup>7</sup> / <sub>8</sub>    | 7 <sup>7</sup> / <sub>8</sub>    | 5 <sup>1</sup> / <sub>16</sub>   |
| W         | 3                               | 3                               | 3                                | 3 <sup>5</sup> / <sub>8</sub>    | 3 <sup>5</sup> / <sub>8</sub>    | 4 <sup>1</sup> / <sub>8</sub>    |
| X         | 5 <sup>1</sup> / <sub>16</sub>  | 5 <sup>1</sup> / <sub>16</sub>  | 5 <sup>1</sup> / <sub>16</sub>   | 1 <sup>1</sup> / <sub>2</sub>    | 1 <sup>1</sup> / <sub>2</sub>    | 9 <sup>1</sup> / <sub>16</sub>   |
| Y         | 1 <sup>1</sup> / <sub>16</sub>  | 1 <sup>1</sup> / <sub>16</sub>  | 1 <sup>1</sup> / <sub>16</sub>   | 3 <sup>1</sup> / <sub>16</sub>   | 3 <sup>1</sup> / <sub>16</sub>   | 2 <sup>5</sup> / <sub>8</sub>    |
| AD        | 9 <sup>3</sup> / <sub>4</sub>   | 9 <sup>3</sup> / <sub>4</sub>   | 9 <sup>3</sup> / <sub>4</sub>    | 13                               | 13                               | 12 <sup>1</sup> / <sub>2</sub>   |
| AF        | 5                               | 5                               | 5                                | 6                                | 6                                | 6                                |
| AG        | 3 <sup>1</sup> / <sub>8</sub>   | 3 <sup>1</sup> / <sub>8</sub>   | 3 <sup>1</sup> / <sub>8</sub>    | 4 <sup>3</sup> / <sub>4</sub>    | 4 <sup>3</sup> / <sub>4</sub>    | 4                                |
| AI        | 4 <sup>5</sup> / <sub>8</sub>   | 4 <sup>5</sup> / <sub>8</sub>   | 4 <sup>5</sup> / <sub>8</sub>    | 5                                | 5                                | 5 <sup>1</sup> / <sub>2</sub>    |
| AJ        | 9 <sup>3</sup> / <sub>16</sub>  | 9 <sup>3</sup> / <sub>16</sub>  | 10 <sup>3</sup> / <sub>8</sub>   | 10 <sup>13</sup> / <sub>16</sub> | 10 <sup>13</sup> / <sub>16</sub> | 13 <sup>1</sup> / <sub>8</sub>   |

† Based on 10 ft. lift and increases proportionately with longer lifts

Dimensions T, W, X, Y, AI, and AJ are based on minimum beams and will vary proportionately for larger beams. 6'-3" drop of control station is for 10 foot lift hoist and increases proportionately for longer lifts.

## Specifications For Series 635 Trolley

| Rated capacity* (tons) | Product code | Models   | Std. range of adjust. Am. standard S-beams |   | Tread diameter (in.)          | Minimum radius curve (in.) | Approximate shipping weight (lbs.) |
|------------------------|--------------|----------|--|---|-------------------------------|----------------------------|------------------------------------|
|                        |              |          | Depth (in.)                                | Flange width (in.)  |                               |                            |                                    |
| 1/8 to 1               | 3575         | A – LL   | 4 – 15                                     | 2 <sup>5</sup> / <sub>8</sub> – 5 <sup>5</sup> / <sub>8</sub> | 3 <sup>1</sup> / <sub>8</sub> | 24                         | 22                                 |
| 2                      | 3569         | R – RR   | 6 – 18                                     | 3 <sup>3</sup> / <sub>8</sub> – 6                             | 4 <sup>3</sup> / <sub>4</sub> | 24                         | 52                                 |
| 3                      | 9576         | RT – RRT | 8 – 15                                     | 4 – 5 <sup>5</sup> / <sub>8</sub>                             | 4 <sup>3</sup> / <sub>4</sub> | 30                         | 58                                 |

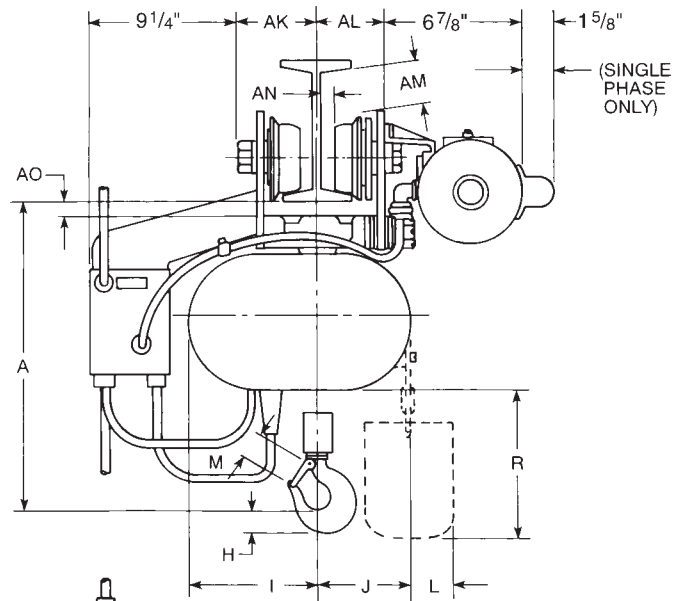
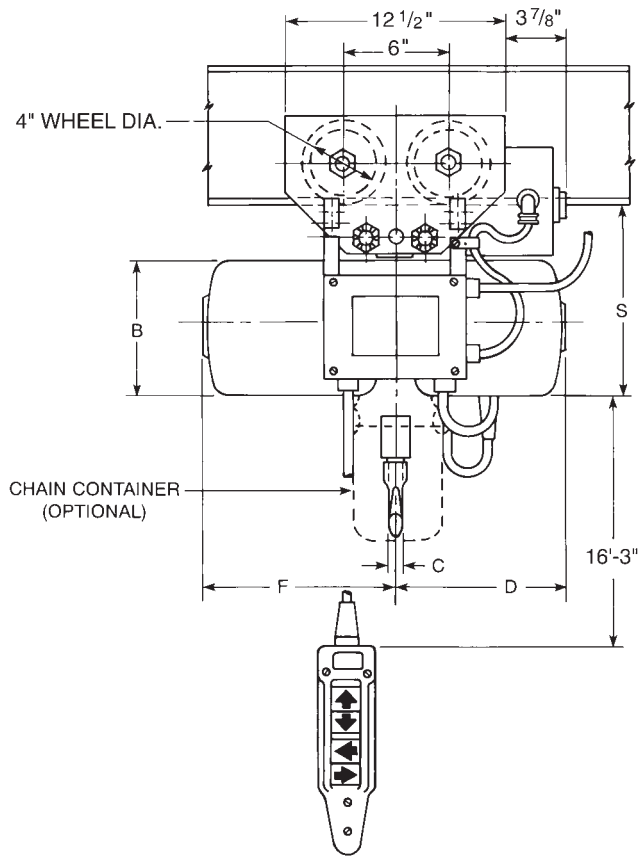
Note: Rigid lug suspension required for attaching to hoist. Apply for other than standard beam adjustment. Beam end stop omitted for 2 and 3 ton models.



**INDUSTRIAL MAGZA**  
DIST. AUTORIZADO

MEX (55) 53 63 23 31 MTY (81) 83 54 10 18  
QRO (442) 1 95 72 60 ventas@industrialmagza.com

# Lodestar with Series 635 motor driven trolley



**\* ⚠ WARNING**

Overloading and improper use can result in injury.

**To avoid injury:**

- Do not exceed working load limit, load rating capacity
- Do not use to lift people or loads over people.
- use only alloy chain for overhead lifting.
- Read and follow all instructions.





# Lodestar with Series 635 motor driven trolley-Specifications

## Clearance dimensions (in.)

| Dimension | Lodestar models †   |                    |                     |                     |                     |                     |
|-----------|---------------------|--------------------|---------------------|---------------------|---------------------|---------------------|
|           | A,B,C,F and AA      | E and H            | J, L, JJ and LL     | R                   | RR                  | RT and RRT          |
| A         | 16 <sup>13/16</sup> | 19 <sup>3/4</sup>  | 18 <sup>1/2</sup>   | 23 <sup>3/4</sup>   | 23 <sup>3/4</sup>   | 30 <sup>1/8</sup>   |
| B         | 6 <sup>1/8</sup>    | 6 <sup>1/8</sup>   | 7 <sup>5/8</sup>    | 7 <sup>5/8</sup>    | 7 <sup>5/8</sup>    | 7 <sup>5/8</sup>    |
| C         | 1 <sup>1/16</sup>   | 7/8                | 7/8                 | 1 <sup>1/8</sup>    | 1 <sup>1/8</sup>    | 1 <sup>1/8</sup>    |
| D         | 11                  | 11                 | 9 <sup>1/2</sup>    | 9 <sup>1/2</sup>    | 9 <sup>1/2</sup>    | 9 <sup>1/2</sup>    |
| F         | 7 <sup>3/4</sup>    | 7 <sup>3/4</sup>   | 10 <sup>11/16</sup> | 10 <sup>11/16</sup> | 10 <sup>11/16</sup> | 10 <sup>11/16</sup> |
| H         | 1                   | 1 <sup>3/16</sup>  | 1 <sup>3/16</sup>   | 1 <sup>1/2</sup>    | 1 <sup>1/2</sup>    | 1 <sup>1/2</sup>    |
| I         | 4 <sup>13/16</sup>  | 3 <sup>7/8</sup>   | 7 <sup>1/4</sup>    | 6 <sup>3/16</sup>   | 6 <sup>3/16</sup>   | 6 <sup>3/16</sup>   |
| J         | 3 <sup>15/16</sup>  | 4 <sup>7/8</sup>   | 5 <sup>7/16</sup>   | 6 <sup>1/2</sup>    | 6 <sup>1/2</sup>    | 6 <sup>1/2</sup>    |
| L         | 1 <sup>11/16</sup>  | 1 <sup>11/16</sup> | 7/16                | 7/16                | 7/16                | 7/16                |
| M         | 1                   | 1 <sup>1/8</sup>   | 1 <sup>1/8</sup>    | 1 <sup>5/16</sup>   | 1 <sup>5/16</sup>   | 1 <sup>5/16</sup>   |
| R**       | 9 <sup>7/8</sup>    | 12 <sup>7/8</sup>  | 12 <sup>7/8</sup>   | 18 <sup>7/8</sup>   | 18 <sup>7/8</sup>   | 24 <sup>7/8</sup>   |
| S         | 9 <sup>11/16</sup>  | 9 <sup>11/16</sup> | 10 <sup>5/8</sup>   | 10 <sup>13/16</sup> | 10 <sup>13/16</sup> | 13 <sup>1/8</sup>   |
| AK        | 3 <sup>3/4</sup>    | 3 <sup>3/4</sup>   | 3 <sup>3/4</sup>    | 3 <sup>3/4</sup>    | 3 <sup>3/4</sup>    | 4 <sup>1/4</sup>    |
| AL        | 3 <sup>1/4</sup>    | 3 <sup>1/4</sup>   | 3 <sup>1/4</sup>    | 3 <sup>1/4</sup>    | 3 <sup>1/4</sup>    | 3 <sup>3/4</sup>    |
| AM        | 5/8                 | 5/8                | 5/8                 | 5/8                 | 5/8                 | 2 <sup>5/8</sup>    |
| AN        | 5/16                | 5/16               | 5/16                | 5/16                | 5/16                | 9/16                |
| AO        | 7/8                 | 7/8                | 7/8                 | 7/8                 | 7/8                 | 1                   |

\*\* Based on 10 ft. lift and increases proportionately with longer lifts

Dimensions S, AK, AL, AM, and AO are based on minimum beams and will vary proportionately for larger beams. 16'-3" drop of control station is for 20 foot lift hoist.

† Note: Rigid lug suspension required for attaching to hoist.

## Suspension specifications

| Type                               | Product code | Models     |
|------------------------------------|--------------|------------|
| Rigid lug for motor driven trolley | 2992         | A-AA-B-C-F |
| Rigid lug for motor driven trolley | 2993         | E-H        |
| Rigid lug for motor driven trolley | 3679         | J-L-JJ-LL  |
| Rigid lug for motor driven trolley | 3668         | R-RR       |
| Rigid lug for motor driven trolley | 9561         | RT-RRT     |

Note: Beam end stop omitted for picture clarity

## Specifications — motor driven trolley

| Rated capacity* (tons) | Product code | For use with model | Power supply | Standard travel speed (F.P.M.) | Motor H.P. | Std. range of adj. Am. std. S-beams |                                     | Minimum radius curve (in.) | Approx. shipping weight (lbs.) |
|------------------------|--------------|--------------------|--------------|--------------------------------|------------|-------------------------------------|-------------------------------------|----------------------------|--------------------------------|
|                        |              |                    |              |                                |            | Depth (in.)                         | Flange width (in.)                  |                            |                                |
| 1/8 - 2                | 3670         | A-RR               | 115-1-60     | 75                             | 1/4        | 6 - 15                              | 3 <sup>3/8</sup> - 5 <sup>5/8</sup> | 30                         | 118                            |
| 1/8 - 2                | 3671         | A-RR               | 230-3-60     | 75                             | 1/4        | 6 - 15                              | 3 <sup>3/8</sup> - 5 <sup>5/8</sup> | 30                         | 118                            |
| 1/8 - 2                | 3672         | A-RR               | 460-3-60     | 75                             | 1/4        | 6 - 15                              | 3 <sup>3/8</sup> - 5 <sup>5/8</sup> | 30                         | 118                            |
| 3                      | 9577         | RT-RRT             | 115-1-60     | 75                             | 1/4        | 8 - 15                              | 4 - 5 <sup>5/8</sup>                | 30                         | 120                            |
| 3                      | 9578         | RT-RRT             | 230-3-60     | 75                             | 1/4        | 8 - 15                              | 4 - 5 <sup>5/8</sup>                | 30                         | 120                            |
| 3                      | 9579         | RT-RRT             | 460-3-60     | 75                             | 1/4        | 8 - 15                              | 4 - 5 <sup>5/8</sup>                | 30                         | 120                            |
| 1/8 - 2                | 9315         | A-RR               | 115-1-60     | 30                             | 1/4        | 6 - 15                              | 3 <sup>3/8</sup> - 5 <sup>5/8</sup> | 30                         | 113                            |
| 1/8 - 2                | 9316         | A-RR               | 230-3-60     | 30                             | 1/4        | 6 - 15                              | 3 <sup>3/8</sup> - 5 <sup>5/8</sup> | 30                         | 113                            |
| 1/8 - 2                | 9317         | A-RR               | 460-3-60     | 30                             | 1/4        | 6 - 15                              | 3 <sup>3/8</sup> - 5 <sup>5/8</sup> | 30                         | 113                            |
| 3                      | 9318         | RT-RRT             | 115-1-60     | 30                             | 1/4        | 8 - 15                              | 4 - 5 <sup>5/8</sup>                | 30                         | 120                            |
| 3                      | 9319         | RT-RRT             | 230-3-60     | 30                             | 1/4        | 8 - 15                              | 4 - 5 <sup>5/8</sup>                | 30                         | 120                            |
| 3                      | 9320         | RT-RRT             | 460-3-60     | 30                             | 1/4        | 8 - 15                              | 4 - 5 <sup>5/8</sup>                | 30                         | 120                            |

Can be modified to fit larger beams.

Apply for other than standard travel speeds.

For travel speeds in ft./min.

Beam end voltage required for ordering

INDUSTRIAL MAGAZA

DIST. AUTORIZADO

MEX (55) 53 63 23 31

QRO (442) 1 95 72 60

MTY (81) 83 54 10 18

ventas@industrialmagza.com



# Metal chain container

## Specifications

| Product code | Lodestar hoist model | Valustar hoist model | Maximum length of lift (ft.) | Length of chain bucket (in.) |
|--------------|----------------------|----------------------|------------------------------|------------------------------|
| 2450         | A-AA-B-C-F           | WB-WF                | 10                           | 8                            |
| 2451         | E-H                  | WH-WE                | 10                           | 11                           |
| 2451         | A-AA-B-C-F           | WB-WF                | 20                           | 11                           |
| 2451         | J-JJ-L-LL            | WJ-WL                | 10                           | 11                           |
| 2453         | R-RR                 | WR                   | 10                           | 17                           |
| 2453         | J-JJ-L-LL            | WJ-WL                | 20                           | 17                           |
| 2452         | E-H-J-JJ-L-LL        | WE-WH-WL-WJ          | 15                           | 14                           |
| 2453         | E-H                  | WE-WH                | 20                           | 17                           |
| 2455         | R-RR                 | WR                   | 15                           | 23                           |
| 2456         | R-RR                 | WR                   | 20                           | 31                           |
| 2455         | RT-RRT               | -                    | 10                           | 23                           |
| 2457         | RT-RRT               | -                    | 15                           | 36                           |
| 2457         | RT-RRT               | -                    | 20                           | 36                           |
| 2458         | A-AA-B-C-F           | WB-WF                | 140                          | 48                           |
| 2458         | E-H                  | WH                   | 70                           | 48                           |
| 2458         | J-JJ-L-LL            | WL                   | 90                           | 48                           |
| 2458         | R-RR                 | WR                   | 45                           | 48                           |
| 2458         | RT-RRT               | -                    | 30                           | 48                           |

- Convenient for slack chain storage
- Simple one pin attachment for easy installation
- Security cable included
- Available for every Lodestar and Valustar model
- Made in U.S.A.

## Fabric chain bag

CM's chain bags offer an alternative to the standard metal chain container for use with Lodestar or Valustar electric chain hoists. Chain bags are made from an open weave vinyl coated polyester designed especially for extended outdoor life. Not recommended for applications over 300°F, in extremely caustic environments or for chain weight exceeding 300 lbs. Features include:

- Flexible and lightweight material
- Dampens noise
- Will not hold water
- Excellent resistance to ultraviolet rays, mildew stains, rot and weather
- Moisture resistant - quick drying
- High tensile and tear strength
- Abrasion resistant
- No shrinkage
- Bags and brackets are suitable for chain weights up to 300 pounds
- Made in U.S.A.



## Specifications

| Product code | Maximum length of lift (ft.) |                  |                        |                |               | Bag size (in.) | Bag height (in.) | Approx. weight (lbs.) |
|--------------|------------------------------|------------------|------------------------|----------------|---------------|----------------|------------------|-----------------------|
|              | Models A-AA-B-C-F WB-WF      | Models E-H WH-WE | Models J,JJ,L,LL WL-WJ | Models R,RR WR | Models RT,RRT |                |                  |                       |
| 2470         | 20                           | 10               | -                      | -              | -             | 7½ x 7½        | 7                | 3                     |
| 2471         | 40                           | 20               | -                      | -              | -             | 7½ x 7½        | 10               | 3                     |
| 2472         | 60                           | 30               | -                      | -              | -             | 7½ x 7½        | 13               | 3                     |
| 2473         | 90                           | 45               | -                      | -              | -             | 7½ x 7½        | 16               | 4                     |
| 2474         | 100                          | 60               | -                      | -              | -             | 7½ x 7½        | 18               | 4                     |
| 2475         | 140                          | 90               | -                      | -              | -             | 7½ x 7½        | 20               | 4                     |
| 2476         | -                            | -                | 10                     | -              | -             | 7½ x 7½        | 7                | 3                     |
| 2477         | -                            | -                | 20                     | 10             | -             | 7½ x 7½        | 10               | 3                     |
| 2478         | -                            | -                | 30                     | 15             | 10            | 7½ x 7½        | 13               | 3                     |
| 2479         | -                            | -                | 45                     | 20             | -             | 7½ x 7½        | 16               | 4                     |
| 2480         | -                            | -                | 60                     | 30             | 20            | 7½ x 7½        | 18               | 4                     |
| 2481         | -                            | -                | 90                     | 45             | 30            | 7½ x 7½        | 20               | 4                     |

# Lodestar XL electric chain hoist

Columbus McKinnon introduces an expanded line of Lodestar XL electric chain hoists for lifting applications from 2 to 7½ tons. The new offering provides heavy-duty hoists featuring faster speeds, less reeving, and higher capacities than traditional chain hoists. Workers in automotive plants, heavy equipment manufacturing, paper mills, and related rugged work environments will experience the same dependability and versatility that they have relied on for many years.

**The NEW features of the Lodestar XL Electric Chain Hoist include:**

- Lifting capacities up to 7½ tons
- Increased lifting speeds throughout the line
- Double reeved units with 3-5 ton lifting capacities
- Maximum lifting speed of 30 feet per minute

**A glimpse of the many features of the Lodestar XL that have honed its reputation for durability and long life:**

- Heavy-duty, multiple disc braking system
- Forged ten-pocket oblique-lay liftwheel for smooth chain operation, constant chain speed, and reduced chain wear
- Gearing operated in oil bath for increased lifting life and quiet operation
- Rated H-4, heavy-duty
- Standard overload protector
- Screw-type limit switches
- Thermally protected motor
- Factory tested at 125% of rated capacity
- Made in U.S.A.



| Capacity (tons) | Reeving | Speed (fpm) | 230/460-3-60 |               |                |                      | 575-3-60 |               |                |                      |
|-----------------|---------|-------------|--------------|---------------|----------------|----------------------|----------|---------------|----------------|----------------------|
|                 |         |             | Hook         | Plain Trolley | Geared Trolley | Motor Driven Trolley | Hook     | Plain Trolley | Geared Trolley | Motor Driven Trolley |
| 2               | 1       | 18          | 5201H        | 5201P         | 5201G          | 5201M                | 5231H    | 5231P         | 5231G          | 5231M                |
| 2               | 1       | 24          | 5204H        | 5204P         | 5204G          | 5204M                | 5232H    | 5232P         | 5232G          | 5232M                |
| 2               | 1       | 30          | 5265H        | 5265P         | 5265G          | 5265M                | 5266H    | 5266P         | 5266G          | 5266M                |
| 3               | 2       | 9           | 5209H        | 5209P         | 5209G          | 5209M                | 5233H    | 5233P         | 5233G          | 5233M                |
| 3               | 2       | 12          | 5212H        | 5212P         | 5212G          | 5212M                | 5234H    | 5234P         | 5234G          | 5234M                |
| 3               | 2       | 15          | 5267H        | 5267P         | 5267G          | 5267M                | 5268H    | 5268P         | 5268G          | 5268M                |
| 4               | 2       | 9           | 5215H        | 5215P         | 5215G          | 5215M                | 5235H    | 5235P         | 5235G          | 5235M                |
| 4               | 2       | 12          | 5218H        | 5218P         | 5218G          | 5218M                | 5236H    | 5236P         | 5236G          | 5236M                |
| 4               | 2       | 15          | 5269H        | 5269P         | 5269G          | 5269M                | 5278H    | 5278P         | 5278G          | 5278M                |
| 5               | 3       | 6           | 5221H        | 5221P         | 5221G          | 5221M                | 5237H    | 5237P         | 5237G          | 5237M                |
| 5               | 3       | 8           | 5224H        | 5224P         | 5224G          | 5224M                | 5238H    | 5238P         | 5238G          | 5238M                |
| 5               | 2       | 9           | 5279H        | 5279P         | 5279G          | 5279M                | 5280H    | 5280P         | 5280G          | 5280M                |
| 5               | 2       | 12          | 5283H        | 5283P         | 5283G          | 5283M                | 5284H    | 5284P         | 5284G          | 5284M                |
| 5               | 2       | 15          | 5285H        | 5285P         | 5285G          | 5285M                | 5286H    | 5286P         | 5286G          | 5286M                |
| 6               | 3       | 6           | 5227H        | 5227P         | 5227G          | 5227M                | 5239H    | 5239P         | 5239G          | 5239M                |
| 6               | 3       | 8           | 5230H        | 5230P         | 5230G          | 5230M                | 5240H    | 5240P         | 5240G          | 5240M                |
| 6               | 3       | 10          | 5287H        | 5287P         | 5287G          | 5287M                | 5288H    | 5288P         | 5288G          | 5288M                |
| 7½              | 3       | 6           | —            | 5289P         | 5289G          | 5289M                | —        | 5290P         | 5290G          | 5290M                |
| 7½              | 3       | 10          | —            | 5291P         | 5291G          | 5291M                | —        | 5292P         | 5292G          | 5292M                |

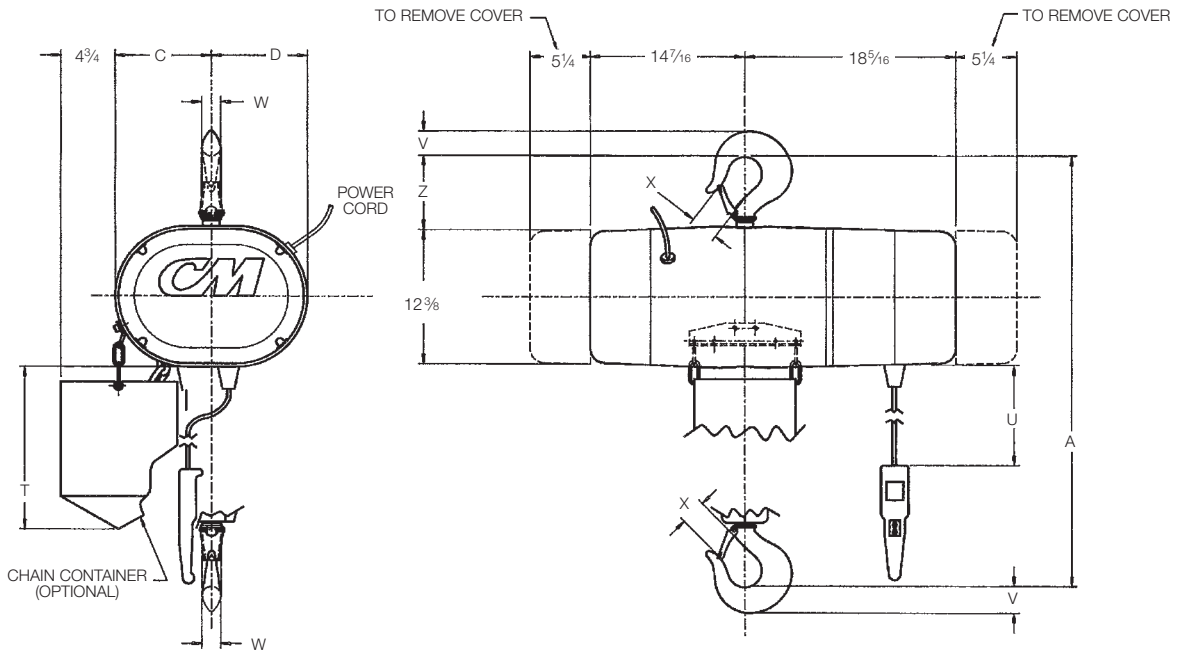
3.5 H.P. XL Models (unshaded) – Available in single speed, 3:1; two speed, variable speed

5.5 H.P. XL Models (shaded) – Available in single speed, variable speed



MEX (55) 53 63 23 31 MTY (81) 83 54 10 18  
 QRO (442) 1 95 72 60 ventas@industrialmagza.com

# Lodestar XL with hook suspension



## Clearance dimensions (in.)

| Dimensions               | Single Reeved<br>2 ton capacity | Double Reeved<br>3-5 ton capacity | Triple Reeved<br>5-6 ton capacity |
|--------------------------|---------------------------------|-----------------------------------|-----------------------------------|
| A                        | 25                              | 35 <sup>5</sup> / <sub>16</sub>   | 36 <sup>3</sup> / <sub>16</sub>   |
| C                        | 8 <sup>7</sup> / <sub>16</sub>  | 11 <sup>3</sup> / <sub>8</sub>    | 11 <sup>3</sup> / <sub>8</sub>    |
| D                        | 8 <sup>1</sup> / <sub>8</sub>   | 5 <sup>1</sup> / <sub>2</sub>     | 5 <sup>1</sup> / <sub>2</sub>     |
| T (based on 10 ft. lift) | 14 <sup>3</sup> / <sub>16</sub> | 14 <sup>3</sup> / <sub>16</sub>   | 14 <sup>3</sup> / <sub>16</sub>   |
| U (based on 10 ft. lift) | 6'- 3"                          | 6'- 3"                            | 6'- 3"                            |
| V                        | 1 <sup>1</sup> / <sub>2</sub>   | 2 <sup>1</sup> / <sub>4</sub>     | 2 <sup>1</sup> / <sub>4</sub>     |
| W                        | 1 <sup>1</sup> / <sub>8</sub>   | 1 <sup>5</sup> / <sub>8</sub>     | 1 <sup>5</sup> / <sub>8</sub>     |
| X                        | 1 <sup>5</sup> / <sub>16</sub>  | 2 <sup>1</sup> / <sub>16</sub>    | 2 <sup>1</sup> / <sub>16</sub>    |
| Z                        | 4 <sup>1</sup> / <sub>8</sub>   | 5 <sup>1</sup> / <sub>2</sub>     | 5 <sup>1</sup> / <sub>2</sub>     |



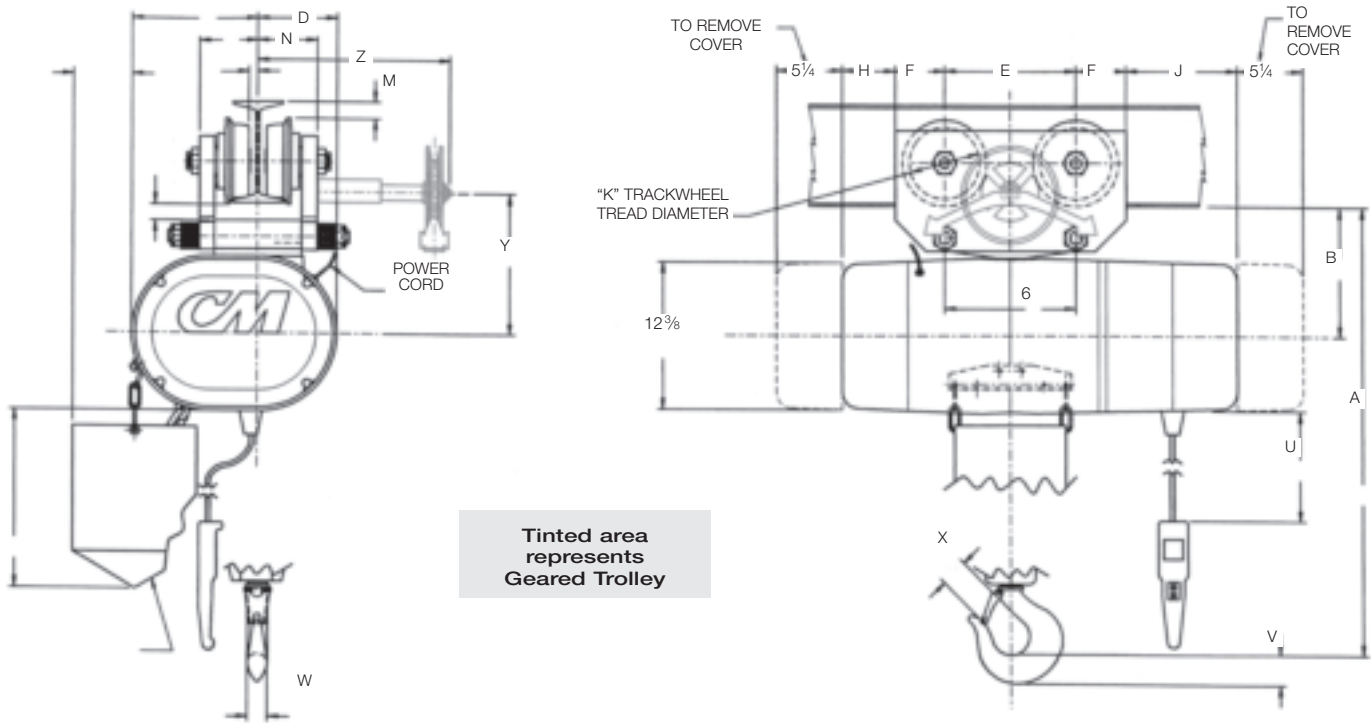
## \* ⚠ WARNING

Overloading and improper use can result in injury.

### To avoid injury:

- Do not exceed working load limit, load rating capacity
- Do not use to lift people or loads over people.
- use only alloy chain for overhead lifting.
- Read and follow all instructions.

# Lodestar XL with plain trolley and geared Trolley



Geared Trolley



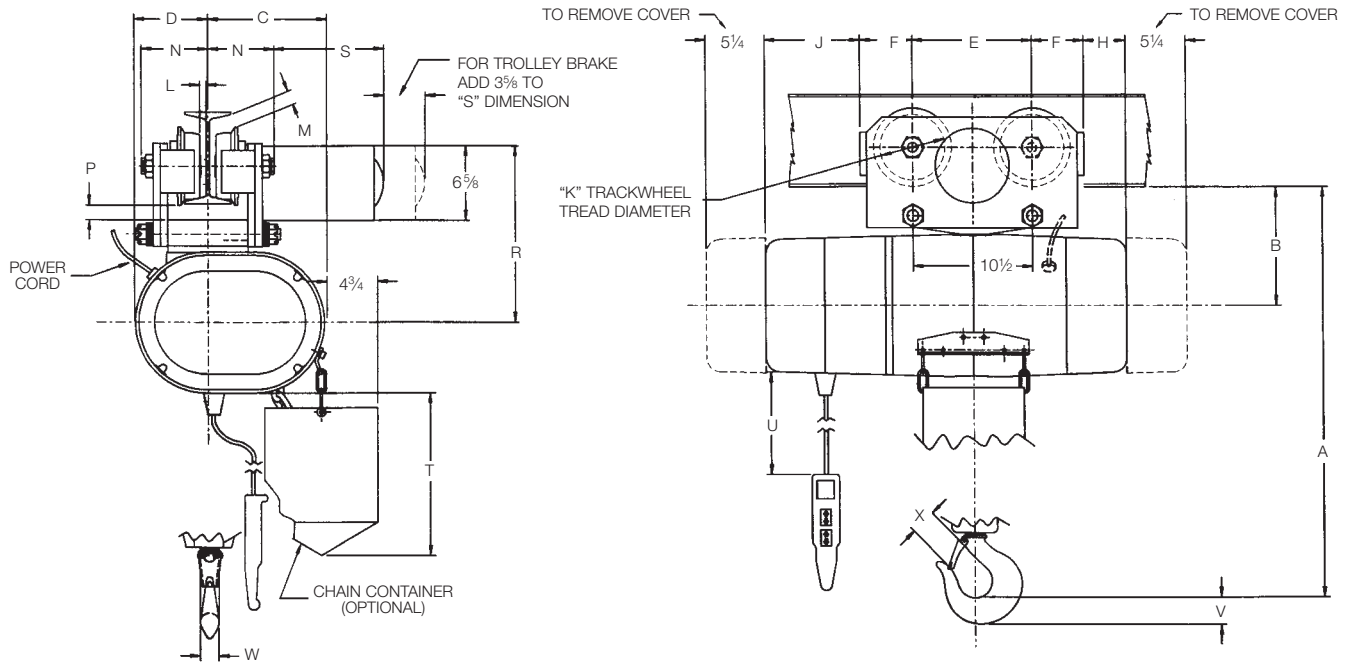
## Clearance dimensions (in.)\*\*

| Dimensions                               | Single Reeved<br>2 ton<br>capacity | Double Reeved     |                       | Triple Reeved<br>5-7 1/2 ton<br>capacity |
|--|------------------------------------|-------------------|-----------------------|--|
|  |                                    | 3 ton<br>capacity | 4 & 5 ton<br>capacity |  |
| A  | 28 1/16                            | 33 1/2            | 33 3/4                | 34 5/8                                   |
| B  | 9 3/4                              | 10 7/16           | 10 11/16              | 10 11/16                                 |
| C  | 8 7/16                             | 11 3/8            | 11 3/8                | 11 3/8                                   |
| D  | 8 3/8                              | 5 1/2             | 5 1/2                 | 5 1/2                                    |
| E  | 9 1/2                              | 9 1/8             | 12                    | 12                                       |
| F  | 3 1/2                              | 3 1/4             | 4 13/16               | 4 13/16                                  |
| H  | 5 1/4                              | 5 11/16           | 2 11/16               | 2 11/16                                  |
| J  | 10 1/16                            | 10 1/2            | 7 1/2                 | 7 1/2                                    |
| K  | 4 1/16                             | 4                 | 6 1/2                 | 6 1/2                                    |
| L  | 1/2                                | 5/8               | 5/8                   | 5/8                                      |
| M  | 1/2                                | 2 11/16           | 0                     | 0  |
| N  | 5                                  | 3 5/8             | 3 7/8                 | 3 7/8                                    |
| P  | 1 1/4                              | 3/8               | 7/16                  | 7/16                                     |
| T (based on 10 ft. lift)                 | 14 9/16                            | 14 9/16           | 14 9/16               | 14 9/16                                  |
| U (based on 10 ft. lift)                 | 6'- 3"                             | 6'- 3"            | 6'- 3"                | 6'- 3"                                   |
| V  | 1 1/2                              | 2 1/4             | 2 1/4                 | 2 1/4                                    |
| W  | 1 1/8                              | 1 5/8             | 1 5/8                 | 1 5/8                                    |
| X  | 1 5/16                             | 2 1/16            | 2 1/16                | 2 1/16                                   |
| Y*                                       | 11 5/16                            | 12 7/8            | 11 1/8                | 11 1/8                                   |
| Z*                                       | -                                  | 19 1/8            | 19 1/8                | 19 1/8                                   |
| Minimum Radius Curve (ft.)               | 4                                  | 4                 | 6                     | 6  |
| Standard Beam Flange<br>Adj. Range (in.) | 3.33-5.55                          | 4.00-6.25         | 4.00-6.25             | 4.00-6.25                                |



\*Geared Trolley Dimensions Only  
 MEX (55) 53 63 23 31 MTY (81) 83 54 10 18  
 \*\*Dimensions listed are for minimum size "S" beam.  
 QRO (442) 1 95 72 60 ventas@industrialmagza.com

# Lodestar XL with motor driven trolley (2 ton)



## Clearance dimensions (in.)\*\*

| Dimensions                               | Single Reeved<br>2 ton capacity  |
|--|----------------------------------|
| A  | 28 <sup>11</sup> / <sub>16</sub> |
| B  | 9 <sup>3</sup> / <sub>4</sub>    |
| C  | 8 <sup>7</sup> / <sub>16</sub>   |
| D  | 8 <sup>1</sup> / <sub>8</sub>    |
| E  | 9 <sup>1</sup> / <sub>2</sub>    |
| F  | 3 <sup>1</sup> / <sub>2</sub>    |
| H  | 5 <sup>1</sup> / <sub>4</sub>    |
| J  | 10 <sup>1</sup> / <sub>16</sub>  |
| K  | 4 <sup>11</sup> / <sub>16</sub>  |
| L  | 1/2                              |
| M  | 1/2                              |
| N  | 5                                |
| P  | 1 <sup>1</sup> / <sub>4</sub>    |
| R  | 14 <sup>5</sup> / <sub>8</sub>   |
| S  | 12 <sup>7</sup> / <sub>16</sub>  |
| T (based on 10 ft. lift)                 | 14 <sup>3</sup> / <sub>16</sub>  |
| U (based on 10 ft. lift)                 | 6' - 3"                          |
| V  | 1 <sup>1</sup> / <sub>2</sub>    |
| W  | 1 <sup>1</sup> / <sub>8</sub>    |
| X  | 1 <sup>5</sup> / <sub>16</sub>   |
| Minimum Radius Curve (ft.)               | 4                                |
| Standard Beam Flange<br>Adj. Range (in.) | 3.33-5.55                        |
| Trolley Speed (ft./min)                  |                                  |
| Standard Single Speed                    | 65 or 100                        |



## \* ⚠ WARNING

Overloading and improper use can result in injury.

### To avoid injury:

- Do not exceed working load limit, load rating capacity
- Do not use to lift people or loads over people.
- use only alloy chain for overhead lifting.
- Read and follow all instructions.

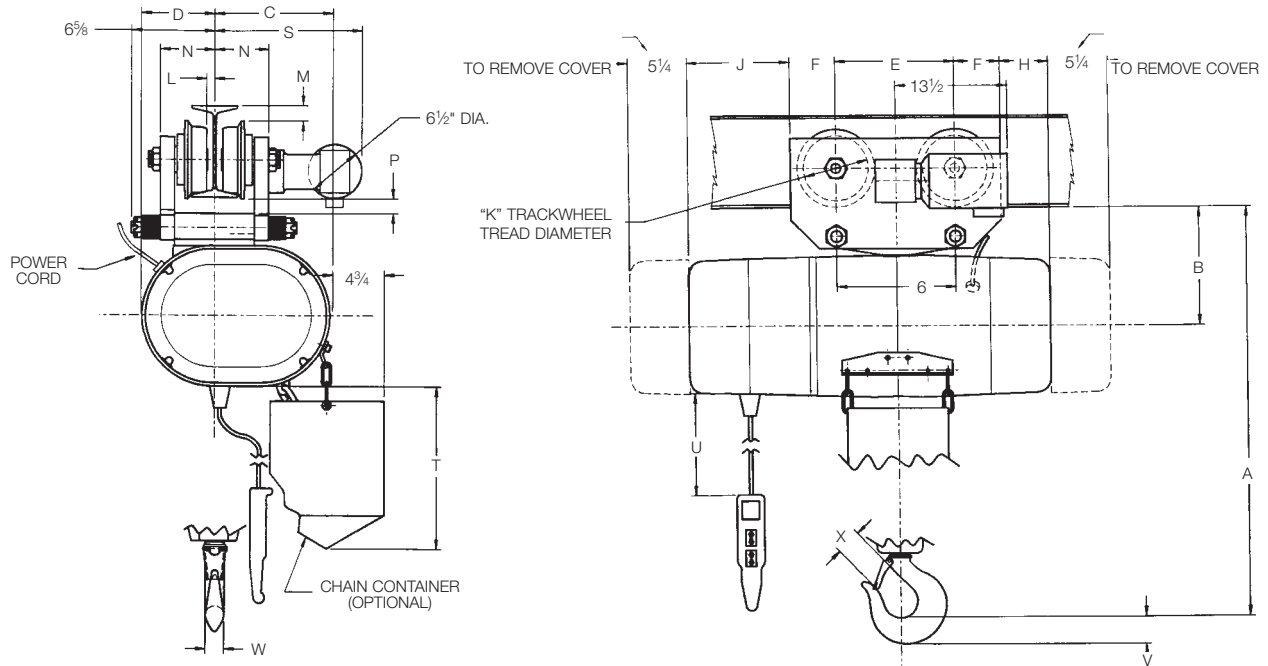
\*\*Dimensions listed are for size 1 beam.



MEX (55) 53 63 23 31  
QRO (442) 1 95 72 60

MTY (81) 83 54 10 18  
ventas@industrialmagza.com

# Lodestar XL with motor driven trolley (3-7½ ton)



### Clearance dimensions (in.)\*\*

| Dimensions                            | Double Reeved  |                    | Triple Reeved     |
|---------------------------------------|----------------|--------------------|-------------------|
|                                       | 3 ton capacity | 4 & 5 ton capacity | 5-7½ ton capacity |
| A                                     | 33½            | 33¾                | 34⅝               |
| B                                     | 10⅞            | 10⅞                | 10⅞               |
| C                                     | 11⅞            | 11⅞                | 11⅞               |
| D                                     | 5½             | 5½                 | 5½                |
| E                                     | 9⅞             | 12                 | 12                |
| F                                     | 3¼             | 4⅞                 | 4⅞                |
| H                                     | 5⅞             | 2⅞                 | 2⅞                |
| J                                     | 10½            | 7½                 | 7½                |
| K                                     | 4              | 6½                 | 6½                |
| L                                     | ⅝              | ⅝                  | ⅝                 |
| M                                     | 2⅞             | 0                  | 0                 |
| N                                     | 3⅝             | 3⅞                 | 3⅞                |
| P                                     | ⅜              | ⅞                  | ⅞                 |
| S                                     | 11⅞            | 13⅞                | 13⅞               |
| T (based on 10 ft. lift)              | 14⅞            | 14⅞                | 14⅞               |
| U (based on 10 ft. lift)              | 6' - 3"        | 6' - 3"            | 6' - 3"           |
| V                                     | 2¼             | 2¼                 | 2¼                |
| W                                     | 1⅝             | 1⅝                 | 1⅝                |
| X                                     | 2⅞             | 2⅞                 | 2⅞                |
| Minimum Radius Curve (ft.)            | 4              | 6                  | 6                 |
| Standard Beam Flange Adj. Range (in.) | 4.00-6.25      | 4.00-6.25          | 4.00-6.25         |
| Trolley Speed (ft./min)               |                |                    |                   |
| Standard Single Speed                 | 50             | 50                 | 50                |

\*\*Dimensions listed are for minimum size "S" beam.



# ShopStar electric chain hoist



The ShopStar electric chain hoist features rugged construction and high H4 duty cycle. It keeps lifting and lifting, up to 1,000 pounds and 300 motor starts per hour. Additional features and benefits include:

- H4 duty cycle (300 motor starts/hour)
- Easy installation and maintenance
- Standard protector overload device
- 10 pocket oblique lay liftwheel provides longer chain wear
- Epoxy powder coat finish
- 6½ ft. power cord with molded 3 prong plug on 115 volt units
- NEMA 4 industrial rated control station
- Optional impact-resistant chain container available
- Gear train lifetime lubricated with non-oxidizing grease
- CM Hoist Alloy Load Chain (zinc plated optional)
- Thermally protected hoist duty motor
- Dual braking system — D.C. plus regenerative
- Rugged cast aluminum alloy hoist frame
- 5:1 design factor
- Small, compact design for commercial & industrial applications
- Rigid hook suspension prevents tangling of power cord
- Hardened forged steel latch style lower hook rotates 360°
- Totally enclosed non-ventilated hoist frame protects motor from environmental contamination
- True vertical lift
- Precision bearings used throughout hoist
- Lifetime warranty
- Made in U.S.A.

## \* WARNING

Overloading and improper use can result in injury.

### To avoid injury:

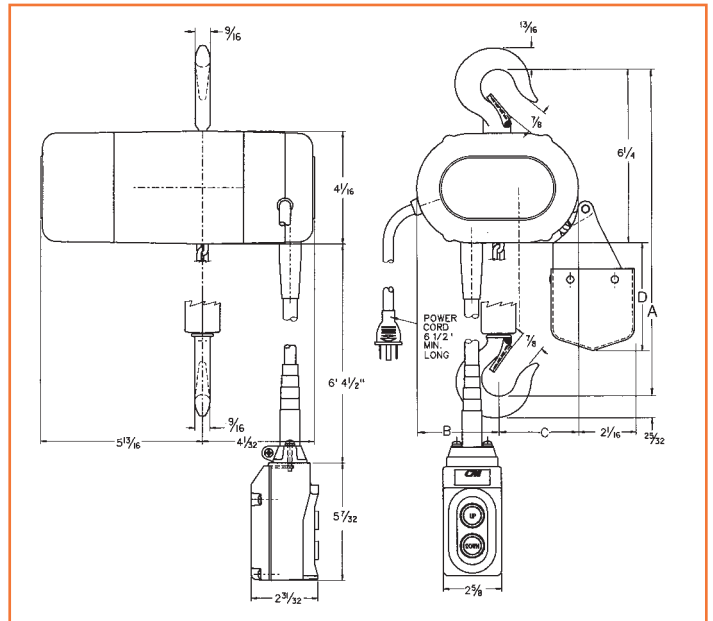
- Do not exceed working load limit, load rating capacity
- Do not use to lift people or loads over people.
- use only alloy chain for overhead lifting.
- Read and follow all instructions.



MEX (55) 53 63 23 31 MTY (81) 83 54 10 18  
QRO (442) 1 95 72 60 [ventas@industrialmagza.com](mailto:ventas@industrialmagza.com)



# ShopStar-Specifications



## Clearance dimensions (in.)

| Reeving | A                                | B                              | C                               | D                             |
|---------|----------------------------------|--------------------------------|---------------------------------|-------------------------------|
| Single  | 11 <sup>1</sup> / <sub>16</sub>  | 3                              | 2 <sup>15</sup> / <sub>16</sub> | 3 <sup>7</sup> / <sub>8</sub> |
| Double  | 11 <sup>15</sup> / <sub>16</sub> | 3 <sup>9</sup> / <sub>16</sub> | 2 <sup>3</sup> / <sub>8</sub>   | 5 <sup>3</sup> / <sub>4</sub> |

| Product code | Single reeved | Double reeved | Approx. Shipping wt., lbs. |
|--------------|---------------|---------------|----------------------------|
| 2063         | 10            | 5             | 1                          |
| 2064         | 20            | 10            | 1.4                        |
| 2065         | 40            | 20            | 1.4                        |
| 2066         | 80            | 40            | 1.4                        |
| 2067         | 120           | 60            | 2.2                        |

## Specifications

| Product Code |          |          |          | Max. capacity lbs. | Lifting speed F.P.M. | Reeving | Lift ft. | Approx. shipping wt., (lbs.) | Motor H.P. |
|--------------|----------|----------|----------|--------------------|----------------------|---------|----------|------------------------------|------------|
| 115-1-60     | 115-1-60 | 230-3-60 | 460-3-60 |                    |                      |         |          |                              |            |
| 2070         | —        | —        | —        | 250                | 16                   | single  | 10       | 26                           | 1/6        |
| —            | 2069     | 2071     | 2072     | 250                | 16                   | single  | 10       | 28                           | 1/6        |
| —            | —        | 2076     | 2077     | 250                | 24                   | single  | 10       | 28                           | 1/6        |
| —            | —        | 2081     | 2082     | 250                | 40                   | single  | 10       | 28                           | 1/6        |
| 2000         | —        | —        | —        | 300                | 16                   | single  | 10       | 26                           | 1/6        |
| —            | 2047     | 2026     | 2029     | 300                | 16                   | single  | 10       | 28                           | 1/6        |
| —            | —        | 2086     | 2087     | 300                | 24                   | single  | 10       | 28                           | 1/6        |
| —            | —        | 2074     | 2075     | 300                | 40                   | single  | 10       | 28                           | 1/6        |
| 2095         | —        | —        | —        | 500                | 8                    | double  | 10       | 32                           | 1/6        |
| —            | 2094     | 2096     | 2097     | 500                | 8                    | double  | 10       | 34                           | 1/6        |
| 2090         | —        | —        | —        | 500                | 12                   | single  | 10       | 26                           | 1/6        |
| —            | 2089     | 2091     | 2092     | 500                | 12                   | single  | 10       | 28                           | 1/6        |
| —            | —        | 2080     | 2084     | 500                | 16                   | single  | 10       | 28                           | 1/6        |
| —            | —        | 2101     | 2102     | 500                | 20                   | double  | 10       | 34                           | 1/6        |
| —            | —        | 2099     | 2100     | 500                | 24                   | single  | 10       | 28                           | 1/6        |
| 2001         | —        | —        | —        | 600                | 8                    | double  | 10       | 32                           | 1/6        |
| —            | 2048     | 2035     | 2038     | 600                | 8                    | double  | 10       | 34                           | 1/6        |
| —            | —        | 2106     | 2107     | 600                | 12                   | double  | 10       | 34                           | 1/6        |
| —            | —        | 2105     | 2114     | 600                | 20                   | double  | 10       | 34                           | 1/6        |
| 2110         | —        | —        | —        | 1000               | 6                    | double  | 10       | 32                           | 1/6        |
| —            | 2109     | 2111     | 2112     | 1000               | 6                    | double  | 10       | 34                           | 1/6        |
| —            | —        | 2116     | 2117     | 1000               | 8                    | double  | 10       | 32                           | 1/6        |
| —            | —        | 2119     | 2121     | 1000               | 12                   | double  | 10       | 32                           | 1/6        |

\*Codes in this column denote units with contactor in push button control station.



MEX (55) 53 63 23 31 MTY (81) 83 54 10 18  
 QRO (442) 1 95 72 60 ventas@industrialmagza.com

# Valustar electric chain hoist



**Designed specifically for general commercial applications. This compact, lightweight hoist features:**

- Fully machined and heat treated liftwheel with hardened chain guides for smooth chain operation and reduced chain wear
- Standard lift 10, 15 & 20 ft.
- 5 ft. power cord length
- Heavy-duty caliper type AC brake
- Rugged NEMA 4 control station, 115 volt control circuit
- Easy to install and maintain
- Hoistaloy load chain for smooth operation and maximum chain life
- Efficient regenerative braking system to avoid heat generation in power train
- Enclosed hoist duty motor
- Gear train lifetime lubricated with non-oxidizing grease
- Latch type hooks
- Hook suspension standard
- Fully machined and heat treated gear train
- Standard overload Protector device
- H3 duty-1 phase; H-4 duty-3 phase
- One-year warranty
- Metric rated
- Made in U.S.A.

## Specifications

|                              | Product code |              | Model | Max. capacity tons | Hoist lifting speed FPM | Approximate shipping wt. (lbs.) |              |
|------------------------------|--------------|--------------|-------|--------------------|-------------------------|---------------------------------|--------------|
|                              | 115-1-60     | 230/460 3-60 |       |                    |                         | 115-1-60                        | 230/460 3-60 |
| <b>Single speed 10' lift</b> | 2401         | 2402         | WB    | 1/4                | 16                      | 54                              | 58           |
|                              | 2403         | 2404         | WF    | 1/2                | 16                      | 60                              | 58           |
|                              | 2405         | 2406         | WH    | 1                  | 8                       | 70                              | 68           |
|                              | 2407         | 2408         | WL    | 1                  | 16                      | 105                             | 106          |
|                              | 2409         | 2410         | WR    | 2                  | 8                       | 130                             | 122          |
| <b>Single speed 15' lift</b> | 2401B        | 2402B        | WB    | 1/4                | 16                      | 64                              | 62           |
|                              | 2403B        | 2404B        | WF    | 1/2                | 16                      | 64                              | 62           |
|                              | 2405B        | 2406B        | WH    | 1                  | 8                       | 77                              | 75           |
|                              | 2407B        | 2408B        | WL    | 1                  | 16                      | 111                             | 112          |
|                              | 2409B        | 2410B        | WR    | 2                  | 8                       | 136                             | 128          |
| <b>Single speed 20' lift</b> | 2401C        | 2402C        | WB    | 1/4                | 16                      | 68                              | 66           |
|                              | 2403C        | 2404C        | WF    | 1/2                | 16                      | 68                              | 66           |
|                              | 2405C        | 2406C        | WH    | 1                  | 8                       | 84                              | 82           |
|                              | 2407C        | 2408C        | WL    | 1                  | 16                      | 116                             | 117          |
|                              | 2409C        | 2410C        | WR    | 2                  | 8                       | 150                             | 142          |

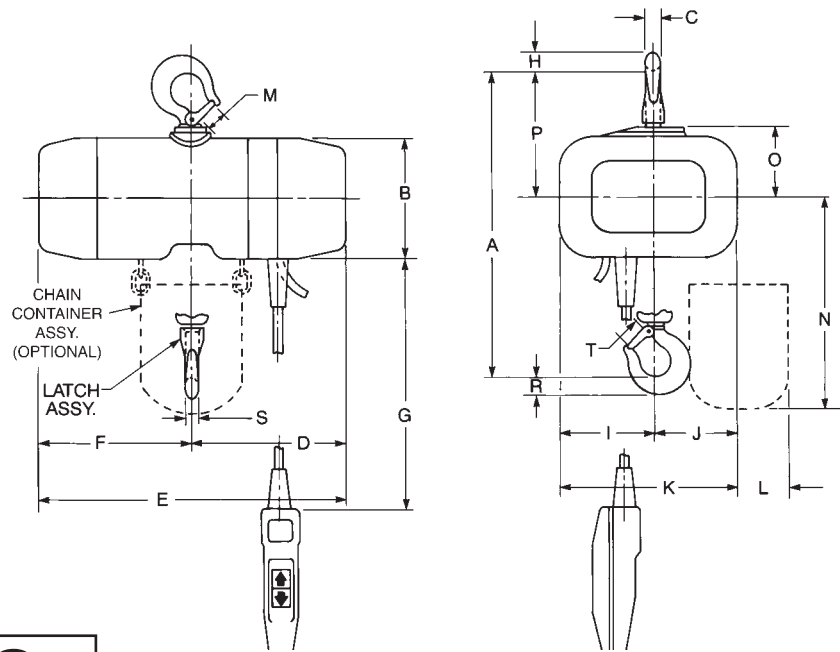
Longer lifts and modifications available. Apply for details.



**INDUSTRIAL MAGZA**  
DIST. AUTORIZADO

MEX (55) 53 63 23 31 MTY (81) 83 54 10 18  
QRO (442) 1 95 72 60 ventas@industrialmagza.com

# Valustar-Specifications



**\* ⚠ WARNING**

**Overloading and improper use can result in injury.**

**To avoid injury:**

- Do not exceed working load limit, load rating capacity
- Do not use to lift people or loads over people.
- use only alloy chain for overhead lifting.
- Read and follow all instructions.

## Clearance dimensions (in.)

Rated capacity\* (tons)

| Dimension | 1/4      | 1/2      | 1/2      | 1        | 1/2      | 1        | 2        |
|-----------|----------|----------|----------|----------|----------|----------|----------|
|           | Model WB | Model WF | Model WE | Model WH | Model WJ | Model WL | Model WR |
| A         | 14 1/4   | 14 1/4   | 17 7/8   | 17 7/8   | 15 9/16  | 15 9/16  | 22 1/2   |
| B         | 6 1/8    | 6 1/8    | 6 1/8    | 6 1/8    | 7 5/8    | 7 5/8    | 7 5/8    |
| C         | 1 1/16   | 1 1/16   | 7/8      | 7/8      | 7/8      | 7/8      | 1 1/8    |
| D         | 8        | 8        | 8        | 8        | 9        | 9        | 9        |
| E         | 16 1/16  | 16 1/16  | 16 1/16  | 16 1/16  | 20 3/16  | 20 3/16  | 20 3/16  |
| F         | 8 1/16   | 8 1/16   | 8 1/16   | 8 1/16   | 11 3/16  | 11 3/16  | 11 3/16  |
| G**       | 6'-3"    | 6'-3"    | 6'-3"    | 6'-3"    | 6'-3"    | 6'-3"    | 6'-3"    |
| H         | 1        | 1        | 1 3/16   | 1 3/16   | 1 3/16   | 1 3/16   | 1 1/2    |
| I         | 4 13/16  | 4 13/16  | 3 7/8    | 3 7/8    | 7 1/4    | 7 1/4    | 6 3/16   |
| J         | 3 15/16  | 3 15/16  | 4 7/8    | 4 7/8    | 5 7/16   | 5 7/16   | 6 1/2    |
| K         | 8 3/4    | 8 3/4    | 8 3/4    | 8 3/4    | 12 11/16 | 12 11/16 | 12 11/16 |
| L         | 1 11/16  | 1 11/16  | 1 11/16  | 1 11/16  | 7/16     | 7/16     | 7/16     |
| M         | 1        | 1        | 1 1/8    | 1 1/8    | 1 1/8    | 1 1/8    | 1 5/16   |
| N**       | 12 15/16 | 12 15/16 | 15 15/16 | 15 15/16 | 16 11/16 | 16 11/16 | 22 11/16 |
| O         | 3 9/16   | 3 9/16   | 3 9/16   | 3 9/16   | 4        | 4        | 4        |
| P         | 6 3/16   | 6 3/16   | 6 1/2    | 6 1/2    | 6 7/8    | 6 7/8    | 7 3/8    |
| R         | 1        | 1        | 1 3/16   | 1 3/16   | 1 3/16   | 1 3/16   | 1 1/2    |
| S         | 1 1/16   | 1 1/16   | 7/8      | 7/8      | 7/8      | 7/8      | 1 1/8    |
| T         | 1        | 1        | 1 1/8    | 1 1/8    | 1 1/8    | 1 1/8    | 1 5/16   |

\*\* Based on 10 foot lift units

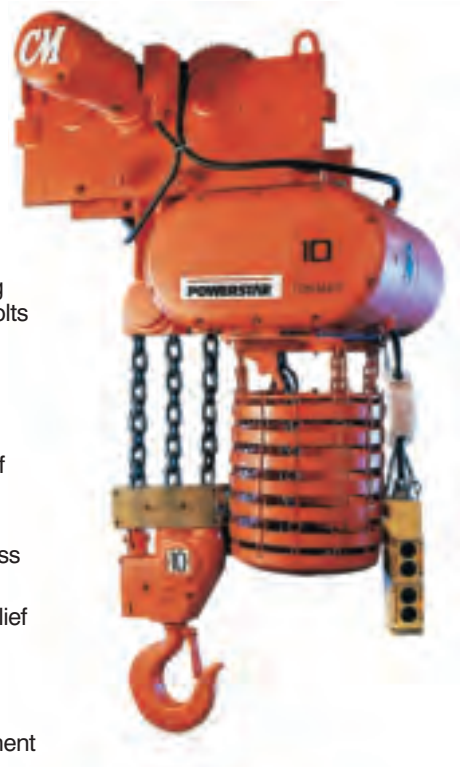


MEX (55) 53 63 23 31 MTY (81) 83 54 10 18  
 QRO (442) 1 95 72 60 ventas@industrialmagza.com

# Powerstar electric chain hoist

Designed specifically as an alternative to wire rope hoists for high speed lifting of loads from 2 to 20 tons in a space saving chain hoist.

- H-4 or better rated duty cycle
- Designed for heavy-duty industrial applications from 2 to 20 ton capacities
- Liftwheel has machined chain pockets and is heat treated alloy steel for maximum strength and wear resistance
- Efficient regenerative braking system avoids heat generation in power train
- Motors up to 7 1/2 h.p. provide a wide range of lifting speeds
- Single or two speed controls. Two speed models operate on 3:1 speed ratio
- Standard adjustable upper and lower screw limit switches
- Standard overload Protector device
- Hoist alloy load chain can be easily inspected for wear and abuse
- True vertical lift
- Factory tested to 125% of rated capacity prior to shipment
- Metric rated except for 10 & 20 ton capacities
- Rugged aluminum alloy hoist frame
- Chain guide surrounds liftwheel
- Machined and hardened steel Helical gears used throughout hoist for optimum performance and mechanical efficiency.
- Extensive use of life-lubricated bearings plus sealed oil bath power train reservoir for minimum maintenance.
- Dual braking system
- Heavy duty, industrial single speed controls include magnetic reversing contactor which operates on 115 volts provided by a control transformer.
- Totally enclosed, ball bearing, 30 minute rated, thermally protected, hoist duty motor is standard.
- Push button control is weatherproof (NEMA 4 rated).
- Drop of push button control is 4 ft. above hook at lowest position, unless otherwise specified.
- External push button chain strain relief is standard.
- Power cord length is 2 1/2 ft. unless otherwise specified.
- Trolley design permits easy adjustment for installation on a broad range of beam flange widths.
- Trolley wheels have double row, tapered roller bearings plus machined and hardened universal treads to permit operation on American Standard or flat flanged sections interchangeably.
- Spur gearing used in all motorized trolleys for improved efficiency and durability.
- Drop of hand chain on geared trolleys is 2 ft. above hook at lowest position, unless otherwise specified.
- Designed to be maintained "on the beam."
- Up to 600 lineal feet of chain
- Weatherproof (NEMA3R)
- Lifetime warranty
- Made in U.S.A.



## \* **WARNING**

Overloading and improper use can result in injury.

### To avoid injury:

- Do not exceed working load limit, load rating capacity
- Do not use to lift people or loads over people.
- use only alloy chain for overhead lifting.
- Read and follow all instructions.

# Powerstar-Specifications

## Specifications – standard unit

| Rated capacity* (tons)        | Single speed           |              | Two speed              |              |              | Reeving (single) | Std. lift** (ft.) | HP                               | Headroom w/lug suspension (in.)  | Headroom w/trolley suspension (in.) | Hoist only approx. shipping weight |                        |
|-------------------------------|------------------------|--------------|------------------------|--------------|--------------|------------------|-------------------|----------------------------------|----------------------------------|-------------------------------------|------------------------------------|------------------------|
|                               | Lifting speed (F.P.M.) | Product code | Lifting speed (F.P.M.) | Product code | Product code |                  |                   |                                  |                                  |                                     | Single speed hoist (lbs.)          | Two speed hoist (lbs.) |
| 2                             | 20                     | 7300 7301    | 20/7                   | 7302 7303    | 1            | 20               | 5                 | 28 <sup>15</sup> / <sub>16</sub> | 30 <sup>15</sup> / <sub>16</sub> | 392                                 | 402                                |                        |
|                               | 24                     | 7001 7002    | 24/8                   | 7003 7004    | 1            | 20               | 5                 | 28 <sup>15</sup> / <sub>16</sub> | 30 <sup>15</sup> / <sub>16</sub> | 392                                 | 402                                |                        |
|                               | 32                     | 7304 7305    | 32/11                  | 7306 7037    | 1            | 20               | 5                 | 28 <sup>15</sup> / <sub>16</sub> | 30 <sup>15</sup> / <sub>16</sub> | 404                                 | 414                                |                        |
|                               | 40                     | 7005 7006    | 40/13                  | 7007 7008    | 1            | 20               | 5                 | 28 <sup>15</sup> / <sub>16</sub> | 30 <sup>15</sup> / <sub>16</sub> | 404                                 | 414                                |                        |
|                               | 48                     | 7308 7309    | 48/16                  | 7310 7311    | 1            | 20               | 7.5               | 28 <sup>15</sup> / <sub>16</sub> | 30 <sup>15</sup> / <sub>16</sub> | 408                                 | 418                                |                        |
| 3                             | 20                     | 7312 7313    | 20/7                   | 7314 7315    | 1            | 20               | 5                 | 28 <sup>15</sup> / <sub>16</sub> | 31 <sup>1</sup> / <sub>2</sub>   | 404                                 | 414                                |                        |
|                               | 24                     | 7009 7010    | 24/8                   | 7011 7012    | 1            | 20               | 5                 | 28 <sup>15</sup> / <sub>16</sub> | 31 <sup>1</sup> / <sub>2</sub>   | 404                                 | 414                                |                        |
|                               | 32                     | 7316 7317    | 32/11                  | 7318 7319    | 1            | 20               | 7.5               | 28 <sup>15</sup> / <sub>16</sub> | 31 <sup>1</sup> / <sub>2</sub>   | 408                                 | 418                                |                        |
|                               | 40                     | 7013 7014    | 40/13                  | 7015 7016    | 1            | 20               | 7.5               | 28 <sup>15</sup> / <sub>16</sub> | 31 <sup>1</sup> / <sub>2</sub>   | 408                                 | 418                                |                        |
| 4                             | 10                     | 7320 7321    | 10/3                   | 7322 7323    | 2            | 20               | 5                 | 34                               | 36 <sup>9</sup> / <sub>16</sub>  | 478                                 | 488                                |                        |
|                               | 12                     | 7324 7325    | 12/4                   | 7326 7327    | 2            | 20               | 5                 | 34                               | 36 <sup>9</sup> / <sub>16</sub>  | 490                                 | 500                                |                        |
|                               | 16                     | 7328 7329    | 16/5                   | 7330 7331    | 2            | 20               | 5                 | 34                               | 36 <sup>9</sup> / <sub>16</sub>  | 490                                 | 500                                |                        |
|                               | 20                     | 7332 7333    | 20/7                   | 7334 7335    | 2            | 20               | 7.5               | 34                               | 36 <sup>9</sup> / <sub>16</sub>  | 490                                 | 500                                |                        |
|                               | 24                     | 7336 7337    | 24/8                   | 7338 7339    | 2            | 20               | 7.5               | 34                               | 36 <sup>9</sup> / <sub>16</sub>  | 494                                 | 504                                |                        |
| 5                             | 10                     | 7340 7341    | 10/3                   | 7342 7343    | 2            | 20               | 5                 | 34                               | 36 <sup>9</sup> / <sub>16</sub>  | 478                                 | 488                                |                        |
|                               | 12                     | 7344 7345    | 12/4                   | 7346 7347    | 2            | 20               | 5                 | 34                               | 36 <sup>9</sup> / <sub>16</sub>  | 478                                 | 488                                |                        |
|                               | 16                     | 7029 7030    | 16/5                   | 7031 7032    | 2            | 20               | 5                 | 34                               | 36 <sup>9</sup> / <sub>16</sub>  | 490                                 | 500                                |                        |
|                               | 20                     | 7348 7349    | 20/7                   | 7350 7351    | 2            | 20               | 7.5               | 34                               | 36 <sup>9</sup> / <sub>16</sub>  | 494                                 | 500                                |                        |
|                               | 24                     | 7017 7018    | 24/8                   | 7019 7020    | 2            | 20               | 7.5               | 34                               | 36 <sup>9</sup> / <sub>16</sub>  | 494                                 | 504                                |                        |
| 6                             | 10                     | 7352 7353    | 10/3                   | 7354 7355    | 2            | 20               | 5                 | 34                               | 36 <sup>9</sup> / <sub>16</sub>  | 548                                 | 558                                |                        |
|                               | 12                     | 7052 7053    | 12/4                   | 7054 7055    | 2            | 20               | 5                 | 34                               | 36 <sup>9</sup> / <sub>16</sub>  | 548                                 | 558                                |                        |
|                               | 16                     | 7356 7357    | 16/5                   | 7358 7359    | 2            | 20               | 7.5               | 34                               | 36 <sup>9</sup> / <sub>16</sub>  | 552                                 | 562                                |                        |
|                               | 20                     | 7056 7057    | 20/7                   | 7058 7059    | 2            | 20               | 7.5               | 34                               | 36 <sup>9</sup> / <sub>16</sub>  | 552                                 | 562                                |                        |
| 7 <sup>1</sup> / <sub>2</sub> | 7                      | 7360 7361    | 7/2                    | 7362 7363    | 3            | 20               | 5                 | Apply                            | 39 <sup>3</sup> / <sub>8</sub>   | 594                                 | 604                                |                        |
|                               | 8                      | 7364 7365    | 8/3                    | 7366 7367    | 3            | 20               | 5                 | Apply                            | 39 <sup>3</sup> / <sub>8</sub>   | 606                                 | 616                                |                        |
|                               | 11                     | 7368 7369    | 11/4                   | 7370 7371    | 3            | 20               | 5                 | Apply                            | 39 <sup>3</sup> / <sub>8</sub>   | 606                                 | 616                                |                        |
|                               | 14                     | 7372 7373    | 14/5                   | 7374 7375    | 3            | 20               | 7.5               | Apply                            | 39 <sup>3</sup> / <sub>8</sub>   | 622                                 | 632                                |                        |
|                               | 16                     | 7376 7377    | 16/5                   | 7378 7379    | 3            | 20               | 7.5               | Apply                            | 39 <sup>3</sup> / <sub>8</sub>   | 622                                 | 632                                |                        |
| 9                             | 7                      | 7380 7381    | 7/2                    | 7382 7383    | 3            | 20               | 5                 | Apply                            | 41 <sup>3</sup> / <sub>16</sub>  | 610                                 | 620                                |                        |
|                               | 8                      | 7384 7385    | 8/3                    | 7386 7387    | 3            | 20               | 5                 | Apply                            | 41 <sup>3</sup> / <sub>16</sub>  | 610                                 | 620                                |                        |
|                               | 11                     | 7388 7389    | 11/4                   | 7390 7391    | 3            | 20               | 7.5               | Apply                            | 41 <sup>3</sup> / <sub>16</sub>  | 626                                 | 636                                |                        |
|                               | 13                     | 7392 7393    | 13/4                   | 7394 7395    | 3            | 20               | 7.5               | Apply                            | 41 <sup>3</sup> / <sub>16</sub>  | 626                                 | 636                                |                        |
| 10                            | 7                      | 7396 7397    | 7/2                    | 7398 7399    | 3            | 20               | 5                 | Apply                            | 41 <sup>3</sup> / <sub>16</sub>  | 610                                 | 620                                |                        |
|                               | 8                      | 7400 7401    | 8/3                    | 7402 7403    | 3            | 20               | 5                 | Apply                            | 41 <sup>3</sup> / <sub>16</sub>  | 610                                 | 620                                |                        |
|                               | 11                     | 7404 7405    | 11/4                   | 7406 7407    | 3            | 20               | 7.5               | Apply                            | 41 <sup>3</sup> / <sub>16</sub>  | 626                                 | 636                                |                        |
|                               | 13                     | 7408 7409    | 13/4                   | 7410 7411    | 3            | 20               | 7.5               | Apply                            | 41 <sup>3</sup> / <sub>16</sub>  | 626                                 | 636                                |                        |
| 12                            | 5                      | 7412 7413    | 5/2                    | 7414 7415    | 4            | 20               | 5                 | Apply                            | 41 <sup>3</sup> / <sub>16</sub>  | 710                                 | 720                                |                        |
|                               | 6                      | 7416 7417    | 6/2                    | 7418 7419    | 4            | 20               | 5                 | Apply                            | 41 <sup>3</sup> / <sub>16</sub>  | 710                                 | 720                                |                        |
|                               | 8                      | 7420 7421    | 8/3                    | 7422 7423    | 4            | 20               | 7.5               | Apply                            | 41 <sup>3</sup> / <sub>16</sub>  | 726                                 | 736                                |                        |
|                               | 10                     | 7424 7425    | 10/3                   | 7426 7427    | 4            | 20               | 7.5               | Apply                            | 41 <sup>3</sup> / <sub>16</sub>  | 726                                 | 736                                |                        |
| 15                            | 4                      | 7428 7429    | 4/1.3                  | 7430 7431    | 5            | 20               | 5                 | Apply                            | 47 <sup>5</sup> / <sub>16</sub>  | 805                                 | 815                                |                        |
|                               | 5                      | 7432 7433    | 5/1.5                  | 7434 7435    | 5            | 20               | 5                 | Apply                            | 47 <sup>5</sup> / <sub>16</sub>  | 805                                 | 815                                |                        |
|                               | 6                      | 7436 7437    | 6/2                    | 7438 7439    | 5            | 20               | 7.5               | Apply                            | 47 <sup>5</sup> / <sub>16</sub>  | 817                                 | 827                                |                        |
|                               | 8                      | 7440 7441    | 8/2.5                  | 7442 7443    | 5            | 20               | 7.5               | Apply                            | 47 <sup>5</sup> / <sub>16</sub>  | 817                                 | 827                                |                        |

\*\* 20 ft. lift is standard — for other lifts, apply.



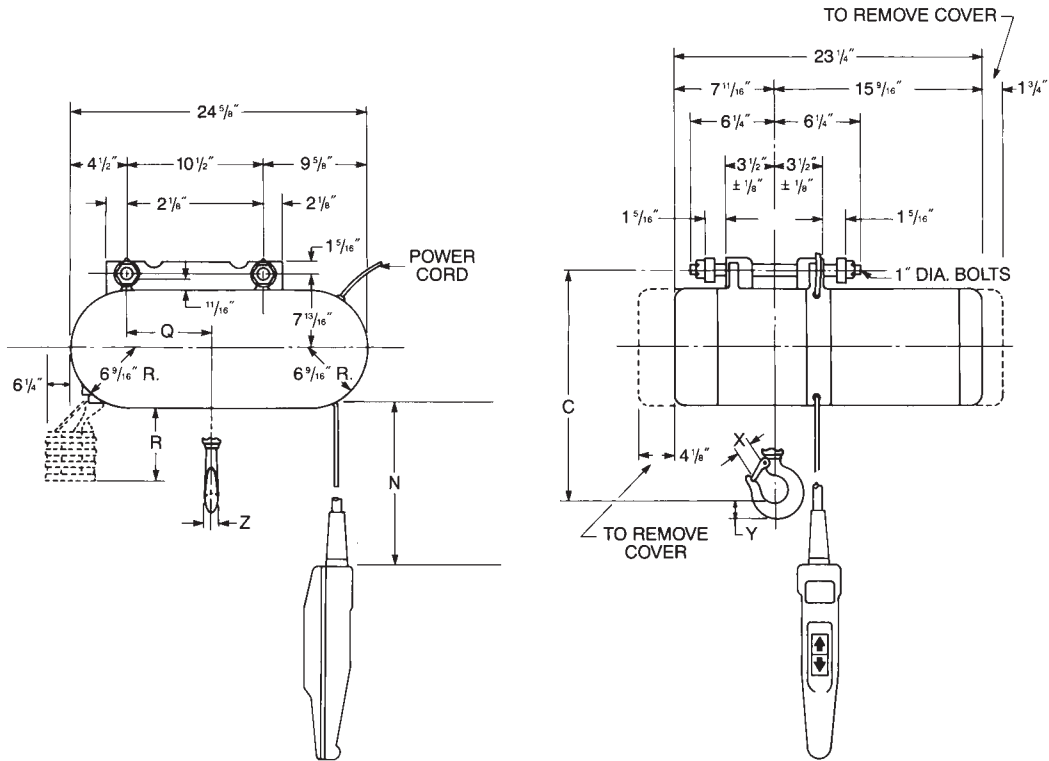
**DIST. AUTORIZADO**

MEX (55) 53 63 23 31  
QRO (442) 1 95 72 60

MTY (81) 83 54 10 18  
ventas@industrialmagza.com

# Powerstar with lug suspension

2, 3, 4, 5 & 6 ton capacities (for 7½ - 15 ton capacities, consult factory)



## Clearance dimensions (in.)

| Dimension | Rated capacity* (tons)           |                                  |                                 |                                 |                                 |
|-----------|----------------------------------|----------------------------------|---------------------------------|---------------------------------|---------------------------------|
|           | 2                                | 3                                | 4                               | 5                               | 6                               |
| C         | 28 <sup>15</sup> / <sub>16</sub> | 28 <sup>15</sup> / <sub>16</sub> | 34                              | 34                              | 34                              |
| N**       | 16'-7"                           | 16'-7"                           | 16'-7"                          | 16'-7"                          | 16'-7"                          |
| Q         | 3 <sup>3</sup> / <sub>4</sub>    | 3 <sup>3</sup> / <sub>4</sub>    | 5 <sup>7</sup> / <sub>8</sub>   | 5 <sup>7</sup> / <sub>8</sub>   | 5 <sup>7</sup> / <sub>8</sub>   |
| R**       | 18 <sup>1</sup> / <sub>16</sub>  | 18 <sup>1</sup> / <sub>16</sub>  | 26 <sup>3</sup> / <sub>16</sub> | 26 <sup>3</sup> / <sub>16</sub> | 26 <sup>3</sup> / <sub>16</sub> |
| X         | 1 <sup>5</sup> / <sub>8</sub>    | 1 <sup>5</sup> / <sub>8</sub>    | 2 <sup>5</sup> / <sub>16</sub>  | 2 <sup>5</sup> / <sub>16</sub>  | 2 <sup>5</sup> / <sub>16</sub>  |
| Y         | 1 <sup>1</sup> / <sub>16</sub>   | 1 <sup>1</sup> / <sub>16</sub>   | 2 <sup>9</sup> / <sub>16</sub>  | 2 <sup>9</sup> / <sub>16</sub>  | 2 <sup>9</sup> / <sub>16</sub>  |
| Z         | 1 <sup>1</sup> / <sub>4</sub>    | 1 <sup>1</sup> / <sub>4</sub>    | 1 <sup>13</sup> / <sub>16</sub> | 1 <sup>13</sup> / <sub>16</sub> | 1 <sup>13</sup> / <sub>16</sub> |

\*\*Applies to 20 foot lift units

All dimensions are in inches and are based on minimum American standard section.

**\* ⚠ WARNING**

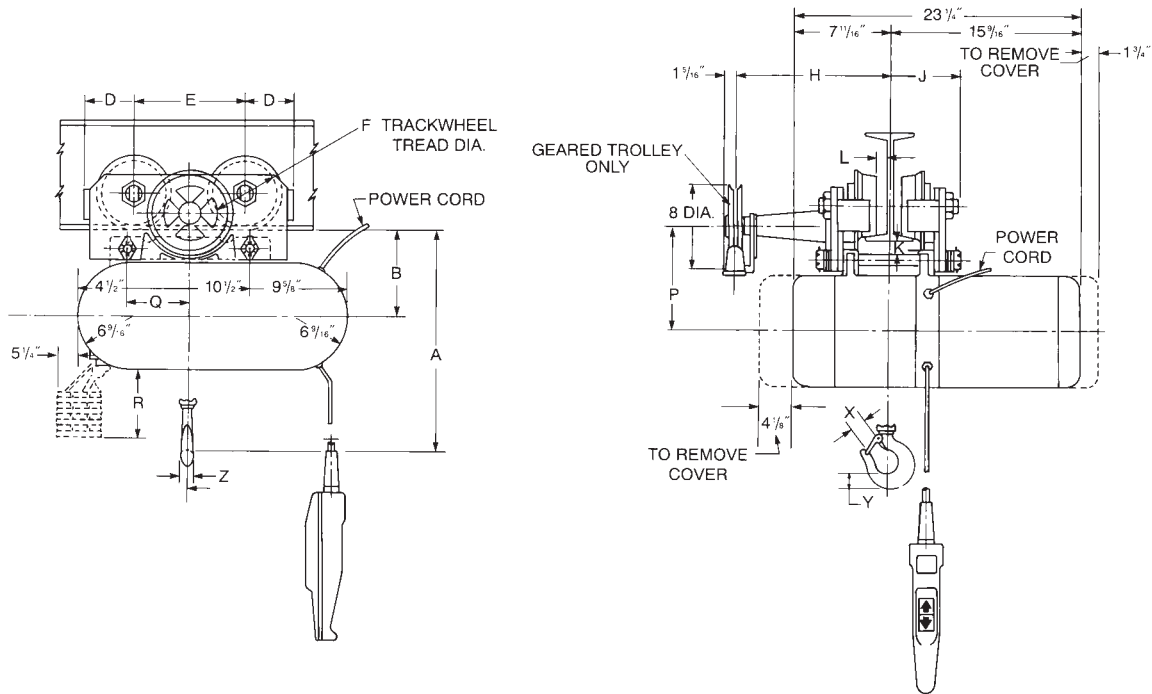
**Overloading and improper use can result in injury.**

**To avoid injury:**

- Do not exceed working load limit, load rating capacity
- Do not use to lift people or loads over people.
- use only alloy chain for overhead lifting.
- Read and follow all instructions.

# Powerstar with plain or geared trolley

2, 3, 4, 5 & 6 ton capacities



## Clearance dimensions (in.)

| Dimension | Rated capacity* (tons)           |                                  |                                  |                                  |                                  |
|-----------|----------------------------------|----------------------------------|----------------------------------|----------------------------------|----------------------------------|
|           | 2                                | 3                                | 4                                | 5                                | 6                                |
| A         | 30 <sup>15</sup> / <sub>16</sub> | 31 <sup>1</sup> / <sub>2</sub>   | 36 <sup>9</sup> / <sub>16</sub>  | 36 <sup>9</sup> / <sub>16</sub>  | 36 <sup>9</sup> / <sub>16</sub>  |
| B         | 9 <sup>13</sup> / <sub>16</sub>  | 10 <sup>3</sup> / <sub>8</sub>   | 10 <sup>3</sup> / <sub>8</sub>   | 10 <sup>3</sup> / <sub>8</sub>   | 10 <sup>3</sup> / <sub>8</sub>   |
| D         | 3 <sup>1</sup> / <sub>2</sub>    | 4 <sup>9</sup> / <sub>16</sub>   | 4 <sup>9</sup> / <sub>16</sub>   | 4 <sup>9</sup> / <sub>16</sub>   | 4 <sup>9</sup> / <sub>16</sub>   |
| E         | 9 <sup>1</sup> / <sub>2</sub>    | 10 <sup>1</sup> / <sub>2</sub>   | 10 <sup>1</sup> / <sub>2</sub>   | 10 <sup>1</sup> / <sub>2</sub>   | 10 <sup>1</sup> / <sub>2</sub>   |
| F         | 4 <sup>11</sup> / <sub>16</sub>  | 5 <sup>13</sup> / <sub>16</sub>  | 5 <sup>13</sup> / <sub>16</sub>  | 5 <sup>13</sup> / <sub>16</sub>  | 5 <sup>13</sup> / <sub>16</sub>  |
| H         | 12 <sup>13</sup> / <sub>16</sub> | 14 <sup>1</sup> / <sub>8</sub>   | 14 <sup>1</sup> / <sub>8</sub>   | 14 <sup>1</sup> / <sub>8</sub>   | 14 <sup>1</sup> / <sub>8</sub>   |
| J         | 5                                | 6 <sup>1</sup> / <sub>4</sub>    | 6 <sup>1</sup> / <sub>4</sub>    | 6 <sup>1</sup> / <sub>4</sub>    | 6 <sup>1</sup> / <sub>4</sub>    |
| K         | 1 <sup>1</sup> / <sub>16</sub>   | 1 <sup>1</sup> / <sub>4</sub>    | 1 <sup>1</sup> / <sub>4</sub>    | 1 <sup>1</sup> / <sub>4</sub>    | 1 <sup>1</sup> / <sub>4</sub>    |
| L         | 1/2                              | 1 <sup>5</sup> / <sub>16</sub>   | 1 <sup>5</sup> / <sub>16</sub>   | 1 <sup>5</sup> / <sub>16</sub>   | 1 <sup>5</sup> / <sub>16</sub>   |
| P         | 11 <sup>9</sup> / <sub>16</sub>  | 11 <sup>15</sup> / <sub>16</sub> | 11 <sup>15</sup> / <sub>16</sub> | 11 <sup>15</sup> / <sub>16</sub> | 11 <sup>15</sup> / <sub>16</sub> |
| Q         | 3 <sup>3</sup> / <sub>4</sub>    | 3 <sup>3</sup> / <sub>4</sub>    | 5 <sup>7</sup> / <sub>8</sub>    | 5 <sup>7</sup> / <sub>8</sub>    | 5 <sup>7</sup> / <sub>8</sub>    |
| R**       | 18 <sup>1</sup> / <sub>16</sub>  | 18 <sup>1</sup> / <sub>16</sub>  | 26 <sup>3</sup> / <sub>16</sub>  | 26 <sup>3</sup> / <sub>16</sub>  | 26 <sup>3</sup> / <sub>16</sub>  |
| X         | 1 <sup>5</sup> / <sub>8</sub>    | 1 <sup>5</sup> / <sub>8</sub>    | 2 <sup>5</sup> / <sub>16</sub>   | 2 <sup>5</sup> / <sub>16</sub>   | 2 <sup>5</sup> / <sub>16</sub>   |
| Y         | 1 <sup>1</sup> / <sub>16</sub>   | 1 <sup>1</sup> / <sub>16</sub>   | 2 <sup>9</sup> / <sub>16</sub>   | 2 <sup>9</sup> / <sub>16</sub>   | 2 <sup>9</sup> / <sub>16</sub>   |
| Z         | 1 <sup>1</sup> / <sub>4</sub>    | 1 <sup>1</sup> / <sub>4</sub>    | 1 <sup>13</sup> / <sub>16</sub>  | 1 <sup>13</sup> / <sub>16</sub>  | 1 <sup>13</sup> / <sub>16</sub>  |

\*\*Std. 20 foot lift

All dimensions are in inches and are based on minimum American standard section.

## Specifications

| Rated capacity* (tons) | Plain trolley |                        | Geared trolley† |                        | Std. range of adjust. Am. std. S-beams |                     | Min. radius curve (in.) |
|------------------------|---------------|------------------------|-----------------|------------------------|--|---------------------|-------------------------|
|                        | Product code  | Shipping weight (lbs.) | Product code    | Shipping weight (lbs.) | Min. beam size                         | Max. beam size      |                         |
| 2                      | 5973          | 98                     | 5964            | 175                    | S6 x 12.5# x 3.33"                     | S15 x 42.9# x 5.5"  | 48                      |
| 3-6                    | 5971          | 176                    | 5972            | 295                    | S12 x 31.8# x 5"                       | S20 x 65.4# x 6.25" | 66                      |

† Standard hand truck for 20 ft. lift. For other lifts, apply to the factory.

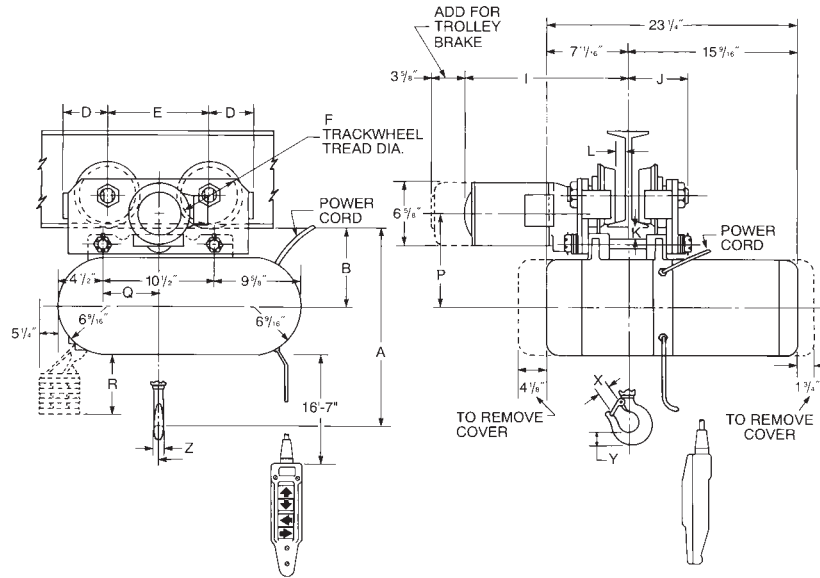


DIST. AUTORIZADO

MEX (55) 53 63 23 31 - MTY (81) 83 54 10 18  
QRO (442) 1 95 72 60 ventas@industrialmagza.com

# Powerstar with motor driven trolley

2, 3, 4, 5 & 6 ton capacities



## Clearance dimensions (in.)

| Dimension | Rated capacity* (tons)           |                                  |                                  |                                  |                                  |
|-----------|----------------------------------|----------------------------------|----------------------------------|----------------------------------|----------------------------------|
|           | 2                                | 3                                | 4                                | 5                                | 6                                |
| A         | 30 <sup>15</sup> / <sub>16</sub> | 31 <sup>1</sup> / <sub>2</sub>   | 36 <sup>9</sup> / <sub>16</sub>  | 36 <sup>9</sup> / <sub>16</sub>  | 36 <sup>9</sup> / <sub>16</sub>  |
| B         | 9 <sup>13</sup> / <sub>16</sub>  | 10 <sup>3</sup> / <sub>8</sub>   | 10 <sup>3</sup> / <sub>8</sub>   | 10 <sup>3</sup> / <sub>8</sub>   | 10 <sup>3</sup> / <sub>8</sub>   |
| D         | 3 <sup>1</sup> / <sub>2</sub>    | 4 <sup>9</sup> / <sub>16</sub>   | 4 <sup>9</sup> / <sub>16</sub>   | 4 <sup>9</sup> / <sub>16</sub>   | 4 <sup>9</sup> / <sub>16</sub>   |
| E         | 9 <sup>1</sup> / <sub>2</sub>    | 10 <sup>1</sup> / <sub>2</sub>   | 10 <sup>1</sup> / <sub>2</sub>   | 10 <sup>1</sup> / <sub>2</sub>   | 10 <sup>1</sup> / <sub>2</sub>   |
| F         | 4 <sup>11</sup> / <sub>16</sub>  | 5 <sup>13</sup> / <sub>16</sub>  | 5 <sup>13</sup> / <sub>16</sub>  | 5 <sup>13</sup> / <sub>16</sub>  | 5 <sup>13</sup> / <sub>16</sub>  |
| I         | 17 <sup>7</sup> / <sub>16</sub>  | 18 <sup>5</sup> / <sub>8</sub>   | 18 <sup>5</sup> / <sub>8</sub>   | 18 <sup>5</sup> / <sub>8</sub>   | 18 <sup>5</sup> / <sub>8</sub>   |
| J         | 5                                | 6 <sup>1</sup> / <sub>4</sub>    | 6 <sup>1</sup> / <sub>4</sub>    | 6 <sup>1</sup> / <sub>4</sub>    | 6 <sup>1</sup> / <sub>4</sub>    |
| K         | 1 <sup>1</sup> / <sub>16</sub>   | 1 <sup>1</sup> / <sub>4</sub>    | 1 <sup>1</sup> / <sub>4</sub>    | 1 <sup>1</sup> / <sub>4</sub>    | 1 <sup>1</sup> / <sub>4</sub>    |
| L         | 1/2                              | 1 <sup>5</sup> / <sub>16</sub>   | 1 <sup>5</sup> / <sub>16</sub>   | 1 <sup>5</sup> / <sub>16</sub>   | 1 <sup>5</sup> / <sub>16</sub>   |
| P         | 11 <sup>9</sup> / <sub>16</sub>  | 11 <sup>15</sup> / <sub>16</sub> | 11 <sup>15</sup> / <sub>16</sub> | 11 <sup>15</sup> / <sub>16</sub> | 11 <sup>15</sup> / <sub>16</sub> |
| Q         | 3 <sup>3</sup> / <sub>4</sub>    | 3 <sup>3</sup> / <sub>4</sub>    | 5 <sup>7</sup> / <sub>8</sub>    | 5 <sup>7</sup> / <sub>8</sub>    | 5 <sup>7</sup> / <sub>8</sub>    |
| R**       | 18 <sup>1</sup> / <sub>16</sub>  | 18 <sup>1</sup> / <sub>16</sub>  | 26 <sup>3</sup> / <sub>16</sub>  | 26 <sup>3</sup> / <sub>16</sub>  | 26 <sup>3</sup> / <sub>16</sub>  |
| X         | 1 <sup>5</sup> / <sub>8</sub>    | 1 <sup>5</sup> / <sub>8</sub>    | 2 <sup>5</sup> / <sub>16</sub>   | 2 <sup>5</sup> / <sub>16</sub>   | 2 <sup>5</sup> / <sub>16</sub>   |
| Y         | 1 <sup>1</sup> / <sub>16</sub>   | 1 <sup>1</sup> / <sub>16</sub>   | 2 <sup>9</sup> / <sub>16</sub>   | 2 <sup>9</sup> / <sub>16</sub>   | 2 <sup>9</sup> / <sub>16</sub>   |
| Z         | 1 <sup>1</sup> / <sub>4</sub>    | 1 <sup>1</sup> / <sub>4</sub>    | 1 <sup>13</sup> / <sub>16</sub>  | 1 <sup>13</sup> / <sub>16</sub>  | 1 <sup>13</sup> / <sub>16</sub>  |

\*\*Applies to 20 foot lift units

All dimensions are in inches and are based on minimum American standard section

## Specifications — trolley

| Rated capacity* (tons) | Speed (F.P.M.) | Product code |          | Approx. shipping weight (lbs.) | Standard range of adjustability Am. std. S-beam |                    | Min. radius curve (in.) |
|------------------------|----------------|--------------|----------|--------------------------------|---|--------------------|-------------------------|
|                        |                | 230-3-60     | 460-3-60 |                                | Min. beam size                                  | Max. beam size     |                         |
| 2                      | 65             | 7064         | 7065     | 168                            | S6 x 12.5# x 3.33"                              | S15 x 42.9# x 5.5" | 48                      |
| 2                      | 100            | 7066         | 7067     | 168                            | S6 x 12.5# x 3.33"                              | S15 x 42.9# x 5.5" | 48                      |
| 3                      | 50             | 7068         | 7069     | 250                            | S12 x 31.8# x 5"                                | S20 x 66# x 6.25"  | 66                      |
| 4                      | 50             | 7545         | 7585     | 255                            | S12 x 31.8# x 5"                                | S20 x 66# x 6.25"  | 66                      |
| 5                      | 50             | 7070         | 7071     | 255                            | S12 x 31.8# x 5"                                | S20 x 66# x 6.25"  | 66                      |
| 6                      | 50             | 7072         | 7073     | 255                            | S12 x 31.8# x 5"                                | S20 x 66# x 6.25"  | 66                      |

Apply for other than standard trolley speeds and for other than standard beam adjustment

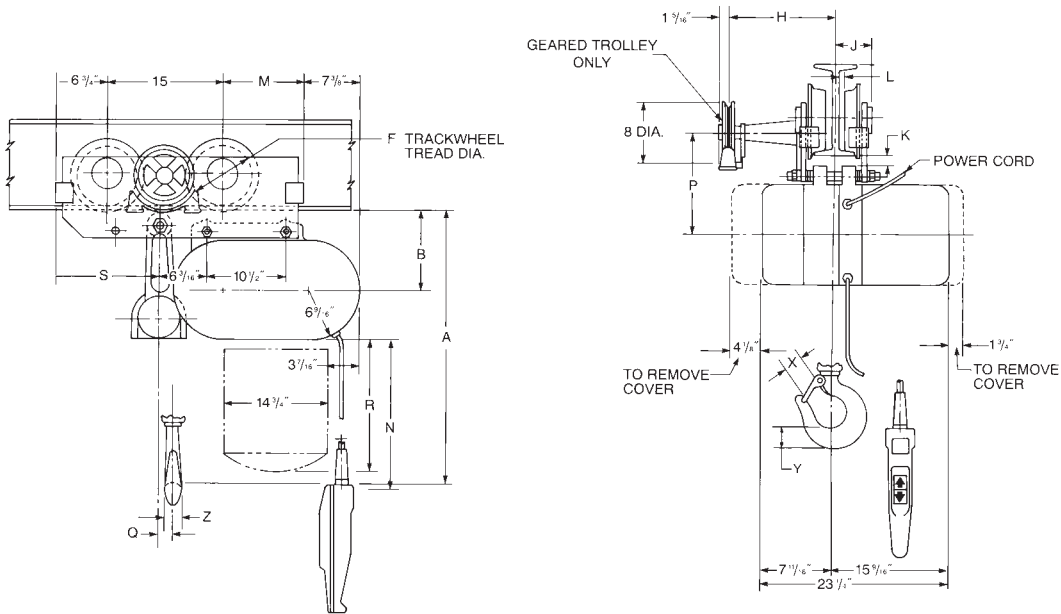


MEX (55) 53 63 23 31 • MTY (81) 83 54 10 18  
 QRO (442) 1 95 72 60 ventas@industrialmagza.com



# Powerstar with plain or geared trolley

7½, 9, 10, 12 & 15 ton capacities



## Clearance dimensions (in.)

| Dimension | Rated capacity* (tons)           |                                  |                                  |                                  |                                  |
|-----------|----------------------------------|----------------------------------|----------------------------------|----------------------------------|----------------------------------|
|           | 7½                               | 9                                | 10                               | 12                               | 15                               |
| A         | 39 <sup>3</sup> / <sub>8</sub>   | 41 <sup>3</sup> / <sub>16</sub>  | 41 <sup>3</sup> / <sub>16</sub>  | 41 <sup>3</sup> / <sub>16</sub>  | 47 <sup>15</sup> / <sub>16</sub> |
| B         | 11 <sup>13</sup> / <sub>16</sub> | 11 <sup>13</sup> / <sub>16</sub> | 11 <sup>13</sup> / <sub>16</sub> | 11 <sup>9</sup> / <sub>16</sub>  | 11 <sup>9</sup> / <sub>16</sub>  |
| F         | 8                                | 8                                | 8                                | 8                                | 8                                |
| H         | 14                               | 14¼                              | 14¼                              | 14 <sup>3</sup> / <sub>4</sub>   | 13 <sup>13</sup> / <sub>16</sub> |
| J         | 5 <sup>1</sup> / <sub>8</sub>    | 5 <sup>3</sup> / <sub>8</sub>    | 5 <sup>3</sup> / <sub>8</sub>    | 5 <sup>7</sup> / <sub>8</sub>    | 5 <sup>7</sup> / <sub>8</sub>    |
| K         | 1½                               | 1 <sup>7</sup> / <sub>16</sub>   | 1 <sup>7</sup> / <sub>16</sub>   | 1¼                               | 1¼                               |
| L         | ¾                                | 1 <sup>5</sup> / <sub>16</sub>   | 1 <sup>5</sup> / <sub>16</sub>   | 1 <sup>1</sup> / <sub>16</sub>   | 1 <sup>1</sup> / <sub>16</sub>   |
| M         | 10 <sup>3</sup> / <sub>4</sub>   | 10 <sup>3</sup> / <sub>4</sub>   | 10 <sup>3</sup> / <sub>4</sub>   | 10 <sup>3</sup> / <sub>4</sub>   | 13 <sup>3</sup> / <sub>16</sub>  |
| N**       | 17'-10"                          | 17'-10"                          | 17'-10"                          | 17'-10"                          | 17'-10"                          |
| P         | 16 <sup>5</sup> / <sub>16</sub>  | 16 <sup>5</sup> / <sub>16</sub>  | 16 <sup>5</sup> / <sub>16</sub>  | 16 <sup>5</sup> / <sub>16</sub>  | 16 <sup>5</sup> / <sub>16</sub>  |
| Q         | 1 <sup>5</sup> / <sub>16</sub>   | 1 <sup>5</sup> / <sub>16</sub>   | 1 <sup>5</sup> / <sub>16</sub>   | 0                                | -1 <sup>13</sup> / <sub>16</sub> |
| R**       | 21½                              | 21½                              | 21½                              | 26 <sup>1</sup> / <sub>8</sub>   | 31 <sup>1</sup> / <sub>8</sub>   |
| S         | 12 <sup>13</sup> / <sub>16</sub> | 12 <sup>13</sup> / <sub>16</sub> | 12 <sup>13</sup> / <sub>16</sub> | 12 <sup>13</sup> / <sub>16</sub> | 16 <sup>1</sup> / <sub>6</sub>   |
| X         | 2 <sup>5</sup> / <sub>16</sub>   | 3                                | 3                                | 3                                | 3 <sup>5</sup> / <sub>8</sub>    |
| Y         | 2 <sup>9</sup> / <sub>16</sub>   | 3                                | 3                                | 3                                | 3 <sup>5</sup> / <sub>8</sub>    |
| Z         | 1 <sup>13</sup> / <sub>16</sub>  | 2 <sup>3</sup> / <sub>8</sub>    | 2 <sup>3</sup> / <sub>8</sub>    | 2 <sup>3</sup> / <sub>8</sub>    | 3                                |

\*\*Applies to 20 foot lift units

All dimensions are in inches and are based on minimum American standard section.

## Specifications

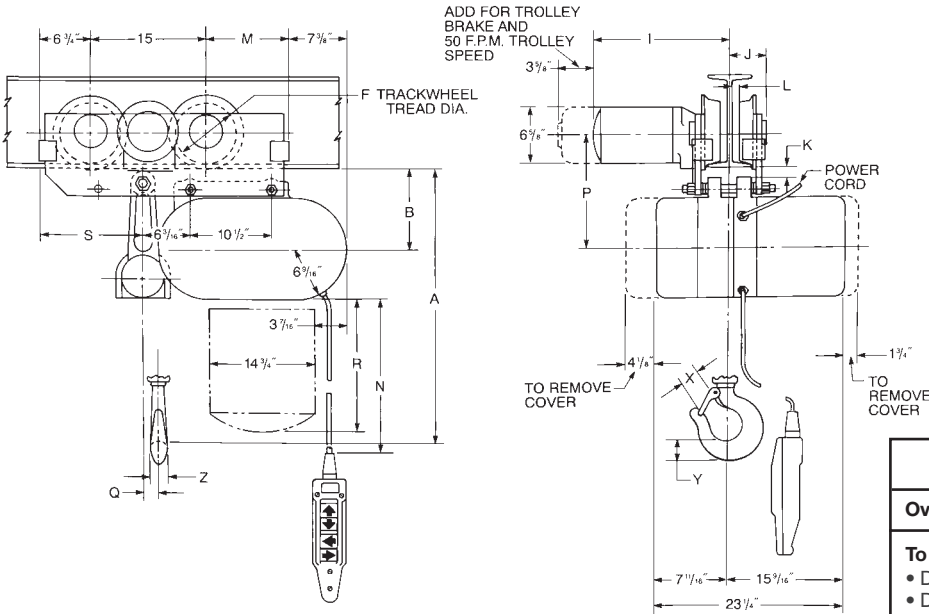
| Rated capacity* (tons) | Plain trolley |                        | Geared trolley† |                        | Std. range of adjust. Am. std. S-beams |                    | Min. radius curve (in.) |
|------------------------|---------------|------------------------|-----------------|------------------------|--|--------------------|-------------------------|
|                        | Product code  | Shipping weight (lbs.) | Product code    | Shipping weight (lbs.) | Min. beam size                         | Max. beam size     |                         |
| 7½                     | 7205          | 335                    | 7209            | 395                    | S15 x 42.9# x 5.5"                     | S24 x 100# x 7.25" | 120                     |
| 9                      | 7206          | 335                    | 7210            | 395                    | S18 x 54.7# x 6"                       | S24 x 121# x 8"    | 120                     |
| 10                     | 7207          | 335                    | 7211            | 395                    | S18 x 54.7# x 6"                       | S24 x 121# x 8"    | 120                     |
| 12                     | 7208          | 335                    | 7212            | 395                    | S20 x 86# x 7"                         | S24 x 121# x 8"    | 120                     |
| 15                     | 7530          | 350                    | 7532            | 410                    | S20 x 86# x 7"                         | S24 x 121# x 8"    | 120                     |

† Standard hand chain drop is in proportion to 20 ft. lift. For other chain drops, apply to factory.

**INDUSTRIAL MAGZA** MEX (55) 53 63 23 31 MTY (81) 83 54 10 18  
 DIST. AUTORIZADO QRO (442) 1 95 72 60 ventas@industrialmagza.com

# Powerstar with motor driven trolley

7½, 9, 10, 12 & 15 ton capacities



**\* ⚠ WARNING**

**Overloading and improper use can result in injury.**

**To avoid injury:**

- Do not exceed working load limit, load rating capacity
- Do not use to lift people or loads over people.
- use only alloy chain for overhead lifting.
- Read and follow all instructions.

## Clearance dimensions (in.)

| Dimension | Rated capacity* (tons)           |                                  |                                  |                                  |                                  |
|-----------|----------------------------------|----------------------------------|----------------------------------|----------------------------------|----------------------------------|
|           | 7½                               | 9                                | 10                               | 12                               | 15                               |
| A         | 39 <sup>3</sup> / <sub>8</sub>   | 41 <sup>3</sup> / <sub>16</sub>  | 41 <sup>3</sup> / <sub>16</sub>  | 41 <sup>3</sup> / <sub>16</sub>  | 47 <sup>15</sup> / <sub>16</sub> |
| B         | 11 <sup>13</sup> / <sub>16</sub> | 11 <sup>13</sup> / <sub>16</sub> | 11 <sup>13</sup> / <sub>16</sub> | 11 <sup>9</sup> / <sub>16</sub>  | 11 <sup>9</sup> / <sub>16</sub>  |
| F         | 8                                | 8                                | 8                                | 8                                | 8                                |
| I         | 18                               | 18 <sup>1</sup> / <sub>4</sub>   | 18 <sup>1</sup> / <sub>4</sub>   | 19 <sup>5</sup> / <sub>8</sub>   | 18 <sup>7</sup> / <sub>16</sub>  |
| J         | 5 <sup>1</sup> / <sub>8</sub>    | 5 <sup>3</sup> / <sub>8</sub>    | 5 <sup>3</sup> / <sub>8</sub>    | 5 <sup>7</sup> / <sub>8</sub>    | 5 <sup>7</sup> / <sub>8</sub>    |
| K         | 1 <sup>1</sup> / <sub>2</sub>    | 1 <sup>7</sup> / <sub>16</sub>   | 1 <sup>7</sup> / <sub>16</sub>   | 1 <sup>1</sup> / <sub>4</sub>    | 1 <sup>1</sup> / <sub>4</sub>    |
| L         | ¾                                | 1 <sup>5</sup> / <sub>16</sub>   | 1 <sup>5</sup> / <sub>16</sub>   | 1 <sup>1</sup> / <sub>16</sub>   | 1 <sup>1</sup> / <sub>16</sub>   |
| M         | 10 <sup>3</sup> / <sub>4</sub>   | 10 <sup>3</sup> / <sub>4</sub>   | 10 <sup>3</sup> / <sub>4</sub>   | 10 <sup>3</sup> / <sub>4</sub>   | 13 <sup>3</sup> / <sub>16</sub>  |
| N**       | 17'-10"                          | 17'-10"                          | 17'-10"                          | 17'-10"                          | 17'-10"                          |
| P         | 16 <sup>5</sup> / <sub>16</sub>  | 16 <sup>5</sup> / <sub>16</sub>  | 16 <sup>5</sup> / <sub>16</sub>  | 16 <sup>5</sup> / <sub>16</sub>  | 16 <sup>5</sup> / <sub>16</sub>  |
| Q         | 1 <sup>5</sup> / <sub>16</sub>   | 1 <sup>5</sup> / <sub>16</sub>   | 1 <sup>5</sup> / <sub>16</sub>   | 0                                | -1 <sup>3</sup> / <sub>16</sub>  |
| R**       | 21 <sup>1</sup> / <sub>2</sub>   | 21 <sup>1</sup> / <sub>2</sub>   | 21 <sup>1</sup> / <sub>2</sub>   | 26 <sup>1</sup> / <sub>8</sub>   | 31 <sup>1</sup> / <sub>8</sub>   |
| S         | 12 <sup>13</sup> / <sub>16</sub> | 12 <sup>13</sup> / <sub>16</sub> | 12 <sup>13</sup> / <sub>16</sub> | 12 <sup>13</sup> / <sub>16</sub> | 16 <sup>1</sup> / <sub>16</sub>  |
| X         | 2 <sup>5</sup> / <sub>16</sub>   | 3                                | 3                                | 3                                | 3 <sup>5</sup> / <sub>8</sub>    |
| Y         | 2 <sup>9</sup> / <sub>16</sub>   | 3                                | 3                                | 3                                | 3 <sup>5</sup> / <sub>8</sub>    |
| Z         | 1 <sup>13</sup> / <sub>16</sub>  | 2 <sup>3</sup> / <sub>8</sub>    | 2 <sup>3</sup> / <sub>8</sub>    | 2 <sup>3</sup> / <sub>8</sub>    | 3                                |

\*\*Applies to 20 foot lift units.

All dimensions are in inches and are based on minimum American standard section

## Specifications — trolley

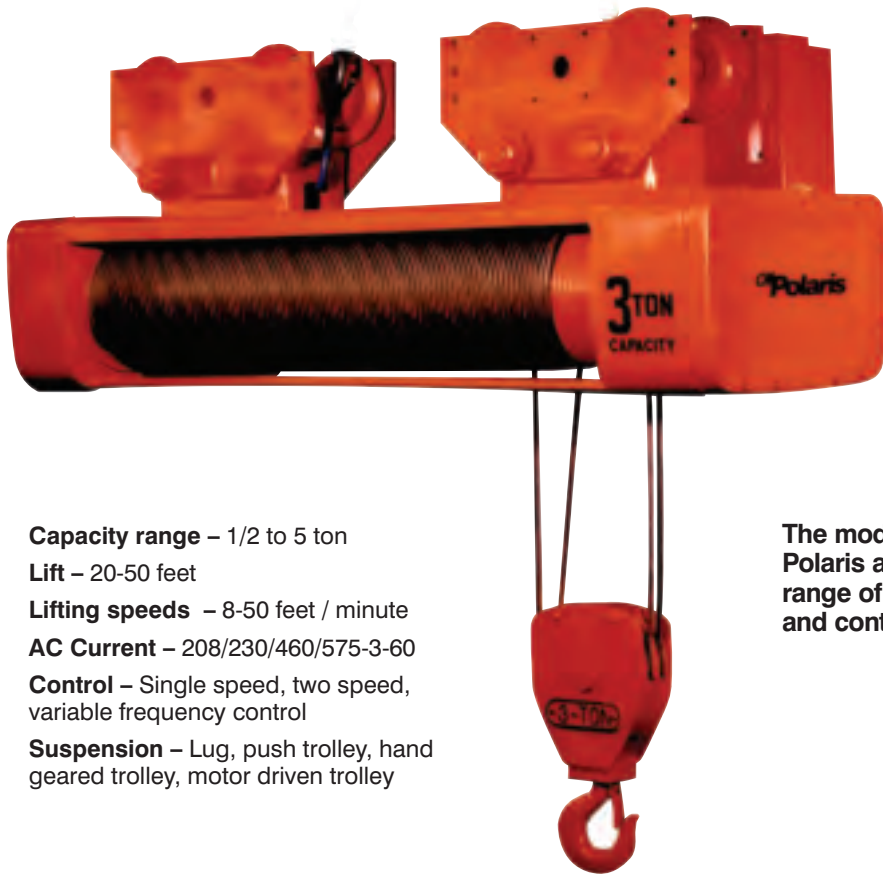
| Rated capacity* (tons) | Speed (F.P.M.) | Product code |          | Approx. shipping weight (lbs.) | Standard range of adjustability Am. std. S-beams |                    | Min. radius curve (in.) |
|------------------------|----------------|--------------|----------|--------------------------------|--|--------------------|-------------------------|
|                        |                | 230-3-60     | 460-3-60 |                                | Min. beam size                                   | Max. beam size     |                         |
| 7½                     | 35             | 7224         | 7224     | 390                            | S15 x 42.9# x 5.5"                               | S24 x 100# x 7.25" | 120                     |
| 9                      | 35             | 7225         | 7225     | 390                            | S18 x 54.7# x 6"                                 | S24 x 121# x 8"    | 120                     |
| 10                     | 35             | 7226         | 7226     | 390                            | S18 x 54.7# x 6"                                 | S24 x 121# x 8"    | 120                     |
| 12                     | 35             | 7227         | 7227     | 390                            | S20 x 86# x 7"                                   | S24 x 121# x 8"    | 120                     |
| 15                     | 35             | 7571         | 7299     | 405                            | S20 x 86# x 7"                                   | S24 x 121# x 8"    | 120                     |

Apply for other than standard trolley speeds and other than standard beam adjustment



**INDUSTRIAL MAGZA** MEX (55) 53 63 23 31 MTY (81) 83 54 10 18  
 DIST. AUTORIZADO QRO (442) 1 95 72 60 ventas@industrialmagza.com

# Polaris wire rope hoist



**Capacity range** – 1/2 to 5 ton  
**Lift** – 20-50 feet  
**Lifting speeds** – 8-50 feet / minute  
**AC Current** – 208/230/460/575-3-60  
**Control** – Single speed, two speed, variable frequency control  
**Suspension** – Lug, push trolley, hand geared trolley, motor driven trolley

The modular design and versatility of the Polaris allow users to select from a wide range of capacities, lifts, hoisting speeds and control options.

- Compact design and close end approaches provide high hook lift
- Steel mounting lug is integral to one-piece welded frame
- Totally enclosed oil bath lubricated drive train
- Easily accessible control enclosure
- D.C. disc. motor brake provides smooth braking action
- Oil level plug permits easy inspection of oil level
- Deep grooved large diameter rope drum helps prevent rope overwrap for longer wire rope life
- High-torque, heavy-duty hoist motor for smooth hoisting action
- Anti-friction bearings throughout for long lasting hoist drive
- Triple reduction helical/spur gearing operates in oil bath lube for maximum gearing life
- Made in U.S.A.

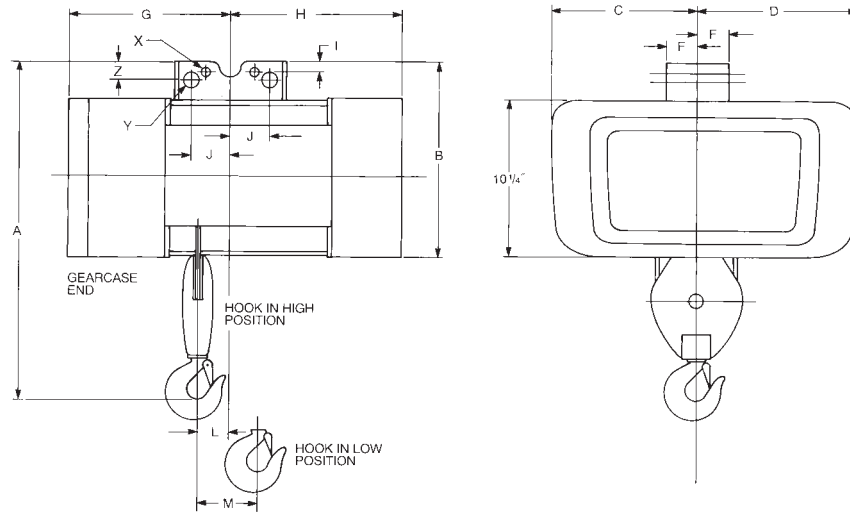
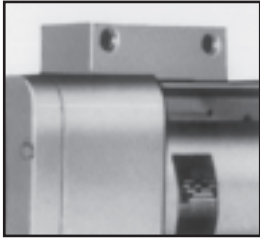
## \* WARNING

Overloading and improper use can result in injury.

### To avoid injury:

- Do not exceed working load limit, load rating capacity
- Do not use to lift people or loads over people.
- use only alloy chain for overhead lifting.
- Read and follow all instructions.

# Polaris hoist with lug suspension



## Clearance dimensions (in.)

| Rated capacity* (tons) | A                              | B                              | C                             | D                              | F | G                              | H                              | I                              | J                             | L                              | M                             | X                              | Y                              | Z                              |
|------------------------|--------------------------------|--------------------------------|-------------------------------|--------------------------------|---|--------------------------------|--------------------------------|--------------------------------|-------------------------------|--------------------------------|-------------------------------|--------------------------------|--------------------------------|--------------------------------|
| 1                      | 21 <sup>3</sup> / <sub>4</sub> | 12 <sup>5</sup> / <sub>8</sub> | 9 <sup>3</sup> / <sub>8</sub> | 10 <sup>1</sup> / <sub>4</sub> | 2 | 10 <sup>5</sup> / <sub>8</sub> | 11 <sup>1</sup> / <sub>8</sub> | 1 <sup>1</sup> / <sub>16</sub> | 2 <sup>1</sup> / <sub>2</sub> | 2                              | 3 <sup>7</sup> / <sub>8</sub> | 2 <sup>1</sup> / <sub>32</sub> | 1 <sup>1</sup> / <sub>32</sub> | 1 <sup>3</sup> / <sub>16</sub> |
| 2                      | 23 <sup>1</sup> / <sub>2</sub> | 12 <sup>5</sup> / <sub>8</sub> | 9 <sup>3</sup> / <sub>8</sub> | 10 <sup>1</sup> / <sub>4</sub> | 2 | 10 <sup>5</sup> / <sub>8</sub> | 11 <sup>1</sup> / <sub>8</sub> | 1 <sup>1</sup> / <sub>16</sub> | 2 <sup>1</sup> / <sub>2</sub> | 2                              | 3 <sup>7</sup> / <sub>8</sub> | 2 <sup>1</sup> / <sub>32</sub> | 1 <sup>1</sup> / <sub>32</sub> | 1 <sup>3</sup> / <sub>16</sub> |
| 3                      | 26                             | 13 <sup>5</sup> / <sub>8</sub> | 9 <sup>1</sup> / <sub>8</sub> | 10 <sup>1</sup> / <sub>2</sub> | 3 | 12 <sup>1</sup> / <sub>2</sub> | 22 <sup>3</sup> / <sub>8</sub> | 1 <sup>5</sup> / <sub>16</sub> | 3                             | 1 <sup>1</sup> / <sub>32</sub> | 5 <sup>3</sup> / <sub>8</sub> | —                              | 1 <sup>9</sup> / <sub>32</sub> | —                              |
| 5                      | 27 <sup>3</sup> / <sub>4</sub> | 13 <sup>5</sup> / <sub>8</sub> | 9 <sup>1</sup> / <sub>8</sub> | 10 <sup>1</sup> / <sub>2</sub> | 3 | 12 <sup>1</sup> / <sub>2</sub> | 22 <sup>5</sup> / <sub>8</sub> | 1 <sup>5</sup> / <sub>16</sub> | 3                             | 7 <sup>7</sup> / <sub>8</sub>  | 3 <sup>1</sup> / <sub>2</sub> | —                              | 1 <sup>9</sup> / <sub>32</sub> | —                              |

## Specifications

| Product code | Rated capacity* (tons) | Lift (ft.) | Speed (F.P.M.) | H.P. | Rope no. & dia. | Net weight (lbs.) |
|--------------|------------------------|------------|----------------|------|-----------------|-------------------|
| 6000L        | 1                      | 25         | 16             | 1    | 2 1/4           | 190               |
| 6004L        | 2                      | 20         | 16             | 2    | 2 5/16          | 220               |
| 6008L        | 3                      | 30         | 16             | 4    | 4 5/16          | 335               |
| 6016L        | 5                      | 20         | 12             | 4    | 6 5/16          | 355               |

### \* **WARNING**

Overloading and improper use can result in injury.

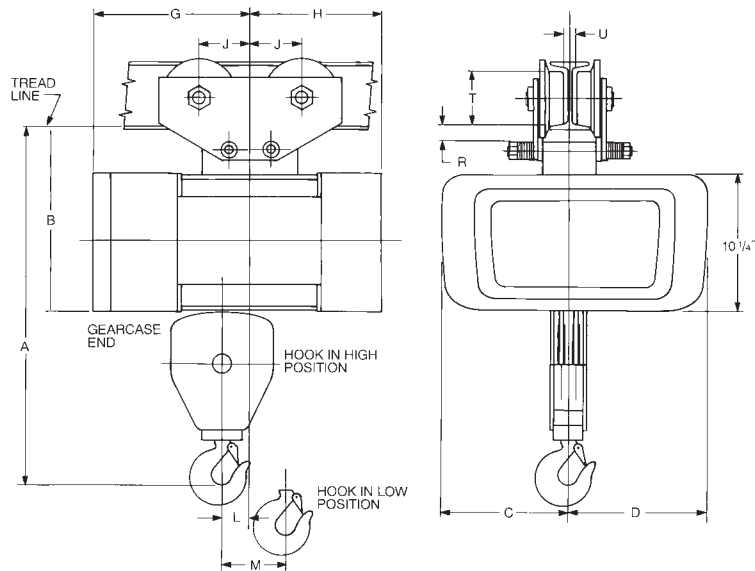
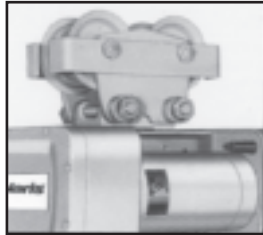
#### To avoid injury:

- Do not exceed working load limit, load rating capacity
- Do not use to lift people or loads over people.
- use only alloy chain for overhead lifting.
- Read and follow all instructions.



MEX (55) 53 63 23 31 MTY (81) 83 54 10 18  
 QRO (442) 1 95 72 60 ventas@industrialmagza.com

# Polaris hoist with plain push trolley



## Clearance dimensions (in.)

| Rated capacity* (tons) | A                                | B                                | C                             | D                              | G                              | H                              | J                              | L                              | M                             | R                              | T                               | U                              |
|------------------------|----------------------------------|----------------------------------|-------------------------------|--------------------------------|--------------------------------|--------------------------------|--------------------------------|--------------------------------|-------------------------------|--------------------------------|---------------------------------|--------------------------------|
| 1                      | 22 <sup>15</sup> / <sub>16</sub> | 13 <sup>13</sup> / <sub>16</sub> | 9 <sup>3</sup> / <sub>8</sub> | 10 <sup>1</sup> / <sub>4</sub> | 10 <sup>5</sup> / <sub>8</sub> | 11 <sup>1</sup> / <sub>8</sub> | 3 <sup>1</sup> / <sub>8</sub>  | 2                              | 3 <sup>7</sup> / <sub>8</sub> | 1 <sup>5</sup> / <sub>32</sub> | 4                               | 1 <sup>1</sup> / <sub>4</sub>  |
| 2                      | 24 <sup>5</sup> / <sub>16</sub>  | 13 <sup>7</sup> / <sub>16</sub>  | 9 <sup>3</sup> / <sub>8</sub> | 10 <sup>1</sup> / <sub>4</sub> | 10 <sup>5</sup> / <sub>8</sub> | 11 <sup>1</sup> / <sub>8</sub> | 3 <sup>7</sup> / <sub>16</sub> | 2                              | 3 <sup>7</sup> / <sub>8</sub> | 1 <sup>3</sup> / <sub>16</sub> | 4 <sup>15</sup> / <sub>16</sub> | 1 <sup>3</sup> / <sub>16</sub> |
| 3                      | 27 <sup>3</sup> / <sub>16</sub>  | 14 <sup>5</sup> / <sub>8</sub>   | 9 <sup>1</sup> / <sub>8</sub> | 10 <sup>1</sup> / <sub>2</sub> | 12 <sup>1</sup> / <sub>2</sub> | 22 <sup>3</sup> / <sub>8</sub> | 6                              | 1 <sup>1</sup> / <sub>32</sub> | 5 <sup>3</sup> / <sub>8</sub> | 1 <sup>3</sup> / <sub>16</sub> | 6 <sup>1</sup> / <sub>2</sub>   | 1                              |
| 5                      | 29 <sup>1</sup> / <sub>16</sub>  | 14 <sup>15</sup> / <sub>16</sub> | 9 <sup>1</sup> / <sub>8</sub> | 10 <sup>1</sup> / <sub>2</sub> | 12 <sup>1</sup> / <sub>2</sub> | 22 <sup>3</sup> / <sub>8</sub> | 6                              | 7/ <sub>8</sub>                | 3 <sup>1</sup> / <sub>2</sub> | 1 <sup>5</sup> / <sub>16</sub> | 6 <sup>1</sup> / <sub>2</sub>   | 1                              |

## Specifications

| Product code | Rated capacity* (tons) | Lift (ft.) | Speed (F.P.M.) | H.P. | Rope no. & dia. | Net weight (lbs.) |
|--------------|------------------------|------------|----------------|------|-----------------|-------------------|
| 6000P        | 1                      | 25         | 16             | 1    | 2 1/4           | 213               |
| 6004P        | 2                      | 20         | 16             | 2    | 2 5/16          | 263               |
| 6008P        | 3                      | 30         | 16             | 4    | 4 5/16          | 475               |
| 6016P        | 5                      | 20         | 12             | 4    | 6 5/16          | 495               |

Trolley flange range width 1 ton 3" min., 5" max.; 2 ton 3<sup>5</sup>/<sub>8</sub>" min., 6" max.; 3-5 ton 4" min., 6<sup>1</sup>/<sub>4</sub>" max.

## \* WARNING

Overloading and improper use can result in injury.

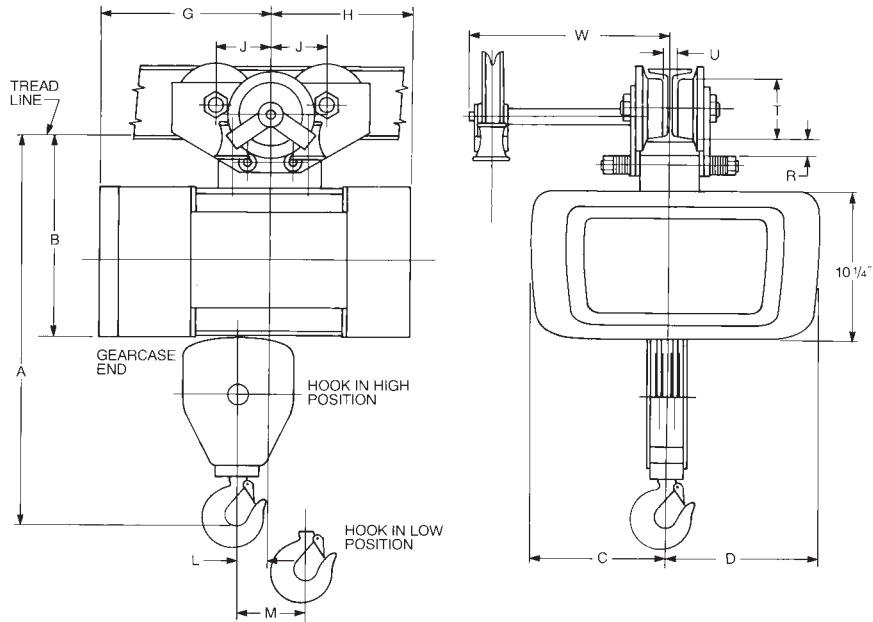
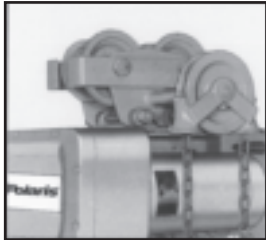
### To avoid injury:

- Do not exceed working load limit, load rating capacity
- Do not use to lift people or loads over people.
- use only alloy chain for overhead lifting.
- Read and follow all instructions.



MEX (55) 53 63 23 31 MTY (81) 83 54 10 18  
 QRO (442) 1 95 72 60 ventas@industrialmagza.com

# Polaris hoist with hand geared trolley



## Clearance dimensions (in.)

| Rated capacity* (tons) | A                                | B                                | C                             | D                              | G                              | H                              | J                              | L                              | M                             | R                              | T                               | U                             | W                              |
|------------------------|----------------------------------|----------------------------------|-------------------------------|--------------------------------|--------------------------------|--------------------------------|--------------------------------|--------------------------------|-------------------------------|--------------------------------|---------------------------------|-------------------------------|--------------------------------|
| 1                      | 22 <sup>15</sup> / <sub>16</sub> | 13 <sup>13</sup> / <sub>16</sub> | 9 <sup>3</sup> / <sub>8</sub> | 10 <sup>1</sup> / <sub>4</sub> | 10 <sup>5</sup> / <sub>8</sub> | 11 <sup>1</sup> / <sub>8</sub> | 3 <sup>1</sup> / <sub>8</sub>  | 2                              | 3 <sup>7</sup> / <sub>8</sub> | 1 <sup>5</sup> / <sub>32</sub> | 4                               | 7 <sup>7</sup> / <sub>8</sub> | 13                             |
| 2                      | 24 <sup>5</sup> / <sub>16</sub>  | 13 <sup>7</sup> / <sub>16</sub>  | 9 <sup>3</sup> / <sub>8</sub> | 10 <sup>1</sup> / <sub>4</sub> | 10 <sup>5</sup> / <sub>8</sub> | 11 <sup>1</sup> / <sub>8</sub> | 3 <sup>7</sup> / <sub>16</sub> | 2                              | 3 <sup>7</sup> / <sub>8</sub> | 1 <sup>3</sup> / <sub>16</sub> | 4 <sup>15</sup> / <sub>16</sub> | 1 <sup>1</sup> / <sub>4</sub> | 13 <sup>5</sup> / <sub>8</sub> |
| 3                      | 28 <sup>3</sup> / <sub>16</sub>  | 14 <sup>13</sup> / <sub>16</sub> | 9 <sup>1</sup> / <sub>8</sub> | 10 <sup>1</sup> / <sub>2</sub> | 12 <sup>1</sup> / <sub>2</sub> | 22 <sup>3</sup> / <sub>8</sub> | 6                              | 1 <sup>1</sup> / <sub>32</sub> | 5 <sup>3</sup> / <sub>8</sub> | 1 <sup>3</sup> / <sub>16</sub> | 6 <sup>1</sup> / <sub>2</sub>   | 1                             | 19 <sup>1</sup> / <sub>8</sub> |
| 5                      | 29 <sup>1</sup> / <sub>16</sub>  | 14 <sup>15</sup> / <sub>16</sub> | 9 <sup>1</sup> / <sub>8</sub> | 10 <sup>1</sup> / <sub>2</sub> | 12 <sup>1</sup> / <sub>2</sub> | 22 <sup>3</sup> / <sub>8</sub> | 6                              | 7 <sup>7</sup> / <sub>8</sub>  | 3 <sup>1</sup> / <sub>2</sub> | 1 <sup>5</sup> / <sub>16</sub> | 6 <sup>1</sup> / <sub>2</sub>   | 1                             | 19 <sup>1</sup> / <sub>8</sub> |

## Specifications

| Product code | Rated capacity* (tons) | Lift (ft.) | Speed (F.P.M.) | H.P. | Rope no. & dia. | Net weight (lbs.) |
|--------------|------------------------|------------|----------------|------|-----------------|-------------------|
| 6000G        | 1                      | 25         | 18             | 1    | 2 1/4           | 230               |
| 6004G        | 2                      | 20         | 14             | 2    | 2 5/16          | 280               |
| 6008G        | 3                      | 30         | 18             | 4    | 4 5/16          | 560               |
| 6016G        | 5                      | 20         | 10             | 4    | 6 5/16          | 580               |

Trolley flange range width 1 ton 3" min., 5" max.; 2 ton 3<sup>5</sup>/<sub>8</sub>" min., 6" max.; 3-5 ton 4" min., 6<sup>1</sup>/<sub>4</sub>" max.

## \* **WARNING**

Overloading and improper use can result in injury.

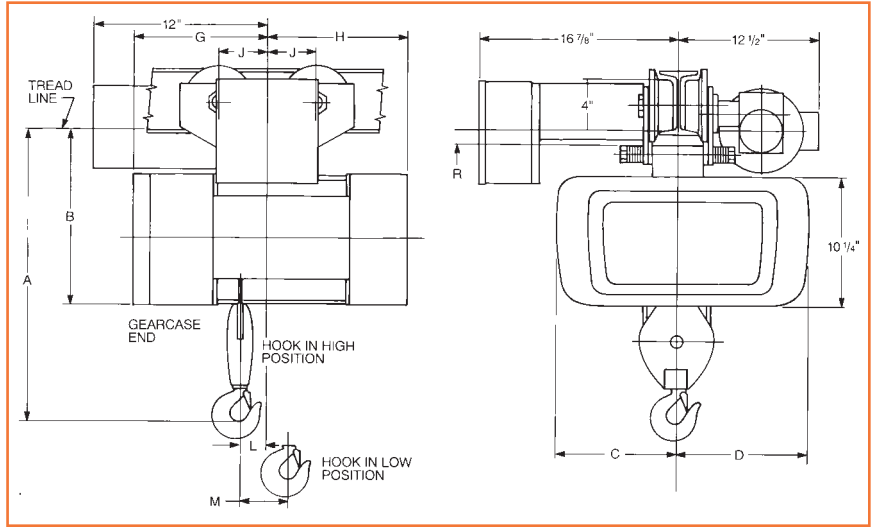
### To avoid injury:

- Do not exceed working load limit, load rating capacity
- Do not use to lift people or loads over people.
- use only alloy chain for overhead lifting.
- Read and follow all instructions.



MEX (55) 53 63 23 31 MTY (81) 83 54 10 18  
 QRO (442) 1 95 72 60 ventas@industrialmagza.com

# Polaris hoist with motor driven trolley



### Clearance dimensions (in.)

| Rated capacity* (tons) | A       | B       | C     | D      | G      | H      | J      | L | M     | R      |
|------------------------|---------|---------|-------|--------|--------|--------|--------|---|-------|--------|
| 1                      | 22 1/16 | 13 9/16 | 9 3/8 | 10 1/4 | 10 5/8 | 11 1/8 | 3 7/8  | 2 | 3 7/8 | 1 5/16 |
| 2                      | 24 7/16 | 13 9/16 | 9 3/8 | 10 1/4 | 10 5/8 | 11 1/8 | 4 9/16 | 2 | 3 7/8 | 1 5/16 |

### Specifications

| Product code | Rated capacity* (tons) | HOIST      |                |      |                 | TROLLEY        |      | Net weight (lbs.) |
|--------------|------------------------|------------|----------------|------|-----------------|----------------|------|-------------------|
|              |                        | Lift (ft.) | Speed (F.P.M.) | H.P. | Rope no. & dia. | Speed (F.P.M.) | H.P. |                   |
| 6000M        | 1                      | 25         | 16             | 1    | 2 1/4           | 75             | 1/4  | 266               |
| 6004M        | 2                      | 20         | 16             | 2    | 2 5/16          | 60             | 1/4  | 385               |

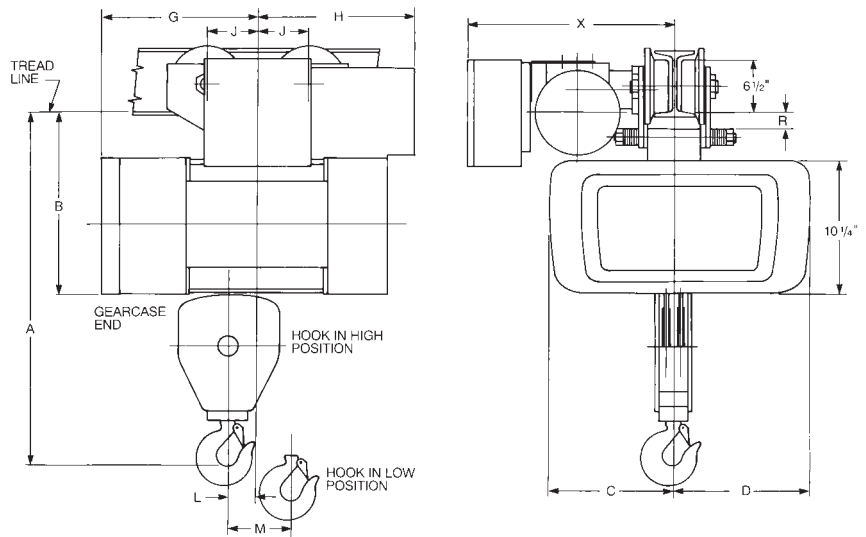
Trolley flange range width 1 ton 3" min., 5" max.; 2 ton 3 5/8" min., 6" max.

**\* ⚠ WARNING**

**Overloading and improper use can result in injury.**

**To avoid injury:**

- Do not exceed working load limit, load rating capacity
- Do not use to lift people or loads over people.
- use only alloy chain for overhead lifting.
- Read and follow all instructions.



### Clearance dimensions (in.)

| Rated capacity* (tons) | A       | B        | C     | D      | G      | H      | J | L      | M     | R      |
|------------------------|---------|----------|-------|--------|--------|--------|---|--------|-------|--------|
| 3                      | 27 3/16 | 14 5/8   | 9 1/8 | 10 1/2 | 12 1/2 | 22 3/8 | 6 | 1 1/32 | 5 3/8 | 1 3/16 |
| 5                      | 29 1/16 | 14 15/16 | 9 1/8 | 10 1/2 | 12 1/2 | 22 3/8 | 6 | 7/8    | 3 1/2 | 1 5/16 |

### Specifications

| Product code | Rated capacity* (tons) | HOIST      |                |      |                 | TROLLEY        |      | Net weight (lbs.) |
|--------------|------------------------|------------|----------------|------|-----------------|----------------|------|-------------------|
|              |                        | Lift (ft.) | Speed (F.P.M.) | H.P. | Rope no. & dia. | Speed (F.P.M.) | H.P. |                   |
| 6008M        | 3                      | 30         | 16             | 4    | 4 5/16          | 50             | 1/2  | 525               |
| 6016M        | 5                      | 20         | 12             | 4    | 6 5/16          | 50             | 1/2  | 545               |

Trolley flange range width 4" min., 6 1/4" max.



MEX (55) 53 63 23 31 MTY (81) 83 54 10 18  
 QRO (442) 1 95 72 60 ventas@industrialmagza.com

# Apollo wire rope hoist

The Apollo compact wire rope hoist provides high hook lift with no design compromises. It lets you choose from the widest range of lifts, lifting speeds, clearances, mounting options and controls of any hoist on the market.



- Weston-type mechanical load brake and multiple disc motor brake
- 2-20 ton capacity for wide range of lifting needs
- Low headroom design
- Double reduction reduced gearing provides smooth, quiet drive train
- NEMA 4, 4x/12 enclosed push-button control
- Reverse plugging block operated upper limit switch
- Aluminum gear housing and covers
- Deep grooved, large diameter rope drum eliminates overwrap
- Plain, geared or motor driven trolleys available
- Rugged, low maintenance contactor control
- Hinged control panel cover permits easy access to the control components
- One piece welded steel frame ensures precise fit and long life
- Integrally mounted weldinglug permits various trolley attachment options
- Block operated limit switch
- Bearings supported in an independent gear case spider give a precise fit and allow removal of gear case cover without disassembly of gearing
- One-year warranty
- Tested to 125% of rated load prior to shipment
- Metric rated
- Made in the U.S.A.

## \* WARNING

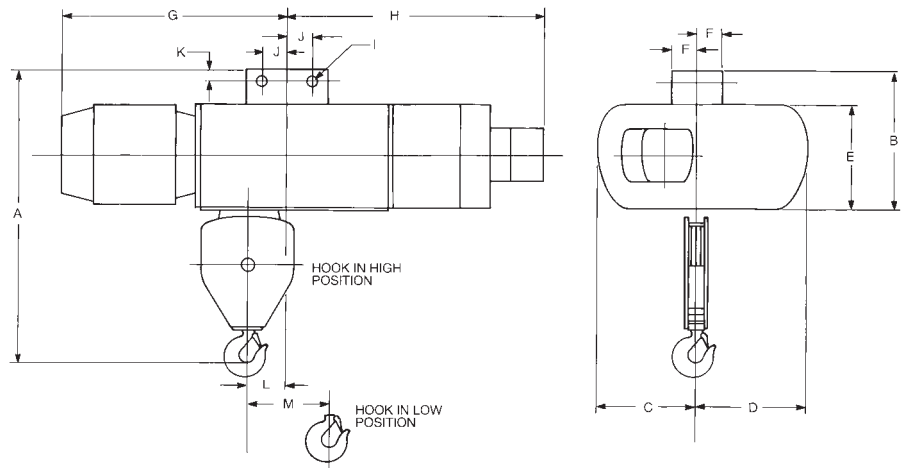
Overloading and improper use can result in injury.

### To avoid injury:

- Do not exceed working load limit, load rating capacity
- Do not use to lift people or loads over people.
- use only alloy chain for overhead lifting.
- Read and follow all instructions.



# Apollo hoist with lug suspension



## Clearance dimensions (in.)

| Rated capacity* (tons) | A                              | B                              | C                              | D                              | E                              | F | G                              | H                              | I                               | J | K                             | L                             | M                             |
|------------------------|--------------------------------|--------------------------------|--------------------------------|--------------------------------|--------------------------------|---|--------------------------------|--------------------------------|---------------------------------|---|-------------------------------|-------------------------------|-------------------------------|
| 5                      | 36 <sup>5</sup> / <sub>8</sub> | 16 <sup>1</sup> / <sub>2</sub> | 11 <sup>5</sup> / <sub>8</sub> | 13 <sup>1</sup> / <sub>8</sub> | 12 <sup>1</sup> / <sub>2</sub> | 3 | 22 <sup>3</sup> / <sub>4</sub> | 30 <sup>1</sup> / <sub>4</sub> | 1 <sup>9</sup> / <sub>32</sub>  | 3 | 1 <sup>1</sup> / <sub>8</sub> | 3 <sup>3</sup> / <sub>4</sub> | 4 <sup>7</sup> / <sub>8</sub> |
| 7.5                    | 36 <sup>7</sup> / <sub>8</sub> | 16 <sup>1</sup> / <sub>2</sub> | 11 <sup>5</sup> / <sub>8</sub> | 13 <sup>3</sup> / <sub>8</sub> | 12 <sup>1</sup> / <sub>2</sub> | 3 | 25 <sup>5</sup> / <sub>8</sub> | 30 <sup>1</sup> / <sub>4</sub> | 1 <sup>17</sup> / <sub>32</sub> | 3 | 1 <sup>1</sup> / <sub>8</sub> | 3 <sup>1</sup> / <sub>4</sub> | 4 <sup>3</sup> / <sub>4</sub> |

## Specifications

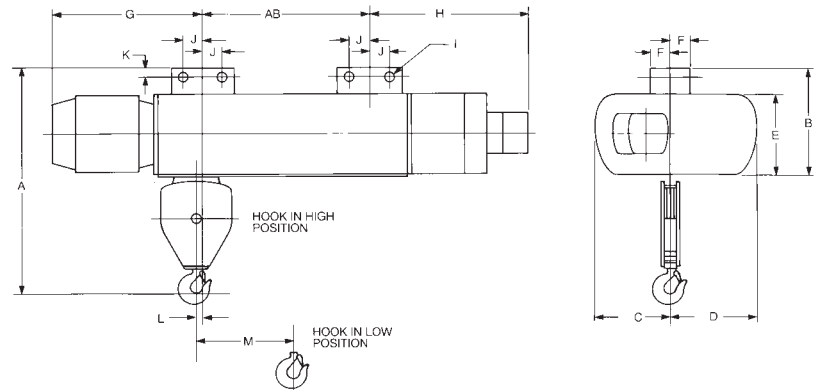
| Product code | Rated capacity* (tons) | Lift (ft.) | Speed (F.P.M.) | H.P. | Rope no. & dia. | Weight (lbs.) |
|--------------|------------------------|------------|----------------|------|-----------------|---------------|
| 6020L        | 5                      | 26         | 15             | 5    | 4 3/8           | 860           |
| 6028L        | 7.5                    | 22         | 14             | 7.5  | 4 7/16          | 910           |

## \* **WARNING**

Overloading and improper use can result in injury.

### To avoid injury:

- Do not exceed working load limit, load rating capacity
- Do not use to lift people or loads over people.
- Use only alloy chain for overhead lifting.
- Read and follow all instructions.



## Dual lug

## Clearance dimensions (in.)

| Rated capacity* (tons) | A                              | B                              | C                              | D                              | E                              | F | G                              | H                              | I                               | J | K                             | L                             | M                             | AB                             |
|------------------------|--------------------------------|--------------------------------|--------------------------------|--------------------------------|--------------------------------|---|--------------------------------|--------------------------------|---------------------------------|---|-------------------------------|-------------------------------|-------------------------------|--------------------------------|
| 5                      | 36 <sup>5</sup> / <sub>8</sub> | 16 <sup>1</sup> / <sub>2</sub> | 11 <sup>5</sup> / <sub>8</sub> | 13 <sup>1</sup> / <sub>8</sub> | 12 <sup>1</sup> / <sub>2</sub> | 3 | 25 <sup>3</sup> / <sub>4</sub> | 24                             | 1 <sup>9</sup> / <sub>32</sub>  | 3 | 1 <sup>3</sup> / <sub>8</sub> | 3 <sup>3</sup> / <sub>8</sub> | 8 <sup>3</sup> / <sub>4</sub> | 25 <sup>3</sup> / <sub>8</sub> |
| 10                     | 39 <sup>7</sup> / <sub>8</sub> | 19                             | 11 <sup>5</sup> / <sub>8</sub> | 13 <sup>1</sup> / <sub>8</sub> | 12 <sup>1</sup> / <sub>2</sub> | 3 | 19 <sup>7</sup> / <sub>8</sub> | 23 <sup>5</sup> / <sub>8</sub> | 1 <sup>17</sup> / <sub>32</sub> | 3 | 1 <sup>1</sup> / <sub>2</sub> | 2 <sup>5</sup> / <sub>8</sub> | 5 <sup>3</sup> / <sub>4</sub> | 27 <sup>5</sup> / <sub>8</sub> |

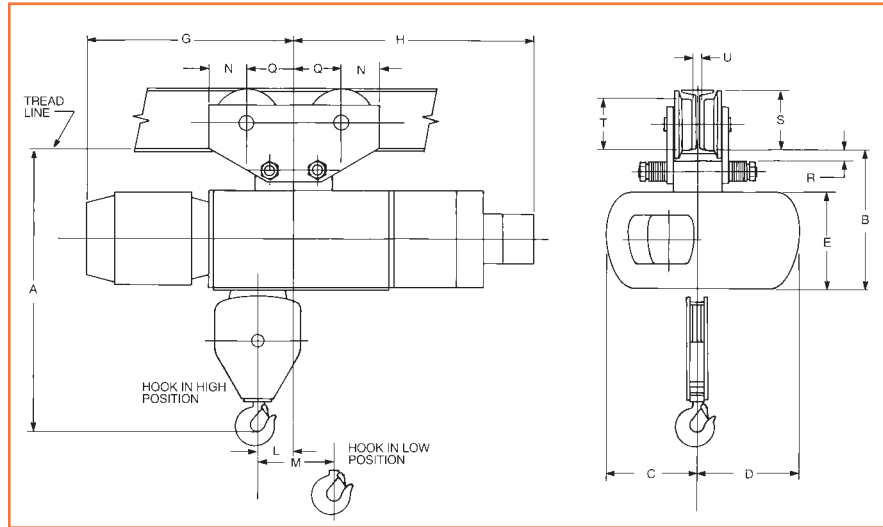
## Specifications

| Product code | Rated capacity* (tons) | Lift (ft.) | Speed (F.P.M.) | H.P. | Rope no. & dia. | Weight (lbs.) |
|--------------|------------------------|------------|----------------|------|-----------------|---------------|
| 6024L        | 5                      | 47         | 20             | 7.5  | 4 3/8           | 1225          |
| 6032L        | 10                     | 25         | 13.5           | 10   | 6 7/16          | 1325          |



MEX (55) 53 63 23 31 MTY (81) 83 54 10 18  
 QRO (442) 1 95 72 60 ventas@industrialmagza.com

# Apollo hoist with plain push trolley



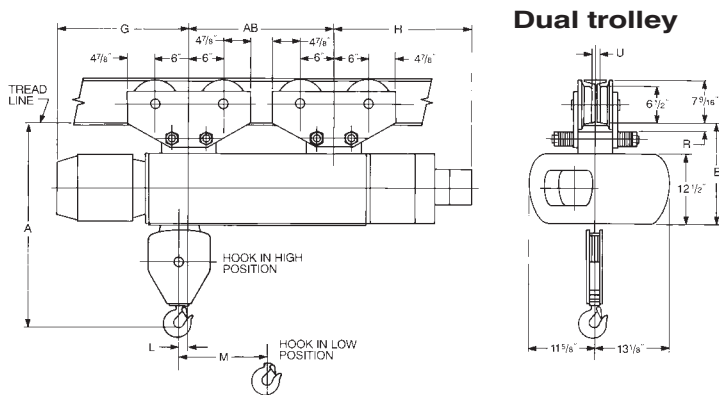
## Clearance dimensions (in.)

| Rated capacity* (tons) | A  | B                              | C                              | D                              | E                              | G                              | H                              | L                             | M                             | N                             | Q | R                               | S                              | T                             | U |
|------------------------|----|--------------------------------|--------------------------------|--------------------------------|--------------------------------|--------------------------------|--------------------------------|-------------------------------|-------------------------------|-------------------------------|---|---------------------------------|--------------------------------|-------------------------------|---|
| 5                      | 38 | 17 <sup>7</sup> / <sub>8</sub> | 11 <sup>5</sup> / <sub>8</sub> | 13 <sup>1</sup> / <sub>8</sub> | 12 <sup>1</sup> / <sub>2</sub> | 22 <sup>3</sup> / <sub>4</sub> | 30 <sup>1</sup> / <sub>4</sub> | 3 <sup>3</sup> / <sub>4</sub> | 4 <sup>7</sup> / <sub>8</sub> | 4 <sup>7</sup> / <sub>8</sub> | 6 | 1 <sup>13</sup> / <sub>32</sub> | 7 <sup>9</sup> / <sub>16</sub> | 6 <sup>1</sup> / <sub>2</sub> | 1 |
| 7.5                    | 38 | 17 <sup>7</sup> / <sub>8</sub> | 11 <sup>5</sup> / <sub>8</sub> | 13 <sup>1</sup> / <sub>8</sub> | 12 <sup>1</sup> / <sub>2</sub> | 25 <sup>3</sup> / <sub>8</sub> | 30 <sup>1</sup> / <sub>4</sub> | 3 <sup>1</sup> / <sub>4</sub> | 4 <sup>3</sup> / <sub>4</sub> | 4 <sup>7</sup> / <sub>8</sub> | 6 | 1 <sup>13</sup> / <sub>32</sub> | 7 <sup>9</sup> / <sub>16</sub> | 6 <sup>1</sup> / <sub>2</sub> | 1 |

## Specifications

| Product code | Rated capacity* (tons) | Lift (ft.) | Speed (F.P.M.) | H.P. | Rope no. & dia. | Net weight (lbs.) |
|--------------|------------------------|------------|----------------|------|-----------------|-------------------|
| 6020P        | 5                      | 26         | 15             | 5    | 4 3/8           | 1000              |
| 6028P        | 7.5                    | 22         | 14             | 7.5  | 4 7/16          | 1050              |

Trolley flange size range width 4" min., 6<sup>1</sup>/<sub>4</sub>" max. standard



## Dual trolley

## \* ⚠ WARNING

Overloading and improper use can result in injury.

### To avoid injury:

- Do not exceed working load limit, load rating capacity
- Do not use to lift people or loads over people.
- use only alloy chain for overhead lifting.
- Read and follow all instructions.

## Clearance dimensions (in.)

| Rated capacity* (tons) | A                              | B                              | G                              | H                              | L                             | M                             | R                               | U                               | AB                             |
|------------------------|--------------------------------|--------------------------------|--------------------------------|--------------------------------|-------------------------------|-------------------------------|---------------------------------|---------------------------------|--------------------------------|
| 5                      | 38                             | 17 <sup>7</sup> / <sub>8</sub> | 22 <sup>5</sup> / <sub>8</sub> | 24                             | 3/8                           | 8 <sup>3</sup> / <sub>4</sub> | 1 <sup>13</sup> / <sub>32</sub> | 1                               | 25 <sup>3</sup> / <sub>8</sub> |
| 10                     | 41 <sup>7</sup> / <sub>8</sub> | 20 <sup>1</sup> / <sub>4</sub> | 19 <sup>7</sup> / <sub>8</sub> | 23 <sup>5</sup> / <sub>8</sub> | 2 <sup>5</sup> / <sub>8</sub> | 5 <sup>3</sup> / <sub>4</sub> | 1 <sup>9</sup> / <sub>32</sub>  | 1 <sup>11</sup> / <sub>16</sub> | 27 <sup>5</sup> / <sub>8</sub> |

## Specifications

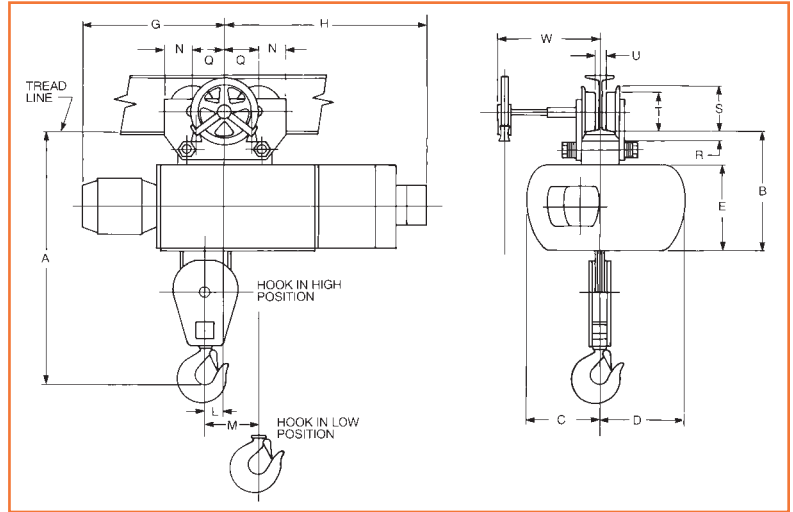
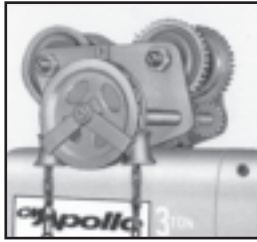
| Product code | Rated capacity* (tons) | Lift (ft.) | Speed (F.P.M.) | H.P. | Rope no. & dia. | Weight (lbs.) |
|--------------|------------------------|------------|----------------|------|-----------------|---------------|
| 024P         | 5                      | 47         | 20             | 7.5  | 4 3/8           | 1590          |
| 032P         | 10                     | 25         | 13             | 10   | 6 7/16          | 1690          |

Trolley flange size range width 4" min., 6<sup>1</sup>/<sub>4</sub>" max. standard



MEX (55) 53 63 23 31 MTY (81) 83 54 10 18  
 QRO (442) 1 95 72 60 ventas@industrialmagza.com

# Apollo hoist with hand geared trolley



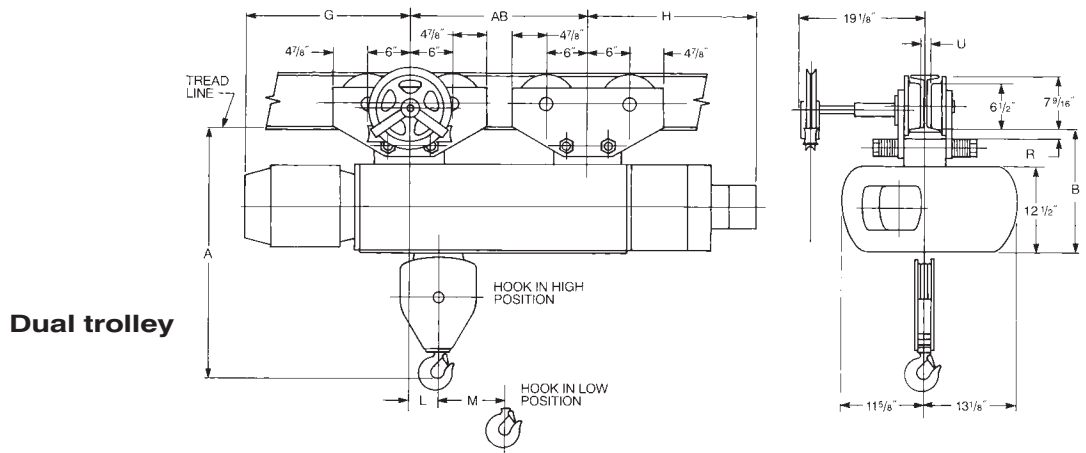
## Clearance dimensions (in.)

| Rated capacity* (tons) | A  | B                              | C                              | D                              | E                              | G                              | H                              | L                             | M                             | N                             | Q | R                               | S                              | T                             | U | W                              |
|------------------------|----|--------------------------------|--------------------------------|--------------------------------|--------------------------------|--------------------------------|--------------------------------|-------------------------------|-------------------------------|-------------------------------|---|---------------------------------|--------------------------------|-------------------------------|---|--------------------------------|
| 5                      | 38 | 17 <sup>7</sup> / <sub>8</sub> | 11 <sup>5</sup> / <sub>8</sub> | 13 <sup>1</sup> / <sub>8</sub> | 12 <sup>1</sup> / <sub>2</sub> | 22 <sup>3</sup> / <sub>4</sub> | 30 <sup>1</sup> / <sub>4</sub> | 3 <sup>3</sup> / <sub>4</sub> | 4 <sup>7</sup> / <sub>8</sub> | 4 <sup>7</sup> / <sub>8</sub> | 6 | 1 <sup>13</sup> / <sub>32</sub> | 7 <sup>9</sup> / <sub>16</sub> | 6 <sup>1</sup> / <sub>2</sub> | 1 | 19 <sup>1</sup> / <sub>8</sub> |
| 7.5                    | 38 | 17 <sup>7</sup> / <sub>8</sub> | 11 <sup>5</sup> / <sub>8</sub> | 13 <sup>1</sup> / <sub>8</sub> | 12 <sup>1</sup> / <sub>2</sub> | 25 <sup>5</sup> / <sub>8</sub> | 30 <sup>1</sup> / <sub>4</sub> | 3 <sup>1</sup> / <sub>4</sub> | 4 <sup>3</sup> / <sub>4</sub> | 4 <sup>7</sup> / <sub>8</sub> | 6 | 1 <sup>13</sup> / <sub>32</sub> | 7 <sup>9</sup> / <sub>16</sub> | 6 <sup>1</sup> / <sub>2</sub> | 1 | 19 <sup>1</sup> / <sub>8</sub> |

## Specifications

| Product code | Rated capacity* (tons) | Lift (ft.) | Speed (F.P.M.) | H.P. | Rope no. & dia. | Net weight (lbs.) |
|--------------|------------------------|------------|----------------|------|-----------------|-------------------|
| 6020G        | 5                      | 26         | 15             | 5    | 4 3/8           | 1085              |
| 6028G        | 7.5                    | 22         | 14             | 7.5  | 4 7/16          | 1135              |

Trolley flange size range width 4" min., 6<sup>1</sup>/<sub>4</sub>" max. standard



## Clearance dimensions (in.)

| Rated capacity* (tons) | A                              | B                              | G                              | H                              | L                             | M                             | R                               | U                               | AB                             |
|------------------------|--------------------------------|--------------------------------|--------------------------------|--------------------------------|-------------------------------|-------------------------------|---------------------------------|---------------------------------|--------------------------------|
| 5                      | 38                             | 17 <sup>7</sup> / <sub>8</sub> | 22 <sup>5</sup> / <sub>8</sub> | 24                             | 3 <sup>3</sup> / <sub>8</sub> | 8 <sup>3</sup> / <sub>4</sub> | 1 <sup>13</sup> / <sub>32</sub> | 1                               | 25 <sup>3</sup> / <sub>8</sub> |
| 10                     | 41 <sup>7</sup> / <sub>8</sub> | 20 <sup>1</sup> / <sub>4</sub> | 19 <sup>7</sup> / <sub>8</sub> | 23 <sup>5</sup> / <sub>8</sub> | 2 <sup>5</sup> / <sub>8</sub> | 5 <sup>3</sup> / <sub>4</sub> | 1 <sup>9</sup> / <sub>32</sub>  | 1 <sup>11</sup> / <sub>16</sub> | 27 <sup>5</sup> / <sub>8</sub> |

## Specifications

| Product code | Rated capacity* (tons) | Lift (ft.) | Speed (F.P.M.) | H.P. | Rope no. & dia. | Weight (lbs.) |
|--------------|------------------------|------------|----------------|------|-----------------|---------------|
| 6024G        | 5                      | 47         | 20             | 7.5  | 4 3/8           | 1650          |
| 6032G        | 10                     | 25         | 13             | 10   | 6 7/16          | 1750          |

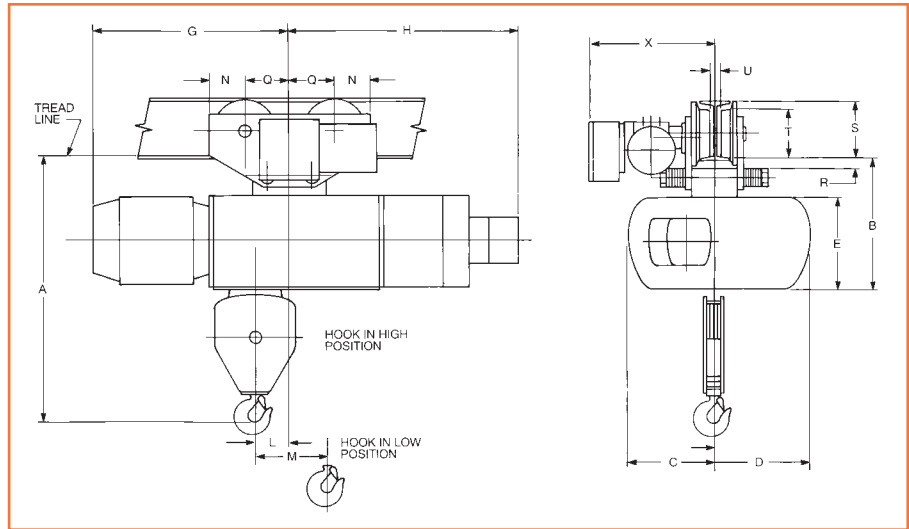
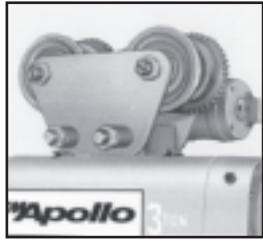
Trolley flange size range width 4" min., 6<sup>1</sup>/<sub>4</sub>" max. standard



**INDUSTRIAL MAGZA**  
DIST. AUTORIZADO

MEX (55) 53 63 23 31 MTY (81) 83 54 10 18  
QRO (442) 1 95 72 60 ventas@industrialmagza.com

# Apollo hoist with motor driven trolley



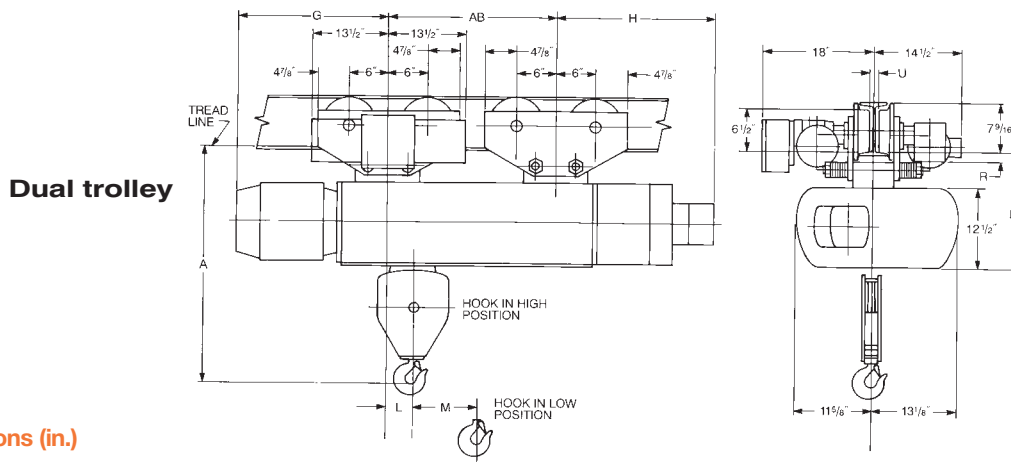
### Clearance dimensions (in.)

| Rated capacity* (tons) | A                              | B                              | C                              | D                              | E                              | G                              | H                              | L                             | M                             | N                             | Q | R                                | S                              | T                             | U | X  |
|------------------------|--------------------------------|--------------------------------|--------------------------------|--------------------------------|--------------------------------|--------------------------------|--------------------------------|-------------------------------|-------------------------------|-------------------------------|---|----------------------------------|--------------------------------|-------------------------------|---|----|
| 5                      | 37 <sup>7</sup> / <sub>8</sub> | 17 <sup>7</sup> / <sub>8</sub> | 11 <sup>5</sup> / <sub>8</sub> | 13 <sup>1</sup> / <sub>8</sub> | 12 <sup>1</sup> / <sub>2</sub> | 22 <sup>3</sup> / <sub>4</sub> | 30 <sup>1</sup> / <sub>4</sub> | 3 <sup>3</sup> / <sub>4</sub> | 4 <sup>7</sup> / <sub>8</sub> | 4 <sup>7</sup> / <sub>8</sub> | 6 | 11 <sup>13</sup> / <sub>32</sub> | 7 <sup>9</sup> / <sub>16</sub> | 6 <sup>1</sup> / <sub>2</sub> | 1 | 18 |
| 7.5                    | 38                             | 17 <sup>7</sup> / <sub>8</sub> | 11 <sup>5</sup> / <sub>8</sub> | 13 <sup>1</sup> / <sub>8</sub> | 12 <sup>1</sup> / <sub>2</sub> | 25 <sup>5</sup> / <sub>8</sub> | 30 <sup>1</sup> / <sub>4</sub> | 3 <sup>1</sup> / <sub>4</sub> | 4 <sup>3</sup> / <sub>4</sub> | 4 <sup>7</sup> / <sub>8</sub> | 6 | 11 <sup>13</sup> / <sub>32</sub> | 7 <sup>9</sup> / <sub>16</sub> | 6 <sup>1</sup> / <sub>2</sub> | 1 | 18 |

### Specifications

| Product code | Rated capacity* (tons) | HOIST      |                |      |                 | TROLLEY        |      | Weight (lbs.) |
|--------------|------------------------|------------|----------------|------|-----------------|----------------|------|---------------|
|              |                        | Lift (ft.) | Speed (F.P.M.) | H.P. | Rope no. & dia. | Speed (F.P.M.) | H.P. |               |
| 6020M        | 5                      | 26         | 15             | 5    | 4 3/8           | 50             | 1/2  | 1050          |
| 6028M        | 7.5                    | 22         | 14             | 7.5  | 4 7/16          | 50             | 1/2  | 1100          |

Trolley flange size range width 4" min., 6<sup>1</sup>/<sub>4</sub>" max. standard



### Clearance dimensions (in.)

| Rated capacity* (tons) | A                              | B                              | G                              | H                              | L                             | M                             | R                                | U                               | AB                             |
|------------------------|--------------------------------|--------------------------------|--------------------------------|--------------------------------|-------------------------------|-------------------------------|----------------------------------|---------------------------------|--------------------------------|
| 5                      | 38                             | 17 <sup>7</sup> / <sub>8</sub> | 22 <sup>5</sup> / <sub>8</sub> | 24                             | 3 <sup>3</sup> / <sub>8</sub> | 8 <sup>3</sup> / <sub>4</sub> | 11 <sup>13</sup> / <sub>32</sub> | 1                               | 25 <sup>3</sup> / <sub>8</sub> |
| 10                     | 41 <sup>7</sup> / <sub>8</sub> | 20 <sup>1</sup> / <sub>4</sub> | 19 <sup>7</sup> / <sub>8</sub> | 23 <sup>5</sup> / <sub>8</sub> | 2 <sup>5</sup> / <sub>8</sub> | 5 <sup>3</sup> / <sub>4</sub> | 1 <sup>9</sup> / <sub>32</sub>   | 1 <sup>11</sup> / <sub>16</sub> | 27 <sup>5</sup> / <sub>8</sub> |

### Specifications

| Product code | Rated capacity* (tons) | HOIST      |                |      |                 | TROLLEY        |         | Net weight (lbs.) |
|--------------|------------------------|------------|----------------|------|-----------------|----------------|---------|-------------------|
|              |                        | Lift (ft.) | Speed (F.P.M.) | H.P. | Rope no. & dia. | Speed (F.P.M.) | H.P.    |                   |
| 6024M        | 5                      | 47         | 20             | 7.5  | 4 3/8           | 50             | (2) 1/4 | 1685              |
| 6032M        | 10                     | 25         | 13             | 10   | 6 7/16          | 50             | (2) 1/4 | 1785              |

Trolley flange size range width 4" min., 6<sup>1</sup>/<sub>4</sub>" max. standard

# Lodestar Air XL Pneumatic Chain Hoist

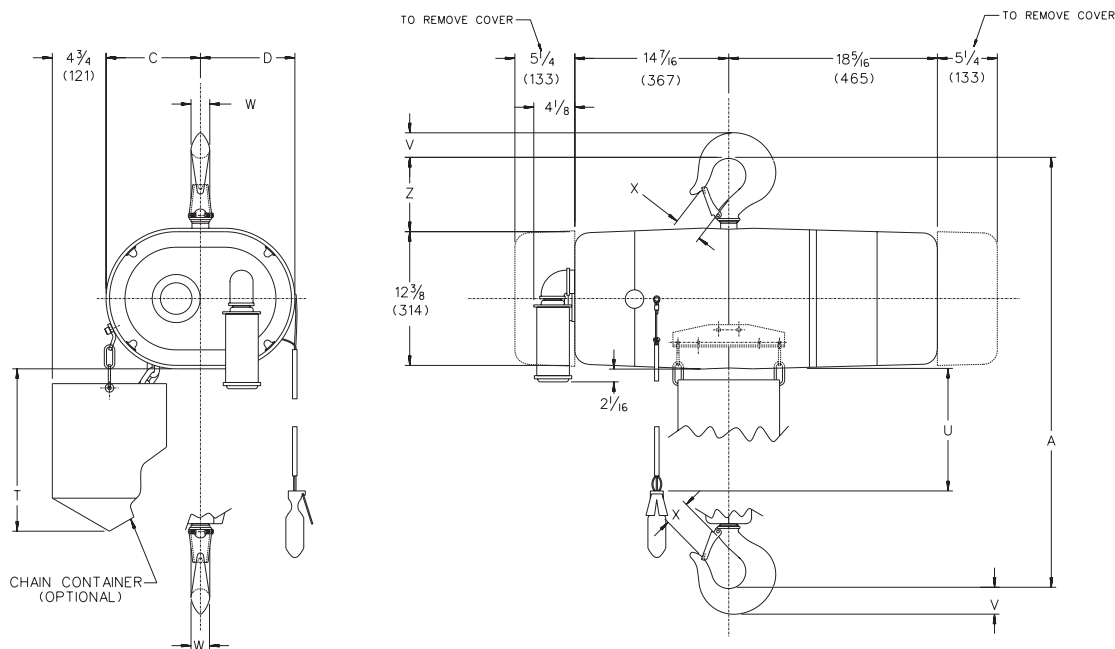


Columbus McKinnon introduces a new line of Lodestar Air XL chain hoists for lifting applications from 2 to 7<sup>1</sup>/<sub>2</sub> tons. The offering provides heavy-duty hoists featuring variable speeds and higher capacities than traditional air chain hoists. Workers in automotive plants, heavy equipment manufacturing, chemical plants, refineries, and related rugged work environments will experience the same dependability and versatility that they have relied on from CM products for many years.

## The features of the Lodestar Air XL Chain Hoist includes:

- Lifting capacities up to 7<sup>1</sup>/<sub>2</sub> tons
- Variable lifting speeds
- Maximum lifting speed of 31 feet per minute
- Forged ten-pocket oblique-lay liftwheel for smooth chain operation, constant chain speed, and reduced chain wear
- Standard overload protector
- Clutch acts as upper and lower limits
- Six-vane rotary air motor
- Pendant controls provide precise load spotting
- Air actuated motor brake for positive load control
- Factory tested at 125% of rated capacity
- Spark resistant models available
- Lifetime warranty
- Made in U.S.A.
- Standard Lift: 10 ft.
- Air inlet size: 1" NPT
- Air supply hose size: 1" I.D. min.
- Consumption: 175 CFM at 90 PSI
- Exhaust: 1 1/4" NPT

# Lodestar Air XL with Hook Suspension-Specifications



Clearance Dimensions (inches)\*\*

| Dimensions               | Single Reeved<br>2 ton capacity | Double Reeved<br>3-5 ton capacity | Triple Reeved<br>6 ton capacity |
|--------------------------|---------------------------------|-----------------------------------|---------------------------------|
| A                        | 25                              | 35 <sup>5</sup> / <sub>16</sub>   | 36 <sup>3</sup> / <sub>16</sub> |
| C                        | 8 <sup>7</sup> / <sub>16</sub>  | 11 <sup>3</sup> / <sub>8</sub>    | 11 <sup>3</sup> / <sub>8</sub>  |
| D                        | 8 <sup>1</sup> / <sub>8</sub>   | 5 <sup>1</sup> / <sub>2</sub>     | 5 <sup>1</sup> / <sub>2</sub>   |
| T (based on 10 ft. lift) | 14 <sup>3</sup> / <sub>16</sub> | 14 <sup>3</sup> / <sub>16</sub>   | 14 <sup>3</sup> / <sub>16</sub> |
| U (based on 10 ft. lift) | 6'- 3"                          | 6'- 3"                            | 6'- 3"                          |
| V                        | 1 <sup>1</sup> / <sub>2</sub>   | 2 <sup>1</sup> / <sub>4</sub>     | 2 <sup>1</sup> / <sub>4</sub>   |
| W                        | 1 <sup>1</sup> / <sub>8</sub>   | 1 <sup>5</sup> / <sub>8</sub>     | 1 <sup>5</sup> / <sub>8</sub>   |
| X                        | 1 <sup>5</sup> / <sub>16</sub>  | 2 <sup>1</sup> / <sub>16</sub>    | 2 <sup>1</sup> / <sub>16</sub>  |
| Z                        | 4 <sup>1</sup> / <sub>8</sub>   | 5 <sup>1</sup> / <sub>2</sub>     | 5 <sup>1</sup> / <sub>2</sub>   |
| Weight (lbs.)            | 347                             | 421                               | 453                             |
| Lifting Speed (FPM)      | 31                              | 21/13                             | 10                              |

\*\*Dimensions listed are for minimum size "S" beam.

### CM® Repair/Replacement Policy

All Hoists are thoroughly inspected and performance tested prior to shipment. If any properly maintained CM Hoist develops a performance problem due to a material or workmanship defect, as verified by Columbus McKinnon, repair or replacement of the hoist will be made to the original purchaser without charge. This repair/replacement policy applies only to Hoists installed, maintained and operated as outlined in the applicable accompanying CM Hoist Manual, and specifically excludes normal wear, abuse, improper installation, improper or inadequate maintenance, hostile environmental effects, and unauthorized repairs/modifications.

### ANSI/OSHA

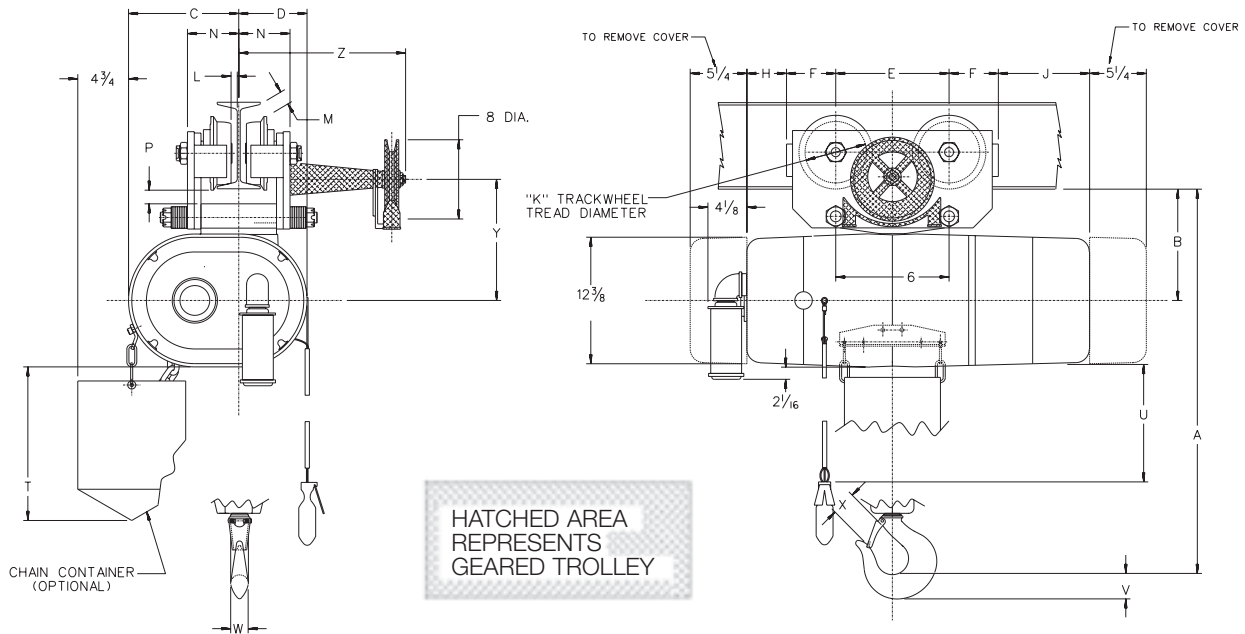
CM hoists are manufactured in accordance with our interpretation of the ASME/ANSI Code B30.16 for Overhead Hoists and U.S. Occupational Safety and Health Act regulations at the time of manufacture. Users should check each installation for compliance with the application, operation and maintenance requirements of these regulations and standards.



**INDUSTRIAL MAGZA®**  
DIST. AUTORIZADO

MEX (55) 53 63 23 31 MTY (81) 83 54 10 18  
QRO (442) 1 95 72 60 ventas@industrialmagza.com

# Lodestar Air XL with plain trolley and geared trolley-Specifications

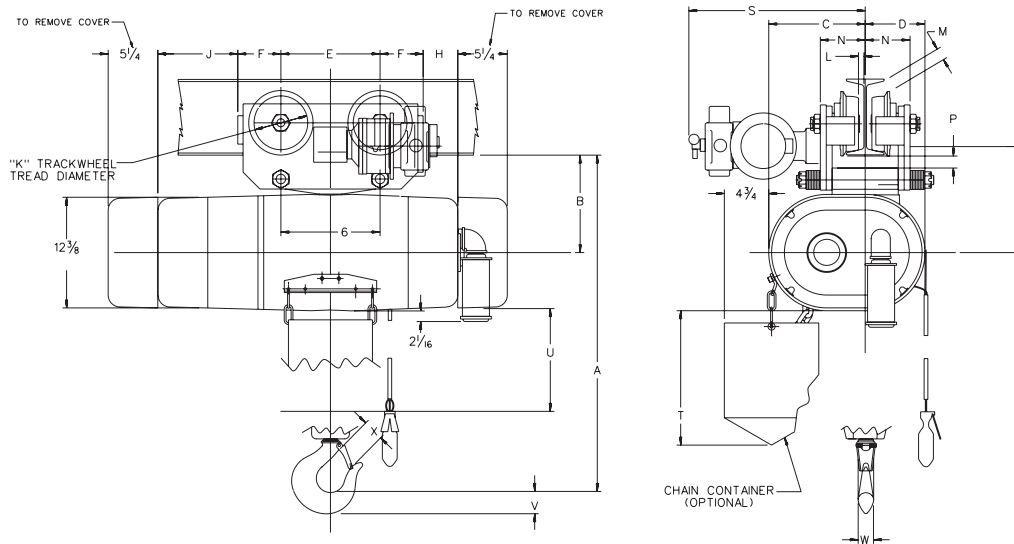


## Clearance Dimensions (inches)\*\*

| Dimensions                               | Single Reeved<br>2 ton capacity  | Double Reeved                   |                                  | Triple Reeved<br>6 & 7½ ton capacity |
|--|----------------------------------|---------------------------------|----------------------------------|--------------------------------------|
|  | 2 ton capacity                   | 3 ton capacity                  | 5 ton capacity                   | 6 & 7½ ton capacity                  |
| A  | 28 <sup>11</sup> / <sub>16</sub> | 33½                             | 33¾                              | 34 <sup>5</sup> / <sub>8</sub>       |
| B  | 9¾                               | 10 <sup>7</sup> / <sub>16</sub> | 10 <sup>11</sup> / <sub>16</sub> | 10 <sup>1</sup> / <sub>16</sub>      |
| C  | 8 <sup>7</sup> / <sub>16</sub>   | 11 <sup>3</sup> / <sub>8</sub>  | 11 <sup>3</sup> / <sub>8</sub>   | 11 <sup>3</sup> / <sub>8</sub>       |
| D  | 8 <sup>3</sup> / <sub>8</sub>    | 5½                              | 5½                               | 5½                                   |
| E  | 9½                               | 9 <sup>1</sup> / <sub>8</sub>   | 12                               | 12                                   |
| F  | 3½                               | 3¼                              | 4 <sup>13</sup> / <sub>16</sub>  | 4 <sup>13</sup> / <sub>16</sub>      |
| H  | 5¼                               | 5 <sup>11</sup> / <sub>16</sub> | 2 <sup>11</sup> / <sub>16</sub>  | 2 <sup>11</sup> / <sub>16</sub>      |
| J  | 10 <sup>1</sup> / <sub>16</sub>  | 10½                             | 7½                               | 7½                                   |
| K  | 4 <sup>11</sup> / <sub>16</sub>  | 4                               | 6½                               | 6½                                   |
| L  | ½                                | 5 <sup>5</sup> / <sub>8</sub>   | 5 <sup>5</sup> / <sub>8</sub>    | 5 <sup>5</sup> / <sub>8</sub>        |
| M  | ½                                | 2 <sup>11</sup> / <sub>16</sub> | 0                                | 0                                    |
| N  | 5                                | 3 <sup>5</sup> / <sub>8</sub>   | 3 <sup>7</sup> / <sub>8</sub>    | 3 <sup>7</sup> / <sub>8</sub>        |
| P  | 1¼                               | 3 <sup>3</sup> / <sub>8</sub>   | 7 <sup>1</sup> / <sub>16</sub>   | 7 <sup>1</sup> / <sub>16</sub>       |
| T (based on 10 ft. lift)                 | 14 <sup>3</sup> / <sub>16</sub>  | 14 <sup>3</sup> / <sub>16</sub> | 14 <sup>3</sup> / <sub>16</sub>  | 14 <sup>3</sup> / <sub>16</sub>      |
| U (based on 10 ft. lift)                 | 6'- 3"                           | 6'- 3"                          | 6'- 3"                           | 6'- 3"                               |
| V  | 1½                               | 2¼                              | 2¼                               | 2¼                                   |
| W  | 1 <sup>1</sup> / <sub>8</sub>    | 1 <sup>5</sup> / <sub>8</sub>   | 1 <sup>5</sup> / <sub>8</sub>    | 1 <sup>5</sup> / <sub>8</sub>        |
| X  | 1 <sup>5</sup> / <sub>16</sub>   | 2 <sup>1</sup> / <sub>16</sub>  | 2 <sup>1</sup> / <sub>16</sub>   | 2 <sup>1</sup> / <sub>16</sub>       |
| Y*                                       | 11 <sup>5</sup> / <sub>16</sub>  | 12 <sup>7</sup> / <sub>8</sub>  | 11 <sup>1</sup> / <sub>8</sub>   | 11 <sup>1</sup> / <sub>8</sub>       |
| Z*                                       | —                                | 19 <sup>1</sup> / <sub>8</sub>  | 19 <sup>1</sup> / <sub>8</sub>   | 19 <sup>1</sup> / <sub>8</sub>       |
| Weight (lbs.)-Plain Trolley              | 407                              | 476                             | 576                              | 608                                  |
| Weight (lbs.)-Geared Trolley             | 452                              | 491                             | 586                              | 618                                  |
| Minimum Radius Curve (ft.)               | 4                                | 4                               | 6                                | 6                                    |
| Standard Beam Flange<br>Adj. Range (in.) | 3.33-5.55                        | 4.00-6.25                       | 4.00-6.25                        | 4.00-6.25                            |
| Lifting Speed (FPM)                      | 31                               | 21                              | 13                               | 10/9                                 |

\*Standard Trolley Dimensions Only  
**INDUSTRIAL MAGAZA** MEX (55) 53 63 23 31 MTY (81) 83 54 10 18  
 \*\*Dimensions listed are for minimum span only. **VENTAS** QRO (442) 1-95 72 60 [ventas@industrialmagza.com](mailto:ventas@industrialmagza.com)  
**DIST. AUTORIZADO**

# Lodestar Air XL with Motor Driven Trolley-Specifications



## Clearance Dimensions (inches)\*\*

| Dimensions                            | Double Reeved  |                | Triple Reeved  |                        |
|---------------------------------------|----------------|----------------|----------------|------------------------|
|                                       | 2 ton capacity | 3 ton capacity | 5 ton capacity | 6 & 7 1/2 ton capacity |
| A                                     | 33 1/2         | 33 1/2         | 33 3/4         | 34 5/8                 |
| B                                     | 10 7/16        | 10 7/16        | 10 11/16       | 10 11/16               |
| C                                     | 9 5/16         | 11 3/8         | 11 3/8         | 11 3/8                 |
| D                                     | 7 9/16         | 5 1/2          | 5 1/2          | 5 1/2                  |
| E                                     | 9 1/8          | 9 1/8          | 12             | 12                     |
| F                                     | 3 1/4          | 3 1/4          | 4 13/16        | 4 13/16                |
| H                                     | 5 11/16        | 5 11/16        | 2 11/16        | 2 11/16                |
| J                                     | 10 1/2         | 10 1/2         | 7 1/2          | 7 1/2                  |
| K                                     | 4              | 4              | 6 1/2          | 6 1/2                  |
| L                                     | 5/8            | 5/8            | 5/8            | 5/8                    |
| M                                     | 2 11/16        | 2 11/16        | 0              | 0                      |
| N                                     | 3 5/8          | 3 5/8          | 3 7/8          | 3 7/8                  |
| P                                     | 3/8            | 3/8            | 7/16           | 7/16                   |
| S                                     | 15 15/16       | 15 15/16       | 17 3/4         | 17 3/4                 |
| T (based on 10 ft. lift)              | 14 3/16        | 14 3/16        | 14 3/16        | 14 3/16                |
| U (based on 10 ft. lift)              | 6'- 3"         | 6'- 3"         | 6'- 3"         | 6'- 3"                 |
| V                                     | 2 1/4          | 2 1/4          | 2 1/4          | 2 1/4                  |
| W                                     | 1 5/8          | 1 5/8          | 1 5/8          | 1 5/8                  |
| X                                     | 2 1/16         | 2 1/16         | 2 1/16         | 2 1/16                 |
| Minimum Radius Curve (ft.)            | 4              | 4              | 6              | 6                      |
| Weight (lbs.)                         | 505            | 569            | 611            | 643                    |
| Standard Beam Flange Adj. Range (in.) | 4.00-6.25      | 4.00-6.25      | 4.00-6.25      | 4.00-6.25              |
| Trolley Speed (ft./min)               |                |                |                |                        |
| Standard Single Speed                 | 50             | 50             | 50             | 50                     |
| Lifting Speeds                        | 31             | 21             | 13             | 10/9                   |

\*\*Dimensions listed are for minimum size "S" beam.

## WARNING

Failure to properly install, operate and maintain the Lodestar Air XL Hoist may result in injury and/or property damage.

### TO AVOID INJURY:

- Installation, maintenance and operation must be carried out as instructed in the manual provided with the Lodestar Air XL Hoist.
- Do not use the Lodestar Air XL Hoist for lifting people; special equipment is required for this purpose. Refer to ASME/ANSI A-17 Series and applicable state and local codes for specific requirements.



# ShopAir™ chain hoist

**Compact, powerful, and precise for assembly and manufacturing applications up to 1,000 pounds.**

The CM ShopAir combines superior lifting speeds, rugged design, and precise load spotting in a portable air chain hoist. As a workstation hoist or a production line hoist, the ShopAir is the ideal choice.

**CAPACITIES:** 250 to 1,000 Lbs.

**NORMAL OPERATING PRESSURE:** 90 PSI (6.2 bar)

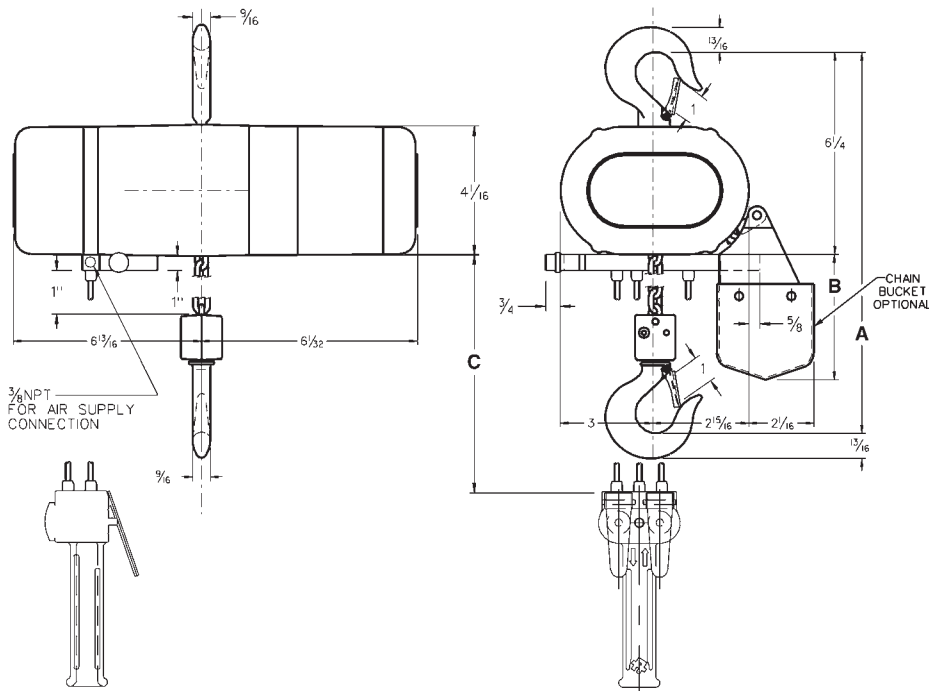
**AIR CONSUMPTION:** 34 cu.feet/min.

- Standard Protector™ overload device.
- 10-pocket, oblique lay liftwheel provides longer chain life.
- Epoxy powder coat finish provides a durable exterior.
- Durable reduction gearing means reliable operation
- Variable flow, two lever pendant for precise load spotting.
- Threaded external exhaust for piping away exhaust in clean room or painting applications.
- Small, compact design for commercial & industrial applications.
- Industrial duty air motor for tough applications.
- Gear train is lifetime - lubricated with non-oxidizing grease.
- Hardened forged steel, latch - type lower hook rotates 360°.
- Hardened forged steel, rigid latch - type upper hook.
- Rugged cast aluminum alloy hoist frame.
- Alloy load chain.
- Maximum pendant drop - 36 ft.
- Lifetime warranty against defects in materials and workmanship.
- Made in U.S.A.



300 Lb. model shown with optional chain container

# ShopAir™ chain hoist-Specifications



## Specifications

| Product code | Cap. (lbs.) | (in.)                            |                               |       | Number of load chains | Speed FPM (under full load) |          | Shipping weight (lbs.) |
|--------------|-------------|----------------------------------|-------------------------------|-------|-----------------------|-----------------------------|----------|------------------------|
|              |             | A                                | B                             | *C    |                       | lifting                     | lowering |                        |
| 2178         | 250         | 10 <sup>7</sup> / <sub>8</sub>   | 3 <sup>7</sup> / <sub>8</sub> | 6' 4" | 1                     | 31                          | 83       | 30                     |
| 2180         | 300         | 10 <sup>7</sup> / <sub>8</sub>   | 3 <sup>7</sup> / <sub>8</sub> | 6' 4" | 1                     | 31                          | 83       | 30                     |
| 2182         | 500         | 10 <sup>7</sup> / <sub>8</sub>   | 3 <sup>7</sup> / <sub>8</sub> | 6' 4" | 1                     | 21                          | 75       | 30                     |
| 2179         | 500         | 11 <sup>15</sup> / <sub>16</sub> | 5 <sup>3</sup> / <sub>4</sub> | 6' 4" | 2                     | 16                          | 42       | 34                     |
| 2181         | 600         | 11 <sup>15</sup> / <sub>16</sub> | 5 <sup>3</sup> / <sub>4</sub> | 6' 4" | 2                     | 16                          | 42       | 34                     |
| 2183         | 1,000       | 11 <sup>15</sup> / <sub>16</sub> | 5 <sup>3</sup> / <sub>4</sub> | 6' 4" | 2                     | 11                          | 38       | 34                     |

### \* WARNING

Overloading and improper use can result in injury.

#### To avoid injury:

- Do not exceed working load limit, load rating capacity
- Do not use to lift people or loads over people.
- Use only alloy chain for overhead lifting.

Read and follow all instructions

**INDUSTRIAL MAGZA**  
DIST. AUTORIZADO

MEX (55) 53 63 23 31  
QRO (442) 1 95 72 60

MTY (81) 83 54 10 18

ventas@industrialmagza.com

# AirStar chain hoist

Designed for general commercial applications where variable speed pneumatic power is preferable. Rated for 1/4, 1/2 and 1 ton capacities, this compact, lightweight hoist features:

- Hoist alloy load chain for heavy duty or stainless steel chain for spark resistant, medium duty loads
- Positive action, heavy-duty shoe type brake that holds the load
- Multi-vane rotary air motor for high torque, smooth operation
- Accurately machined heat treated alloy steel spur gears
- Spark resistant models available for hazardous environments
- Pull cord or pendant throttle control available
- Pull cord control hoists provide a lightweight, economical hoist for accurate control of loads
- Optional pendant throttle control hoists offer ergonomic, one-hand control for ease of operation
- Hook or lug suspension available
- Inlet air swivel with built-in strainer provides free hoist movement
- Aluminum frame and end cover contributes to the lightweight, easily portable, and rugged design
- External brake adjustment
- Limit stops prevent over-travel in upper and lowering directions
- Equa-torque gearing of alloy steel, heat treated spur gears are accurately machined to provide a close meshed, compact gear reduction
- Tapped exhaust port 1/2 NPTF... for cleanroom applications or to add a supplemental muffler in addition to the built-in muffler for even quieter operation
- Lifetime warranty
- Metric rated
- Made in U.S.A.



## Basic Hoist Data

**Rated Loads:** 1/4, 1/2 and 1 Ton  
(Spark resistant models are rated at 3/8 and 3/4 ton)

## Air Pressure

**Recommended:** 90 PSI

**Air Consumption:** 48 SCFM at 90 PSI

**Net Wt. (Basic Hoist):** 36 lbs.

**Suspension:** Hook or lug

**Control:** Pull Cord or Pendant Throttle

**Air Inlet:** 3/8 NPTF

**Air Supply Hose:** 1/2 I.D. min.

**Air Exhaust:** 1/2 NPTF

**Lift:** 10 foot lifts are standard. Longer lifts are an optional extra.

## Pendant

**Control:** 6 foot length is standard.

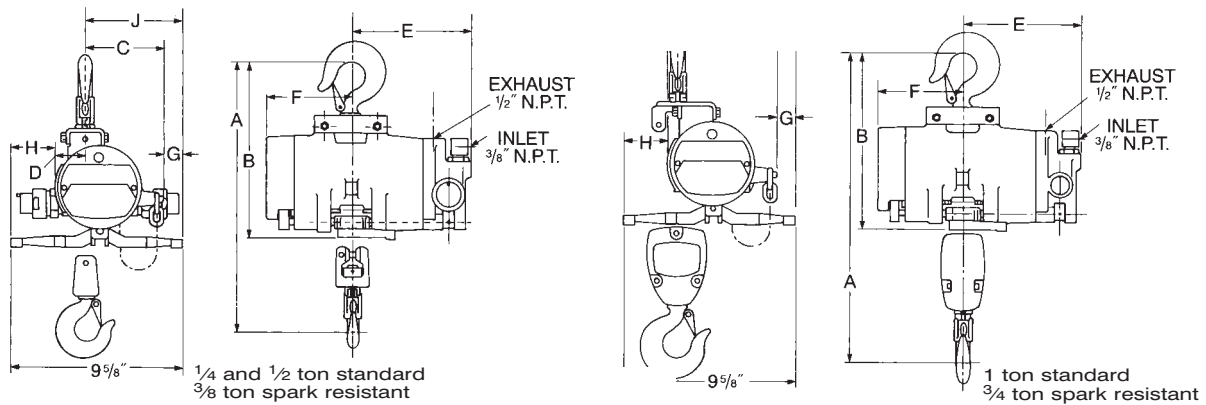
Longer lengths are an optional extra.

**Optional:** For greater corrosion resistance, a plated load chain is offered as an optional extra.



MEX (55) 53 63 23 31 MTY (81) 83 54 10 18  
QRO (442) 1 95 72 60 ventas@industrialmagza.com

# AirStar with hook suspension-Specifications



## Clearance dimensions (in.)

| Rated capacity* (tons) | Product code | A      | B      | C     | D     | E      | F      | G       | H      | J       |
|------------------------|--------------|--------|--------|-------|-------|--------|--------|---------|--------|---------|
| 1/4                    | 7400A        | 15 1/4 | 10 1/4 | 4 3/4 | 1 3/4 | 7 1/16 | 5 1/16 | 15 1/16 | 2 3/16 | 5 11/16 |
| 1/4                    | 7400B        | 15 1/4 | 10 1/4 | 4 3/4 | 1 3/4 | 7 1/16 | 5 1/16 | 15 1/16 | 2 3/16 | 5 11/16 |
| 1/4                    | 7400C        | 15 1/4 | 10 1/4 | 4 3/4 | 1 3/4 | 7 1/16 | 5 1/16 | 15 1/16 | 2 3/16 | 5 11/16 |
| 1/4                    | 7400D        | 15 1/4 | 10 1/4 | 4 3/4 | 1 3/4 | 7 1/16 | 5 1/16 | 15 1/16 | 2 3/16 | 5 11/16 |
| 1/2                    | 7401A        | 15 1/4 | 10 1/4 | 4 3/4 | 1 3/4 | 7 1/16 | 5 1/16 | 15 1/16 | 2 3/16 | 5 11/16 |
| 1/2                    | 7401B        | 15 1/4 | 10 1/4 | 4 3/4 | 1 3/4 | 7 1/16 | 5 1/16 | 15 1/16 | 2 3/16 | 5 11/16 |
| 1/2                    | 7401C        | 15 1/4 | 10 1/4 | 4 3/4 | 1 3/4 | 7 1/16 | 5 1/16 | 15 1/16 | 2 3/16 | 5 11/16 |
| 1/2                    | 7401D        | 15 1/4 | 10 1/4 | 4 3/4 | 1 3/4 | 7 1/16 | 5 1/16 | 15 1/16 | 2 3/16 | 5 11/16 |
| 3/8                    | 7403A        | 15 1/4 | 10 1/4 | 4 3/4 | 1 3/4 | 7 1/16 | 5 1/16 | 15 1/16 | 2 3/16 | 5 11/16 |
| 3/8                    | 7403B        | 15 1/4 | 10 1/4 | 4 3/4 | 1 3/4 | 7 1/16 | 5 1/16 | 15 1/16 | 2 3/16 | 5 11/16 |
| 1                      | 7402A        | 18     | 10 1/4 | 5 3/4 | 3/4   | 7 1/16 | 5 1/16 | 15 1/16 | 2 3/16 | 6 11/16 |
| 1                      | 7402B        | 18     | 10 1/4 | 5 3/4 | 3/4   | 7 1/16 | 5 1/16 | 15 1/16 | 2 3/16 | 6 11/16 |
| 1                      | 7402C        | 18     | 10 1/4 | 5 3/4 | 3/4   | 7 1/16 | 5 1/16 | 15 1/16 | 2 3/16 | 6 11/16 |
| 1                      | 7402D        | 18     | 10 1/4 | 5 3/4 | 3/4   | 7 1/16 | 5 1/16 | 15 1/16 | 2 3/16 | 6 11/16 |
| 3/4                    | 7404A        | 18     | 10 1/4 | 5 3/4 | 3/4   | 7 1/16 | 5 1/16 | 15 1/16 | 2 3/16 | 6 11/16 |
| 3/4                    | 7404B        | 18     | 10 1/4 | 5 3/4 | 3/4   | 7 1/16 | 5 1/16 | 15 1/16 | 2 3/16 | 6 11/16 |

## Specifications

| Type                          | Rated capacity* (tons) | Pull cord control |                | Pendant throttle control** |                | Reeving | Lifting speed max.† (F.P.M.) | Lowering speed max.† (F.P.M.) |
|-------------------------------|------------------------|-------------------|----------------|----------------------------|----------------|---------|------------------------------|-------------------------------|
|                               |                        | Product code no.  | Net wt. (lbs.) | Product code no.           | Net wt. (lbs.) |         |                              |                               |
| <b>Standard models</b>        |                        |                   |                |                            |                |         |                              |                               |
| Roller chain                  | 1/4                    | 7400A             | 37             | 7400B                      | 47             | 1       | 65                           | 95                            |
|                               | 1/2                    | 7401A             | 37             | 7401B                      | 47             | 1       | 45                           | 120                           |
|                               | 1                      | 7402A             | 51             | 7402B                      | 61             | 2       | 23                           | 60                            |
| Link chain                    | 1/4                    | 7400C             | 36             | 7400D                      | 46             | 1       | 65                           | 95                            |
|                               | 1/2                    | 7401C             | 36             | 7401D                      | 46             | 1       | 45                           | 120                           |
|                               | 1                      | 7402C             | 49             | 7402D                      | 59             | 2       | 23                           | 60                            |
| <b>Spark resistant models</b> |                        |                   |                |                            |                |         |                              |                               |
| Link chain                    | 3/8                    | 7403A             | 36             | 7403B                      | 46             | 1       | 60                           | 100                           |
|                               | 3/4                    | 7404A             | 49             | 7404B                      | 59             | 2       | 29                           | 52                            |

\*\*Equipped with 6 ft. pendant control.

† Speeds based on 90 PSI line pressure and with full rated hoist load.

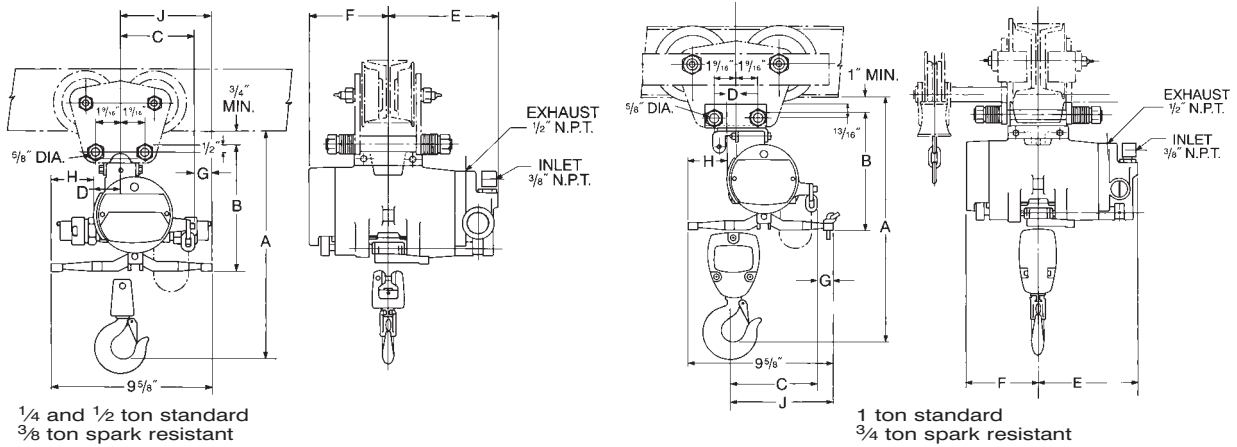
Hoist speeds are adjustable and can be reduced to 50% of full rated speed. Shipped from factory

with hoisting speed set at maximum and lowered to low wind speed setting. Reduced to 50% of full rated speed.

Standard lift 10 feet. Longer lifts available.

INDUSTRIAL MAGAZA MEX (55) 53 63 23 31 MTY (81) 83 54 10 18  
 DIST. AUTORIZADO QRO (442) 1 95 72 60 ventas@industrialmagza.com

# AirStar with lug suspension-Specifications



## Clearance dimensions (in.)

| Rated capacity* (tons) | Product code | A      | B     | C     | D     | E      | F      | G     | H      | J       |
|------------------------|--------------|--------|-------|-------|-------|--------|--------|-------|--------|---------|
| 1/4                    | 7400F        | 13 7/8 | 8 1/8 | 4 3/4 | 1 3/4 | 7 1/16 | 5 1/16 | 15/16 | 2 3/16 | 5 11/16 |
| 1/4                    | 7400G        | 13 7/8 | 8 1/8 | 4 3/4 | 1 3/4 | 7 1/16 | 5 1/16 | 15/16 | 2 3/16 | 5 11/16 |
| 1/2                    | 7401F        | 13 7/8 | 8 1/8 | 4 3/4 | 1 3/4 | 7 1/16 | 5 1/16 | 15/16 | 2 3/16 | 5 11/16 |
| 1/2                    | 7401G        | 13 7/8 | 8 1/8 | 4 3/4 | 1 3/4 | 7 1/16 | 5 1/16 | 15/16 | 2 3/16 | 5 11/16 |
| 3/8                    | 7403C        | 13 7/8 | 8 1/8 | 4 3/4 | 1 3/4 | 7 1/16 | 5 1/16 | 15/16 | 2 3/16 | 5 11/16 |
| 3/8                    | 7403D        | 13 7/8 | 8 1/8 | 4 3/4 | 1 3/4 | 7 1/16 | 5 1/16 | 15/16 | 2 3/16 | 5 11/16 |
| 1                      | 7402F        | 17     | 8 1/4 | 5 3/4 | 3/4   | 7 1/16 | 5 1/16 | 15/16 | 2 3/16 | 6 11/16 |
| 1                      | 7402G        | 17     | 8 1/4 | 5 3/4 | 3/4   | 7 1/16 | 5 1/16 | 15/16 | 2 3/16 | 6 11/16 |
| 3/4                    | 7404C        | 17     | 8 1/4 | 5 3/4 | 3/4   | 7 1/16 | 5 1/16 | 15/16 | 2 3/16 | 6 11/16 |
| 3/4                    | 7404D        | 17     | 8 1/4 | 5 3/4 | 3/4   | 7 1/16 | 5 1/16 | 15/16 | 2 3/16 | 6 11/16 |

## Specifications

| Type                          | Rated capacity* (tons) | Pull cord control |                | Pendant throttle control** |                | Reeving | Lifting speed max.† (F.P.M.) | Lowering speed max.† (F.P.M.) |
|-------------------------------|------------------------|-------------------|----------------|----------------------------|----------------|---------|------------------------------|-------------------------------|
|                               |                        | Product code no.  | Net wt. (lbs.) | Product code no.           | Net wt. (lbs.) |         |                              |                               |
| <b>Standard models</b>        |                        |                   |                |                            |                |         |                              |                               |
| Link chain                    | 1/4                    | 7400F             | 36             | 7400G                      | 46             | 1       | 65                           | 95                            |
|                               | 1/2                    | 7401F             | 36             | 7401G                      | 46             | 1       | 45                           | 120                           |
|                               | 1                      | 7402F             | 49             | 7402G                      | 59             | 2       | 23                           | 60                            |
| <b>Spark resistant models</b> |                        |                   |                |                            |                |         |                              |                               |
| Link chain                    | 3/8                    | 7403C             | 36             | 7403D                      | 46             | 1       | 60                           | 100                           |
|                               | 3/4                    | 7404C             | 49             | 7404D                      | 59             | 2       | 29                           | 52                            |

\*\*Equipped with 6 ft. pendant control.

† Speeds based on 90 PSI line pressure and with full rated hoist load.

Hoist speeds are adjustable and can be reduced to 50% of full rated speed. Shipped from factory with hoisting speed set at maximum rated speed; lowering speed set at reduced speed.

Standard lift 10 feet. Longer lifts available.

## Spark Resistant Models

Spark resistant models offer maximum protection in hazardous environments. Components for spark resistance include bronze alloy hooks, stainless steel hook latches, non-magnetic chrome-nickel stainless steel load chain, modified load sprocket, guide and stripper arrangement and lower blocks of stainless steel for the 3/8-ton single line model and anodized aluminum body on the 3/4-ton two part reeved model.

The spark resistant models have capacities derated. The stainless steel load chain is lower strength and not as hard as the standard alloy steel load chain, thereby requiring reduced capacity ratings on these models.

Warning: The equipment illustrated here is not designed or suitable as a power source for lifting or lowering persons. Exceeding rated capacity is dangerous and can result in injury to persons and damage property.



DIST. AUTORIZADO

MEX (55) 53 63 23 31 MTY (81) 83 54 10 18  
QRO (442) 1 95 72 60 ventas@industrialmagza.com

# AirStar 6 air hoist

Designed for general industrial applications where variable speed pneumatic power is preferable. Rated for loads of up to 3 tons. This compact, lightweight hoist features:

- Hoist alloy load chain for heavy duty or stainless steel chain for spark resistant, medium duty loads
- Lightweight aluminum frame and cover
- Positive action, spring biased Weston-type load brake holds the load, provides exacting load spotting and control
- Multi-vane rotary air motor with eight vanes for high torque, smooth operation, positive starting
- Precision cut heat treated helical and spur gear combination for quiet, efficient operation
- Pendant throttle handle is full flow design for precision throttle capabilities
- Spark resistant models available for hazardous environments
- Hook or lug suspension available
- Standard overload protector device
- Internal Muffler—reduces sound level
- Throttle Valve—precision throttle valves meter the air for smooth operation
- Chain container optional
- Lifetime warranty
- Metric rated
- Made in U.S.A.



## Basic Hoist Data

**Rated Loads:** 1, 2, and 3-ton (Spark resistant models are rated at 1/2, 1 and 2 ton)

## Air Pressure

**Recommended:** 90 PSI

**Air Consumption:** 70 SCFM (full load-full speed) slow speed model 80 SCFM (full load-full speed) fast speed model

**Pendant Control Hose:** 6 foot pendant hose standard for 10 foot lift hoist, longer hose assemblies up to 36 foot available.

**Lift:** 10 foot lifts are standard. Longer lifts are an optional extra.

**Net Wt. (Basic Hoist):** 100 pounds

**Suspension:** Hook or lug

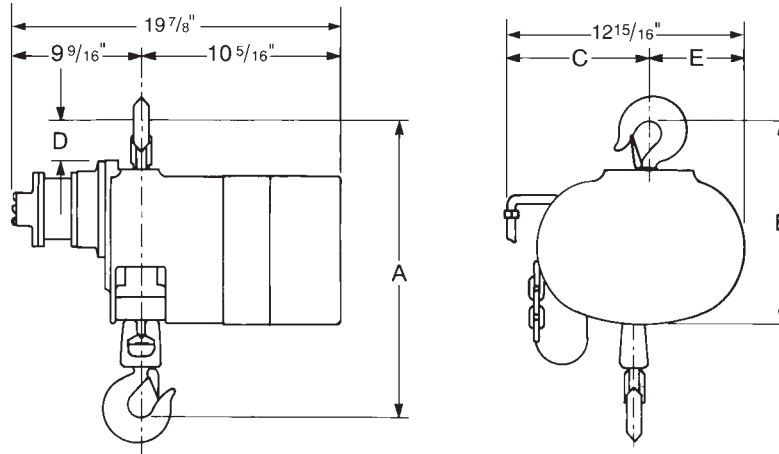
**Air Inlet Size:** 3/4 NPTF

**Air Supply Hose Size:** 3/4 I.D. min.



MEX (55) 53 63 23 31 MTY (81) 83 54 10 18  
QRO (442) 1 95 72 60 ventas@industrialmagza.com

# AirStar 6 with hook suspension-Specifications



## Clearance dimensions (in.)

| Rated capacity* (tons) | Product code | A      | B        | C       | D       | E      |
|------------------------|--------------|--------|----------|---------|---------|--------|
| 1/2                    | 7408A        | 16 3/4 | 11 1/16  | 6 3/4   | 2 11/16 | 6 3/16 |
| 1                      | 7405A        | 16 3/4 | 11 1/16  | 6 3/4   | 2 11/16 | 6 3/16 |
| 1                      | 7405B        | 16 3/4 | 11 1/16  | 6 3/4   | 2 11/16 | 6 3/16 |
| 1                      | 7409A        | 22 7/8 | 12 13/16 | 8 1/16  | 4 7/16  | 4 7/8  |
| 2                      | 7406A        | 22 7/8 | 12 13/16 | 8 1/16  | 4 7/16  | 4 7/8  |
| 2                      | 7406B        | 22 7/8 | 12 13/16 | 8 1/16  | 4 7/16  | 4 7/8  |
| 2                      | 7410A        | 25 7/8 | 14 3/8   | 5 13/16 | 5 5/8   | 7 1/8  |
| 3                      | 7407A        | 25 7/8 | 14 3/8   | 5 13/16 | 5 5/8   | 7 1/8  |
| 3                      | 7407B        | 25 7/8 | 14 3/8   | 5 13/16 | 5 5/8   | 7 1/8  |

## Specifications

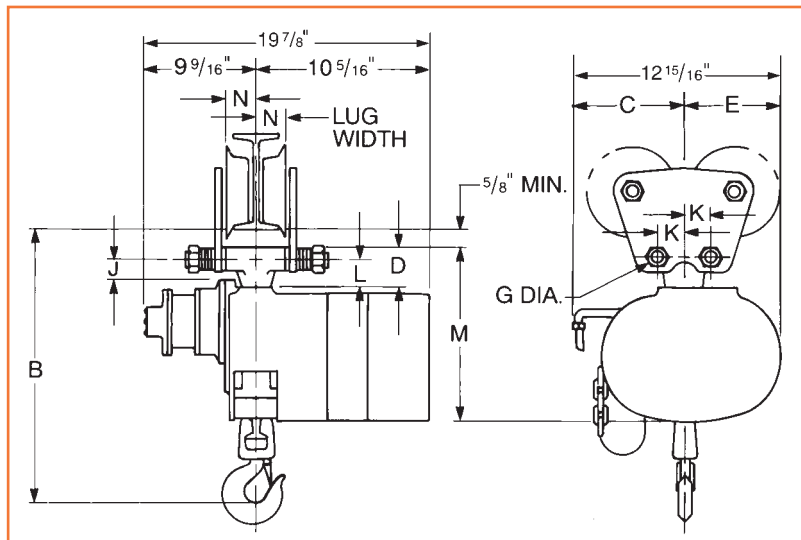
| Model                        | Rated capacity* (tons) | Product code | Reeving | Full load hoist speed** (F.P.M.) | Full load lowering speed** (F.P.M.) | Approximate net weight (lbs.) |
|------------------------------|------------------------|--------------|---------|----------------------------------|-------------------------------------|-------------------------------|
| <b>Standard model</b>        | 1                      | 7405A        | 1       | 13                               | 18                                  | 93                            |
|                              | 1                      | 7405B        | 1       | 30                               | 42                                  | 95                            |
|                              | 2                      | 7406A        | 2       | 6                                | 9                                   | 110                           |
|                              | 2                      | 7406B        | 2       | 15                               | 21                                  | 112                           |
|                              | 3                      | 7407A        | 3       | 4                                | 6                                   | 144                           |
|                              | 3                      | 7407B        | 3       | 10                               | 14                                  | 146                           |
| <b>Spark resistant model</b> | 1/2                    | 7408A        | 1       | 16                               | 22                                  | 95                            |
|                              | 1                      | 7409A        | 2       | 8                                | 11                                  | 112                           |
|                              | 2                      | 7410A        | 3       | 5                                | 7                                   | 146                           |

\*\*Hoist speeds based on 90 PSI line pressure with full load at full throttle.



MEX (55) 53 63 23 31 MTY (81) 83 54 10 18  
 QRO (442) 1 95 72 60 ventas@industrialmagza.com

# AirStar 6 with lug suspension



## Clearance dimensions (in.)

| Rated capacity* (tons) | Product code | B       | C       | D       | E      | J       | K      | L       | M        | N       | G     |
|------------------------|--------------|---------|---------|---------|--------|---------|--------|---------|----------|---------|-------|
| 1/2                    | 7408B        | 16 1/4  | 6 3/4   | 2       | 6 3/16 | 7/8     | 1 9/16 | 1 5/16  | 9 15/16  | 1 13/16 | 5/8   |
| 1                      | 7405C        | 16 1/16 | 6 3/4   | 2       | 6 3/16 | 7/8     | 1 9/16 | 1 5/16  | 9 15/16  | 1 13/16 | 5/8   |
| 1                      | 7405D        | 16 1/16 | 6 3/4   | 2       | 6 3/16 | 7/8     | 1 9/16 | 1 5/16  | 9 15/16  | 1 13/16 | 5/8   |
| 1                      | 7409B        | 21 3/8  | 8 1/16  | 2 13/16 | 4 7/8  | 1 1/2   | 2 1/2  | 1 15/16 | 10 11/16 | 2 3/16  | 1     |
| 2                      | 7406C        | 19 3/4  | 8 1/16  | 2 13/16 | 4 7/8  | 1 1/2   | 2 1/2  | 1 15/16 | 10 11/16 | 2 3/16  | 1     |
| 2                      | 7406D        | 19 3/4  | 8 1/16  | 2 13/16 | 4 7/8  | 1 1/2   | 2 1/2  | 1 15/16 | 10 11/16 | 2 3/16  | 1     |
| 2                      | 7410B        | 25      | 5 13/16 | 4 5/8   | 7 1/8  | 2 15/16 | 3      | 3 3/8   | 12 7/8   | 3       | 1 1/4 |
| 3                      | 7407C        | 23 3/4  | 5 13/16 | 4 5/8   | 7 1/8  | 2 15/16 | 3      | 3 3/8   | 12 7/8   | 3       | 1 1/4 |
| 3                      | 7407D        | 23 3/4  | 5 13/16 | 4 5/8   | 7 1/8  | 2 15/16 | 3      | 3 3/8   | 12 7/8   | 3       | 1 1/4 |

## Specifications

| Model                        | Rated capacity* (tons) | Product code | Reeving | Full load hoist speed** (F.P.M.) | Full load lowering speed** (F.P.M.) | Approx. net weight (lbs.) |
|------------------------------|------------------------|--------------|---------|----------------------------------|-------------------------------------|---------------------------|
| <b>Standard model</b>        | 1                      | 7405C        | 1       | 13                               | 18                                  | 106                       |
|                              | 1                      | 7405D        | 1       | 30                               | 42                                  | 108                       |
|                              | 2                      | 7406C        | 2       | 6                                | 9                                   | 116                       |
|                              | 2                      | 7406D        | 2       | 15                               | 21                                  | 118                       |
|                              | 3                      | 7407C        | 3       | 4                                | 6                                   | 164                       |
|                              | 3                      | 7407D        | 3       | 10                               | 14                                  | 166                       |
| <b>Spark resistant model</b> | 1/2                    | 7408B        | 1       | 16                               | 22                                  | 110                       |
|                              | 1                      | 7409B        | 2       | 8                                | 11                                  | 120                       |
|                              | 2                      | 7410B        | 3       | 5                                | 7                                   | 170                       |

\*\*Hoist speeds based on 90 PSI line pressure with full load at full throttle.



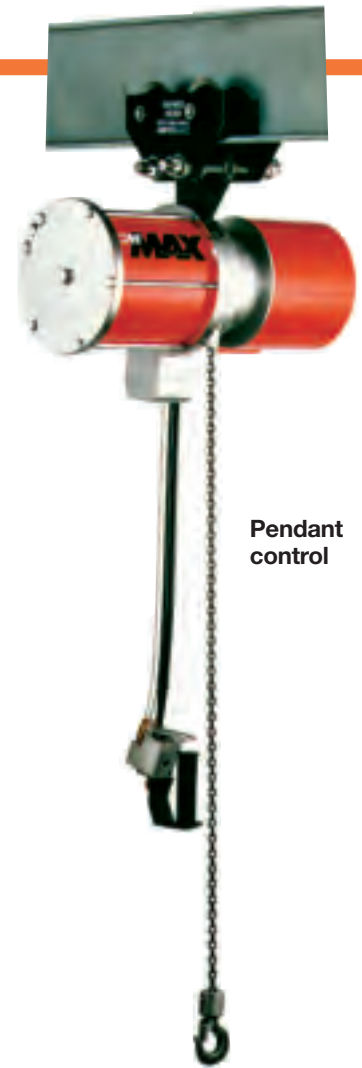
MEX (55) 53 63 23 31 MTY (81) 83 54 10 18  
 QRO (442) 1 95 72 60 ventas@industrialmagza.com



# Max air balancer

CM offers precise positioning or repetitive trans-ferring of loads as heavy as 600 pounds. With up to 8" of float, the operator can position the load easily and precisely by hand.

- Limitless start/stop cycles for reliable performance and productivity
- Exclusive lost load protection system
- Extra safety with exclusive lock out-tag out device that makes the balancer inoperable in the event of damage or required maintenance
- Unique pressure compensated flow control maintains lifting speed regardless of fluctuations in plant air pressure
- Chain lift eliminates spinning or fraying plus delivers long wear life
- 18 pocket liftwheel for smooth balancer operation
- True vertical chain travel (80" max.)
- Ergonomic pendant control station
- Forged steel latch type lower hook with bearing for free rotation
- Supplied complete with chain container for loose end chain
- Optional Series 0980 low headroom trolley to operate 2<sup>5</sup>/<sub>8</sub>" through 5<sup>5</sup>/<sub>8</sub>" flange beams
- Optional Latchlok hook
- Optional balance control for full 8 feet float capabilities
- Operates on 90 P.S.I. plant air, not 100 P.S.I. like comparable units
- Standard pendant drop 9'-6"
- Made in U.S.A.



## CM Max balancer specifications

| Product code | Rated capacity* (lbs.) | Control options | Working range (in.)** | Reach (in.)† | Net weight (lbs.)†† |
|--------------|------------------------|-----------------|-----------------------|--------------|---------------------|
| 0950         | 120                    | Pendant control | 80                    | 144          | 60                  |
| 0953         | 120                    | Balance control | 80                    | 144          | 60                  |
| 0951         | 200                    | Pendant control | 80                    | 144          | 68                  |
| 0954         | 200                    | Balance control | 80                    | 144          | 68                  |
| 0952         | 300                    | Pendant control | 80                    | 144          | 86                  |
| 0955         | 300                    | Balance control | 80                    | 144          | 86                  |
| 0943         | 500                    | Pendant control | 80                    | 144          | 98                  |
| 0947         | 120                    | Dual balance    | 80                    | 144          | 60                  |
| 0948         | 200                    | Dual balance    | 80                    | 144          | 68                  |
| 0949         | 300                    | Dual balance    | 80                    | 144          | 86                  |
| 0944         | 120                    | Pendant control | 130                   | 144          | 60                  |
| 0945         | 200                    | Pendant control | 130                   | 144          | 68                  |
| 0946         | 300                    | Pendant control | 130                   | 144          | 86                  |

\*\* Working range: Vertical lift from the hook in the lowest position to the hook in the highest position.

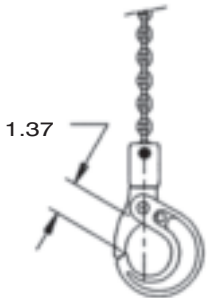
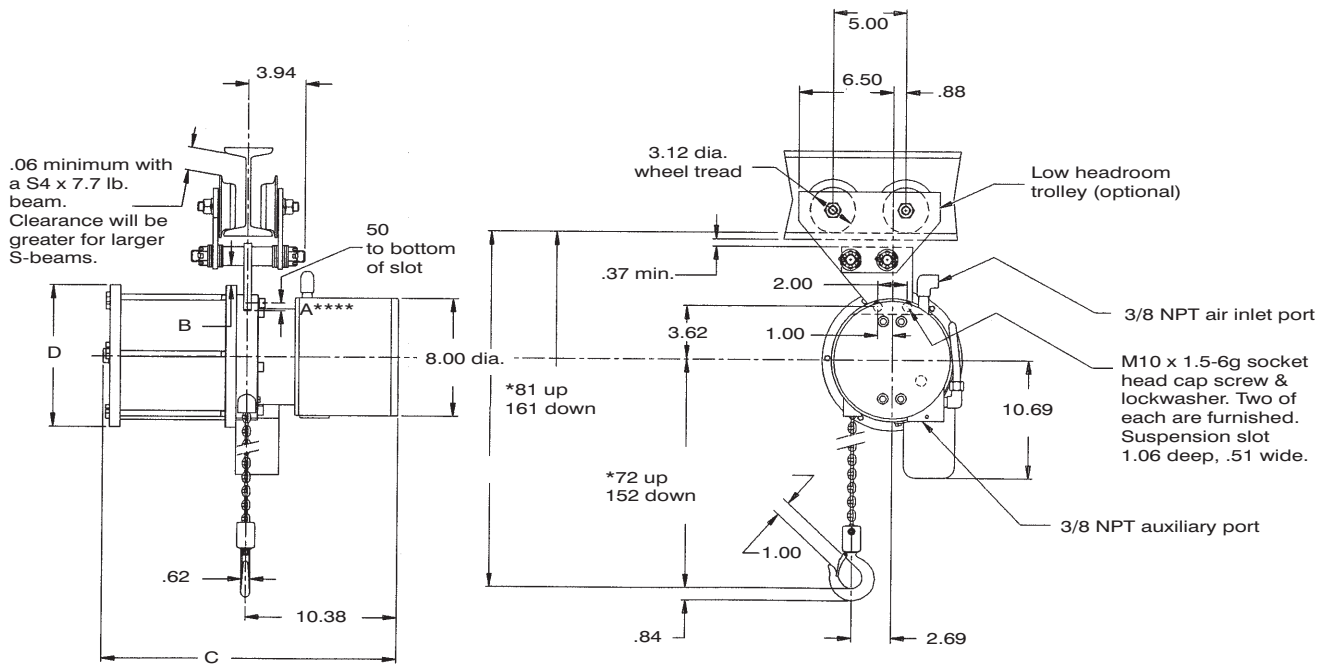
† Reach: Vertical distance from the bottom of the balancer to the hook in the lowest position. Actual reach may be adjusted at installation and under no circumstances should it be less than 84 inches.

†† Weights listed are for units with pendant controls and do not include the low headroom trolley or suspension plate. For units with balance control, reduce the listed weights by 4 lbs.



MEX (55) 53 63 23 31 MTY (81) 83 54 10 18  
 QRO (442) 1 95 72 60 ventas@industrialmagza.com

# Max air balancer-Specifications



**Latchlok hook (optional)**

## Max clearance dimensions (in.)

| Rated capacity** (lbs.) | A**** headroom (in.) | B (in.) | C (in.) | D diameter (in.) |
|-------------------------|----------------------|---------|---------|------------------|
| 120                     | 18.85                | 2.00    | 20.33   | 7.75             |
| 200                     | 18.85                | 1.38    | 20.33   | 9.63             |
| 300                     | 18.85                | .38     | 20.45   | 11.63            |
| 500                     | 18.85                | .38     | 31.00   | 11.63            |
| 120 extended lift***    | 18.85                | 2.00    | 26.70   | 7.75             |
| 200 extended lift***    | 18.85                | 1.38    | 26.70   | 9.63             |
| 300 extended lift***    | 18.85                | .38     | 27.70   | 11.63            |

Note: Dimensions are in inches. Double reeved units available in all models except 500 lb. Double reeving does not change down dimension as supplied; it doubles the capacity of the unit, and decreases vertical travel by half.

\* Nominal dimension based on the standard length of chain supplied with the CM Max. The chain may be shortened by the customer.

\*\* 90 psi air input is required to operate at the rated capacity.

\*\*\* Extended lift provides 130" of lift.

\*\*\*\* Headroom with chain shortened to minimum allowed in up position and with optional low headroom trolley as shown. Headroom will be 2.5" longer with optional double reeve. To get the down dimension add 80" to the up dimension for the standard max and 130" for the extended lift (add half of this dimension for double reeved). Headroom may vary depending on mounting bracket and truck used.

**\* ⚠ WARNING**

**Overloading and improper use can result in injury.**

**To avoid injury:**

- Do not exceed working load limit, load rating capacity
- Do not use to lift people or loads over people.
- use only alloy chain for overhead lifting.
- Read and follow all instructions.

## Optional suspension and accessories specifications

| Product code | Description   | Rated capacity (lbs.) |
|--------------|---|-----------------------|
| 0957         | Single hook suspension  | 120 & 200             |
| 0958         | Double hook suspension  | 300 & 500             |
| 0968         | Double reeving  |                       |
| 0980         | Low headroom trolley (includes mounting adaptor)<br>Beam flange width: 2 <sup>5</sup> / <sub>8</sub> " - 5 <sup>5</sup> / <sub>8</sub> "<br>Minimum radius curve: 24" |                       |
| 0981         | Trolley mounting adaptor  |                       |
| 0982         | Unified suspension bracket  |                       |
| 0983         | Gorbel suspension bracket 250/500   |                       |
| 0984         | KBK I, II and 100 suspension bracket  |                       |
| 0923         | CM Light rail   |                       |
| 09820        | Chain bag   |                       |
| 1086         | Latchlok hook kit   |                       |

Mounting adaptors available for all types of rail systems.

CM Max optional low headroom trolley For operation on American standard S-beams

Will also operate on flat flanged beams

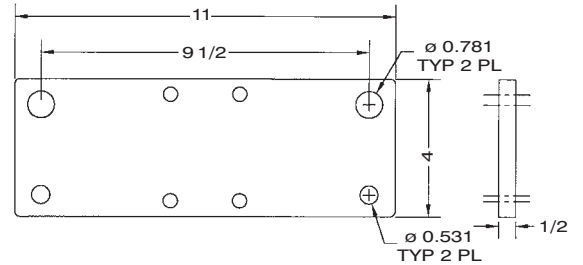
### \* **WARNING**

**Overloading and improper use can result in injury.**

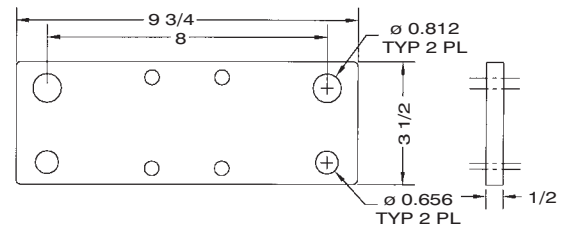
**To avoid injury:**

- Do not exceed working load limit, load rating capacity
- Do not use to lift people or loads over people.
- use only alloy chain for overhead lifting.
- Read and follow all instructions.

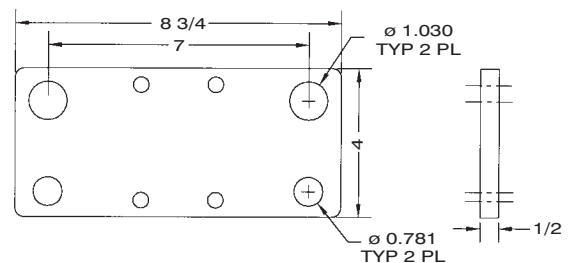
### Gorbel Trolley Truck CM #0983



### KBK Suspension Adapter CM #0984



### CM Suspension Adapter CM #0923



# TMM-140 Air Manipulator Hoist



## 300 Lb./140Kg Air Manipulator Hoist

The **CM TMM-140** is ideal for workstation applications. Lightweight and portable, the unit weighs less than 20 pounds and operates at 100% (A5) duty cycle.

- **Smooth operator** - Efficient rotary vane motor provides high uniform torque for quick response, and smooth, quiet operation.
- **Easy to use** - Handle-mounted pendant control for one-handed operation and load positioning.
- **Variable speeds** - Precise and infinite speed control for accurate load spotting.
- **Wire rope design** - Self-winding lifting cable stores conveniently inside unit.
- **Suspension** - Swivel top and bottom hooks with hook latches standard, for portability and quick installation.
- **Disc brake** - Secures load and eliminates drift when pendant is released.
- **Note** - A 3/8" NPT air filter-regulator-lubricator is needed for effective operation. Spark resistant features are not available.

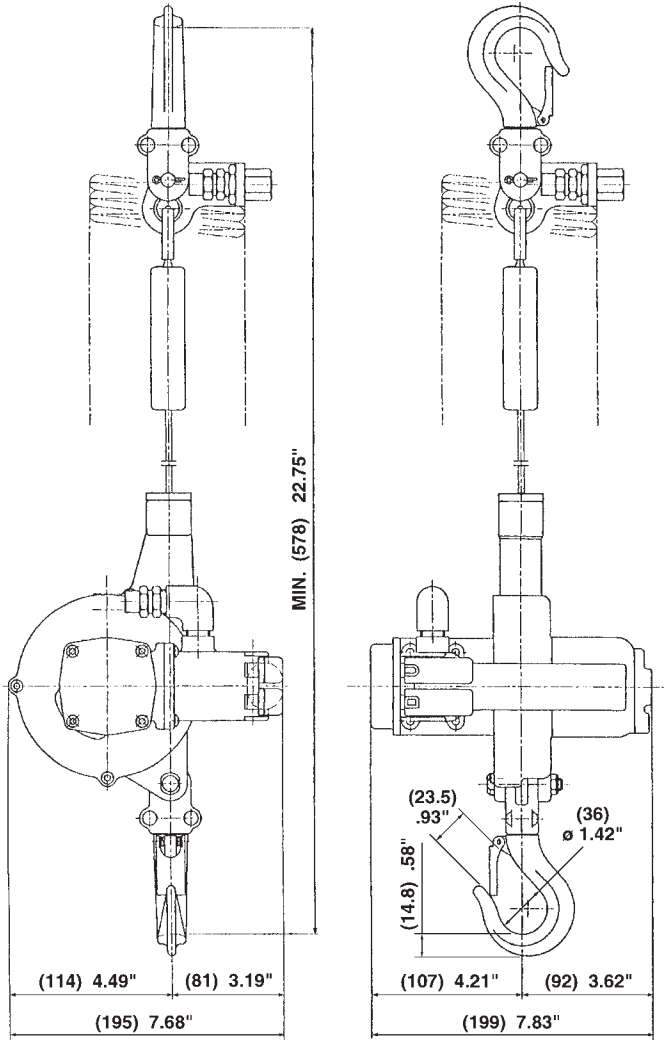
### Ideal Applications Include:

- Assembly lines
- Machine shops
- Cleaning and/or dipping operations
- Manufacturing plants
- Power generating stations
- Shipping departments
- Chemical facilities
- Fabricating shops
- Repetitive lifting applications
- Auto and truck repair
- Handling fixtures and dies



# TMM-140 Air Manipulator Hoist-Specifications

## MODEL TMM-140



**NOTE:** Dimensions in parenthesis are in millimeters, other dimensions in inches. Top and bottom hook dimensions are the same.

**\* ⚠ WARNING**

**Overloading and improper use can result in injury.**

**To avoid injury:**

- Do not exceed working load limit, load rating capacity
- Do not use to lift people or loads over people.
- use only alloy chain for overhead lifting.
- Read and follow all instructions.

### Specifications:

| Capacity (lb.) | Model number | Product code | Std. lift (ft.) | Lift speeds (FPM) |        |              |        | Air consumption       |                        | Headroom (in.) | Housing dimen. (in.) |    |     | Max air pres. (psi) | Net wt. (lb.) |
|----------------|--------------|--------------|-----------------|-------------------|--------|--------------|--------|-----------------------|------------------------|----------------|----------------------|----|-----|---------------------|---------------|
|                |              |              |                 | Load (up)         | (Down) | No load (up) | (Down) | (m <sup>3</sup> /min) | (ft <sup>3</sup> /min) |                | D                    | W  | L   |                     |               |
| 300            | TMM-140      | 17050W       | 6' 6"           | 36                | 59     | 49           | 39     | 0.6                   | 2½                     | 22¾            | 7⅔                   | 7⅞ | 23¾ | 70-95               | 18.7          |



MEX (55) 53 63 23 31    MTY (81) 83 54 10 18  
 QRO (442) 1 95 72 60    ventas@industrialmagza.com

# Hurricane 360°

## The New CM Hurricane unleashes a full circle of flexibility for lifting and pulling.

- **Standard Load Limiter** - For simple, automatic overload protection.
- **Improved Braking Power** - With its braking system, the CM Hurricane is exceptionally quiet, and improves operational safety and serviceability.
- **Powder Coated Finish** - For corrosion protection.
- **Heat Treated Steel Gearing** - All internal gears and pinions are heat treated steel for high strength and long life.
- **Chain Guide and Stripper** - Assures load chain alignment.
- **Precision 4-Pocket Liftwheel** - Fully machined for better chain fit and reduced wear allowing for accurate movement of the load chain.
- **Hardened Steel Chain** - Alloy steel load chain assures high strength and long wear life.
- **Minimal Maintenance** - Easily disassembled, requiring no special tools.
- **Meets ASME B30.16** - And European **CE** Standard
- **5-Year Warranty** - Against defects in materials and workmanship.



**Sealed Ball Bearings and Sliding Bushings**



**New Patented Brake System**



Standing away from load

Pulling application

Used inverted for easy rigging

### \* ⚠ **WARNING**

Overloading and improper use can result in injury.

**To avoid injury:**

- Do not exceed working load limit, load rating capacity
- Do not use to lift people or loads over people.
- use only alloy chain for overhead lifting.
- Read and follow all instructions.

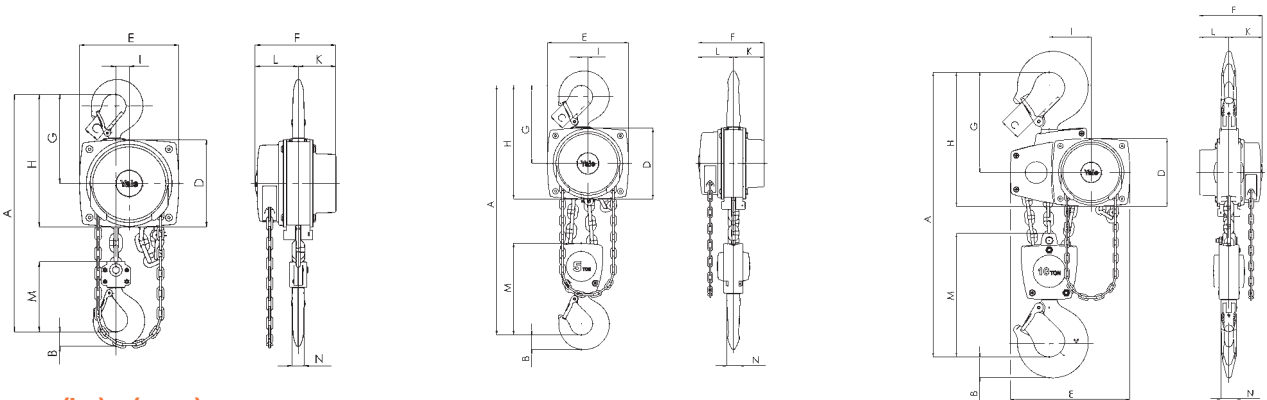


MEX (55) 53 63 23 31    MTY (81) 83 54 10 18  
 QRO (442) 1 95 72 60    ventas@industrialmagza.com

# Hurricane 360°

## CM Hurricane—Specifications

| Product code | Rated capacity |       | Standard lift |     | Hand chain pull to lift rated load |      | Hand chain overhaul to lift load 1ft. |      | Number of chain falls | Approximate shipping weight |      |
|--------------|----------------|-------|---------------|-----|------------------------------------|------|---------------------------------------|------|-----------------------|-----------------------------|------|
|              | (tons)         | (kg)  | (ft.)         | (m) | (lbs.)                             | (kg) | (ft.)                                 | (m)  |                       | (lbs.)                      | (kg) |
| 5623         | 1/2 ton        | 500   | 8ft.          | 2.4 | 44                                 | 20   | 30                                    | 9.1  | 1                     | 18.5                        | 9    |
| 5624         | 1/2 ton        | 500   | 12ft.         | 2.4 | 44                                 | 20   | 30                                    | 9.1  | 1                     | 23.0                        | 10   |
| 5625         | 1/2 ton        | 500   | 20ft.         | 6.0 | 44                                 | 20   | 30                                    | 9.1  | 1                     | 29.3                        | 11   |
| 5626         | 1 ton          | 1000  | 8ft.          | 2.4 | 54                                 | 24   | 49                                    | 14.9 | 1                     | 26.5                        | 13   |
| 5627         | 1 ton          | 1000  | 12ft.         | 2.4 | 54                                 | 24   | 49                                    | 14.9 | 1                     | 28.7                        | 14   |
| 5628         | 1 ton          | 1000  | 20ft.         | 6.0 | 54                                 | 24   | 49                                    | 14.9 | 1                     | 39.7                        | 16   |
| 5629         | 2 ton          | 2000  | 8ft.          | 2.4 | 74                                 | 34   | 71                                    | 21.6 | 1                     | 42.1                        | 20   |
| 5630         | 2 ton          | 2000  | 12ft.         | 3.6 | 74                                 | 34   | 71                                    | 21.6 | 1                     | 47.8                        | 22   |
| 5631         | 2 ton          | 2000  | 20ft.         | 6.0 | 74                                 | 34   | 71                                    | 21.6 | 1                     | 60.4                        | 25   |
| 5635         | 3 ton          | 3000  | 8ft.          | 2.4 | 92                                 | 42   | 87                                    | 26.0 | 1                     | 67.9                        | 28   |
| 5636         | 3 ton          | 3000  | 12ft.         | 3.6 | 92                                 | 42   | 87                                    | 26.0 | 1                     | 76.0                        | 31   |
| 5637         | 3 ton          | 3000  | 20ft.         | 6.0 | 92                                 | 42   | 87                                    | 26.0 | 1                     | 91.9                        | 36   |
| 5639         | 5 ton          | 5000  | 8ft.          | 2.4 | 76                                 | 34   | 174                                   | 53.0 | 2                     | 87.7                        | 38   |
| 5640         | 5 ton          | 5000  | 12ft.         | 3.6 | 76                                 | 34   | 174                                   | 53.0 | 2                     | 95.8                        | 43   |
| 5641         | 5 ton          | 5000  | 20ft.         | 6.0 | 76                                 | 34   | 174                                   | 53.0 | 2                     | 111.7                       | 54   |
| 5643         | 10 ton         | 10000 | 8ft.          | 2.4 | 102                                | 46   | 261                                   | 79.3 | 3                     | 148.5                       | 71   |
| 5644         | 10 ton         | 10000 | 12ft.         | 3.6 | 102                                | 46   | 261                                   | 79.3 | 3                     | 166.0                       | 79   |
| 5645         | 10 ton         | 10000 | 20ft.         | 6.0 | 102                                | 46   | 261                                   | 79.3 | 3                     | 202.7                       | 95   |



### Dimensions - (in.) (mm.)

|                    | A        |       | B       |       | C       |       | D       |       | E       |       | F       |       | G        |       | H       |       | I     |       | K     |       | L      |       | M        |       | N      |       |
|--------------------|----------|-------|---------|-------|---------|-------|---------|-------|---------|-------|---------|-------|----------|-------|---------|-------|-------|-------|-------|-------|--------|-------|----------|-------|--------|-------|
|                    | (in.)    | (mm.) | (in.)   | (mm.) | (in.)   | (mm.) | (in.)   | (mm.) | (in.)   | (mm.) | (in.)   | (mm.) | (in.)    | (mm.) | (in.)   | (mm.) | (in.) | (mm.) | (in.) | (mm.) | (in.)  | (mm.) | (in.)    | (mm.) | (in.)  | (mm.) |
| 1/2 Ton<br>500 kg  | 11 13/16 | 300.0 | 11/16   | 17.0  | 15/16   | 24.0  | 5 1/4   | 133.0 | 5 13/16 | 148.0 | 6 1/4   | 159.3 | 5 1/2    | 139.0 | 8 1/16  | 205.5 | 15/16 | 24.2  | 2 3/8 | 60.5  | 3 7/8  | 98.8  | 4 5/16   | 110.0 | 7/16   | 11.0  |
| 1 Ton<br>1000 kg   | 14       | 355.0 | 7/8     | 22.0  | 1 1/8   | 29.0  | 6 1/8   | 156.0 | 6 7/8   | 175.0 | 6 15/16 | 176.3 | 6 7/16   | 164.0 | 9 1/2   | 242.0 | 15/16 | 23.6  | 2 3/4 | 70.0  | 4 3/16 | 106.3 | 4 5/16   | 125.0 | 9/16   | 15.0  |
| 2 Ton<br>2000 kg   | 15 9/16  | 395.0 | 1 3/16  | 30.0  | 1 3/8   | 35.0  | 7 3/16  | 182.0 | 8       | 203.0 | 8       | 202.5 | 7 9/16   | 192.0 | 11 1/4  | 283.0 | 1 1/4 | 31.4  | 3 1/4 | 82.5  | 4 3/4  | 120.0 | 6 1/8    | 156.0 | 13/16  | 21.0  |
| 3 Ton<br>3000 kg   | 20 1/2   | 520.0 | 1 1/2   | 38.0  | 1 9/16  | 40.0  | 8 11/16 | 220.0 | 9 13/16 | 250.0 | 8 13/16 | 232.2 | 8 7/8    | 225.0 | 13 3/16 | 335.5 | 15/16 | 33.5  | 3 3/4 | 95.0  | 5 1/16 | 128.2 | 7        | 178.0 | 1      | 26.0  |
| 5 Ton<br>5000 kg   | 25 3/16  | 640.0 | 1 3/4   | 45.0  | 1 7/8   | 47.0  | 8 11/16 | 220.0 | 9 13/16 | 250.0 | 8 13/16 | 232.2 | 9 1/2    | 241.5 | 13 3/16 | 351.5 | 13/16 | 20.5  | 3 3/4 | 95.0  | 5 1/16 | 128.2 | 11 13/16 | 284.5 | 1 3/16 | 30.0  |
| 10 Ton<br>10000 kg | 32 1/2   | 825.0 | 2 11/16 | 67.5  | 2 11/16 | 68.0  | 8 11/16 | 220.0 | 9 13/16 | 250.0 | 8 13/16 | 232.2 | 12 13/16 | 325.5 | 17 1/8  | 435.5 | 5 3/8 | 136.0 | 3 3/4 | 95.0  | 5 1/16 | 128.2 | 15 13/16 | 401.0 | 1 9/16 | 40.0  |



MEX (55) 53 63 23 31 MTY (81) 83 54 10 18  
 QRO (442) 1 95 72 60 ventas@industrialmagza.com

# Cyclone hand chain hoist



One of the most popular and reliable hoists ever designed, the Cyclone combines superior engineering, efficiency and durability. Available in a variety of capacities from 1/4 ton to 10 tons, Cyclone features:

- Most interchangeability of parts in the industry
- Standard Load Limiter for simple, automatic overload protection
- Enclosed contoured Weston-type automatic brake for positive load control
- High-efficiency spur gearing for greater lift with minimum effort
- Rugged Hoistaloy chain for added strength and durability
- Fully machined, forged liftwheel pockets for easier lifting and smooth free chaining

## \* WARNING

Overloading and improper use can result in injury.

### To avoid injury:

- Do not exceed working load limit, load rating capacity
- Do not use to lift people or loads over people.
- use only alloy chain for overhead lifting.
- Read and follow all instructions.



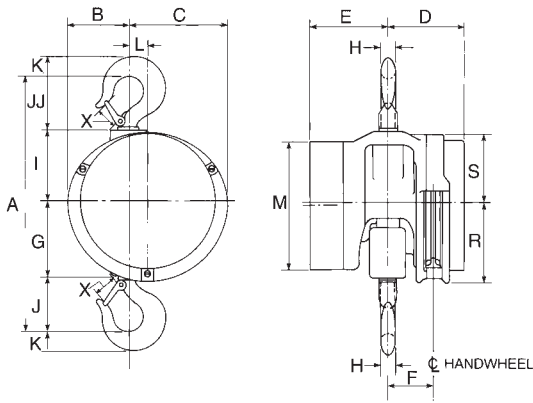
- 
- High-strength aluminum alloy castings in frame and covers
  - Inspected over 75 times to meet or exceed HMI and ASME/ANSI performance and safety standards
  - Standard hand chain drop is 2 feet less than lift, (example: 8 foot lift hoist has 6 foot hand chain drop)
  - Lifetime warranty
  - Metric rated
  - Made in U.S.A.
- 

**Options Include:**

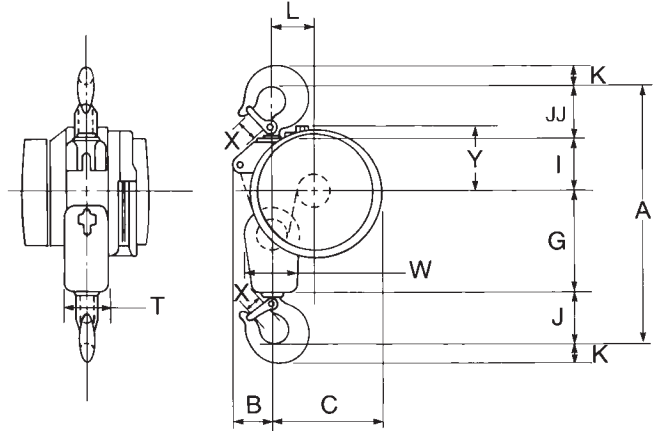
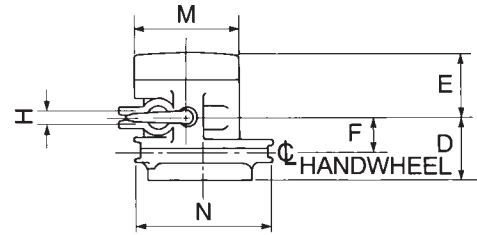
- Fabric chain bags
- Metal chain containers
- Zinc-plated load and hand chain
- Unwelded hand chain
- Latchlok hooks
- Bronze hooks
- Bullard hooks
- Eye-type suspension



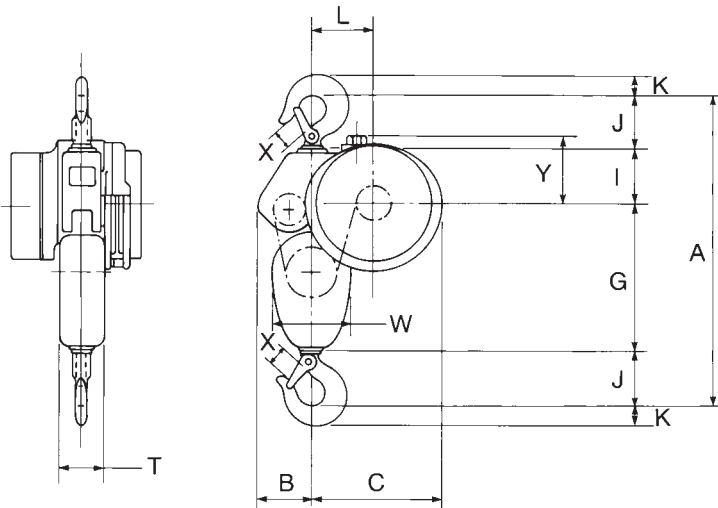
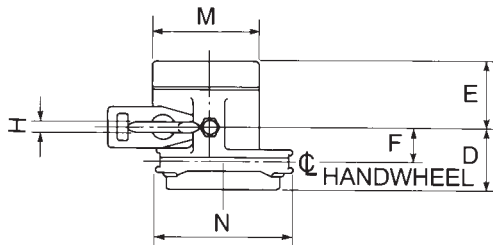
# Cyclone hand chain hoist-Specifications



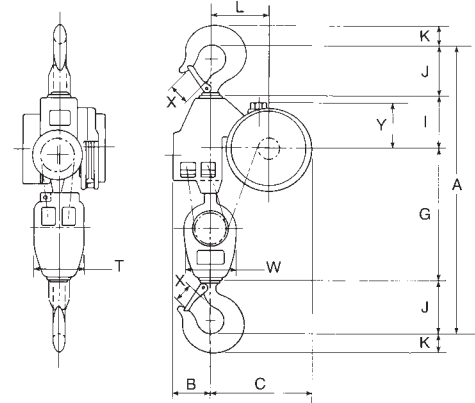
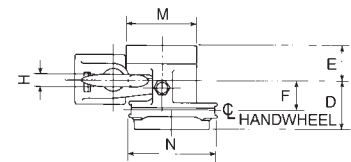
1/4 - 2 ton



3 - 4 ton



5 - 6 ton



8 - 10 ton

# Cyclone hand chain hoist-Specifications

## Specifications

| Rated capacity* (tons) | Product code | Standard lift† (ft.) | Reeving | Minimum distance between hooks (in.) | Chain overhauled to lift load one foot (ft.) | Chain pull to lift full load (lbs.) | Shipping weight (lbs.) |
|------------------------|--------------|----------------------|---------|--------------------------------------|--|-------------------------------------|------------------------|
| 1/4                    | 4621         | 8                    | 1       | 12 <sup>7</sup> / <sub>8</sub>       | 22 <sup>1</sup> / <sub>2</sub>               | 23                                  | 37                     |
| 1/2                    | 4622         | 8                    | 1       | 12 <sup>7</sup> / <sub>8</sub>       | 22 <sup>1</sup> / <sub>2</sub>               | 46                                  | 37                     |
| 1                      | 4624         | 8                    | 1       | 14                                   | 30   | 69                                  | 40                     |
| 1 1/2                  | 4625         | 8                    | 1       | 17 <sup>5</sup> / <sub>16</sub>      | 40 <sup>1</sup> / <sub>2</sub>               | 80                                  | 65                     |
| 2                      | 4626         | 8                    | 1       | 17 <sup>5</sup> / <sub>16</sub>      | 52   | 83                                  | 64                     |
| 3                      | 4627         | 8                    | 2       | 21 <sup>1</sup> / <sub>2</sub>       | 81   | 85                                  | 96                     |
| 4                      | 4628         | 8                    | 2       | 21 <sup>1</sup> / <sub>2</sub>       | 104  | 88                                  | 96                     |
| 5                      | 4629         | 8                    | 3       | 24 <sup>1</sup> / <sub>4</sub>       | 156  | 75                                  | 128                    |
| 6                      | 4630         | 8                    | 3       | 25 <sup>1</sup> / <sub>4</sub>       | 156  | 90                                  | 132                    |
| 8                      | 4631         | 8                    | 4       | 34 <sup>1</sup> / <sub>2</sub>       | 208  | 89                                  | 235                    |
| 10                     | 4632         | 8                    | 5       | 35 <sup>1</sup> / <sub>2</sub>       | 260  | 95                                  | 249                    |

† Can be supplied with longer lifts

## Clearance dimensions (in.)

| Dimension | Rated capacity* (tons)          |                                 |                                 |                                 |                                 |                                  |                                  |                                 |                                 |
|-----------|---------------------------------|---------------------------------|---------------------------------|---------------------------------|---------------------------------|----------------------------------|----------------------------------|---------------------------------|---------------------------------|
|           | 1/4                             | 1/2                             | 1                               | 1 1/2 & 2                       | 3 & 4                           | 5                                | 6                                | 8                               | 10                              |
| A         | 12 <sup>7</sup> / <sub>8</sub>  | 12 <sup>7</sup> / <sub>8</sub>  | 14                              | 17 <sup>5</sup> / <sub>16</sub> | 21 <sup>1</sup> / <sub>2</sub>  | 24 <sup>1</sup> / <sub>4</sub>   | 25 <sup>1</sup> / <sub>4</sub>   | 34 <sup>1</sup> / <sub>2</sub>  | 35 <sup>1</sup> / <sub>2</sub>  |
| B         | 3 <sup>11</sup> / <sub>16</sub> | 3 <sup>11</sup> / <sub>16</sub> | 3 <sup>11</sup> / <sub>16</sub> | 4 <sup>3</sup> / <sub>16</sub>  | 3 <sup>5</sup> / <sub>16</sub>  | 4 <sup>3</sup> / <sub>16</sub>   | 4 <sup>3</sup> / <sub>16</sub>   | 4 <sup>3</sup> / <sub>4</sub>   | 4 <sup>3</sup> / <sub>4</sub>   |
| C         | 7 <sup>3</sup> / <sub>16</sub>  | 7 <sup>3</sup> / <sub>16</sub>  | 7 <sup>3</sup> / <sub>16</sub>  | 6 <sup>11</sup> / <sub>16</sub> | 8 <sup>15</sup> / <sub>16</sub> | 10 <sup>5</sup> / <sub>16</sub>  | 10 <sup>5</sup> / <sub>16</sub>  | 12 <sup>3</sup> / <sub>4</sub>  | 12 <sup>3</sup> / <sub>4</sub>  |
| D         | 4 <sup>1</sup> / <sub>8</sub>   | 4 <sup>1</sup> / <sub>8</sub>   | 4 <sup>1</sup> / <sub>8</sub>   | 5 <sup>1</sup> / <sub>16</sub>  | 5 <sup>1</sup> / <sub>16</sub>  | 4 <sup>7</sup> / <sub>8</sub>    | 4 <sup>7</sup> / <sub>8</sub>    | 5 <sup>13</sup> / <sub>16</sub> | 5 <sup>13</sup> / <sub>16</sub> |
| E         | 3 <sup>1</sup> / <sub>4</sub>   | 3 <sup>1</sup> / <sub>4</sub>   | 3 <sup>1</sup> / <sub>4</sub>   | 4 <sup>13</sup> / <sub>16</sub> | 4 <sup>13</sup> / <sub>16</sub> | 5                                | 5                                | 4 <sup>1</sup> / <sub>16</sub>  | 4 <sup>1</sup> / <sub>16</sub>  |
| F         | 2 <sup>1</sup> / <sub>16</sub>  | 2 <sup>1</sup> / <sub>16</sub>  | 2 <sup>1</sup> / <sub>16</sub>  | 3 <sup>1</sup> / <sub>8</sub>   | 3                               | 2 <sup>15</sup> / <sub>16</sub>  | 2 <sup>15</sup> / <sub>16</sub>  | 3 <sup>3</sup> / <sub>4</sub>   | 3 <sup>3</sup> / <sub>4</sub>   |
| G         | 3 <sup>7</sup> / <sub>8</sub>   | 3 <sup>7</sup> / <sub>8</sub>   | 3 <sup>3</sup> / <sub>4</sub>   | 5 <sup>3</sup> / <sub>16</sub>  | 8 <sup>1</sup> / <sub>4</sub>   | 11 <sup>13</sup> / <sub>16</sub> | 11 <sup>13</sup> / <sub>16</sub> | 17 <sup>3</sup> / <sub>16</sub> | 17 <sup>3</sup> / <sub>16</sub> |
| H         | 1 <sup>1</sup> / <sub>16</sub>  | 1 <sup>1</sup> / <sub>16</sub>  | 1 <sup>3</sup> / <sub>16</sub>  | 1 <sup>1</sup> / <sub>8</sub>   | 1 <sup>1</sup> / <sub>4</sub>   | 1 <sup>1</sup> / <sub>4</sub>    | 1 <sup>3</sup> / <sub>8</sub>    | 1 <sup>11</sup> / <sub>16</sub> | 1 <sup>13</sup> / <sub>16</sub> |
| I         | 3 <sup>3</sup> / <sub>4</sub>   | 3 <sup>3</sup> / <sub>4</sub>   | 3 <sup>3</sup> / <sub>4</sub>   | 4 <sup>13</sup> / <sub>16</sub> | 4 <sup>1</sup> / <sub>4</sub>   | 4 <sup>3</sup> / <sub>16</sub>   | 4 <sup>3</sup> / <sub>16</sub>   | 6 <sup>1</sup> / <sub>16</sub>  | 6 <sup>1</sup> / <sub>16</sub>  |
| J         | 2 <sup>5</sup> / <sub>8</sub>   | 2 <sup>5</sup> / <sub>8</sub>   | 2 <sup>15</sup> / <sub>16</sub> | 3 <sup>5</sup> / <sub>8</sub>   | 4 <sup>1</sup> / <sub>8</sub>   | 4 <sup>1</sup> / <sub>8</sub>    | 4 <sup>5</sup> / <sub>8</sub>    | 5 <sup>5</sup> / <sub>8</sub>   | 6 <sup>1</sup> / <sub>8</sub>   |
| JJ        | 2 <sup>5</sup> / <sub>8</sub>   | 2 <sup>5</sup> / <sub>8</sub>   | 3 <sup>9</sup> / <sub>16</sub>  | 3 <sup>11</sup> / <sub>16</sub> | 4 <sup>7</sup> / <sub>8</sub>   | —                                | —                                | —                               | —                               |
| K         | 1 <sup>5</sup> / <sub>16</sub>  | 1 <sup>5</sup> / <sub>16</sub>  | 1 <sup>1</sup> / <sub>8</sub>   | 1 <sup>1</sup> / <sub>2</sub>   | 1 <sup>11</sup> / <sub>16</sub> | 1 <sup>11</sup> / <sub>16</sub>  | 1 <sup>7</sup> / <sub>8</sub>    | 2 <sup>1</sup> / <sub>4</sub>   | 2 <sup>9</sup> / <sub>16</sub>  |
| L         | 1 <sup>3</sup> / <sub>4</sub>   | 1 <sup>3</sup> / <sub>4</sub>   | 1 <sup>3</sup> / <sub>4</sub>   | 1 <sup>1</sup> / <sub>4</sub>   | 3 <sup>1</sup> / <sub>2</sub>   | 4 <sup>7</sup> / <sub>8</sub>    | 4 <sup>7</sup> / <sub>8</sub>    | 7 <sup>5</sup> / <sub>16</sub>  | 7 <sup>5</sup> / <sub>16</sub>  |
| M         | 7 <sup>1</sup> / <sub>16</sub>  | 7 <sup>1</sup> / <sub>16</sub>  | 7 <sup>1</sup> / <sub>16</sub>  | 8 <sup>5</sup> / <sub>8</sub>   | 8 <sup>5</sup> / <sub>8</sub>   | 8 <sup>5</sup> / <sub>8</sub>    | 8 <sup>5</sup> / <sub>8</sub>    | 8 <sup>5</sup> / <sub>8</sub>   | 8 <sup>5</sup> / <sub>8</sub>   |
| N         | —                               | —                               | —                               | —                               | 10 <sup>7</sup> / <sub>8</sub>  | 10 <sup>7</sup> / <sub>8</sub>   | 10 <sup>7</sup> / <sub>8</sub>   | 10 <sup>7</sup> / <sub>8</sub>  | 10 <sup>7</sup> / <sub>8</sub>  |
| R         | 5 <sup>7</sup> / <sub>16</sub>  | 5 <sup>7</sup> / <sub>16</sub>  | 5 <sup>7</sup> / <sub>16</sub>  | 5 <sup>7</sup> / <sub>16</sub>  | —                               | —                                | —                                | —                               | —                               |
| S         | 4 <sup>11</sup> / <sub>16</sub> | 4 <sup>11</sup> / <sub>16</sub> | 4 <sup>11</sup> / <sub>16</sub> | 4 <sup>11</sup> / <sub>16</sub> | —                               | —                                | —                                | —                               | —                               |
| T         | —                               | —                               | —                               | —                               | 3 <sup>7</sup> / <sub>8</sub>   | 4                                | 4                                | 6 <sup>3</sup> / <sub>8</sub>   | 6 <sup>3</sup> / <sub>8</sub>   |
| W         | —                               | —                               | —                               | —                               | 4 <sup>1</sup> / <sub>2</sub>   | 6 <sup>1</sup> / <sub>4</sub>    | 6 <sup>1</sup> / <sub>4</sub>    | 6 <sup>7</sup> / <sub>16</sub>  | 6 <sup>7</sup> / <sub>16</sub>  |
| X         | 1 <sup>1</sup> / <sub>32</sub>  | 1 <sup>1</sup> / <sub>32</sub>  | 1 <sup>1</sup> / <sub>8</sub>   | 1 <sup>5</sup> / <sub>16</sub>  | 1 <sup>5</sup> / <sub>8</sub>   | 1 <sup>5</sup> / <sub>8</sub>    | 1 <sup>3</sup> / <sub>4</sub>    | 2 <sup>1</sup> / <sub>16</sub>  | 2 <sup>5</sup> / <sub>16</sub>  |
| Y         | —                               | —                               | —                               | —                               | 5 <sup>1</sup> / <sub>8</sub>   | 5 <sup>7</sup> / <sub>8</sub>    | 5 <sup>7</sup> / <sub>8</sub>    | 5 <sup>9</sup> / <sub>16</sub>  | 5 <sup>9</sup> / <sub>16</sub>  |

**\* ⚠ WARNING**

**Overloading and improper use can result in injury.**

**To avoid injury:**

- Do not exceed working load limit, load rating capacity
- Do not use to lift people or loads over people.
- Use only alloy chain for overhead lifting.
- Read and follow all instructions.



MEX (55) 53 63 23 31 MTY (81) 83 54 10 18  
 QRO (442) 1 95 72 60 ventas@industrialmagza.com

# Cyclone Army type trolley hoist



Same quality and performance as the Cyclone in a compact, low headroom integral trolley mount. Ideal for applications requiring a moveable hoist including:

- Rugged steel loadbars connected directly to hoist frame
- Reduced headroom, side clearances and end approach for easy maneuvering of heavy loads in tight places
- Standard Load Limiter automatic overload protection
- Plain and geared trolley mounts in capacities from 1/4 to 12 tons
- Universal tread trolley wheels for operation on sloped or flat flanged beams
- Standard hand chain drop 2 feet less than lift (example: 8 foot lift hoist has 6 foot hand chain drop)
- Chain containers, zinc-plated load and hand chain, aluminum unwelded hand chain, Latchlok hooks, bronze hooks, bullard hooks, larger beam trolleys, trolley guards, and units without Load Limiter optional, depending on capacity
- Lifetime warranty
- Metric rated
- Made in U.S.A.

## \* WARNING

Overloading and improper use can result in injury.

### To avoid injury:

- Do not exceed working load limit, load rating capacity
- Do not use to lift people or loads over people.
- use only alloy chain for overhead lifting.
- Read and follow all instructions.

## Specifications

| Rated capacity* (tons) | Product code  |                | Standard lift (ft.) | Reeving | American standard depth (in.)† | Beam adjustment ranges flange width (in.)† | Chain pull to lift capacity loads (lbs.) | Chain overhauled to lift load one foot (ft.) | Min. headroom (in.) | Min. radius curve (in.) | Shipping weight (lbs.) |                |
|------------------------|---------------|----------------|---------------------|---------|--------------------------------|--|--|--|---------------------|-------------------------|------------------------|----------------|
|                        | Plain trolley | Geared trolley |                     |         |                                |  |  |  |                     |                         | Plain trolley          | Geared trolley |
| 1/4                    | 4521          | 4541           | 8                   | 1       | 4-12**                         | 2 5/8-5 1/2                                | 23                                       | 22 1/2                                       | 11 3/4              | 30                      | 66                     | 108            |
| 1/2                    | 4522          | 4542           | 8                   | 1       | 4-12**                         | 2 5/8-5 1/2                                | 46                                       | 22 1/2                                       | 11 3/4              | 30                      | 66                     | 108            |
| 1                      | 4524          | 4544           | 8                   | 1       | 4-12**                         | 2 5/8-5 1/2                                | 69                                       | 30   | 11 3/4              | 30                      | 78                     | 130            |
| 1 1/2                  | 4525          | 4545           | 8                   | 1       | 6-15                           | 3 3/8-5 5/8                                | 80                                       | 40 1/2                                       | 15 5/16             | 30                      | 136                    | 164            |
| 2                      | 4526          | 4546           | 8                   | 1       | 6-15                           | 3 3/8-5 5/8                                | 83                                       | 52   | 15 5/16             | 30                      | 136                    | 164            |
| 3                      | 4527          | 4547           | 8                   | 2       | 7-15                           | 3 3/8-5 5/8                                | 85                                       | 81   | 18 7/8              | 48                      | 182                    | 230            |
| 4                      | 4528          | 4548           | 8                   | 2       | 7-15                           | 3 3/8-5 5/8                                | 87                                       | 104  | 18 7/8              | 48                      | 182                    | 230            |
| 5                      | 4529          | 4549           | 8                   | 3       | 8-18                           | 4-6 1/4                                    | 74                                       | 156  | 23 1/2              | 60                      | 268                    | 300            |
| 6                      | 4530          | 4550           | 8                   | 3       | 8-18                           | 4-6 1/4                                    | 89                                       | 156  | 24                  | 60                      | 273                    | 305            |
| 8                      | 4531          | 4551           | 8                   | 4       | 12-24                          | 5-8  | 91                                       | 208  | 28 1/4              | 72                      | 506                    | 589            |
| 10                     | 4532          | 4552           | 8                   | 5       | 12-24                          | 5-8  | 93                                       | 260  | 28 1/4              | 72                      | 513                    | 596            |
| 12                     | 4533          | 4553           | 8                   | 6       | 15-24                          | 5 1/2-8                                    | 95                                       | 312  | 30 3/8              | 96                      | 1050                   | 1130           |

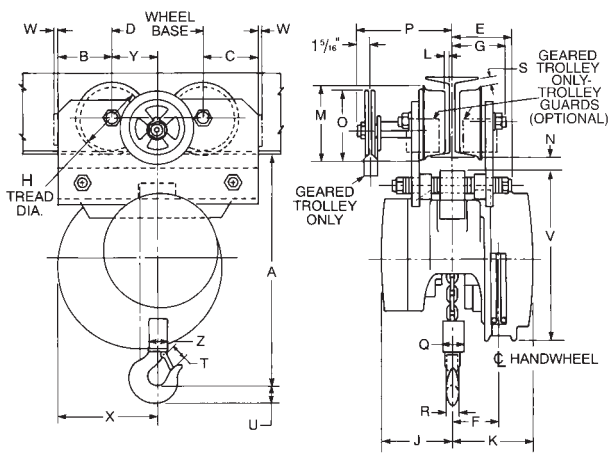
\*\* For 1/4 through 1 ton geared trolleys - minimum beam size S6 x 12.5 (3 3/8 flange width)

† Universal tread track wheels designed to operate on either sloped or flat flange beam, rails or tracks



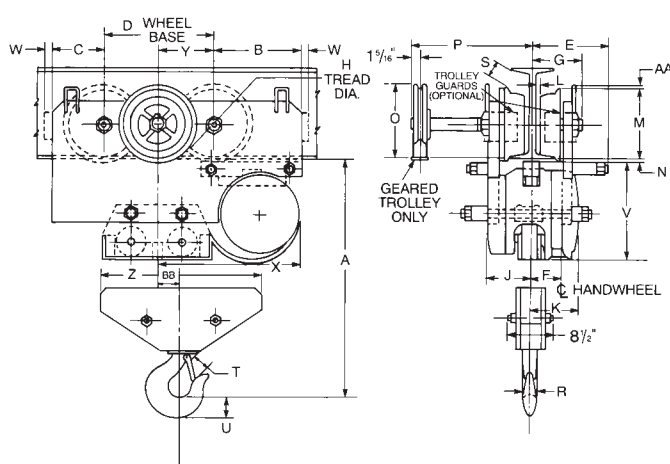
MEX (55) 53 63 23 31 MTY (81) 83 54 10 18  
 QRO (442) 1 95 72 60 ventas@industrialmagza.com

# Cyclone Army type trolley hoist-Specifications



1/4-6 TON

**1/4 - 6 ton**



**8 - 12 ton**

## Clearance dimensions (in.)

Rated capacity\* (tons)

| Dimension | 1/4, 1/2 & 1 |          | 1 1/2 & 2 |         | 3 & 4   |         | 5       |         | 6       |         | 8        |          | 10      |         | 12       |          |
|-----------|--------------|----------|-----------|---------|---------|---------|---------|---------|---------|---------|----------|----------|---------|---------|----------|----------|
|           | Plain        | Geared   | Plain     | Geared  | Plain   | Geared  | Plain   | Geared  | Plain   | Geared  | Plain    | Geared   | Plain   | Geared  | Plain    | Geared   |
| A         | 11 3/4       | 11 13/16 | 15 5/16   | 15 5/16 | 18 7/8  | 18 7/8  | 23 1/2  | 23 1/2  | 24      | 24      | 28 1/4   | 28 1/4   | 28 1/4  | 28 1/4  | 30 3/8   | 30 3/8   |
| B         | 4 3/16       | 4 3/8    | 3 11/16   | 3 11/16 | 5 3/4   | 5 3/4   | 6 1/2   | 6 1/2   | 6 1/2   | 6 1/2   | 8 15/16  | 8 15/16  | 8 15/16 | 8 15/16 | 10 7/8   | 10 7/8   |
| C         | 2 9/16       | 2 9/16   | 3 11/16   | 3 11/16 | 3 7/16  | 3 7/16  | 3 3/4   | 3 3/4   | 3 3/4   | 3 3/4   | 5 1/4    | 5 1/4    | 5 1/4   | 5 1/4   | 7 3/16   | 7 3/16   |
| D         | 6            | 6        | 6         | 6       | 6 7/8   | 6 7/8   | 7 3/4   | 7 3/4   | 7 3/4   | 7 3/4   | 11       | 11       | 11      | 11      | 11       | 11       |
| E         | 4 1/2        | 4 15/16  | 5         | 5       | 5 7/16  | 5 7/16  | 6 1/8   | 6 1/8   | 6 1/8   | 6 1/8   | 7 1/4    | 7 1/4    | 7 1/4   | 7 1/4   | 7 1/4    | 7 1/4    |
| F         | 2 1/16       | 2 1/16   | 3 1/8     | 3 1/8   | 3       | 3       | 2 13/16 | 2 13/16 | 2 13/16 | 2 13/16 | 3        | 3        | 3       | 3       | 3        | 3        |
| G         | 3            | 3 3/4    | 3 5/8     | 3 3/4   | 4 5/16  | 4 5/16  | 4 15/16 | 4 15/16 | 4 15/16 | 4 15/16 | 5 9/16   | 5 9/16   | 5 9/16  | 5 9/16  | 5 13/16  | 5 13/16  |
| H         | 3 1/8        | 4        | 4 3/4     | 4       | 5       | 5       | 6       | 6       | 6       | 6       | 8        | 8        | 8       | 8       | 8        | 8        |
| J         | 3 1/4        | 3 1/4    | 4 13/16   | 4 13/16 | 4 13/16 | 4 13/16 | 5       | 5       | 5       | 5       | 4 13/16  | 4 13/16  | 4 13/16 | 4 13/16 | 4 13/16  | 4 13/16  |
| K         | 4 1/8        | 4 1/8    | 5 1/16    | 5 1/16  | 5 1/16  | 5 1/16  | 4 7/8   | 4 7/8   | 4 7/8   | 4 7/8   | 5 1/16   | 5 1/16   | 5 1/16  | 5 1/16  | 5 1/16   | 5 1/16   |
| L         | 5/16         | 5/16     | 1/2       | 5/16    | 1/4     | 1/4     | 3/8     | 3/8     | 3/8     | 3/8     | 1/2      | 1/2      | 1/2     | 1/2     | 1 1/16   | 1 1/16   |
| M         | 4            | 4 3/4    | 5 9/16    | 4 3/4   | 5 7/8   | 5 7/8   | 7       | 7       | 7       | 7       | 9 7/16   | 9 7/16   | 9 7/16  | 9 7/16  | 9 1/2    | 9 1/2    |
| N         | 1/2          | 9/16     | 9/16      | 9/16    | 1 1/16  | 1 1/16  | 1 1/16  | 1 1/16  | 1 1/16  | 1 1/16  | 1/2      | 1/2      | 1/2     | 1/2     | 7/16     | 7/16     |
| O         | -            | 5 9/16   | -         | 5 9/16  | 6 1/8   | 6 1/8   | 6 3/4   | 6 3/4   | 6 3/4   | 6 3/4   | 7 9/16   | 7 9/16   | 7 9/16  | 7 9/16  | 7 3/16   | 7 3/16   |
| P         | -            | 10       | -         | 10      | 8 15/16 | 8 15/16 | 10 7/16 | 10 7/16 | 10 7/16 | 10 7/16 | 11 7/16  | 11 7/16  | 11 7/16 | 11 7/16 | 11 11/16 | 11 11/16 |
| Q         | 2            | 2        | 2 1/2     | 2 1/2   | 3 7/8   | 3 7/8   | 4       | 4       | 4       | 4       | 11 5/16  | 11 5/16  | -       | -       | -        | -        |
| R         | 1 1/16       | 1 1/16   | 1 1/8     | 1 1/8   | 1 1/4   | 1 1/4   | 1 1/4   | 1 1/4   | 1 3/8   | 1 3/8   | 1 13/16  | 1 13/16  | 1 13/16 | 1 13/16 | 2 3/8    | 2 3/8    |
| S         | 1/16         | 15/16    | 3/16      | 15/16   | 15/16   | 15/16   | 3/4     | 3/4     | 3/4     | 3/4     | 2 3/16   | 2 3/16   | 2 3/16  | 2 3/16  | 5 1/16   | 5 1/16   |
| T         | 1            | 1        | 1 3/8     | 1 3/8   | 1 5/8   | 1 5/8   | 1 5/8   | 1 5/8   | 1 3/4   | 1 3/4   | 2 5/16   | 2 5/16   | 2 5/16  | 2 5/16  | 3        | 3        |
| U         | 7/8          | 7/8      | 1 1/8     | 1 1/8   | 1 11/16 | 1 11/16 | 1 11/16 | 1 11/16 | 1 7/8   | 1 7/8   | 2 9/16   | 2 9/16   | 2 9/16  | 2 9/16  | 3        | 3        |
| V         | 10 1/8       | 10 1/8   | 11 3/8    | 11 3/8  | 11 3/8  | 11 3/8  | 11 3/8  | 1 3/8   | 11 3/8  | 11 3/8  | 11 5/8   | 11 5/8   | 11 5/8  | 11 5/8  | 11 5/8   | 11 5/8   |
| W         | 1/4          | 3/8      | 3/8       | 3/8     | 1/2     | 1/2     | 5/8     | 5/8     | 5/8     | 5/8     | 5/8      | 5/8      | 5/8     | 5/8     | 5/8      | 5/8      |
| X         | 7 3/16       | 7 3/16   | 6 11/16   | 6 11/16 | 8 15/16 | 8 15/16 | 10 5/16 | 10 5/16 | 10 5/16 | 10 5/16 | 14 7/16  | 14 7/16  | 14 7/16 | 14 7/16 | 16 3/8   | 16 3/8   |
| Y         | 3            | 3        | 3         | 3       | 3 7/16  | 3 7/16  | 3 7/8   | 3 7/8   | 3 7/8   | 3 7/8   | 5 1/2    | 5 1/2    | 5 1/2   | 5 1/2   | 5 1/2    | 5 1/2    |
| Z         | 2            | 2        | 2 1/2     | 2 1/2   | 4 1/2   | 4 1/2   | 6 1/4   | 6 1/4   | 6 1/4   | 6 1/4   | 13 15/16 | 13 15/16 | 18 3/16 | 18 3/16 | 21 11/16 | 21 11/16 |
| AA        | -            | -        | -         | -       | -       | -       | -       | -       | -       | -       | 3/8      | 3/8      | 3/8     | 3/8     | 3/8      | 3/8      |
| BB        | -            | -        | -         | -       | -       | -       | -       | -       | -       | -       | 1 15/16  | 1 15/16  | 0       | 0       | 0        | 0        |

Note: Dimensions are based on minimum beam and may vary with larger beams.



**INDUSTRIAL MAGZA**  
DIST. AUTORIZADO

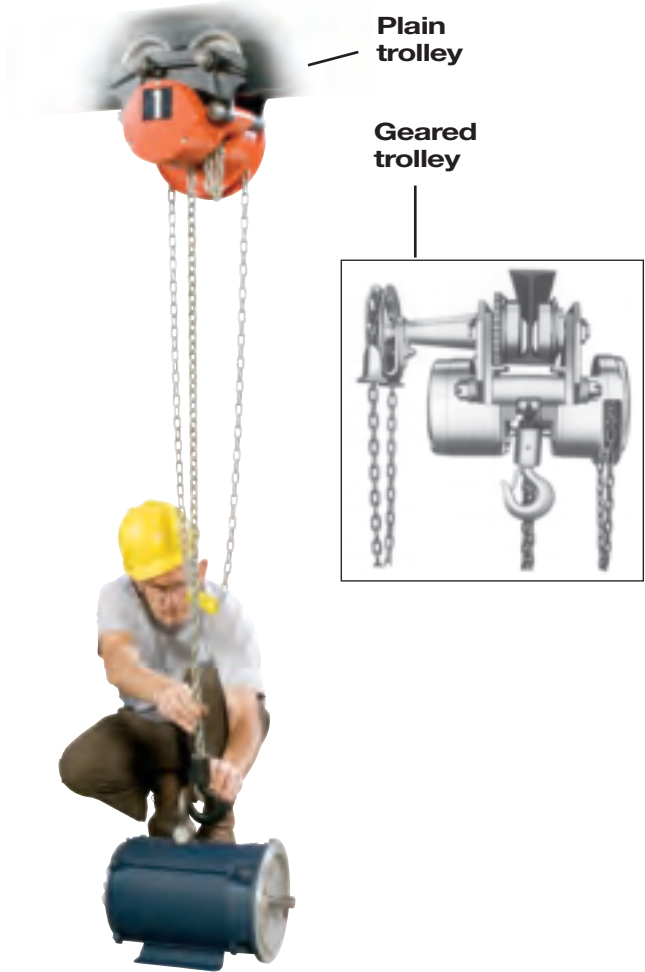
MEX (55) 53 63 23 31  
QRO (442) 1 95 72 60

MTY (81) 83 54 10 18  
ventas@industrialmagza.com

# Cyclone trolley hoist for low headroom

## Cyclone and trolley all in one unit for low headroom applications features:

- Crowned tread and flanged wheels to minimize rolling friction
- Simple, efficient design
- Reduced headroom, side clearances and end approach for easy maneuvering of loads in tight places
- Plain trolley mounts in capacities from 1/2 to 6 tons
- Geared trolley mounts in capacities from 1 1/2 to 6 tons
- Standard hand chain drop 2 feet less than lift (example: 8 foot lift hoist has 6 foot hand chain drop)
- Chain containers, zinc-plated load and hand chain, aluminum unwelded hand chain, Latchlok hooks, bronze hooks, bullard hooks, larger beam trolleys, trolley guards and units without Load Limiter optional, depending on capacity
- Standard Load Limiter/automatic overload protection
- Lifetime warranty
- Metric rated
- Made in U.S.A.



## Specifications

| Rated capacity* (tons) | Product code  |                | Std. lift (ft.) | Reeving | American standard depth (in.)†† | Beam adjustment ranges flange width (in.)††                  | Chain pull to lift full load (lbs.) | Chain overhauled to lift load one foot (ft.) | Min. headroom (in.)            | Min. radius curve (in.) | Shipping weight (lbs.) |                |
|------------------------|---------------|----------------|-----------------|---------|---------------------------------|--|-------------------------------------|--|--------------------------------|-------------------------|------------------------|----------------|
|                        | Plain trolley | Geared trolley |                 |         |                                 |  |                                     |  |                                |                         | Plain trolley          | Geared trolley |
| 1/2                    | 4832          | —              | 8               | 1       | 6-12**†                         | 3 <sup>3</sup> / <sub>8</sub> -5                             | 46                                  | 22 <sup>1</sup> / <sub>2</sub>               | 8 <sup>7</sup> / <sub>8</sub>  | 36                      | 88                     | —              |
| 1                      | 4834          | —              | 8               | 1       | 6-12**†                         | 3 <sup>3</sup> / <sub>8</sub> -5                             | 69                                  | 30   | 9 <sup>1</sup> / <sub>4</sub>  | 36                      | 93                     | —              |
| 1 1/2                  | 4835          | 4925           | 8               | 1       | 7-15**†                         | 3 <sup>5</sup> / <sub>8</sub> -5 <sup>1</sup> / <sub>2</sub> | 80                                  | 40 <sup>1</sup> / <sub>2</sub>               | 12 <sup>1</sup> / <sub>2</sub> | 48                      | 186                    | 210            |
| 2                      | 4836          | 4926           | 8               | 1       | 7-15†                           | 3 <sup>5</sup> / <sub>8</sub> -5 <sup>1</sup> / <sub>2</sub> | 83                                  | 52   | 12 <sup>1</sup> / <sub>2</sub> | 48                      | 186                    | 216            |
| 3                      | 4837          | 4927           | 8               | 2       | 7-15†                           | 3 <sup>5</sup> / <sub>8</sub> -5 <sup>1</sup> / <sub>2</sub> | 85                                  | 81   | 14 <sup>1</sup> / <sub>8</sub> | 48                      | 203                    | 233            |
| 4                      | 4838          | 4928           | 8               | 2       | 8-24†                           | 4-7  | 88                                  | 104  | 16 <sup>3</sup> / <sub>4</sub> | 96                      | 308                    | 372            |
| 5                      | 4839          | 4929           | 8               | 3       | 8-24†                           | 4-7  | 75                                  | 156  | 18 <sup>1</sup> / <sub>4</sub> | 96                      | 328                    | 370            |
| 6                      | 4840          | 4930           | 8               | 3       | 8-24†                           | 4-7  | 90                                  | 156  | 18 <sup>3</sup> / <sub>4</sub> | 96                      | 333                    | 375            |

\*\*1/2 and 1 ton also available for 4" and 5" S-beam, and 1 1/2 and 2 ton for 6" S-beam without extra charge

† Universal tread trackwheels designed to operate on either sloped or flat flange beams, rails, or tracks Also can be used on flat flange beams within the same range of flange widths, provided beam depth will accommodate wheel diameter (check clearance diagram)

†† Applies to minimum size S-beam within adjustability range

### \* **WARNING**

**Overloading and improper use can result in injury.**

#### To avoid injury:

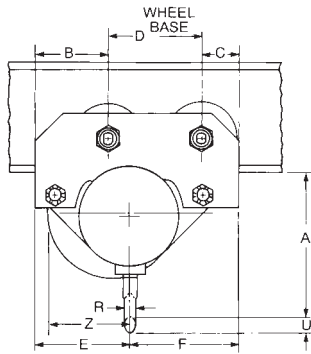
- Do not exceed working load limit, load rating capacity
- Do not use to lift people or loads over people.
- use only alloy chain for overhead lifting.
- Read and follow all instructions.



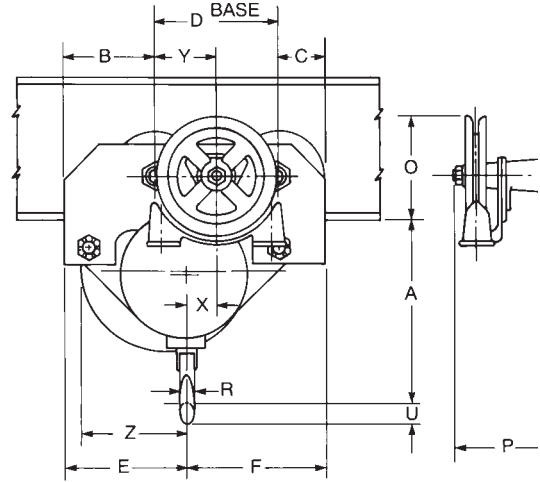
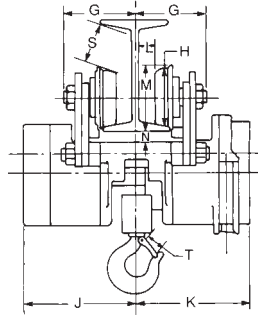
MEX (55) 53 63 23 31  
QRO (442) 1 95 72 60

MTY (81) 83 54 10 18  
ventas@industrialmagza.com

# Cyclone trolley hoist for low headroom-Specifications



**Plain trolley**



**Geared trolley**

## Clearance dimensions (in.)

| Dimension | Rated capacity* (tons)         |                                |                                |                                 |                                 |                                 |                                 |
|-----------|--------------------------------|--------------------------------|--------------------------------|---------------------------------|---------------------------------|---------------------------------|---------------------------------|
|           | 1/2                            | 1                              | 1 1/2 & 2                      | 3                               | 4                               | 5                               | 6                               |
| A         | 8 <sup>7</sup> / <sub>8</sub>  | 9 <sup>1</sup> / <sub>4</sub>  | 12 <sup>1</sup> / <sub>2</sub> | 14 <sup>1</sup> / <sub>8</sub>  | 16 <sup>3</sup> / <sub>4</sub>  | 18 <sup>1</sup> / <sub>4</sub>  | 18 <sup>3</sup> / <sub>4</sub>  |
| B         | 3 <sup>5</sup> / <sub>8</sub>  | 3 <sup>5</sup> / <sub>8</sub>  | 6                              | 6                               | 7 <sup>3</sup> / <sub>8</sub>   | 7 <sup>3</sup> / <sub>8</sub>   | 7 <sup>3</sup> / <sub>8</sub>   |
| C         | 3 <sup>5</sup> / <sub>8</sub>  | 3 <sup>5</sup> / <sub>8</sub>  | 3 <sup>1</sup> / <sub>8</sub>  | 3 <sup>1</sup> / <sub>8</sub>   | 4                               | 4                               | 4                               |
| D         | 6 <sup>1</sup> / <sub>2</sub>  | 6 <sup>1</sup> / <sub>2</sub>  | 7 <sup>3</sup> / <sub>4</sub>  | 7 <sup>3</sup> / <sub>4</sub>   | 9                               | 9                               | 9                               |
| E         | 6 <sup>7</sup> / <sub>8</sub>  | 6 <sup>3</sup> / <sub>4</sub>  | 7 <sup>5</sup> / <sub>8</sub>  | 10 <sup>1</sup> / <sub>2</sub>  | 11                              | 11 <sup>7</sup> / <sub>8</sub>  | 11 <sup>7</sup> / <sub>8</sub>  |
| F         | 6 <sup>3</sup> / <sub>4</sub>  | 6 <sup>7</sup> / <sub>8</sub>  | 9 <sup>1</sup> / <sub>4</sub>  | 6 <sup>3</sup> / <sub>8</sub>   | 9 <sup>3</sup> / <sub>8</sub>   | 8 <sup>1</sup> / <sub>2</sub>   | 8 <sup>1</sup> / <sub>2</sub>   |
| G         | 3 <sup>3</sup> / <sub>4</sub>  | 3 <sup>3</sup> / <sub>4</sub>  | 5 <sup>1</sup> / <sub>8</sub>  | 5 <sup>1</sup> / <sub>8</sub>   | 5 <sup>7</sup> / <sub>8</sub>   | 5 <sup>7</sup> / <sub>8</sub>   | 5 <sup>7</sup> / <sub>8</sub>   |
| H         | 4 <sup>3</sup> / <sub>4</sub>  | 4 <sup>3</sup> / <sub>4</sub>  | 4 <sup>5</sup> / <sub>8</sub>  | 4 <sup>5</sup> / <sub>8</sub>   | 5 <sup>7</sup> / <sub>8</sub>   | 5 <sup>7</sup> / <sub>8</sub>   | 5 <sup>7</sup> / <sub>8</sub>   |
| J         | 6                              | 6                              | 9 <sup>5</sup> / <sub>16</sub> | 9 <sup>5</sup> / <sub>16</sub>  | 10 <sup>9</sup> / <sub>16</sub> | 10 <sup>9</sup> / <sub>16</sub> | 10 <sup>9</sup> / <sub>16</sub> |
| K         | 8 <sup>1</sup> / <sub>8</sub>  | 8 <sup>1</sup> / <sub>8</sub>  | 9 <sup>5</sup> / <sub>8</sub>  | 9 <sup>5</sup> / <sub>8</sub>   | 11                              | 11                              | 11                              |
| L         | 1 <sup>1</sup> / <sub>2</sub>  | 1 <sup>1</sup> / <sub>2</sub>  | 1 <sup>1</sup> / <sub>2</sub>  | 1 <sup>1</sup> / <sub>2</sub>   | 1 <sup>1</sup> / <sub>2</sub>   | 1 <sup>1</sup> / <sub>2</sub>   | 1 <sup>1</sup> / <sub>2</sub>   |
| M         | 5 <sup>7</sup> / <sub>16</sub> | 5 <sup>7</sup> / <sub>16</sub> | 5 <sup>3</sup> / <sub>8</sub>  | 5 <sup>3</sup> / <sub>8</sub>   | 6 <sup>3</sup> / <sub>4</sub>   | 6 <sup>3</sup> / <sub>4</sub>   | 6 <sup>3</sup> / <sub>4</sub>   |
| N         | 1                              | 1                              | 1                              | 1                               | 1 <sup>1</sup> / <sub>8</sub>   | 1 <sup>1</sup> / <sub>8</sub>   | 1 <sup>1</sup> / <sub>8</sub>   |
| O         | —                              | —                              | 6 <sup>3</sup> / <sub>4</sub>  | 6 <sup>3</sup> / <sub>4</sub>   | 6 <sup>1</sup> / <sub>2</sub>   | 6 <sup>1</sup> / <sub>2</sub>   | 6 <sup>1</sup> / <sub>2</sub>   |
| P         | —                              | —                              | 4 <sup>7</sup> / <sub>8</sub>  | 4 <sup>7</sup> / <sub>8</sub>   | 4 <sup>1</sup> / <sub>4</sub>   | 4 <sup>1</sup> / <sub>4</sub>   | 4 <sup>1</sup> / <sub>4</sub>   |
| R         | 1 <sup>1</sup> / <sub>16</sub> | 1 <sup>3</sup> / <sub>16</sub> | 1 <sup>1</sup> / <sub>8</sub>  | 1 <sup>1</sup> / <sub>4</sub>   | 1 <sup>1</sup> / <sub>4</sub>   | 1 <sup>1</sup> / <sub>4</sub>   | 1 <sup>3</sup> / <sub>8</sub>   |
| S         | 5 <sup>1</sup> / <sub>16</sub> | 5 <sup>1</sup> / <sub>16</sub> | 1 <sup>3</sup> / <sub>8</sub>  | 1 <sup>3</sup> / <sub>8</sub>   | 1 <sup>1</sup> / <sub>16</sub>  | 1 <sup>1</sup> / <sub>16</sub>  | 1 <sup>1</sup> / <sub>16</sub>  |
| T         | 1 <sup>1</sup> / <sub>32</sub> | 1 <sup>1</sup> / <sub>8</sub>  | 1 <sup>5</sup> / <sub>16</sub> | 1 <sup>5</sup> / <sub>8</sub>   | 1 <sup>5</sup> / <sub>8</sub>   | 1 <sup>5</sup> / <sub>8</sub>   | 1 <sup>3</sup> / <sub>4</sub>   |
| U         | 1 <sup>5</sup> / <sub>16</sub> | 1 <sup>1</sup> / <sub>8</sub>  | 1 <sup>1</sup> / <sub>2</sub>  | 1 <sup>11</sup> / <sub>16</sub> | 1 <sup>11</sup> / <sub>16</sub> | 1 <sup>11</sup> / <sub>16</sub> | 1 <sup>7</sup> / <sub>8</sub>   |
| W         | —                              | —                              | 5 <sup>5</sup> / <sub>8</sub>  | 5 <sup>5</sup> / <sub>8</sub>   | 7                               | 7                               | 7                               |
| X         | —                              | —                              | 2 <sup>1</sup> / <sub>4</sub>  | 5 <sup>5</sup> / <sub>8</sub>   | 7 <sup>7</sup> / <sub>8</sub>   | —                               | —                               |
| Y         | —                              | —                              | 3 <sup>7</sup> / <sub>8</sub>  | 3 <sup>7</sup> / <sub>8</sub>   | 4 <sup>1</sup> / <sub>2</sub>   | 4 <sup>1</sup> / <sub>2</sub>   | 4 <sup>1</sup> / <sub>2</sub>   |
| Z         | 7 <sup>3</sup> / <sub>8</sub>  | 7 <sup>1</sup> / <sub>4</sub>  | 6 <sup>5</sup> / <sub>8</sub>  | 9 <sup>1</sup> / <sub>2</sub>   | 9 <sup>1</sup> / <sub>2</sub>   | 10 <sup>3</sup> / <sub>8</sub>  | 10 <sup>3</sup> / <sub>8</sub>  |

Note: Dimensions G, L, M, O, P, S & W are shown for minimum S-beam and increase proportionally for larger beams. Dimension N is shown for minimum S-beam and decreases proportionally for larger beams.

# Cyclone Fabric Chain Bags



## Cyclone, Army type and low headroom trolley hoist optional fabric chain bags

| Product code          |                            | Rated capacity* (tons) | Maximum length of lift (ft.) | Bag diameter (in.) | Bag length (in.) | Approx. weight (lbs.) |
|-----------------------|----------------------------|------------------------|------------------------------|--------------------|------------------|-----------------------|
| Cyclone and Army type | Low headroom trolley hoist |                        |                              |                    |                  |                       |
| 2482                  | 2493                       | 1/4-1/2                | 18                           | 7                  | 7 1/2 x 7 1/2    | 3                     |
| 2483                  | 2488                       | 1/4-1/2                | 18.1-36                      | 10                 | 7 1/2 x 7 1/2    | 3                     |
| 2484                  | 2495                       | 1/4-1/2                | 36.1-54                      | 13                 | 7 1/2 x 7 1/2    | 3                     |
| 2485                  | 2496                       | 1/4-1/2                | 54.1-78                      | 16                 | 7 1/2 x 7 1/2    | 4                     |
| 2486                  | 2497                       | 1/4-1/2                | 78.1-93                      | 18                 | 7 1/2 x 7 1/2    | 4                     |
| 2487                  | 2498                       | 1/4-1/2                | 93.1-129                     | 20                 | 7 1/2 x 7 1/2    | 4                     |
| 2482                  | 2493                       | 1                      | 11                           | 7                  | 7 1/2 x 7 1/2    | 3                     |
| 2483                  | 2494                       | 1                      | 11.1-24                      | 10                 | 7 1/2 x 7 1/2    | 3                     |
| 2484                  | 2495                       | 1                      | 24.1-37                      | 13                 | 7 1/2 x 7 1/2    | 3                     |
| 2485                  | 2496                       | 1                      | 37.1-55                      | 16                 | 7 1/2 x 7 1/2    | 4                     |
| 2486                  | 2497                       | 1                      | 55.1-66                      | 18                 | 7 1/2 x 7 1/2    | 4                     |
| 2487                  | 2498                       | 1                      | 66.1-92                      | 20                 | 7 1/2 x 7 1/2    | 4                     |
| 2488                  | 2488                       | 1 1/2-2                | 13                           | 10                 | 7 1/2 x 7 1/2    | 3                     |
| 2489                  | 2489                       | 1 1/2-2                | 13.1-20                      | 13                 | 7 1/2 x 7 1/2    | 3                     |
| 2490                  | 2490                       | 1 1/2-2                | 20.1-29                      | 16                 | 7 1/2 x 7 1/2    | 4                     |
| 2491                  | 2491                       | 1 1/2-2                | 29.1-35                      | 18                 | 7 1/2 x 7 1/2    | 4                     |
| 2492                  | 2492                       | 1 1/2-2                | 35.1-49                      | 20                 | 7 1/2 x 7 1/2    | 4                     |
| 2489                  | 2489                       | 3-4                    | 10                           | 13                 | 7 1/2 x 7 1/2    | 3                     |
| 2490                  | 2490                       | 3-4                    | 10.1-15                      | 16                 | 7 1/2 x 7 1/2    | 4                     |
| 2491                  | 2491                       | 3-4                    | 15.1-18                      | 18                 | 7 1/2 x 7 1/2    | 4                     |
| 2492                  | 2492                       | 3-4                    | 18.1-25                      | 20                 | 7 1/2 x 7 1/2    | 4                     |
| 2490                  | 2490                       | 5-6                    | 10                           | 16                 | 7 1/2 x 7 1/2    | 4                     |
| 2491                  | 2491                       | 5-6                    | 10.2-12                      | 18                 | 7 1/2 x 7 1/2    | 4                     |
| 2492                  | 2492                       | 5-6                    | 12.1-17                      | 20                 | 7 1/2 x 7 1/2    | 4                     |
| 2491                  | 2491                       | 8                      | 8                            | 18                 | 7 1/2 x 7 1/2    | 4                     |
| 2492                  | 2492                       | 8                      | 8.1-12                       | 20                 | 7 1/2 x 7 1/2    | 4                     |
| 2492                  | 2492                       | 10                     | 10                           | 20                 | 7 1/2 x 7 1/2    | 4                     |



MEX (55) 53 63 23 31 MTY (81) 83 54 10 18  
 QRO (442) 1 95 72 60 ventas@industrialmagza.com



# Cyclone Chain Containers



## Cyclone, Army type and low headroom trolley hoist optional metal chain containers

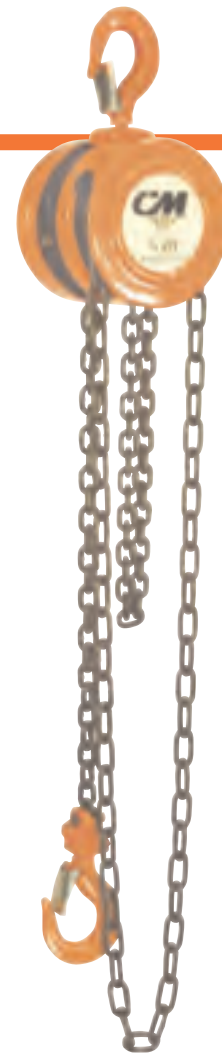
| Product code          |                            | Rated capacity* (tons) | Maximum length of lift (ft.) | Bucket length (in.) | Bucket diameter (in.) | Approximate weight (lbs.) |
|-----------------------|----------------------------|------------------------|------------------------------|---------------------|-----------------------|---------------------------|
| Cyclone and Army type | Low headroom trolley hoist |                        |                              |                     |                       |                           |
| 4603S-373S            | 4614S-329S                 | 1/4-1/2                | 9                            | 8                   | 5                     | 3                         |
| 4603S-373S            | 4614S-330S                 | 1/4-1/2                | 9.1-18                       | 11                  | 5                     | 4                         |
| 4603S-375S            | 4614S-331S                 | 1/4-1/2                | 18.1-27                      | 14                  | 5                     | 4                         |
| 4603S-376S            | 4614S-332S                 | 1/4-1/2                | 27.1-36                      | 17                  | 5                     | 5                         |
| 4603S-377S            | 4614S-333S                 | 1/4-1/2                | 45                           | 20                  | 5                     | 6                         |
| 4603S-378S            | 4614S-334S                 | 1/4-1/2                | 45.1-54                      | 23                  | 5                     | 6                         |
| 4603S-379S            | 4614S-335S                 | 1/4-1/2                | 54.1-78                      | 31                  | 5                     | 8                         |
| 4603S-380S            | 4614S-336S                 | 1/4-1/2                | 78.1-93                      | 36                  | 5                     | 9                         |
| 4603S-381S            | 4614S-337S                 | 1/4-1/2                | 93.1-129                     | 48                  | 5                     | 12                        |
| 4063S-382S            | 4614S-339S                 | 1                      | 11                           | 11                  | 5                     | 4                         |
| 4603S-383S            | 4614S-340S                 | 1                      | 11.1-18                      | 14                  | 5                     | 4                         |
| 4603S-384S            | 4614S-341S                 | 1                      | 18.1-24                      | 17                  | 5                     | 5                         |
| 4603S-385S            | 4614S-342S                 | 1                      | 24.1-31                      | 20                  | 5                     | 6                         |
| 4603S-386S            | 4614S-343S                 | 1                      | 31.1-37                      | 23                  | 5                     | 6                         |
| 4603S-387S            | 4614S-344S                 | 1                      | 37.1-55                      | 31                  | 5                     | 8                         |
| 4603S-388S            | 4614S-345S                 | 1                      | 55.1-66                      | 36                  | 5                     | 9                         |
| 4603S-389S            | 4614S-346S                 | 1                      | 66.1-92                      | 48                  | 5                     | 12                        |
| 4603S-352S            | 4614S-352S                 | 1 1/2-2                | 9                            | 14                  | 5                     | 4                         |
| 4603S-353S            | 4614S-353S                 | 1 1/2-2                | 9.1-13                       | 17                  | 5                     | 5                         |
| 4603S-354S            | 4614S-354S                 | 1 1/2-2                | 13.1-16                      | 20                  | 5                     | 6                         |
| 4603S-355S            | 4614S-355S                 | 1 1/2-2                | 16.1-20                      | 23                  | 5                     | 6                         |
| 4603S-356S            | 4614S-356S                 | 1 1/2-2                | 20.1-29                      | 31                  | 5                     | 8                         |
| 4603S-357S            | 4614S-357S                 | 1 1/2-2                | 29.1-35                      | 36                  | 5                     | 9                         |
| 4603S-358S            | 4614S-358S                 | 1 1/2-2                | 35.1-49                      | 48                  | 5                     | 12                        |
| 4603S-394S            | —                          | 3-4                    | 8                            | 20                  | 5                     | 6                         |
| 4603S-360S            | 4614S-360S                 | 3-4                    | 10                           | 23                  | 5                     | 6                         |
| 4603S-361S            | 4614S-361S                 | 3-4                    | 10.1-15                      | 31                  | 5                     | 8                         |
| 4603S-362S            | 4614S-362S                 | 3-4                    | 15.1-18                      | 36                  | 5                     | 9                         |
| 4603S-363S            | 4614S-363S                 | 3-4                    | 18.1-25                      | 48                  | 5                     | 12                        |
| 4603S-367S            | 4614S-367S                 | 5-6                    | 10                           | 31                  | 5                     | 8                         |
| 4603S-368S            | 4614S-368S                 | 5-6                    | 10.1-12                      | 36                  | 5                     | 9                         |
| 4603S-369S            | 4614S-369S                 | 5-6                    | 12.1-17                      | 48                  | 5                     | 12                        |
| 4603S-395S            | —                          | 8                      | 8                            | 36                  | 5                     | 9                         |
| 4603S-396S            | —                          | 8                      | 8.1-12                       | 48                  | 5                     | 12                        |
| 4603S-397S            | —                          | 10                     | 10                           | 48                  | 5                     | 12                        |



**INDUSTRIAL MAGZA**  
DIST. AUTORIZADO

MEX (55) 53 63 23 31 MTY (81) 83 54 10 18  
QRO (442) 1 95 72 60 ventas@industrialmagza.com

# Series 622 hand chain hoist

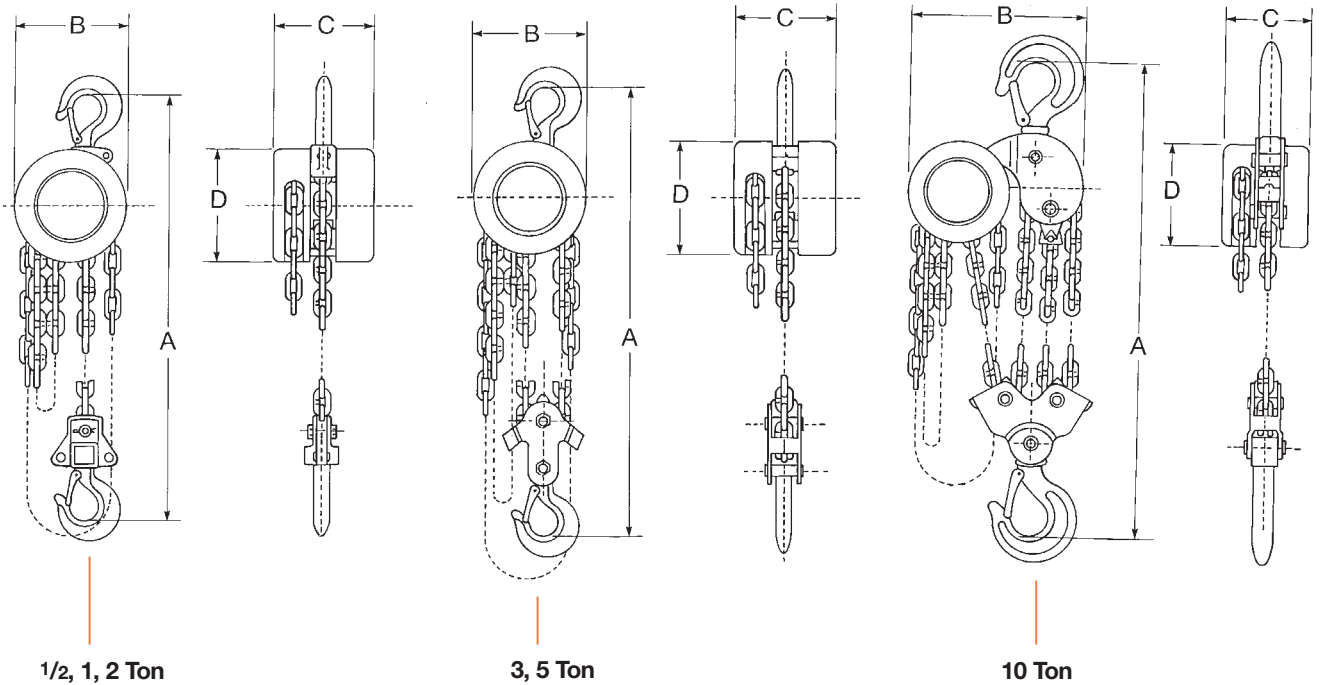


- Simple, efficient, economical design
- Equipped with hardened load chain for flexibility and long wear
- Compact design, low headroom and lightweight steel construction for easy installation, even in confined spaces
- Weston-type load brake requires no lubrication
- Hand wheel cover with guide slots minimizes jamming and slipping
- Forged swivel hooks with latches reduce twisting of chain and unintentional unhooking of load when chain is slack
- Standard hand chain drop is 2 feet less than lift (example: 8 foot lift hoist has 6 foot hand chain drop)
- One-year warranty
- Metric rated
- Imported

## Specifications

| Product code | Rated capacity* (tons) | Standard lift (ft.) | Chain pull to lift rated load (lbs.) | Hand chain overhauled to lift load one foot (ft.) | Approx. shipping weight (lbs.) |
|--------------|------------------------|---------------------|--------------------------------------|---|--------------------------------|
| 2202         | 1/2                    | 8                   | 53                                   | 29  | 15                             |
| 2216         | 1/2                    | 12                  | 53                                   | 29  | 22                             |
| 2208         | 1/2                    | 15                  | 53                                   | 29  | 25                             |
| 2231         | 1/2                    | 20                  | 53                                   | 29  | 30                             |
| 2263         | 1/2                    | 30                  | 53                                   | 29  | 38                             |
| 2204         | 1                      | 8                   | 77                                   | 37  | 22                             |
| 2217         | 1                      | 12                  | 77                                   | 37  | 29                             |
| 2210         | 1                      | 15                  | 77                                   | 37  | 32                             |
| 2262         | 1                      | 20                  | 77                                   | 37  | 38                             |
| 2264         | 1                      | 30                  | 77                                   | 37  | 48                             |
| 2206         | 2                      | 8                   | 82                                   | 80  | 57                             |
| 2218         | 2                      | 12                  | 82                                   | 80  | 6                              |
| 2213         | 2                      | 15                  | 82                                   | 80  | 71                             |
| 2233         | 2                      | 20                  | 82                                   | 80  | 80                             |
| 2272         | 2                      | 30                  | 85                                   | 80  | 85                             |
| 2207         | 3                      | 8                   | 65                                   | 154   | 85                             |
| 2230         | 3                      | 12                  | 65                                   | 154   | 93                             |
| 2214         | 3                      | 20                  | 65                                   | 154   | 109                            |
| 2209         | 5                      | 8                   | 105                                  | 147   | 82                             |
| 2215         | 5                      | 12                  | 105                                  | 147   | 96                             |
| 2234         | 5                      | 20                  | 105                                  | 147   | 123                            |
| 2212         | 10                     | 8                   | 109                                  | 289   | 164                            |

# Series 622 hand chain hoist-Specifications



**\* ⚠ WARNING**

**Overloading and improper use can result in injury.**

**To avoid injury:**

- Do not exceed working load limit, load rating capacity
- Do not use to lift people or loads over people.
- use only alloy chain for overhead lifting.
- Read and follow all instructions.

### Clearance dimensions (in.)

| Dimension            | Rated capacity* (tons)          |                                 |                                |                                  |                                 |                                 |
|----------------------|---------------------------------|---------------------------------|--------------------------------|----------------------------------|---------------------------------|---------------------------------|
|                      | 1/2                             | 1                               | 2                              | 3                                | 5                               | 10                              |
| A (Headroom)         | 11 <sup>5</sup> / <sub>8</sub>  | 13                              | 18 <sup>1</sup> / <sub>8</sub> | 21 <sup>29</sup> / <sub>32</sub> | 23 <sup>7</sup> / <sub>8</sub>  | 27 <sup>9</sup> / <sub>16</sub> |
| B (Width)            | 4 <sup>15</sup> / <sub>16</sub> | 5 <sup>19</sup> / <sub>32</sub> | 8 <sup>5</sup> / <sub>16</sub> | 8 <sup>5</sup> / <sub>16</sub>   | 8 <sup>5</sup> / <sub>16</sub>  | 14 <sup>3</sup> / <sub>32</sub> |
| C (Depth)            | 4 <sup>5</sup> / <sub>16</sub>  | 5 <sup>1</sup> / <sub>16</sub>  | 6 <sup>5</sup> / <sub>8</sub>  | 6 <sup>5</sup> / <sub>8</sub>    | 6 <sup>5</sup> / <sub>8</sub>   | 6 <sup>5</sup> / <sub>8</sub>   |
| D (Diameter)         | 4 <sup>15</sup> / <sub>16</sub> | 5 <sup>19</sup> / <sub>32</sub> | 8 <sup>5</sup> / <sub>16</sub> | 8 <sup>5</sup> / <sub>16</sub>   | 8 <sup>5</sup> / <sub>16</sub>  | 8 <sup>5</sup> / <sub>16</sub>  |
| Hook opening (upper) | 1 <sup>1</sup> / <sub>16</sub>  | 1 <sup>1</sup> / <sub>32</sub>  | 1 <sup>1</sup> / <sub>4</sub>  | 5 <sup>1</sup> / <sub>16</sub>   | 1 <sup>13</sup> / <sub>16</sub> | 2 <sup>1</sup> / <sub>2</sub>   |
| Hook opening (lower) | 1 <sup>1</sup> / <sub>16</sub>  | 1 <sup>1</sup> / <sub>32</sub>  | 1 <sup>1</sup> / <sub>4</sub>  | 5 <sup>1</sup> / <sub>16</sub>   | 1 <sup>13</sup> / <sub>16</sub> | 2 <sup>1</sup> / <sub>2</sub>   |

# Series 602/603 mini ratchet lever hoist

## Mini-Ratchet Lever Hoists lift up to 1100 lbs. plus the convenience of toolbox storage.

The CM Series 603 & 602 Mini-Hoists are the most compact ratchet lever hoists in the market, perform just like the larger models, plus come standard with these great features:

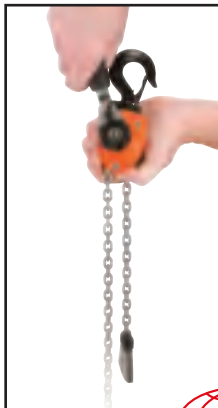
- Plated load chain is standard.
- Weston-type load brake.
- Rubber hand grip for better comfort and security.
- Lightweight design for ease of portability. Use in confined conditions with one-hand operation.
- Forged upper and lower hooks with latches standard.
- Impact resistant, all-steel frame, gear case and cover.
- Hardened link-type alloy steel load chain for strength and long wear.
- Free wheeling feature serves to quickly attach the load.
- Metric rated.



5 Ft. & 10 Ft. Lifts

### SPECIFICATIONS

| Capacity (Lbs.) | Capacity (Kg.) | Model Number | Number of Chainfalls | Handle Length (In.) | Minimum Distance Between Hooks (In.) | Lift w/ One Full Lever Turn (In.) | Handle Pull @ W.L.L. (Lbs.) | Net Weight w/Standard Lift (Lbs.) |
|-----------------|----------------|--------------|----------------------|---------------------|--------------------------------------|-----------------------------------|-----------------------------|-----------------------------------|
| 550             | 250            | 602          | 1                    | 6.300               | 9.45                                 | 3.15                              | 56                          | 6.0                               |
| 1100            | 500            | 603          | 1                    | 6.375               | 11.125                               | 1.57                              | 78                          | 7.0                               |



*Our compact Mini-Hoists perform just like the larger hoists, except they're small enough to fit in the palm of your hand.*



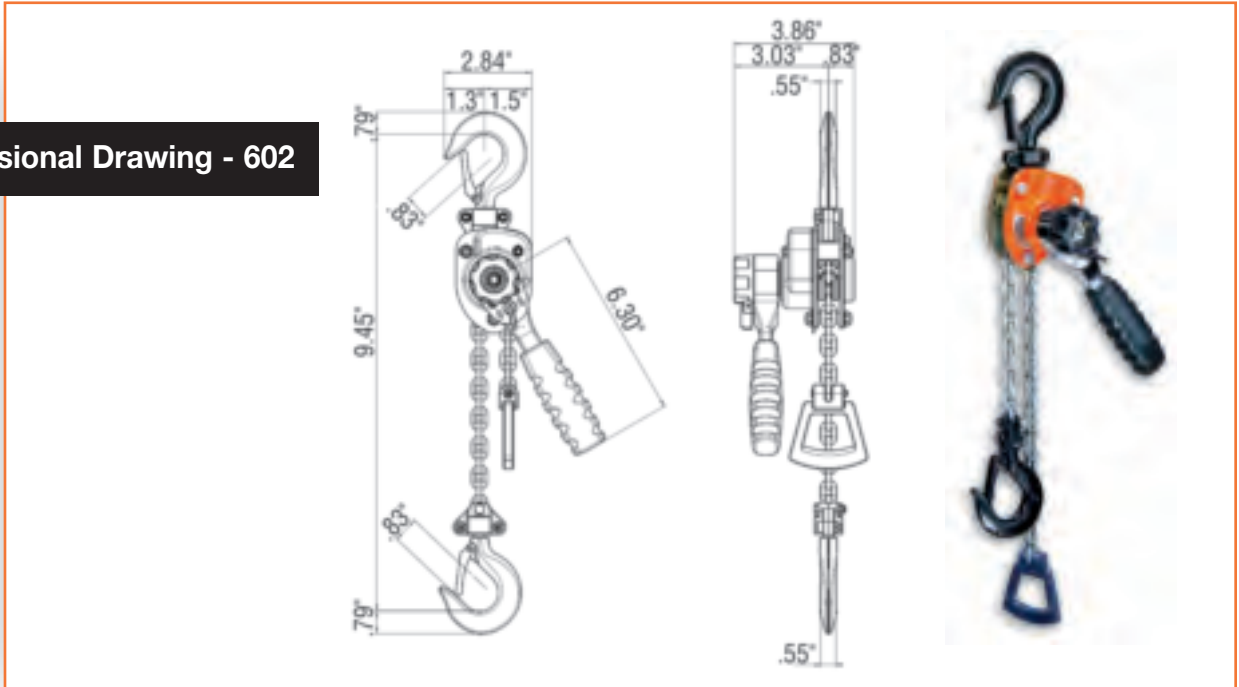
Convenient Carry Bag -



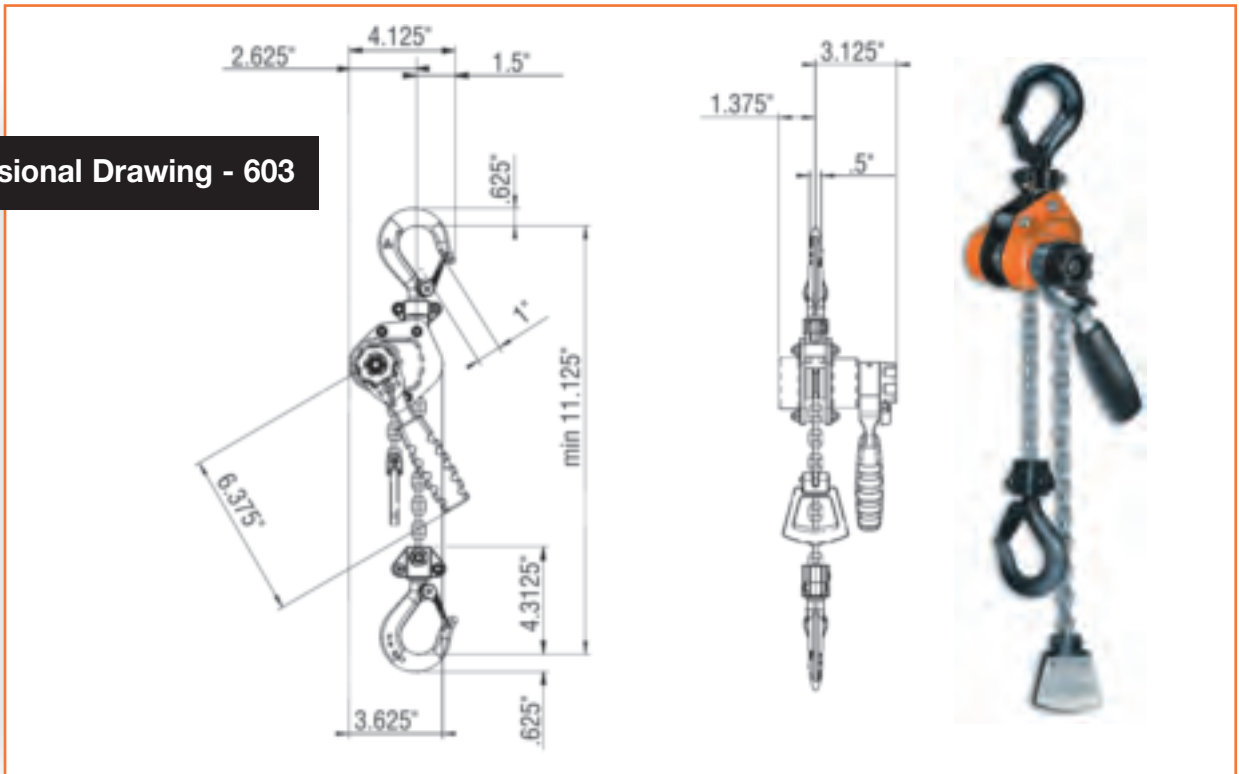
MEX (55) 53 63 23 01 Product Code # 02184 10 18  
 QRO (442) 1 95 72 60 ventas@industrialmagza.com

# Series 602 mini ratchet lever hoist-Specifications

Dimensional Drawing - 602



Dimensional Drawing - 603



# Series 653 Lever operated hoist

## Ideal for construction and industrial applications

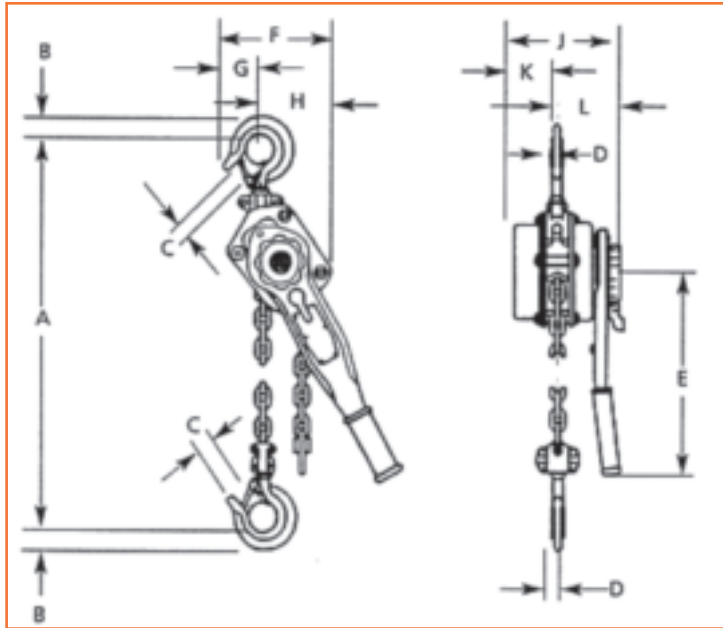
The Series 653 lever operated hoist is a high quality, rugged, steel tool for close quarter pulling, stretching, and hoisting applications. Its characteristic short handle, along with minimal lever pull effort, make this tool ideal for a broad range of applications.

- Capacities from 3/4 to 6 tons
- Impact resistant, stamped steel frame, gear case and cover for durability and light weight.
- Powder coated finish for added corrosion protection.
- Hardened steel load sharing gears.
- Double pawl arrangement for assured load control.
- Two chain guide rollers for positive chain engagement.
- Weston type braking system for positive load control and positioning.
- Simple one-handed, free chaining for fast load attachment.
- Hardened steel chain for strength and long wear life.
- Forged upper and lower hooks with heavy cast steel latches.
- Rubber handle grip for added operator comfort.
- Minimal maintenance with no special tools required.
- 5-year warranty against defects in materials and workmanship.
- Metric rated.
- Meets ASME B30.21 – Manually Lever Operated Hoist Standard and European CE Standard.
- Designed and manufactured by Columbus McKinnon Corporation.



Shipyards hooks are available for use with the Series 653 in shipbuilding and metal fabrication industries. The upper shipyard hook replaces the standard hook and easily attaches to the body of the hoist. The lower hook is furnished with a chain block for direct attachment to the load of the hoist. Shipyards hooks are excellent for positioning steel plate and fixtures during welding applications.

# Series 533 lever operated hoist-Specifications



## Specifications

| Product code | Load rating (tonnes)          | Lift or reach (ft.) | Lever pull to lift rated load (lbs.) | Approx. ship wt. (lbs.) | A                                | B                               | C                              | D                             | E                              | F                             | G                              | H                              | J                               | K                             | L                               |
|--------------|-------------------------------|---------------------|--------------------------------------|-------------------------|----------------------------------|---------------------------------|--------------------------------|-------------------------------|--------------------------------|-------------------------------|--------------------------------|--------------------------------|---------------------------------|-------------------------------|---------------------------------|
| 5310         | 3/4                           | 5                   | 33                                   | 15.0                    | 12 <sup>5</sup> / <sub>8</sub>   | 15/16                           | 1 <sup>1</sup> / <sub>8</sub>  | 11/16                         | 11                             | 4 <sup>3</sup> / <sub>8</sub> | 2 <sup>3</sup> / <sub>16</sub> | 2 <sup>3</sup> / <sub>16</sub> | 5 <sup>15</sup> / <sub>16</sub> | 2 <sup>3</sup> / <sub>8</sub> | 3 <sup>9</sup> / <sub>16</sub>  |
| 5311         | 3/4                           | 10                  | 33                                   | 15.8                    | 12 <sup>5</sup> / <sub>8</sub>   | 15/16                           | 1 <sup>1</sup> / <sub>8</sub>  | 11/16                         | 11                             | 4 <sup>3</sup> / <sub>8</sub> | 2 <sup>3</sup> / <sub>16</sub> | 2 <sup>3</sup> / <sub>16</sub> | 5 <sup>15</sup> / <sub>16</sub> | 2 <sup>3</sup> / <sub>8</sub> | 3 <sup>9</sup> / <sub>16</sub>  |
| 5312         | 3/4                           | 15                  | 33                                   | 16.6                    | 12 <sup>5</sup> / <sub>8</sub>   | 15/16                           | 1 <sup>1</sup> / <sub>8</sub>  | 11/16                         | 11                             | 4 <sup>3</sup> / <sub>8</sub> | 2 <sup>3</sup> / <sub>16</sub> | 2 <sup>3</sup> / <sub>16</sub> | 5 <sup>15</sup> / <sub>16</sub> | 2 <sup>3</sup> / <sub>8</sub> | 3 <sup>9</sup> / <sub>16</sub>  |
| 5313         | 3/4                           | 20                  | 33                                   | 17.3                    | 12 <sup>5</sup> / <sub>8</sub>   | 15/16                           | 1 <sup>1</sup> / <sub>8</sub>  | 11/16                         | 11                             | 4 <sup>3</sup> / <sub>8</sub> | 2 <sup>3</sup> / <sub>16</sub> | 2 <sup>3</sup> / <sub>16</sub> | 5 <sup>15</sup> / <sub>16</sub> | 2 <sup>3</sup> / <sub>8</sub> | 3 <sup>9</sup> / <sub>16</sub>  |
| 5328         | 1                             | 5                   | 44                                   | 15.0                    | 12 <sup>5</sup> / <sub>8</sub>   | 15/16                           | 1 <sup>1</sup> / <sub>8</sub>  | 11/16                         | 11                             | 4 <sup>3</sup> / <sub>8</sub> | 2 <sup>3</sup> / <sub>16</sub> | 2 <sup>3</sup> / <sub>16</sub> | 5 <sup>15</sup> / <sub>16</sub> | 2 <sup>3</sup> / <sub>8</sub> | 3 <sup>9</sup> / <sub>16</sub>  |
| 5315         | 1 <sup>1</sup> / <sub>2</sub> | 5                   | 51                                   | 27.0                    | 14 <sup>3</sup> / <sub>16</sub>  | 1 <sup>1</sup> / <sub>8</sub>   | 1 <sup>1</sup> / <sub>4</sub>  | 13/16                         | 16 <sup>1</sup> / <sub>4</sub> | 4 <sup>3</sup> / <sub>8</sub> | 2 <sup>3</sup> / <sub>8</sub>  | 2 <sup>3</sup> / <sub>8</sub>  | 6 <sup>7</sup> / <sub>8</sub>   | 3                             | 3 <sup>15</sup> / <sub>16</sub> |
| 5316         | 1 <sup>1</sup> / <sub>2</sub> | 10                  | 51                                   | 31.4                    | 14 <sup>3</sup> / <sub>16</sub>  | 1 <sup>1</sup> / <sub>8</sub>   | 1 <sup>1</sup> / <sub>4</sub>  | 13/16                         | 16 <sup>1</sup> / <sub>4</sub> | 4 <sup>3</sup> / <sub>8</sub> | 2 <sup>3</sup> / <sub>8</sub>  | 2 <sup>3</sup> / <sub>8</sub>  | 6 <sup>7</sup> / <sub>8</sub>   | 3                             | 3 <sup>15</sup> / <sub>16</sub> |
| 5317         | 1 <sup>1</sup> / <sub>2</sub> | 15                  | 51                                   | 35.8                    | 14 <sup>3</sup> / <sub>16</sub>  | 1 <sup>1</sup> / <sub>8</sub>   | 1 <sup>1</sup> / <sub>4</sub>  | 13/16                         | 16 <sup>1</sup> / <sub>4</sub> | 4 <sup>3</sup> / <sub>8</sub> | 2 <sup>3</sup> / <sub>8</sub>  | 2 <sup>3</sup> / <sub>8</sub>  | 6 <sup>7</sup> / <sub>8</sub>   | 3                             | 3 <sup>15</sup> / <sub>16</sub> |
| 5318         | 1 <sup>1</sup> / <sub>2</sub> | 20                  | 51                                   | 40.2                    | 14 <sup>3</sup> / <sub>16</sub>  | 1 <sup>1</sup> / <sub>8</sub>   | 1 <sup>1</sup> / <sub>4</sub>  | 13/16                         | 16 <sup>1</sup> / <sub>4</sub> | 4 <sup>3</sup> / <sub>8</sub> | 2 <sup>3</sup> / <sub>8</sub>  | 2 <sup>3</sup> / <sub>8</sub>  | 6 <sup>7</sup> / <sub>8</sub>   | 3                             | 3 <sup>15</sup> / <sub>16</sub> |
| 5329         | 2                             | 5                   | 68                                   | 27.0                    | 14 <sup>13</sup> / <sub>16</sub> | 1 <sup>1</sup> / <sub>8</sub>   | 1 <sup>1</sup> / <sub>4</sub>  | 13/16                         | 16 <sup>1</sup> / <sub>4</sub> | 4 <sup>3</sup> / <sub>8</sub> | 2 <sup>3</sup> / <sub>8</sub>  | 2 <sup>3</sup> / <sub>8</sub>  | 6 <sup>7</sup> / <sub>8</sub>   | 3                             | 3 <sup>15</sup> / <sub>16</sub> |
| 5320         | 3                             | 5                   | 77                                   | 45.0                    | 18 <sup>11</sup> / <sub>16</sub> | 1 <sup>13</sup> / <sub>16</sub> | 1 <sup>9</sup> / <sub>16</sub> | 1 <sup>1</sup> / <sub>4</sub> | 16 <sup>1</sup> / <sub>4</sub> | 7 <sup>1</sup> / <sub>2</sub> | 3 <sup>3</sup> / <sub>8</sub>  | 4 <sup>3</sup> / <sub>16</sub> | 7 <sup>7</sup> / <sub>8</sub>   | 3 <sup>3</sup> / <sub>8</sub> | 4 <sup>9</sup> / <sub>16</sub>  |
| 5321         | 3                             | 10                  | 77                                   | 52.3                    | 18 <sup>11</sup> / <sub>16</sub> | 1 <sup>13</sup> / <sub>16</sub> | 1 <sup>9</sup> / <sub>16</sub> | 1 <sup>1</sup> / <sub>4</sub> | 16 <sup>1</sup> / <sub>4</sub> | 7 <sup>1</sup> / <sub>2</sub> | 3 <sup>3</sup> / <sub>8</sub>  | 4 <sup>3</sup> / <sub>16</sub> | 7 <sup>7</sup> / <sub>8</sub>   | 3 <sup>3</sup> / <sub>8</sub> | 4 <sup>9</sup> / <sub>16</sub>  |

**\* ⚠ WARNING**

Overloading and improper use can result in injury.

**To avoid injury:**

- Do not exceed working load limit, load rating capacity
- Do not use to lift people or loads over people.
- use only alloy chain for overhead lifting.
- Read and follow all instructions.



Upper Shipyard hook

| Capacity (tons)               | Product code | Net Wt. (lbs.) |
|-------------------------------|--------------|----------------|
| 1 <sup>1</sup> / <sub>2</sub> | 3315WLP      | 2.9            |
| 3                             | 3303WLP      | 4.9            |



Lower Shipyard hook

| Capacity (tons)               | Product code | Net Wt. (lbs.) |
|-------------------------------|--------------|----------------|
| 1 <sup>1</sup> / <sub>2</sub> | 3415WLP      | 2.1            |
| 3                             | 3403WLP      | 4.8            |

# Puller



The CM Puller is designed for heavy-duty construction and industrial applications. Used to pull, lift, drag or stretch, it features:

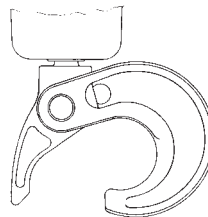
- Tough aluminum alloy construction and powder coat finish
- Weatherproof for outdoor service
- Simple construction with fewer parts for ease of maintenance and lower inventories
- Hoistaloy hardened steel link type load chain for strength, long wear life and flexibility
- Weatherized Weston-type automatic braking system for positive load control
- Easy, one-hand operation and control — only 58 pounds of pull required for 3/4 ton model capacity
- Forged upper and lower hooks with latches standard
- Free wheeling for fast and easy attachment to load
- Upper and lower Latchlok hooks available for all capacities
- Optional Load Limiter protection device stops transmission of lever forces protecting against dangerous overload
- Optional anchor sling simplifies attachment to allow anchor hook to swivel in tight space applications (3/4 & 1 1/2 ton units only)
- Optional Load Sentry warns of overload condition
- Optional zinc-plated chain available
- Unlimited lift
- Lifetime warranty
- Metric rated
- Made in U.S.A.



**Optional Load Limiter**



**Optional anchor sling (3/4 and 1 1/2 ton)**



**Latchlok type hook**



**3/4 ton**

## Puller specifications - standard unit

| Rated capacity* (tons) | Product code | Standard lift† (ft.) | Pull to lift full loads (lbs.) | Minimum distance between hooks (in.) | Lever length (in.) | Reeving | Hook throat openings (in.) | Approx. shipping weight (lbs.) |
|------------------------|--------------|----------------------|--------------------------------|--------------------------------------|--------------------|---------|----------------------------|--------------------------------|
| 3/4                    | 4043         | 5                    | 58                             | 10 3/4                               | 21 1/4             | 1       | 1 1/32                     | 16                             |
| 1 1/2                  | 4045         | 5                    | 89                             | 14 1/4                               | 21 1/4             | 1       | 1 1/8                      | 26                             |
| 3                      | 4047         | 5                    | 95                             | 16 15/16                             | 21 1/4             | 2       | 1 7/32                     | 38                             |
| 6                      | 4050         | 5                    | 96                             | 21 3/8                               | 21 1/4             | 4       | 1 3/4                      | 73                             |

† Can be supplied with lifts longer than 5 feet

## Optional kits

| Rated capacity* (tons) | Load Limiter |                                | Load Sentry kit |                    |                                | Anchor sling kit |                                |
|------------------------|--------------|--------------------------------|-----------------|--------------------|--------------------------------|------------------|--------------------------------|
|                        | Product code | Approx. shipping weight (lbs.) | Product code    | Lever length (in.) | Approx. shipping weight (lbs.) | Product code     | Approx. shipping weight (lbs.) |
| 3/4                    | 4190         | 8 1/4                          | 4096            | 23 3/4             | 4 1/2                          | 4071             | 2                              |
| 1 1/2                  | 4191         | 8 1/4                          | 4098            | 23 3/4             | 4 1/2                          | 4072             | 4 3/4                          |
| 3                      | 4191         | 8 1/4                          | 4098            | 23 3/4             | 4 1/2                          | 4072             | 4 3/4                          |
| 6                      | 4191         | 8 1/4                          | 4098            | 23 3/4             | 4 1/2                          | 4072             | 4 3/4                          |

**INDUSTRIAL MAGZA** MEX (55) 53 63 23 31 MTY (81) 83 54 10 18  
 DIST. AUTORIZADO QRO (442) 1 95 72 60 ventas@industrialmagza.com



# Short handle puller

- Easy one-hand operation
- Lever pull range is 45 to 62 pounds to lift full load
- Handle that rotates 360°, making it easy to operate in any position and in small spaces
- Tough yet lightweight aluminum construction and powder coat finish
- Hoistaloy hardened steel load chain for strength, long wear life and flexibility
- Free chaining for fast, easy attachment to load
- Forged upper and lower hooks with latches
- Simple construction with fewer parts for ease of maintenance
- Optional Load Limiter device protects against overload
- Lifetime warranty
- Made in U.S.A.



## Specifications - Short handle puller

| Rated capacity* (tons) | Product code | Standard lift (ft.) | Pull to lift full loads (lbs.) | Minimum distance between hooks (in.) | Lever length (in.) | Reeving | Hook throat openings (in.) | Approx. shipping weight (lbs.) |
|------------------------|--------------|---------------------|--------------------------------|--------------------------------------|--------------------|---------|----------------------------|--------------------------------|
| 3/4                    | 7300P        | 5                   | 45                             | 12 1/4                               | 12                 | 1       | 1 1/32                     | 16                             |
| 1 1/2                  | 7320P        | 5                   | 55                             | 14 3/4                               | 16 3/4             | 1       | 1 1/8                      | 27                             |
| 3                      | 7330P        | 5                   | 62                             | 17 5/8                               | 16 3/4             | 2       | 1 3/16                     | 40                             |

## Specifications - Short handle puller without chain

| Rated capacity* (tons) | Product code | Approx. shipping weight (lbs.) |
|------------------------|--------------|--------------------------------|
| 3/4                    | 7301P        | 12                             |
| 1 1/2                  | 7321P        | 21                             |
| 3                      | 7331P        | 28                             |



Optional Load Limiter



Optional upper Latchlok Hook 3/4 - 1 1/2 ton



Optional anchor sling

## Optional kits

|               | Product code | Approx. shipping weight (lbs.) | Rated capacity* (tons) |
|---------------|--------------|--------------------------------|------------------------|
| Load Limiter  | 7310P        | 1                              | 3/4                    |
|               | 7311P        | 2                              | 1 1/2-3                |
| Anchor Sling  | 7309P        | 2                              | 3/4                    |
|               | 7312P        | 3                              | 1 1/2                  |
| Latchlok Hook | 1001         | 2                              | 3/4                    |
|               | upper 1003   | 2                              | 1 1/2                  |
|               | 1004         | 3                              | 3                      |
| Latchlok Hook | lower 1001   | 2                              | 3/4                    |
|               | 1003         | 2                              | 1 1/2                  |
|               | 1005         | 3                              | 3                      |



Optional upper Latchlok Hook 3 ton



MEX (55) 53 63 23 31 MTY (81) 83 54 10 18  
 QRO (442) 1 95 72 60 ventas@industrialmagza.com

# Rigger lever operated hoist



**Designed for moderate commercial applications, this lightweight, compact tool stores easily and features:**

- Flexible, non-binding CM load chain
- Forged upper and lower hooks with latches standard
- Free-wheeling chain for fast attachment
- Clover leaf chain guides and stripper seat chain in liftwheel reduce chance of jamming
- Unlimited lift by ordering any length chain
- Ratchet, driving pawl and holding pawl for load control
- One lever used to change from lifting to lowering and back to lifting
- Easy maintenance
- One-year warranty
- Metric rated
- Made in U.S.A.

## \* **WARNING**

**Overloading and improper use can result in injury.**

**To avoid injury:**

- Do not exceed working load limit, load rating capacity
- Do not use to lift people or loads over people.
- use only alloy chain for overhead lifting.
- Read and follow all instructions.

### Specifications

| Rated capacity* (tons) | Product code | Standard lift† (ft.) | Reeving | Pull to lift full load (lbs.) | Minimum distance between hooks (in.) | Lever length (in.) | Hook throat openings (in.) | Shipping weight (lbs.) |
|------------------------|--------------|----------------------|---------|-------------------------------|--------------------------------------|--------------------|----------------------------|------------------------|
| 3/4                    | 2301         | 5                    | 1       | 98                            | 10 3/4                               | 15 5/8             | 1 1/32                     | 8 3/4                  |
| 1 1/2                  | 2302         | 5                    | 2       | 98                            | 12 1/2                               | 15 5/8             | 1 1/32                     | 13 3/4                 |

† Can be supplied with lifts longer than 5 feet



MEX (55) 53 63 23 31 MTY (81) 83 54 10 18  
 QRO (442) 1 95 72 60 [ventas@industrialmagza.com](mailto:ventas@industrialmagza.com)

# Wire rope lever hoists



## Engineered for Reliable Operation

- Handle Designed for Overload Protection—Handle bends to warn of hazardous condition and prevent dangerous overload.
- Hooks with Hook Latches—360° swiveling hooks equipped with latches for positive load engagement.
- Meets ANSI Standard B30.21.
- Tested to 125% of Capacity.
- Made in U.S.A.

## Portable and Durable

- Lightweight and Rugged—Special cast aluminum alloy housings.
- Heavy Duty Cable—Utilizes preformed and galvanized 7 x 19 (133 strand) extra flexible aircraft cable.
- Corrosion Resistant—All stainless steel springs and shafts.
- Reduced Wear—All rotating shafts are mounted on bronze bushings.

## Easy to Operate

- Self-storing Cable Drum—Provides compact operation.
- Fast Cable Take-up—Winding wheel provided for quick take-up or positioning of cable.
- Easy Load Positioning—Utilizes a double interlocking pawl system for precise load adjustment.
- Positive Load Holding in All Environments—Provided by double interlocking pawl mechanism.
- Open Construction—Allows for easy cleaning and inspection.

## Special Model Features

- All models are available with Bullard-type hooks.
- CM430CDPA equipped with oversized slip hooks— ideal for opening and closing boxcar doors.

### \* **WARNING**

**Overloading and improper use can result in injury.**

**To avoid injury:**

- Do not exceed working load limit, load rating capacity
- Do not use to lift people or loads over people.
- use only alloy chain for overhead lifting.
- Read and follow all instructions.

Single & Double Line • 1000 - 4000 Lbs.

| Specifications |         | SINGLE LINE     |                                |                                | DOUBLE LINE     |                                |                                | Cable Dia. x Length (In.) (Ft.) | Ship Weight (Lbs.)             |
|----------------|---------|-----------------|--------------------------------|--------------------------------|-----------------|--------------------------------|--------------------------------|---------------------------------|--------------------------------|
| Product Code   | Model   | Capacity (Lbs.) | Lift (Ft.)                     | Hook to Hook (Min.) (In.)      | Capacity (Lbs.) | Lift (Ft.)                     | Hook to Hook (Min.) (in.)      |                                 |                                |
| 04601W         | 115SA   | 1000            | 13 <sup>3</sup> / <sub>4</sub> | 19                             | —               | —                              | —                              | 3/16 x 16                       | 8 <sup>3</sup> / <sub>4</sub>  |
| 04602W         | 115DA   | 1000            | 13 <sup>1</sup> / <sub>2</sub> | 21                             | 2000            | 6 <sup>1</sup> / <sub>2</sub>  | 27                             | 3/16 x 16                       | 10 <sup>1</sup> / <sub>2</sub> |
| 04610W         | 505NA   | 1500            | 13                             | 21                             | —               | —                              | —                              | 1/4 x 15                        | 9 <sup>1</sup> / <sub>2</sub>  |
| 04611W         | 202WNA  | 1500            | 12 <sup>1</sup> / <sub>2</sub> | 21                             | 3000            | 6                              | 27                             | 1/4 x 15                        | 11 <sup>1</sup> / <sub>2</sub> |
| 04620W         | 434WNA  | 1500            | 21 <sup>1</sup> / <sub>2</sub> | 22 <sup>1</sup> / <sub>2</sub> | 3000            | 10 <sup>1</sup> / <sub>4</sub> | 28 <sup>1</sup> / <sub>2</sub> | 1/4 x 24                        | 13 <sup>1</sup> / <sub>4</sub> |
| 04621W         | 430CDPA | 1500            | 21 <sup>1</sup> / <sub>2</sub> | 25                             | 3000            | 10 <sup>1</sup> / <sub>4</sub> | 33 <sup>1</sup> / <sub>2</sub> | 1/4 x 24                        | 16                             |
| 04631W         | 404WNA  | 2000            | 12 <sup>1</sup> / <sub>2</sub> | 22 <sup>1</sup> / <sub>2</sub> | 4000            | 6                              | 28 <sup>1</sup> / <sub>2</sub> | 9/32 x 15                       | 13 <sup>1</sup> / <sub>2</sub> |



MEX (55) 53 63 23 31 MTY (81) 83 54 10 18  
 QRO (442) 1 95 72 60 ventas@industrialmagza.com

# GT Series

## Grip and pull wire rope lever tool

The GT Grip and Pull Lever Tool is a rugged and portable unit designed for heavy duty pulling, rigging, dragging, and stretching applications. Its ability to grip and pull heavy loads over long distances specially suit this tool for use in the construction and transportation industries, as well as hundreds of other industrial applications.

- **CAPACITIES & REACH** - Rated loads from 1 to 3 tons, with standard wire rope length of 32 feet on 1 and 3 ton models; 65 feet on 2 ton model.
- **SMOOTH OPERATION / LOW WEAR** - The large surface area of the the dual clamping jaws provides an evenly distributed grip on the wire rope for smooth operation and low wear.
- **POSITIVE LOAD CONTROL** - The greater the force of the pull, the greater the clamping force of the jaws. Unique jaw design prevents damage to the wire rope.
- **LIMITLESS WIRE ROPE TRAVEL** - Versatility for use over long distances.
- **DURABILITY** - Lightweight and compact design for portability, yet built tough for long life and trouble free service.
- **OVERLOAD PROTECTION** - Easily replaceable, shear pin design to protect against dangerous overloads.
- **TELESCOPIC HANDLE** - Enhances portability and ease of operation.
- **MINIMAL MAINTENANCE** - Periodic cleaning, inspection, and lubrication is all that is required.
- **LIFETIME WARRANTY** - Lifetime warranty against defects in materials and workmanship. Refer to full CM Warranty Statement for details.



### Specifications

| Rated Capacity (Tons) | Model Number | Product Code | Standard Wire Rope Length (Ft.) | Wire Rope Diam. (In.) | Lever Length Extended (In.) | Lever Length Retracted (In.) | Rope Advance † (In.) | Overall Dimensions (In.) | Net Weight* (Lb.) | Net Weight** (Lb.) |
|-----------------------|--------------|--------------|---------------------------------|-----------------------|-----------------------------|------------------------------|----------------------|--------------------------|-------------------|--------------------|
| 1                     | GT-1300-32   | 0013         | 32                              | 3/16                  | 29.1                        | 21.3                         | 1.30                 | 19.7 x 9.1 x 4.0         | 35                | 18                 |
| 2                     | GT-2000-65   | 0020         | 65                              | 7/16                  | 29.1                        | 21.3                         | 1.45                 | 24.8 x 13.0 x 5.9        | 79                | 40                 |
| 3                     | GT-3500-32   | 0035         | 32                              | 5/8                   | 29.1                        | 21.3                         | 0.78                 | 28.6 x 12.8 x 7.0        | 94                | 66                 |

† Per Full Stroke at Rated Load  
\* Wire Rope Included  
\*\* Less Wire Rope

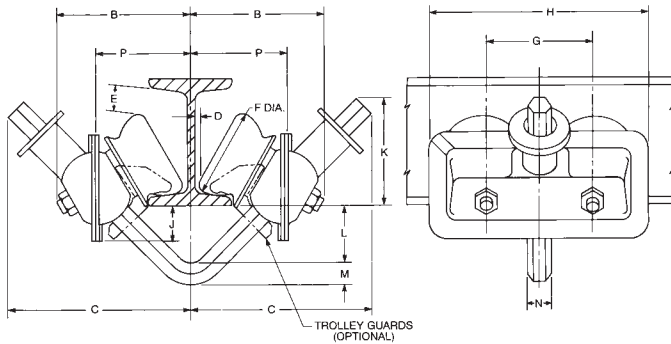


MEX (55) 53 63 23 31 MTY (81) 83 54 10 18  
QRO (442) 1 95 72 60 ventas@industrialmagza.com

# CM Series 632 close radius trolley



With revolutionary advances, this shorter, more compact trolley is 50% lighter than competitive trolleys, yet every bit as tough.



- Negotiates radius curves as tight as 7 to 10 inches
- Made of highest quality rolled steel
- Unique double row, ball bearing wheel design for greater wear capacity
- Larger V-bars available for wider flange adjustment
- For low headroom applications
- Bearings prepacked with lifetime lubricant
- Exclusive Dial-Fit collar quickly adapts trolley to wide range of beams and patented rails
- Dust covers shield and protect bearings
- Trolleys available for larger beams, rails or tracks; contact CM
- Cast iron trolley guards available (except for 3 ton)
- Lifetime warranty
- Made in U.S.A.

## Clearance dimensions (in.)

| Dimension               | Rated capacity* (tons) |        |           |         |
|-------------------------|------------------------|--------|-----------|---------|
|                         | 1/4 & 1/2              | 1      | 1 1/2 & 2 | 3       |
| Min. radius curve (in.) | 7                      | 7      | 10        | 10      |
| B                       | 4 1/4                  | 4 3/8  | 5 5/8     | 6 3/16  |
| C                       | 5 7/8                  | 6      | 7 1/2     | 8 1/16  |
| D                       | 3/16                   | 3/16   | 3/8       | 1 1/16  |
| E                       | 1 3/16                 | 1 3/16 | 2 3/16    | 4 1/16  |
| F                       | 2 3/4                  | 2 3/4  | 3 1/2     | 3 1/2   |
| G                       | 3 3/8                  | 3 3/8  | 4 1/2     | 4 1/2   |
| H                       | 7                      | 7      | 9         | 9       |
| J                       | 1 1/8                  | 1 1/8  | 1 1/2     | 1 5/8   |
| K                       | 3 3/8                  | 3 1/2  | 4 3/8     | 4 13/16 |
| L                       | 1 13/16                | 1 5/8  | 2         | 2 5/8   |
| M                       | 1 1/16                 | 7/8    | 1 1/8     | 1 1/8   |
| N                       | 7/8                    | 1      | 1 1/4     | 1 1/4   |
| P                       | 3                      | 3 1/8  | 3 7/8     | 4 15/16 |

Dimensions given are for minimum S-beam and will vary with larger beams.

**\* ⚠ WARNING**

**Overloading and improper use can result in injury.**

**To avoid injury:**

- Do not exceed working load limit, load rating capacity
- Do not use to lift people or loads over people.
- use only alloy chain for overhead lifting.
- Read and follow all instructions.

## Specifications

| Rated capacity* (tons) | Product code | Adj. for standard S-beams |                    |                      |                   |                        |                            |
|------------------------|--------------|---------------------------|--------------------|----------------------|-------------------|------------------------|----------------------------|
|                        |              | Depth of beam (in.)       | Flange width (in.) | Tread diameter (in.) | Net weight (lbs.) | Shipping weight (lbs.) | Minimum radius curve (in.) |
| 1/4-1/2                | 3222         | 4-12                      | 2 5/8-5 1/16       | 2 3/4                | 9                 | 10                     | 7                          |
| 1                      | 3224         | 4-12                      | 2 5/8-5 1/16       | 2 3/4                | 10                | 12                     | 7                          |
| 1 1/2-2                | 3226         | 6-15                      | 3 3/8-5 5/8        | 3 1/2                | 23                | 25                     | 10                         |
| 3                      | 3230         | 8-18                      | 4-6 1/4            | 3 1/2                | 29                | 33                     | 10                         |

All capacities can be supplied for S-beams larger than listed and also for wide flange beams, rails or tracks with approximately equivalent flange widths.

# Series 84A plain or geared trolley

Manufactured for heavy duty, industrial grade applications. CM Series 84A trolleys feature fully sealed, precision bearings, heavy duty side frames and fully machined wheel tread for superior performance and *long life — with minimal maintenance.*



- Available in capacities from 1/4 through 25 ton with 30 through 50 ton trolleys available as tandem construction.
- Lifetime lubricated, precision ball bearings on trolleys through 3 ton capacity. Trolleys with capacities 4 tons and greater are equipped with eight sealed, Timken tapered roller bearings and grease fittings.
- Heavy rolled steel side frames extend beyond the wheels to provide these trolleys with superior strength, rigidity and added protection for the trackwheels. Units with capacities from 1/4 through 12 tons employ universal wheel treads for use on flat or tapered beam flanges. Units with capacities from 16 through 25 tons operate on American Standard I-beams with tapered flanges. For patented track, consult factory.
- Trolley wheels are fully machined from alloy cast iron and hardened for high strength and long life.
- Alloy steel axles and equalizer pins are heat treated for maximum strength and wear life.
- Geared versions have fully machined trackwheel gears and incorporate a swinging chain guide which keeps the hand chain aligned and free from jamming.
- Available to fit a broad range of wider flange beams and patented track applications not listed - contact factory.
- Made in the USA
- Spark resistant models available — add suffix “SR”

## Specifications

| Product code | Rated capacity (tons) | Beam height (in.) | Flange width (in.) | Minimum radius curve (in.) | Approximate net weight |          |
|--------------|-----------------------|-------------------|--------------------|----------------------------|------------------------|----------|
|              |                       |                   |                    |                            | Plain                  | † Geared |
| 1641-0025    | 1/4                   | 4 - 12            | 2.66 - 5.00        | 20                         | 23                     | 38       |
| 1641-0050    | 1/2                   | 4 - 12            | 2.66 - 5.00        | 20                         | 23                     | 38       |
| 1641-0100    | 1                     | 5 - 12            | 3.00 - 6.00        | 24                         | 43                     | 62       |
| 1641-0150    | 1 1/2                 | 5 - 12            | 3.00 - 6.00        | 24                         | 45                     | 65       |
| 1641-0200    | 2                     | 6 - 18            | 3.33 - 6.25        | 30                         | 67                     | 90       |
| 1641-0300    | 3                     | 6 - 18            | 3.33 - 6.25        | 30                         | 70                     | 93       |
| 1641-0400    | 4                     | 8 - 24            | 4.00 - 7.00        | 36                         | 155                    | 184      |
| 1641-0500    | 5                     | 8 - 24            | 4.00 - 7.00        | 36                         | 160                    | 188      |
| 1641-0600    | 6                     | 8 - 24            | 4.00 - 7.00        | 36                         | 160                    | 188      |
| 1641-0800    | 8                     | 10 - 24           | 4.62 - 8.00        | 60                         | 300                    | 347      |
| 1641-1000    | 10                    | 10 - 24           | 4.62 - 8.00        | 60                         | 310                    | 360      |
| 1641-1200    | 12                    | 10 - 24           | 4.62 - 8.00        | 60                         | 310                    | 360      |
| 1631-1600    | 16                    | 18 - 24           | 6.00 - 8.00        | 96                         | 800                    | 895      |
| 1631-2000    | 20                    | 18 - 24           | 6.00 - 8.00        | 96                         | 845                    | 955      |
| 1631-2500    | 25                    | 18 - 24           | 6.00 - 8.00        | 120                        | 1045                   | 1200     |

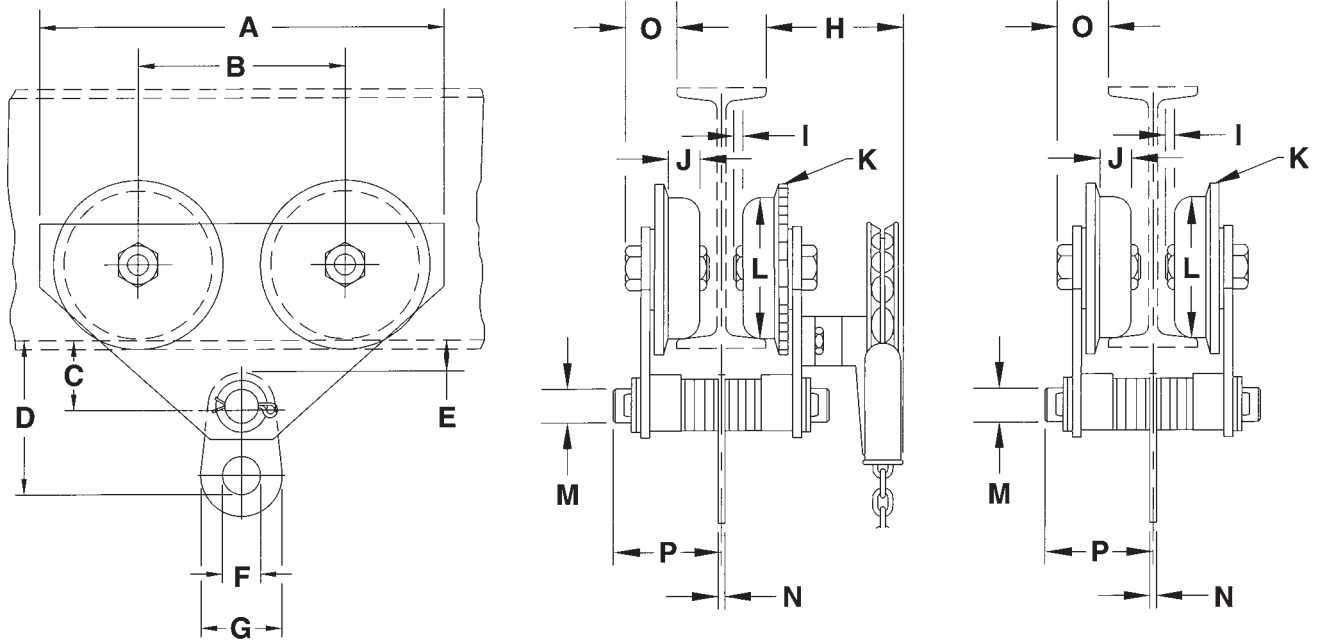
For wide flange beam adaptation, patented track or for beams larger than standard - contact factory.

† Weight less hand chain. **8 Ft. standard zinc plated hand chain drop on geared trolley.** Specify curve on order.



MEX (55) 53 63 23 31 MTY (81) 83 54 10 18  
 QRO (442) 1 95 72 60 ventas@industrialmagza.com

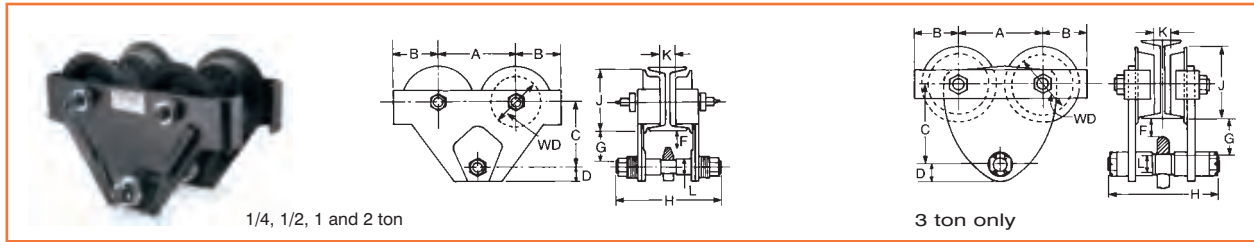
# Series 84A plain or geared trolley-Specifications



| Cap.<br>(tons) | A      | B      | C     | D      | E     | F     | G     | H      | I    | J       | K      | L      | M     | N     | O     | P     |
|----------------|--------|--------|-------|--------|-------|-------|-------|--------|------|---------|--------|--------|-------|-------|-------|-------|
| 1/4            | 11 1/2 | 6      | 1 7/8 | 4 7/8  | 7/8   | 1 3/4 | 2 3/4 | 6      | —    | 7/8     | 4      | 2 7/8  | 1     | 1/4   | 2     | 4 1/8 |
| 1/2            | 11 1/2 | 6      | 1 7/8 | 4 7/8  | 7/8   | 1 3/4 | 2 3/4 | 6      | —    | 7/8     | 4      | 2 7/8  | 1     | 1/4   | 2     | 4 1/8 |
| 1              | 13 1/4 | 6 3/4  | 2 1/4 | 5 3/8  | 1     | 1 3/4 | 3     | 6 1/8  | —    | 1 1/8   | 5      | 3 3/4  | 1 1/4 | 1/4   | 13/4  | 4 3/4 |
| 1 1/2          | 13 1/4 | 6 3/4  | 2 1/4 | 5 3/8  | 1     | 2     | 3 1/4 | 6 1/8  | —    | 1 1/8   | 5      | 3 3/4  | 1 1/4 | 3/8   | 13/4  | 4 3/4 |
| 2              | 15 5/8 | 7 5/8  | 2 5/8 | 6 3/4  | 1 1/8 | 2 1/8 | 3 5/8 | 6 1/8  | —    | 1 1/8   | 6      | 4 1/2  | 1 1/2 | 3/8   | 2 1/8 | 5 1/4 |
| 3              | 15 5/8 | 7 5/8  | 2 5/8 | 6 7/8  | 1 1/8 | 2 1/4 | 4     | 6 1/8  | —    | 1 1/8   | 6      | 4 1/2  | 1 1/2 | 1/2   | 2 1/8 | 5 1/4 |
| 4              | 18 3/4 | 8 1/2  | 3 1/4 | 8 3/8  | 1 1/4 | 2 3/4 | 4 3/4 | 8 1/8  | 1/8  | 1 3/8   | 8      | 6 3/8  | 2     | 5/8   | 2 5/8 | 6 1/8 |
| 5              | 18 3/4 | 8 1/2  | 3 1/4 | 8 5/8  | 1 1/4 | 3     | 5 1/2 | 8 1/8  | 1/8  | 1 3/8   | 8      | 6 3/8  | 2     | 5/8   | 2 5/8 | 6 1/8 |
| 6              | 18 3/4 | 8 1/2  | 3 1/4 | 8 5/8  | 1 1/4 | 3     | 5 1/2 | 8 1/8  | 1/8  | 1 3/8   | 8      | 6 3/8  | 2     | 5/8   | 2 5/8 | 6 1/8 |
| 8              | 23 5/8 | 10 5/8 | 3 7/8 | 10 5/8 | 1 3/8 | 3 1/2 | 6 1/2 | 9      | 1/8  | 1 11/16 | 10     | 8 1/4  | 2 1/2 | 3/4   | 3 1/4 | 6 7/8 |
| 10             | 23 5/8 | 10 5/8 | 3 7/8 | 11 1/8 | 1 3/8 | 4 1/2 | 8     | 9      | 1/8  | 1 11/16 | 10     | 8 1/4  | 2 1/2 | 1     | 3 1/4 | 6 7/8 |
| 12             | 23 5/8 | 10 5/8 | 3 7/8 | 11 1/8 | 1 3/8 | 4 1/2 | 8     | 9      | 1/8  | 1 11/16 | 10     | 8 1/4  | 2 1/2 | 1     | 3 1/4 | 6 7/8 |
| 16             | 28 1/4 | 14     | 5 7/8 | 15 1/4 | 2 1/2 | 4     | 9     | 14 1/2 | 5/16 | 2       | 13 1/2 | 11 3/4 | 3 1/4 | 1 1/2 | 7     | 8     |
| 20             | 28 1/4 | 14     | 5 7/8 | 16 5/8 | 2 1/2 | 4     | 10    | 14 1/2 | 5/16 | 2       | 13 1/2 | 11 3/4 | 3 1/4 | 13/4  | 7     | 8 1/4 |
| 25             | 28 1/4 | 14     | 5 7/8 | 16 3/4 | 2 1/8 | 4     | 10    | 14 1/2 | 5/16 | 2       | 13 1/2 | 11 3/4 | 3 1/4 | 13/4  | 7     | 8 1/4 |

**Notes:** All dimensions are in inches.  
 Wheels with convex treads are standard on all capacities.  
 20, 25, 30 and 40 ton trolleys can be furnished in tandem construction - Dimensions for 30 through 50 ton units available upon request.  
 Dimensions shown are for minimum beam size and will vary proportionately for larger beams.

# Series 80 trolley for hook mounted hoists push type



## Hook Suspension

- Available in 1/4 ton to 3 ton capacities
- Can be used with any hook suspended hoist
- Runs on either American Standard or wide flange shapes.

- Trolley side frames feature all steel construction for strength and durability
- Steel wheels with hardened treads and ball bearings provide easy and long life
- Hand geared trolleys are ideal for accurate positioning and long lifts

## Rigid Mount

- For use with lug suspended hoists such as the CM AirStar or AirStar 6
- Available in 1/2 to 3 ton Trolleys attach directly to the lug brackets on the hoist

- Offers minimum headroom
- Push, hand geared, or motorized models available
- On hand geared models, anti-tilt rollers eliminate the tilting of the trolley when operating with a light load
- Features a lifetime warranty and are made in U.S.A.

## Clearance dimensions (in.)

| Rated capacity* (tons) | Product code | A                             | B                               | C                             | D                               | WD                              | † Min. F                       | G                               | H                              | J                               | ** Min. K                       | L                               |
|------------------------|--------------|-------------------------------|---------------------------------|-------------------------------|---------------------------------|---------------------------------|--------------------------------|---------------------------------|--------------------------------|---------------------------------|---------------------------------|---------------------------------|
| 1/4                    | 80           | 4 <sup>3</sup> / <sub>8</sub> | 2 <sup>13</sup> / <sub>16</sub> | 4 <sup>1</sup> / <sub>8</sub> | 1                               | 3 <sup>1</sup> / <sub>8</sub>   | 3/4                            | 1 <sup>13</sup> / <sub>16</sub> | 7 <sup>9</sup> / <sub>16</sub> | 3 <sup>15</sup> / <sub>16</sub> | 1 <sup>1</sup> / <sub>16</sub>  | 7/8                             |
|                        | 80WFA        | 4 <sup>3</sup> / <sub>8</sub> | 2 <sup>13</sup> / <sub>16</sub> | 4 <sup>1</sup> / <sub>8</sub> | 1                               | 3 <sup>1</sup> / <sub>8</sub>   | 3/4                            | 1 <sup>13</sup> / <sub>16</sub> | 9 <sup>7</sup> / <sub>8</sub>  | 3 <sup>15</sup> / <sub>16</sub> | 3 <sup>1</sup> / <sub>16</sub>  | 7/8                             |
| 1/2                    | 81           | 4 <sup>3</sup> / <sub>8</sub> | 2 <sup>13</sup> / <sub>16</sub> | 4 <sup>1</sup> / <sub>8</sub> | 1                               | 3 <sup>1</sup> / <sub>8</sub>   | 3/4                            | 1 <sup>13</sup> / <sub>16</sub> | 7 <sup>9</sup> / <sub>16</sub> | 3 <sup>15</sup> / <sub>16</sub> | 1 <sup>1</sup> / <sub>16</sub>  | 7/8                             |
|                        | 81WFA        | 4 <sup>3</sup> / <sub>8</sub> | 2 <sup>13</sup> / <sub>16</sub> | 4 <sup>1</sup> / <sub>8</sub> | 1                               | 3 <sup>1</sup> / <sub>8</sub>   | 3/4                            | 1 <sup>13</sup> / <sub>16</sub> | 9 <sup>7</sup> / <sub>8</sub>  | 3 <sup>15</sup> / <sub>16</sub> | 3 <sup>1</sup> / <sub>16</sub>  | 7/8                             |
| 1                      | 82           | 6 <sup>1</sup> / <sub>8</sub> | 3 <sup>9</sup> / <sub>16</sub>  | 5 <sup>1</sup> / <sub>8</sub> | 1 <sup>1</sup> / <sub>8</sub>   | 4                               | 1 <sup>1</sup> / <sub>16</sub> | 2 <sup>1</sup> / <sub>4</sub>   | 8 <sup>1</sup> / <sub>4</sub>  | 4 <sup>7</sup> / <sub>8</sub>   | 1 <sup>3</sup> / <sub>16</sub>  | 1                               |
|                        | 82WFA        | 6 <sup>1</sup> / <sub>8</sub> | 3 <sup>9</sup> / <sub>16</sub>  | 5 <sup>1</sup> / <sub>8</sub> | 1 <sup>1</sup> / <sub>8</sub>   | 4                               | 1                              | 2 <sup>3</sup> / <sub>16</sub>  | 10 <sup>3</sup> / <sub>8</sub> | 4 <sup>7</sup> / <sub>8</sub>   | 2 <sup>13</sup> / <sub>16</sub> | 1                               |
|                        | 82WFB        | 6 <sup>1</sup> / <sub>8</sub> | 3 <sup>9</sup> / <sub>16</sub>  | 5 <sup>1</sup> / <sub>8</sub> | 1 <sup>1</sup> / <sub>8</sub>   | 4                               | 1                              | 2 <sup>3</sup> / <sub>16</sub>  | 12 <sup>3</sup> / <sub>8</sub> | 4 <sup>7</sup> / <sub>8</sub>   | 4 <sup>13</sup> / <sub>16</sub> | 1                               |
| 2                      | 83           | 6 <sup>7</sup> / <sub>8</sub> | 3 <sup>13</sup> / <sub>16</sub> | 5 <sup>3</sup> / <sub>4</sub> | 1 <sup>5</sup> / <sub>16</sub>  | 4 <sup>15</sup> / <sub>16</sub> | 1 <sup>3</sup> / <sub>16</sub> | 2 <sup>1</sup> / <sub>4</sub>   | 8 <sup>3</sup> / <sub>4</sub>  | —                               | 3/4                             | 1 <sup>1</sup> / <sub>8</sub>   |
|                        | 83WFA        | 6 <sup>7</sup> / <sub>8</sub> | 3 <sup>13</sup> / <sub>16</sub> | 5 <sup>3</sup> / <sub>4</sub> | 1 <sup>5</sup> / <sub>16</sub>  | 4 <sup>15</sup> / <sub>16</sub> | 3/4                            | 2 <sup>3</sup> / <sub>16</sub>  | 10 <sup>3</sup> / <sub>4</sub> | —                               | 3 <sup>3</sup> / <sub>8</sub>   | 1 <sup>1</sup> / <sub>4</sub>   |
|                        | 83WFB        | 6 <sup>7</sup> / <sub>8</sub> | 3 <sup>13</sup> / <sub>16</sub> | 5 <sup>3</sup> / <sub>4</sub> | 1 <sup>5</sup> / <sub>16</sub>  | 4 <sup>15</sup> / <sub>16</sub> | 3/4                            | 2 <sup>3</sup> / <sub>16</sub>  | 12 <sup>3</sup> / <sub>4</sub> | —                               | 5 <sup>3</sup> / <sub>8</sub>   | 1 <sup>1</sup> / <sub>4</sub>   |
| 3                      | 905480       | 6 <sup>7</sup> / <sub>8</sub> | 4 <sup>3</sup> / <sub>8</sub>   | 1 <sup>5</sup> / <sub>8</sub> | 4 <sup>15</sup> / <sub>16</sub> | 4 <sup>15</sup> / <sub>16</sub> | 9/16                           | 2 <sup>3</sup> / <sub>8</sub>   | 12                             | 6                               | 1 <sup>1</sup> / <sub>4</sub>   | 1 <sup>13</sup> / <sub>32</sub> |
|                        | 905481       | 6 <sup>7</sup> / <sub>8</sub> | 4 <sup>3</sup> / <sub>8</sub>   | 1 <sup>5</sup> / <sub>8</sub> | 4 <sup>15</sup> / <sub>16</sub> | 4 <sup>15</sup> / <sub>16</sub> | 9/16                           | 2 <sup>3</sup> / <sub>8</sub>   | 14 <sup>3</sup> / <sub>4</sub> | 6                               | 4 <sup>1</sup> / <sub>4</sub>   | 1 <sup>13</sup> / <sub>32</sub> |
|                        | 905482       | 6 <sup>7</sup> / <sub>8</sub> | 4 <sup>3</sup> / <sub>8</sub>   | 1 <sup>5</sup> / <sub>8</sub> | 4 <sup>15</sup> / <sub>16</sub> | 4 <sup>15</sup> / <sub>16</sub> | 9/16                           | 2 <sup>3</sup> / <sub>8</sub>   | 17 <sup>5</sup> / <sub>8</sub> | 6                               | 7                               | 1 <sup>13</sup> / <sub>32</sub> |

† Clearance dimensions "F" and "G" are based on the largest beam on which trolley will operate. Dimension increases slightly for each smaller beam size.

\*\*Dimension "K" occurs on smallest beam size only. On larger beams it is increased by the difference in flange width.

## Specifications

| Rated capacity* (tons) | Product code | Min. beam depth (in.) | Min. radius curve | Adj. flange width (in.)                                      | Approx. net weight (lbs.) |
|------------------------|--------------|-----------------------|-------------------|--|---------------------------|
| 1/4                    | 80           | 4                     | 2'-6"             | 2 <sup>5</sup> / <sub>8</sub> -4 <sup>5</sup> / <sub>8</sub> | 13                        |
|                        | 80WFA        | 4                     | 2'-6"             | 5-7  | 14                        |
| 1/2                    | 81           | 4                     | 2'-6"             | 2 <sup>5</sup> / <sub>8</sub> -4 <sup>5</sup> / <sub>8</sub> | 13                        |
|                        | 81WFA        | 4                     | 2'-6"             | 5-7  | 14                        |
| 1                      | 82           | 5                     | 3'-0"             | 3-5  | 25                        |
|                        | 82WFA        | 5                     | 3'-0"             | 5-7  | 26                        |
|                        | 82WFB        | 5                     | 3'-0"             | 7-9  | 27                        |
| 2                      | 83           | 6                     | 4'-0"             | 3 <sup>3</sup> / <sub>8</sub> -6                             | 35                        |
|                        | 83WFA        | 6                     | 4'-0"             | 6-8  | 36                        |
|                        | 83WFB        | 6                     | 4'-0"             | 8-10   | 37                        |
| 3                      | 905480       | 6                     | 4'-0"             | 3 <sup>3</sup> / <sub>8</sub> -6                             | 41                        |
|                        | 905481       | 6                     | 4'-0"             | 6 <sup>1</sup> / <sub>8</sub> -8 <sup>7</sup> / <sub>8</sub> | 43                        |
|                        | 905482       | 6                     | 4'-0"             | 9-11   | 44                        |

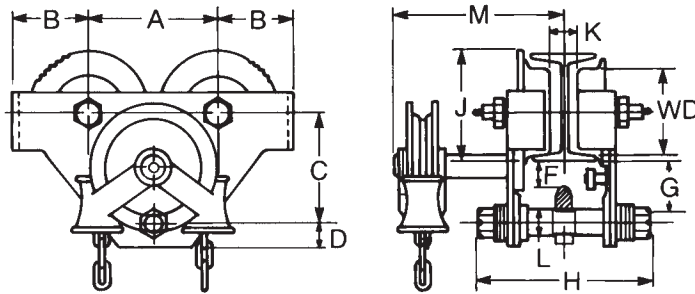


MEX (55) 53 63 23 31 MTY (81) 83 54 10 18  
 QRO (442) 1 95 72 60 ventas@industrialmagza.com



# Series 80 trolley for hook mounted hoists hand geared

- Made in U.S.A.



1, 2 and 3 ton

## Clearance dimensions (in.)

| Rated capacity* (tons) | Product code | A                             | B                               | C                             | D                             | WD                              | † Min. F                       | G                               | H                              | J                              | ** Min. K                       | L                               | M                                |
|------------------------|--------------|-------------------------------|---------------------------------|-------------------------------|-------------------------------|---------------------------------|--------------------------------|---------------------------------|--------------------------------|--------------------------------|---------------------------------|---------------------------------|----------------------------------|
| 1                      | 82G          | 6 <sup>1</sup> / <sub>8</sub> | 3 <sup>9</sup> / <sub>16</sub>  | 5 <sup>1</sup> / <sub>8</sub> | 1 <sup>1</sup> / <sub>8</sub> | 4                               | 1 <sup>1</sup> / <sub>16</sub> | 2 <sup>1</sup> / <sub>4</sub>   | 8 <sup>1</sup> / <sub>4</sub>  | 4 <sup>7</sup> / <sub>8</sub>  | 1 <sup>3</sup> / <sub>16</sub>  | 1                               | —                                |
| 1                      | 82GWFA       | 6 <sup>1</sup> / <sub>8</sub> | 3 <sup>9</sup> / <sub>16</sub>  | 5 <sup>1</sup> / <sub>8</sub> | 1 <sup>1</sup> / <sub>8</sub> | 4                               | 1                              | 2 <sup>13</sup> / <sub>16</sub> | 10 <sup>3</sup> / <sub>8</sub> | 5 <sup>1</sup> / <sub>2</sub>  | 2 <sup>13</sup> / <sub>16</sub> | 1                               | 11 <sup>15</sup> / <sub>16</sub> |
| 1                      | 82GWFB       | 6 <sup>1</sup> / <sub>8</sub> | 3 <sup>9</sup> / <sub>16</sub>  | 5 <sup>1</sup> / <sub>8</sub> | 1 <sup>1</sup> / <sub>8</sub> | 4                               | 1                              | 2 <sup>13</sup> / <sub>16</sub> | 12 <sup>3</sup> / <sub>8</sub> | 5 <sup>1</sup> / <sub>2</sub>  | 4 <sup>13</sup> / <sub>16</sub> | 1                               | 11 <sup>15</sup> / <sub>16</sub> |
| 2                      | 83G          | 6 <sup>7</sup> / <sub>8</sub> | 3 <sup>13</sup> / <sub>16</sub> | 5 <sup>3</sup> / <sub>4</sub> | 1 <sup>5</sup> / <sub>8</sub> | 4 <sup>15</sup> / <sub>16</sub> | 1 <sup>3</sup> / <sub>16</sub> | 2 <sup>1</sup> / <sub>4</sub>   | 8 <sup>3</sup> / <sub>4</sub>  | 6 <sup>5</sup> / <sub>16</sub> | 3 <sup>4</sup> / <sub>8</sub>   | 1 <sup>1</sup> / <sub>8</sub>   | 10 <sup>9</sup> / <sub>16</sub>  |
| 2                      | 83GWFA       | 6 <sup>7</sup> / <sub>8</sub> | 3 <sup>13</sup> / <sub>16</sub> | 5 <sup>3</sup> / <sub>4</sub> | 1 <sup>5</sup> / <sub>8</sub> | 4 <sup>15</sup> / <sub>16</sub> | 3 <sup>4</sup> / <sub>8</sub>  | 2 <sup>3</sup> / <sub>16</sub>  | 10 <sup>3</sup> / <sub>4</sub> | 6 <sup>5</sup> / <sub>16</sub> | 3 <sup>3</sup> / <sub>8</sub>   | 1 <sup>1</sup> / <sub>4</sub>   | 11 <sup>7</sup> / <sub>8</sub>   |
| 2                      | 83GWFB       | 6 <sup>7</sup> / <sub>8</sub> | 3 <sup>13</sup> / <sub>16</sub> | 5 <sup>3</sup> / <sub>4</sub> | 1 <sup>5</sup> / <sub>8</sub> | 4 <sup>15</sup> / <sub>16</sub> | 3 <sup>4</sup> / <sub>8</sub>  | 2 <sup>3</sup> / <sub>16</sub>  | 12 <sup>3</sup> / <sub>4</sub> | 6 <sup>5</sup> / <sub>16</sub> | 5 <sup>3</sup> / <sub>8</sub>   | 1 <sup>1</sup> / <sub>4</sub>   | 12 <sup>7</sup> / <sub>16</sub>  |
| 3                      | 905490       | 6 <sup>7</sup> / <sub>8</sub> | 4 <sup>3</sup> / <sub>16</sub>  | 6                             | 1 <sup>5</sup> / <sub>8</sub> | 4 <sup>15</sup> / <sub>16</sub> | 9 <sup>1</sup> / <sub>16</sub> | 2 <sup>3</sup> / <sub>8</sub>   | 12                             | 6 <sup>5</sup> / <sub>16</sub> | 1 <sup>1</sup> / <sub>4</sub>   | 1 <sup>13</sup> / <sub>32</sub> | 8 <sup>5</sup> / <sub>16</sub>   |
| 3                      | 905491       | 6 <sup>7</sup> / <sub>8</sub> | 4 <sup>3</sup> / <sub>16</sub>  | 6                             | 1 <sup>5</sup> / <sub>8</sub> | 4 <sup>15</sup> / <sub>16</sub> | 9 <sup>1</sup> / <sub>16</sub> | 2 <sup>3</sup> / <sub>8</sub>   | 14 <sup>3</sup> / <sub>4</sub> | 6 <sup>5</sup> / <sub>16</sub> | 4 <sup>1</sup> / <sub>4</sub>   | 1 <sup>13</sup> / <sub>32</sub> | 19 <sup>13</sup> / <sub>16</sub> |
| 3                      | 905492       | 6 <sup>7</sup> / <sub>8</sub> | 4 <sup>3</sup> / <sub>16</sub>  | 6                             | 1 <sup>5</sup> / <sub>8</sub> | 4 <sup>15</sup> / <sub>16</sub> | 9 <sup>1</sup> / <sub>16</sub> | 2 <sup>3</sup> / <sub>8</sub>   | 17 <sup>5</sup> / <sub>8</sub> | 6 <sup>5</sup> / <sub>16</sub> | 7                               | 1 <sup>13</sup> / <sub>32</sub> | 21 <sup>3</sup> / <sub>16</sub>  |

†Clearance dimensions "F" and "G" are based on the largest beam on which trolley will operate. Dimension increases slightly for each smaller beam size.

\*\*Dimension "K" occurs on smallest beam size only. On larger beams it is increased by the difference in flange width.

## Specifications

| Rated capacity* (tons) | Product code | Min. beam depth (in.) | Min. radius curve | Adj. flange width (in.)                                      | Approx. net weight (lbs.) |
|------------------------|--------------|-----------------------|-------------------|--|---------------------------|
| 1                      | 82G          | 5                     | 3'-0"             | 3-5  | 25                        |
| 1                      | 82GWFA       | 5                     | 3'-0"             | 5-7  | 26                        |
| 1                      | 82GWFB       | 5                     | 3'-0"             | 7-9  | 27                        |
| 2                      | 83G          | 6                     | 4'-0"             | 3 <sup>3</sup> / <sub>8</sub> -6                             | 35                        |
| 2                      | 83GWFA       | 6                     | 4'-0"             | 6-8  | 36                        |
| 2                      | 83GWFB       | 6                     | 4'-0"             | 8-10   | 37                        |
| 3                      | 905490       | 6                     | 4'-0"             | 3 <sup>3</sup> / <sub>8</sub> -6                             | 41                        |
| 3                      | 905491       | 6                     | 4'-0"             | 6 <sup>1</sup> / <sub>8</sub> -8 <sup>7</sup> / <sub>8</sub> | 43                        |
| 3                      | 905492       | 6                     | 4'-0"             | 9-11   | 44                        |

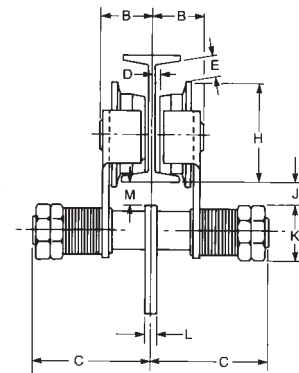
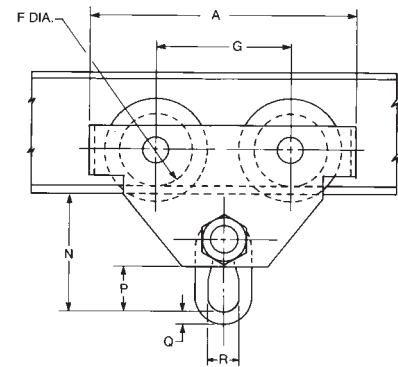


MEX (55) 53 63 23 31 MTY (81) 83 54 10 18  
 QRO (442) 1 95 72 60 ventas@industrialmagza.com

# CM Series 633 wide range trolley

Simple, rugged, built for trouble-free service and ease of operation across a wide range of beam applications. Series 633 features:

- Rugged steel side plates formed to include bumpers and trolley guards
- Frames connected by steel equalizer pin, secured by two nuts on each side
- Universal tread flanged trackwheels equipped with shielded ball bearings
- Easy rolling on American standard shapes, wide flange shapes or patented rail
- Hardened wheels and axles for added strength and durability
- Spacer washers can be shifted inside or outside for easy adjustment to wide range of beams
- To be used with hook suspended hoist
- Suspension plate for easy attachment is standard
- Bearings prepacked with lifetime lubricant
- One-year warranty
- Imported



## Clearance dimensions (in.)

| Dimension               | Rated capacity* (tons) |          |         |          |         |
|-------------------------|------------------------|----------|---------|----------|---------|
|                         | 1/2                    | 1        | 2       | 3        | 5       |
| Min. radius curve (in.) | 35                     | 35       | 59      | 71       | 94      |
| A                       | 8 1/2                  | 10 13/16 | 12 7/32 | 14 13/16 | 18 1/8  |
| B**                     | 2 5/32                 | 2 13/32  | 2 11/16 | 3 1/16   | 3 21/32 |
| C                       | 5 1/16                 | 6 9/16   | 6 25/32 | 7 13/32  | 8       |
| D**                     | 1/16                   | 7/16     | 13/32   | 1/2      | 9/16    |
| E**                     | -1/4                   | 11/32    | 25/32   | 17/16    | 23/16   |
| F                       | 2 9/32                 | 3 15/32  | 3 15/16 | 5 1/8    | 6 1/8   |
| G                       | 4                      | 4 7/8    | 5 1/2   | 6 9/16   | 7 7/8   |
| H**                     | 3                      | 4 11/32  | 4 29/32 | 6 1/8    | 7 9/32  |
| J**                     | 1 1/32                 | 1 1/32   | 25/32   | 13/16    | 2 1/8   |
| K                       | 1 3/4                  | 2 3/32   | 2 1/2   | 3 13/32  | 3 13/32 |
| L                       | 1/2                    | 1/2      | 5/8     | 5/8      | 13/16   |
| M**                     | 15/16                  | 3 1/32   | 5/16    | 15/16    | 1 7/16  |
| N**                     | 4 3/32                 | 5 1/16   | 5 13/16 | 7 7/16   | 9 15/16 |
| P                       | 1 7/32                 | 1 3/4    | 2 5/32  | 2 9/16   | 3 23/32 |
| Q                       | 1 9/32                 | 1 9/32   | 1 3/16  | 1 3/8    | 1 25/32 |
| R                       | 3 1/32                 | 1 5/32   | 1 5/8   | 1 31/32  | 2 9/16  |

\*\*Dimensions given are for minimum S-beam and will vary with larger beams.

## Specifications

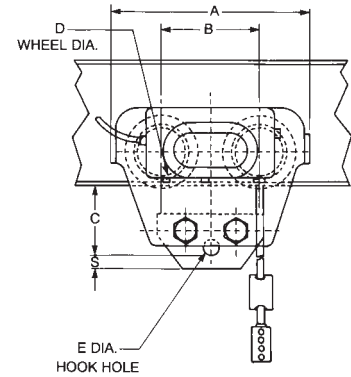
| Rated capacity* (tons) | Product code | Adj. for standard S-beams |                    |                      | Net weight (lbs.) | Shipping weight (lbs.) |
|------------------------|--------------|---------------------------|--------------------|----------------------|-------------------|------------------------|
|                        |              | Depth of beam (in.)       | Flange width (in.) | Tread diameter (in.) |                   |                        |
| 1/2                    | 3302         | 3-15                      | 2 1/2-5 5/8        | 2 9/32               | 15                | 17                     |
| 1                      | 3304         | 5-24                      | 3-8                | 3 15/32              | 34                | 36                     |
| 2                      | 3306         | 6-24                      | 3 5/8-8            | 3 15/16              | 50                | 53                     |
| 3                      | 3307         | 8-24                      | 4-8                | 5 1/8                | 95                | 100                    |
| 5                      | 3309         | 10-24                     | 4 5/8-8            | 6 1/8                | 172               | 175                    |



MEX (55) 53 63 23 31 MTY (81) 83 54 10 18  
 QRO (442) 1 95 72 60 ventas@industrialmagza.com

# RailStar motor driven trolley

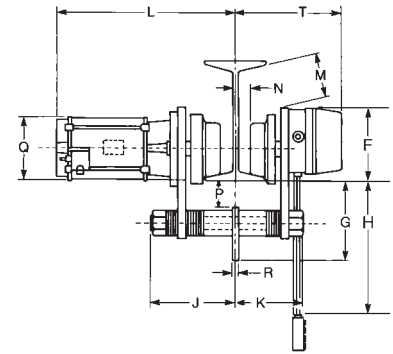
- Fits wide range of beam sizes for maximum versatility
- Universal use with any hook suspended single speed hoists that are equipped with reversing contactor
- Steel plate side frames
- Steel spur gearing for optimum strength and smooth operation
- Durable hardened cast iron track-wheels that operate on standard S-beams or flat flanged beams
- Lifetime lubricated double row ball bearings for high efficiency, low maintenance
- Cast iron control enclosure
- Four-button control station included for operating single speed hoist. Drop proportioned to 20' lift
- 115 volt control circuit
- Trolley guards standard
- One-year warranty
- Metric rated
- Imported



## Clearance dimensions (in.)

| Dimension      | Rated capacity* (tons)          |                                 |
|----------------|---------------------------------|---------------------------------|
|                | 1/8 - 2                         | 3                               |
| A              | 12 <sup>3</sup> / <sub>4</sub>  | 14 <sup>1</sup> / <sub>8</sub>  |
| B              | 6 <sup>3</sup> / <sub>8</sub>   | 6 <sup>3</sup> / <sub>4</sub>   |
| C**            | 4 <sup>13</sup> / <sub>16</sub> | 5 <sup>1</sup> / <sub>4</sub>   |
| D              | 3 <sup>9</sup> / <sub>16</sub>  | 3 <sup>15</sup> / <sub>16</sub> |
| E              | 2 <sup>9</sup> / <sub>16</sub>  | 2 <sup>15</sup> / <sub>16</sub> |
| F**            | 4 <sup>3</sup> / <sub>4</sub>   | 5 <sup>3</sup> / <sub>16</sub>  |
| G**            | 6                               | 6 <sup>5</sup> / <sub>16</sub>  |
| H**            | 17 ft.                          | 17 ft.                          |
| J              | 7 <sup>1</sup> / <sub>2</sub>   | 9 <sup>15</sup> / <sub>16</sub> |
| K              | 4 <sup>1</sup> / <sub>8</sub>   | 4 <sup>11</sup> / <sub>16</sub> |
| SINGLE PHASE L | 12 <sup>3</sup> / <sub>4</sub>  | 15 <sup>3</sup> / <sub>16</sub> |
| THREE PHASE L  | 11 <sup>7</sup> / <sub>16</sub> | 13 <sup>7</sup> / <sub>8</sub>  |
| M**            | 1 <sup>1</sup> / <sub>2</sub>   | 2 <sup>15</sup> / <sub>16</sub> |
| N**            | 3/8                             | 3/4                             |
| P**            | 1 <sup>7</sup> / <sub>16</sub>  | 1 <sup>9</sup> / <sub>16</sub>  |
| Q**            | 5 <sup>1</sup> / <sub>8</sub>   | 5 <sup>7</sup> / <sub>8</sub>   |
| R              | 1/2                             | 3/4                             |
| S              | 1 <sup>1</sup> / <sub>16</sub>  | 1 <sup>1</sup> / <sub>16</sub>  |
| T**            | 8 <sup>7</sup> / <sub>8</sub>   | 9 <sup>9</sup> / <sub>16</sub>  |

\*\*Dimensions given are for minimum S-beam and will vary with larger beams.



## \* ⚠ WARNING

Overloading and improper use can result in injury.

### To avoid injury:

- Do not exceed working load limit, load rating capacity
- Do not use to lift people or loads over people.
- use only alloy chain for overhead lifting.
- Read and follow all instructions.

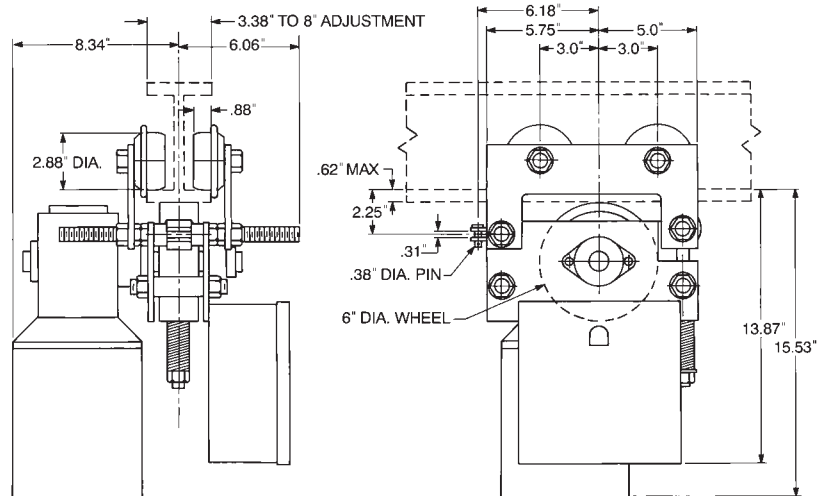
# Tractor drive

Power tractor drives push-type hoists, trolleys and underhung cranes. Easy installation without removing or modifying existing equipment. This drive also features:

- Compact design
- Capacities up to 5 tons available in 230/460-3-60 operation
- Monorail trolley track or twin unit synchronized drives available
- Direct drive with right angle worm gear reducer
- Enclosed aluminum housing for lubrication of gears and bearings
- Steel plate construction with tie-rods for easy adjustment
- Squirrel cage motor with permanently lubricated bearings
- Fully machined trolley wheels with universal tread operate on tapered or flat flange beams
- Adjusts to standard I-beams or flat flange beams up to 8 inches wide
- Standard magnetic reversing contactor with mechanical interlock inside NEMA 1 enclosure
- One-year warranty
- Made in U.S.A.

## Options

- 575 volt 3 phase 60 hertz operation
- 2, 4, 6 & 8 button push-button station
- Additional push-button cable length (10' standard)
- NEMA 12, 4 or 4X control enclosures
- Motor brake
- Soft start (recommended for speeds above 70 F.P.M.)
- Two speed or variable controls
- Transformer for 115 volt control power
- Tow bar
- For other beams, options or custom designs, consult factory



| Rated capacity* (tons) | Product code | Speed (F.P.M.) | Std. beam size (in.) | Min. radius curve (in.) | Max. flange thickness (in.) | Approx. shipping wt. (lbs.) |
|------------------------|--------------|----------------|----------------------|-------------------------|-----------------------------|-----------------------------|
| 1                      | TD 235       | 35             | 3.38-8               | 36                      | .62                         | 110                         |
| 1                      | TD 255       | 55             | 3.38-8               | 36                      | .62                         | 110                         |
| 1                      | TD 270       | 70             | 3.38-8               | 36                      | .62                         | 110                         |
| 1                      | TD 2105      | 105            | 3.38-8               | 36                      | .62                         | 110                         |
| 1½                     | TD 335       | 35             | 3.38-8               | 36                      | .62                         | 110                         |
| 1½                     | TD 355       | 55             | 3.38-8               | 36                      | .62                         | 110                         |
| 1½                     | TD 370       | 70             | 3.38-8               | 36                      | .62                         | 110                         |
| 1½                     | TD 3105      | 105            | 3.38-8               | 36                      | .62                         | 110                         |
| 2½                     | TD 535       | 35             | 3.38-8               | 36                      | .62                         | 110                         |
| 2½                     | TD 555       | 55             | 3.38-8               | 36                      | .62                         | 110                         |
| 2½                     | TD 570       | 70             | 3.38-8               | 36                      | .62                         | 110                         |
| 3                      | TD 635       | 35             | 3.38-8               | 36                      | .62                         | 110                         |
| 3                      | TD 655       | 55             | 3.38-8               | 36                      | .62                         | 110                         |
| 5                      | TD 1035      | 35             | 3.38-8               | 36                      | .62                         | 110                         |

# Hoist Test Stand - 12 Ton Capacity

## The Value - Priced, Hydraulic Hand Operated Test Stand — Tests Hoist Capacity to 12 Tons

The Value-Priced CM Test Stand is specially designed for the testing of hoisting equipment as required by the applicable sections of ASME Code B30.16. Unlike other test stands on the market that weigh thousands of pounds, the CM Value-Priced Test Stand weighs only 496 pounds. Portability for on-site testing becomes more practical. Fewer wearing parts provide superior performance.

- Hand operated hydraulic pump eliminates the need for electrical power.
- Capable of applying test loads up to 12 tons.
- Compact, self-contained design for portability and on-site testing.
- Eliminates the need for cumbersome test weights.
- Capable of both static and dynamic testing.
- Tests the function of overload devices.
- Rugged steel frame construction for strength and durability.
- High quality, high strength, hydraulic cylinder made from chromium-molybdenum steel, heat treated for long life and chrome plated for added protection.
- Two-stage, quick action hand pump for ease of operation.
- Fine adjustment pressure valve for accurate load testing.
- Large pressure gauge for easy reading.
- Made in USA

### Technical data

#### Hydraulic Cylinder (hollow)

|                       |                                |
|-----------------------|--------------------------------|
| Type                  | • Single acting, spring return |
| Maximum pulling force | • 12 tons @ 5800 p.s.i.        |
| Stroke                | • 6 in.                        |
| System pressure       | • 0 - 5800 p.s.i.              |
| Center hole diameter  | • .87 in.                      |

#### Hydraulic Hand Pump

|                 |  |
|-----------------|--|
| System pressure | • 0 - 6090 p.s.i.                            |
| Reservoir       | • 1.47 pints                                 |
| Valve           | • Two-stage, fine adjustment pressure preset |
| Gauge           | • Glycerin filled - 3.94 in. dia.            |

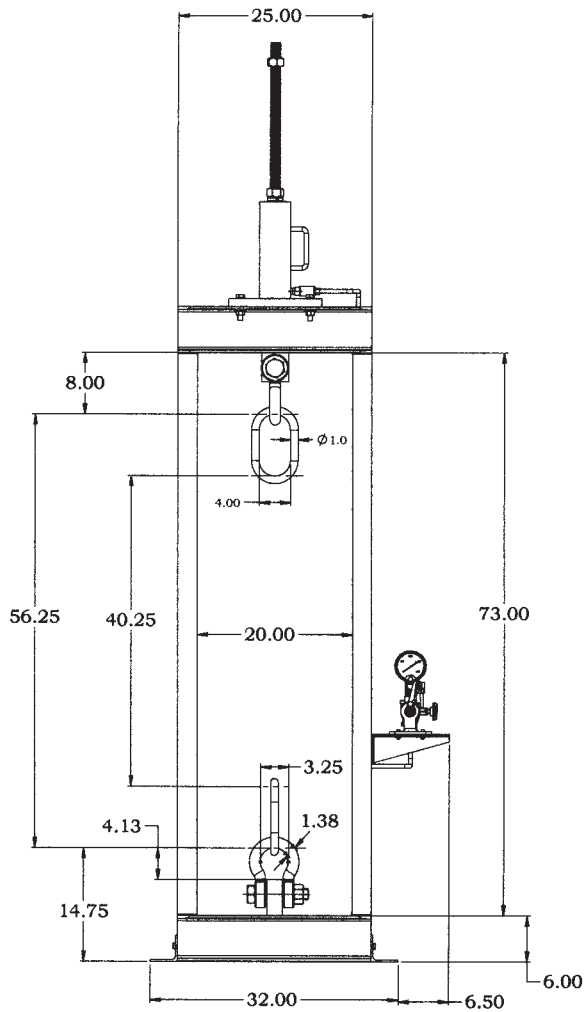
|       |  |
|-------|--|
| Frame | • Mounting holes in base for permanent mount |
|-------|--|

|              |            |
|--------------|------------|
| Total Weight | • 496 lbs. |
|--------------|------------|

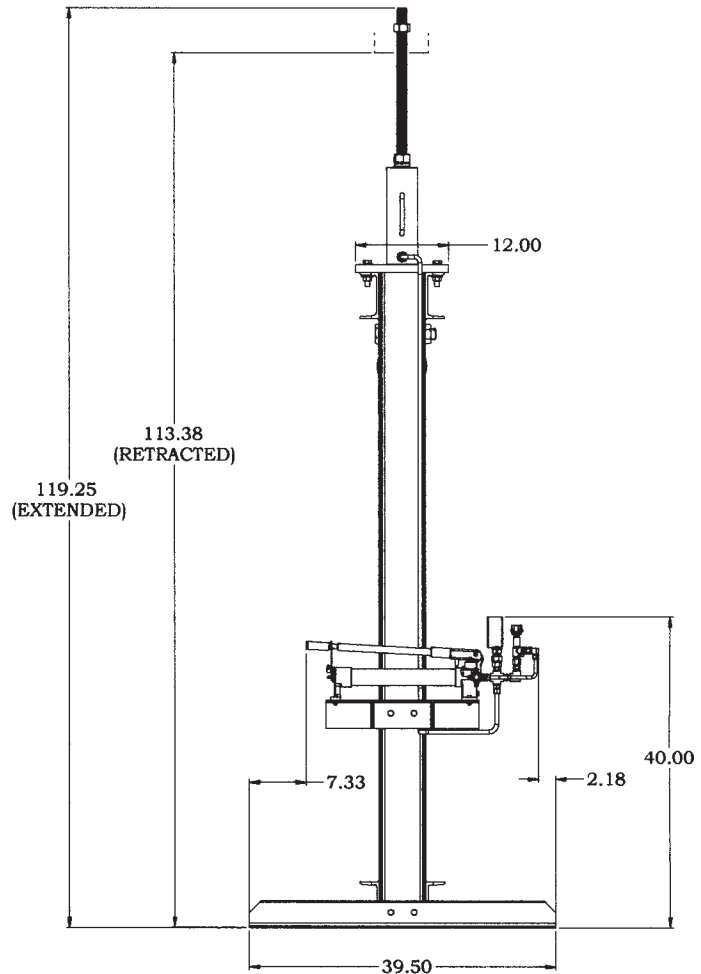


12 Ton Test Stand  
Product Code 1200

# Hoist test stand-Specifications



Front View



Side View

All Dimensions In Inches

|   |
|---|
| <b>▲WARNING</b>   |
| Overloading and improper use can result in injury.  |
| To avoid injury:  |
| <ul style="list-style-type: none"> <li>• Do not exceed maximum pulling force of 12 tons</li> <li>• Read and follow all instructions.</li> </ul> |

## Items to Consider When Selecting Powered Hoists and Trolleys

- Capacity (lbs., tons, or kg.)
- Lift (ft. or m)
- Lift speed (ft. / min.) (m / min.)
- Lifting medium (chain or wire rope)
- Power (electric, air, etc.)
- Power cord length
- Push button cord length
- Type of suspension
- Type of trolley  
(manual, powered, plain, geared)
- Headroom requirements
- Beam size and type
- Trolley speed
- Trolley brake requirements
- Power Supply voltage
- Control voltage
- Single, two speed or variable speed
- Duty cycle requirements
- Special electrification needs
- Abnormal operating conditions
- Chain container

From beam to hoist to below the hook – THE choice for top-performing products is CM Complete Lifting Systems. Users in a wide-range of industries trust CM products for durability, reliability, ease of use and low maintenance. Whether it is lifting steel coils by the ton or delicately positioning switchboards, the breadth of products that comprise CM Complete Lifting Systems is unsurpassed.

*Although the broad product offering is one aspect of CM Complete Lifting Systems that provides separation from the competition, many additional services stand out:*

- A global network of authorized distributors provides inventory, technical support, service after the sale, and consultation regarding specific needs.
- A thoroughly trained, knowledgeable sales force provides expertise on applications, regulations, training requirements, and product features and benefits.
- Manufacturing facilities where testing exceeds the standards outlined by industry regulations.
- Training programs dedicated specifically to rigging products or broad-based to cover all aspects of lifting and positioning.
- The ONLY manufacturer of rigging products that is also a LEADER in the manufacturing and marketing of hoists, overhead cranes, and related products.
- More than 130 years of experience in providing products and programs that exceed the expectations of customers.
- Many of the most recognized names in the material handling industry.



Electric and air operated chain hoists provide the core of CM Complete Lifting Systems. Over the years, the Lodestar electric chain hoist has been the standard to which other hoists aim to emulate. The popular Lodestar is used in wide-ranging environments from nuclear facilities to rock concerts. Overall capacities for CM electric chain hoists range from 1/4 tons to 15 tons. Air hoists such as the Airstar provide unsurpassed spotting capabilities and have working load limits from 1/4 tons to 7-1/2 tons. Air manipulators are available in both chain and wire rope styles and are used for lifting and positioning activities in the 250-600 lbs. range. If heavy-duty lifting with a wire rope hoist is preferred, the Apollo or Polaris tackle loads weighing up to 15 tons. Manual hoists, including lever tools, position, pull, and lift loads in construction, maintenance, and repair activities.



Integral parts of CM Complete Lifting Systems, items such as chain slings, shackles, masterlinks, and hooks are manufactured in various styles and configurations. Herc-Alloy 1000 chain offers a lightweight alternative to traditional Grade 80 chain for overhead lifting, while Lodelok hooks offer ease of use and maximum security. Specially made from proprietary Micro-Alloy material, Super Strong Shackles provide superior working limits than any carbon shackles on the market. Hammerlok couplers with the innovative Pat-Lok retainer make the assembly of mechanical chain slings a snap. Hoist rings rotate and pivot while offering superior attachment points while lifting.



The LodeRail enclosed track system is available as a stand-alone device or as a ceiling mounted system. Easy to install, the LodeRail provides a convenient, versatile anchor point for mounting hoists and manipulators. Maximum capacity is 2 tons, and units can be built to meet the exact requirements of the production line or workstation.



Jib cranes can be manufactured in a wide range of capacities and styles including wall mount and 360 degree pivoting. Trolleys for use with jib cranes or steel beams fit flanges up to 8 inches. Overhead crane components round out the offering.



C-Hooks, Spreader beams, Crane Forks, and related below-the hook accessories are available as standard units or made to order for specific applications. Popular C-hooks handle items such as steel coils and paper rolls and can be supplied to fit into confined work environments.



For lifting steel sheets, aluminum plates, and related items, Camlok clamps provide the necessary stability and mobility. The C Series is excellent for lifting and turning over plates in one smooth movement, while special clamps such as gentle grip, wide mouth, and multi-rail handling are manufactured for specific applications.



Low headroom and spark-resistant hoists provide piece of mind in sensitive environments. Additionally, Chester hoists can be "made to order" based on the exact needs of the user. Manual and Powered trolleys can be manufactured to fit a wide range of I-beam, wide flange, or patented track systems.



While known primarily for load binders and forestry tools, Dixie Industries has expanded into a true engineering forge shop. Concentrating on producing products based on unique customer needs, Dixie produces specialty hooks and related items for OEM's and users in a wide array of industries.



The Steerman Load Moving System offers low rolling resistance due to its specially formulated nylon wheels. Steerman's unique design with integral front rotating plate permits easy movement around corners. Capacities from 5 tons to 100 tons.

