



INDUSTRIAL MAGZA
DIST. AUTORIZADO

MEX (55) 53 63 23 31 MTY (81) 83 54 10 18
QRO (442) 1 95 72 60 ventas@industrialmagza.com

NEW!

STAINLESS STEEL HELICAL/BEVEL MGS[®] Speed Reducers



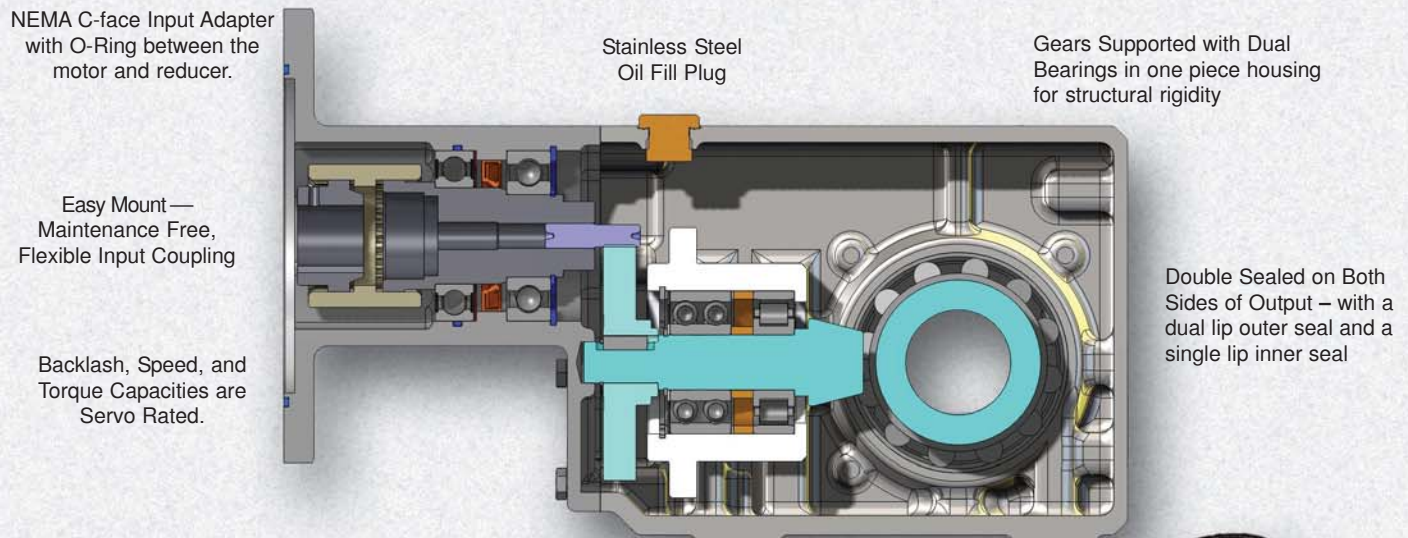
STÖBER

WE KEEP THINGS MOVING

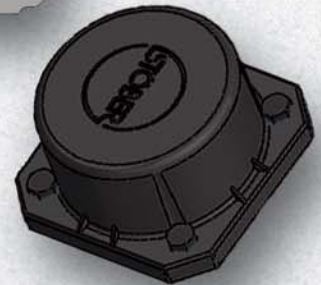
STOBER Drives Inc. is proud to offer our quality-proven, high-efficiency MGS “K” Series Helical/Bevel speed reducer in a stainless steel housing. The adaptability of the well known double wobble-free bushing, with expanded bore sizes, makes this unit necessary for the toughest washdown applications.

Some features of the stainless steel MGS unit are:

- **3 Year Warranty, Maintenance Free** – your guarantee of our confidence in the MGS line of reducers
- **Smaller Footprint (30% less than standard MGS units)**
- **Lubricated for Life with CIBUS SHC 220-H1 Food Grade Oil**
- **Application Specific Mounting Position**
- **Totally Enclosed** – no breather to allow contaminants in or oil out
- **97% Efficiency** – for high quality and reliability plus cost savings in energy and maintenance
- **ALL Stainless Steel Hardware, Laser Etched Nameplate Data**
- **High quality helical gearing is case hardened to 58-62 Rockwell C and precision finished for low noise and long service life.**
- **High efficiency spiral bevel gearing provides quiet operation and excellent torque carrying capacity**
- **Nylon bolts on Side 1 (bottom) and Side 5 for protection during application assembly**



Patented (U.S. Patent Number 5,496,127) Stainless Steel Double Side Bushing Mounts into Stainless Steel Output Quill – easily mounts onto standard stainless shafting. Readily change shaft size from a variety of available bushing sizes – inch and metric.



Bushing Covers Meet Safety Standards
 – Outside Closed Cover — protects seals from high pressure washing
 – Inside Split Cover Cap — enables easy assembly onto the shaft

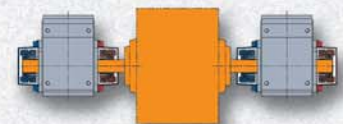
3 YEAR WARRANTY

Part No. Example:

KSS202WG0100 MS2R140 E12 WFBSS2-108

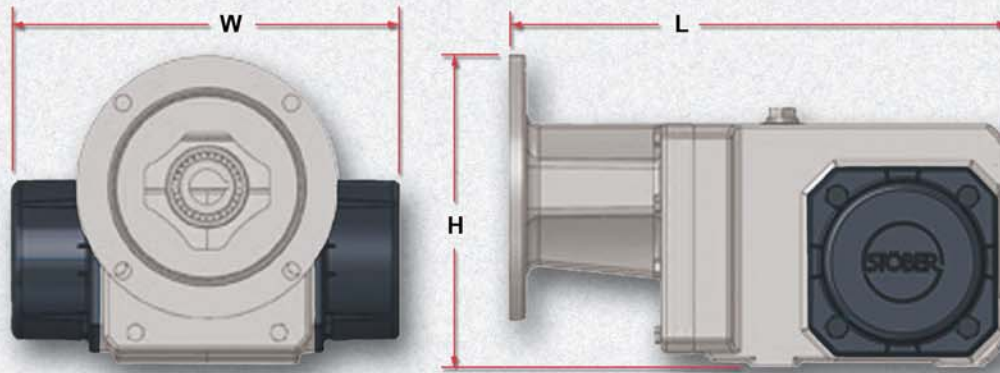
- **KSS** – K Series, Right Angle Helical/Bevel, **Stainless Steel**
- **202** – Unit Size **2, 02** – Double Reduction
- **W** – Wobble Free Bushing
- **G** – Tapped Holes Housing
- **0100** – Ratio 0100 (10:1)
- **MS2R140** – Motor Adapter, **Stainless Size 2, Round** for NEMA Frame 143/145TC
- **E12** – Mounting Position **MUST BE SPECIFIED** (See below.)
- **WFBSS2-108** – Wobble Free Bushing for **Stainless Steel Unit Size 2, 1 1/2 bore (108=1 9/16)**

Designed for application specific mounting position.



Bushing mounts from either side.

The STOBBER difference, we work for you!



KSS Dimensions – Approximate			
Part Number	W	H	L
KSS102WG_MS1R050	8 ¹ / ₈	7 ³ / ₈	10 ⁵ / ₈
KSS202WG_MS2R050	9 ⁵ / ₈	8 ¹ / ₄	12 ¹ / ₂
KSS202WG_MS2R140	9 ⁵ / ₈	8 ¹ / ₄	12 ¹ / ₂
KSS302WG_MS3R050	10	9 ¹ / ₈	13 ⁵ / ₈
KSS302WG_MS3R140	10	9 ¹ / ₈	13 ⁵ / ₈
KSS303WG_MS3R050	10	9 ¹ / ₈	15 ¹ / ₂
KSS303WG_MS3R140	10	9 ¹ / ₈	15 ¹ / ₂

Standard Bushing Bore Sizes	
WFBSS1	1, 25mm
WFBSS2	1, 1 ³ / ₁₆ , 1 ¹ / ₄ , 1 ³ / ₈ , 1 ⁷ / ₁₆ , 1 ¹ / ₂ , 30 & 35mm
WFBSS3	1, 1 ³ / ₁₆ , 1 ¹ / ₄ , 1 ³ / ₈ , 1 ⁷ / ₁₆ , 1 ¹ / ₂ , 30 & 35mm

“K” Series – Stainless Steel Right Angle Helical/Bevel – Selection Data

1750 RPM Input

Input HP	Output Torque in. lbs.	Base Module	Motor Adapter	NEMA C-Frame	Exact Ratio
430 RPM Output (Approximate)					
2.64	369	KSS102WG0040	MS1R050	56C	4.000
6.84	957	KSS202WG0040	MS2R050	56C	4.000
6.84	957	KSS202WG0040	MS2R140	143/145TC	4.000
9.84	1,375	KSS302WG0040	MS3R050	56C	4.000
9.84	1,375	KSS302WG0040	MS3R140	143/145TC	4.000
210 RPM Output (Approximate)					
2.35	684	KSS102WG0083	MS1R050	56C	8.309
4.17	1,225	KSS202WG0084	MS2R050	56C	8.397
4.17	1,225	KSS202WG0084	MS2R140	143/145TC	8.397
7.28	2,149	KSS302WG0084	MS3R050	56C	8.444
7.28	2,149	KSS302WG0084	MS3R140	143/145TC	8.444
170 RPM Output (Approximate)					
2.06	730	KSS102WG0100	MS1R050	56C	10.140
3.70	1,301	KSS202WG0100	MS2R050	56C	10.073
3.70	1,301	KSS202WG0100	MS2R140	143/145TC	10.073
6.45	2,284	KSS302WG0100	MS3R050	56C	10.135
6.45	2,284	KSS302WG0100	MS3R140	143/145TC	10.135
150 RPM Output (Approximate)					
1.89	763	KSS102WG0115	MS1R050	56C	11.565
3.38	1,362	KSS202WG0115	MS2R050	56C	11.546
3.38	1,362	KSS202WG0115	MS2R140	143/145TC	11.546
5.89	2,390	KSS302WG0115	MS3R050	56C	11.610
5.89	2,390	KSS302WG0115	MS3R140	143/145TC	11.610
125 RPM Output (Approximate)					
1.65	816	KSS102WG0140	MS1R050	56C	14.114
2.99	1,447	KSS202WG0140	MS2R050	56C	13.851
2.99	1,447	KSS202WG0140	MS2R140	143/145TC	13.851
5.22	2,540	KSS302WG0140	MS3R050	56C	13.935
5.22	2,540	KSS302WG0140	MS3R140	143/145TC	13.935
100 RPM Output (Approximate)					
1.43	877	KSS102WG0175	MS1R050	56C	17.563
2.56	1,564	KSS202WG0175	MS2R050	56C	17.469
2.56	1,564	KSS202WG0175	MS2R140	143/145TC	17.469
4.52	2,729	KSS302WG0175	MS3R050	56C	17.293
4.52	2,729	KSS302WG0175	MS3R140	143/145TC	17.293

Input HP	Output Torque in. lbs.	Base Module	Motor Adapter	NEMA C-Frame	Exact Ratio
85 RPM Output (Approximate)					
1.30	918	KSS102WG0200	MS1R050	56C	20.150
2.32	1,645	KSS202WG0200	MS2R050	56C	20.327
2.32	1,645	KSS202WG0200	MS2R140	143/145TC	20.327
4.06	2,878	KSS302WG0200	MS3R050	56C	20.278
4.06	2,878	KSS302WG0200	MS3R140	143/145TC	20.278
70 RPM Output (Approximate)					
0.97	851	KSS102WG0250	MS1R050	56C	25.220
2.01	1,765	KSS202WG0250	MS2R050	56C	25.130
2.01	1,765	KSS202WG0250	MS2R140	143/145TC	25.130
3.48	3,070	KSS302WG0250	MS3R050	56C	25.259
3.48	3,070	KSS302WG0250	MS3R140	143/145TC	25.259
60 RPM Output (Approximate)					
1.05	1,025	KSS102WG0280	MS1R050	56C	28.048
1.81	1,772	KSS202WG0280	MS2R050	56C	27.950
1.81	1,772	KSS202WG0280	MS2R140	143/145TC	27.950
3.18	3,100	KSS302WG0280	MS3R050	56C	27.883
3.18	3,100	KSS302WG0280	MS3R140	143/145TC	27.883
50 RPM Output (Approximate)					
0.87	1,063	KSS102WG0350	MS1R050	56C	35.105
1.47	1,772	KSS202WG0350	MS2R050	56C	34.554
1.47	1,772	KSS202WG0350	MS2R140	143/145TC	34.554
2.55	3,100	KSS302WG0350	MS3R050	56C	34.731
2.55	3,100	KSS302WG0350	MS3R140	143/145TC	34.731
2.51	3,100	KSS303WG0360	MS3R050	56C	35.833
2.51	3,100	KSS303WG0360	MS3R140	143/145TC	35.833
35 RPM Output (Approximate)					
1.85	3,100	KSS303WG0490	MS3R050	56C	48.631
1.85	3,100	KSS303WG0490	MS3R140	143/145TC	48.631

Consult the standard MGS catalog for other available ratios.

**MGS® Speed Reducers
and
ComTrac®
Adjustable Speed Drives**



Operating Cost

Competitor



**STANDARD
3-DAY
DELIVERY**

STOBER
Solution

Operating Period

$$\begin{array}{cccccccc}
 \$ & \times & \$ & \times & \$ & \times & \$ & \times & \$ & \times & \$ & \times & \$ \\
 \text{Maintenance Cost} & & \text{Engineering Cost} & & \text{Travel Cost} & & \text{Down Time Cost} & & \text{Replacement Cost} & & \text{Energy Cost} & & \text{Inventory Cost} \\
 & & & & & & & & & & & & = \text{\$ Total Cost of Ownership}
 \end{array}$$



ServoFit® Gearheads

STOBER® Drives, Inc.
1781 Downing Drive, Maysville KY 41056
Phone: 606 759-5090, FAX: 606 759-5045, Toll Free: 800 711-3588
Web: www.stober.com, E-mail: sales@stober.com

MGS®, STOBER®, ComTrac®, and ServoFit® are registered trademarks of STOBER Drives, Inc.
Form No. 3034, Copyright August 2009, Printed in U.S.A.

