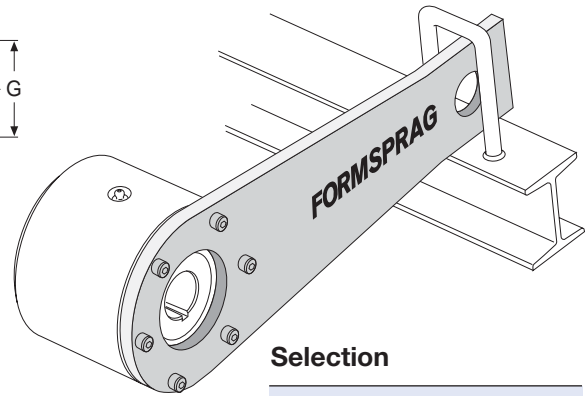
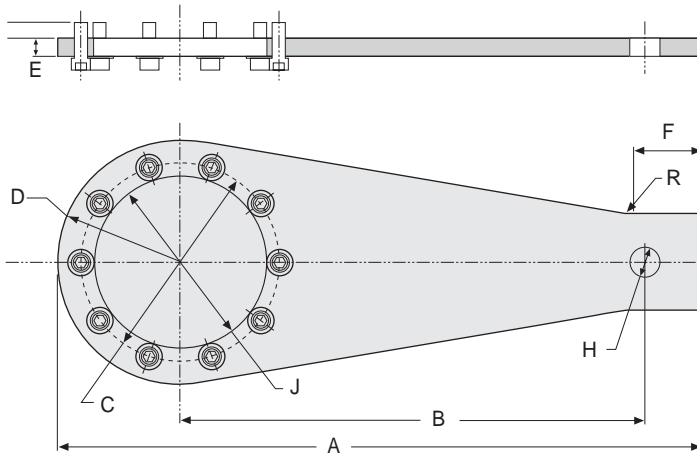


FSO Torque Arm



FSO Torque Arms are used to help facilitate the installation of the clutch when used as a backstop. The FSO Torque Arms are available to fit clutches from size 300 through 1027. These arms are designed to work with Clutch Models FSO, HPI, and HSB.

The torque arm must be secured to the clutch and must not be rigidly fastened at the reaction point. Rotation of the clutch must be restricted at the reaction point by either a pin or angle iron. Torque arm reaction point clearance is required on all sides of the arm to prevent binding, which could cause uneven loading of the clutch bearing, resulting in reduced clutch life.

Selection

Size	Kit No.
300	TA300
400	TA400
500	TA500
550	TA550
600	TA600
650	TA650
700	TA700
750	TA750
800	TA800
900	TA900
1027	TA1027

Size	A	B	C	D	E	F	G	H	J	No. of Bolts
300	9.63 (244.6)	7.13 (181.1)	2.62 (66.5)	1.50 (38.1)	0.38 (9.6)	1.50 (38.1)	1.50 (38.1)	0.75 (19)	1.25 (31.8)	4
400	9.63 (244.6)	7.13 (181.1)	2.87 (72.8)	1.75 (44.4)	0.38 (9.6)	1.50 (38.1)	1.50 (38.1)	0.75 (19)	1.25 (31.8)	4
500	13.00 (330.2)	9.63 (244.6)	3.62 (91.9)	2.13 (54.1)	0.38 (9.6)	2.25 (57.1)	2.25 (57.1)	1.00 (25.4)	1.80 (45.7)	4
550	10.13 (257.3)	7 (177.8)	4.25 (107.9)	2.5 (63.5)	0.38 (9.6)	1.37 (34.9)	2.25 (57.1)	0.78 (19.8)	2.43 (61.7)	12
600	16.00 (406.4)	11.88 (301.7)	4.75 (120.6)	2.68 (68)	0.38 (9.6)	2.50 (63.5)	2.50 (63.5)	1.00 (25.4)	2.81 (71.1)	6
650	13.63 (346)	9.5 (241)	5.75 (146)	3.25 (82.5)	0.38 (9.6)	1.75 (44.4)	3.0 (76.2)	0.78 (19.8)	3.4 (87.3)	16
700	21.00 (533.4)	15.75 (400)	6.25 (158.7)	3.56 (90.4)	0.50 (12.7)	3.00 (76.2)	3.00 (76.2)	1.25 (31.8)	4.25 (107.9)	8
750	22.31 (566.6)	15.25 (387.4)	7.00 (177.8)	4.38 (111.2)	0.50 (12.7)	2.91 (73.9)	4.38 (111.2)	1.25 (31.8)	5.50 (139.7)	8
800	26.41 (670.8)	18.63 (473.2)	8.94 (227)	5.00 (127)	0.50 (12.7)	3.56 (90.4)	4.75 (120.7)	1.25 (31.8)	6.75 (171.5)	8
900	31.72 (805.6)	22.88 (581.1)	9.75 (247.6)	6.00 (152.4)	0.88 (22.3)	3.38 (85.9)	4.75 (120.7)	1.50 (38.1)	8.50 (215.9)	10
1027	33.50 (850.9)	23.00 (584.2)	11.75 (298.5)	7.50 (190.5)	0.88 (22.3)	3.38 (85.9)	5.25 (133.3)	1.75 (44.5)	10.50 (266.7)	10