

QT Power Chain® II Carbon



 **TB Wood's**[®]
Altra Industrial Motion



DISTRIBUIDOR AUTORIZADO MEX (55) 53 63 23 31 MTY (81) 83 54 10 18
QRO (442) 1 95 72 60 ventas@industrialmagza.com

TB Wood's

TB Wood's is an industry leading designer and manufacturer of mechanical power transmission equipment for industrial control. Our mechanical product lines include: clutch and brake, synchronous and belted variable speed drives; grid, disc, jaw, gear coupling and elastomeric coupling products; sheaves and bushings. Registered trademarks include Sure-Flex Plus®, Dura-Flex®, G-Flex®, and Sure-Grip®.

TB Wood's was founded in 1857 and began as a foundry producing wood burning stoves. Our company's tradition of product innovation started early. TB Wood's entered the power transmission industry at the turn of the century with the introduction of flat belted drives and line shafting.

VISIT US ON THE WEB AT
TBWOODS.COM



Altra Industrial Motion

Altra is a leading global designer and manufacturer of quality power transmission and motion control products utilized on a wide variety of industrial drivetrain applications. Altra clutches and brakes, couplings, gearing and PT component product lines are marketed under the industries most well known manufacturing brands. Each brand is committed to the guiding principles of operational excellence, continuous improvement and customer satisfaction. Highly-engineered Altra solutions are sold in over 70 countries and utilized in a variety of major industrial markets, including food processing, material handling, packaging machinery, mining, energy, automotive, primary metals, turf and garden and many others.

Altra's leading brands include **Ameridrives**, **Bauer** Gear Motor, **Bibby** Turboflex, **Boston** Gear, **Delroyd** Worm Gear, **Formsprag** Clutch, **Guardian** Couplings, **Huco**, **Industrial** Clutch, **Inertia** Dynamics, **Kilian**, **Lamiflex** Couplings, **Marland** Clutch, **Matrix**, **Nuttall** Gear, **Stieber**, **Stromag**, **Svendborg** Brakes, **TB Wood's**, **Twiflex**, **Warner** Electric, **Warner** Linear and **Wichita** Clutch.

VISIT US ON THE WEB AT **ALTRAMOTION.COM**



Table of Contents

Section	Pages
QT Power Chain® II Carbon - Overview	Features and Benefits 2-3
QT Power Chain® II - Sprockets	8mm Sprocket Dimension Tables 4-7
	14mm Sprocket Dimension Tables 8-12
QT Power Chain® II Carbon - Belts	Belt Specifications / Dimensions 13-14
QT Power Chain® II Carbon - Drive Selection	Service Factor 15
	Pitch Selection..... 17
	Standard Drive Selection Procedure 18-19
	Low-Speed Belt Drive Selection Procedure 20-23
	8mm Pre-Engineered Selections..... 24-39
	14mm Pre-Engineered Selections..... 40-53
Taper-Lock™ Bushings	8mm Basic Horsepower Tables 54-57
	14mm Basic Horsepower Tables 58-62
QT Power Chain® II Carbon - Drive Installation	Dimension and Rating Table 64
	Bushing Bore and Keyseat Information 65-71
	Taper-Lock Bushing Installation and Removal..... 72
Engineering Data	Center Distance Allowances for Installation and Tensioning 73
	Drive Alignment 73
	Belt Installation 74
	Belt Installation Tension 74
	Shaft Load..... 75
	Bearing/Load Calculations..... 76
QT Power Chain® II Carbon - Interchange	Belt Storage and Handling 77
	Center Distance and Belt Length 77
	Efficiency 78
	Flanged Sprockets 78
	Fixed Centers (No Adjustment) 78
	Teeth in Mesh..... 78
	Belt Drive Noise 79
	Use of Idlers 79
Troubleshooting..... 81	
QT Power Chain® II Carbon - Interchange	Interchange 82-86

Taper-Lock™ is a trademark of Baldor Electric Company



QT Power Chain® II Carbon Overview

Features and Benefits

HEAVY-DUTY BELTS COMBINED WITH TAPER-LOCK™ SPROCKETS AND BUSHINGS MAKE **QT POWER CHAIN® II CARBON BELT DRIVE SYSTEMS** THE OPTIMAL CHOICE FOR HIGH-PERFORMANCE IN HIGH-TORQUE DRIVE APPLICATIONS.

TB Wood's QT Power Chain II Carbon belt drive systems are designed for use in a variety of industries

- Lumber
- Pulp & Paper
- Packaging
- Food Processing
- Bottling
- Aluminum & Steel
- Petrochemical
- Sand, Gravel & Concrete
- Glass

These high performance drive systems are specifically designed for tough applications such as:

- Belt Conveyors
- De-barkers
- Dough Mixers
- Scrap Cutters
- Compressors
- Bucket Conveyors
- Grinders
- Carton Sealers
- Dryers
- Screw Conveyors
- Pumps
- Palletizers

The QT Power Chain II Carbon belt drive system from TB Wood's consists of a synchronous belt, sprockets, bushings and idlers that are all designed to work together to deliver the best value in power transmission – whether the application is low-speed or high-speed. When compared with standard roller chain, this powerful belt drive system provides important performance advantages and significantly reduces overall costs. The new sizes of belts and sprockets along with increased power ratings (up to 46% higher than its predecessor) allow QT Power Chain II Carbon drive systems to be designed in widths narrower and more compact than ever before.

QT Power Chain II Carbon System advantages compared to ROLLER CHAIN:

- Longer drive life
- No lubrication required
- Less noise
- Identical hub sizes

QT Power Chain II Carbon System advantages compared to QT POWER CHAIN:

- Increased power ratings
- Narrower sprocket profiles
- Taper-Lock bushing system

Belts built for maximum strength

The result of state-of-the-art design and engineering, the body and teeth of QT Power Chain II Carbon belts are made of a durable polyurethane compound, specially blended for uncompromising adhesion to the tensile cords and heavy nylon tooth facing. The result is a belt that is virtually immune to abrasion and chemical attack.

QT Power Chain II Carbon belts get their muscle from carbon-fiber tensile cords and perform flawlessly under the harshest operating conditions. The cords provide exceptional flex fatigue life and high impact strength to handle shock and surge loading. These belts are tough enough to outlast standard roller chain 3-1. With no metal-to-metal contact between belt and sprocket, sprocket life increases significantly over roller chain sprockets by a ratio of 10 to 1.

Carbon-fiber tensile cords provide extraordinary load carrying capability, incredible strength and virtually zero elongation.

Tough polyurethane compound resists oils, chemicals, pollutants and abrasion.



Patented tooth-facing delivers high horsepower, exceptional tooth shear strength, reduced friction and eliminates the need for lubrication.

Taper-Lock™ is a trademark of Baldor Electric Company

GET THE MOST FROM YOUR DRIVE SYSTEM WITH TB WOOD'S TAPER-LOCK SPROCKETS AND BUSHINGS

QT Power Chain II sprockets are designed to carry hefty belt power loads utilizing the robust, industry-proven Taper-Lock bushing system. Taper-Lock bushings are split completely through the bore and taper to provide a true clamp fit on the shaft that is the equivalent of a shrink fit.

The Taper-Lock bushing system keeps the sprocket hubs narrow so the length-thru-bore dimension is less than ever before. The left-justified hub design allows shaft mounting close to bearings, keeping the center of load dimension small while preventing issues with high overhung loads.

QT Power Chain II Sprocket advantages include:

- GT2 tooth profile 8mm and 14mm pitch
- Taper-Lock bushing interface
- Left justified hub
- Industry-proven robustness
- True running, concentric
- Easy installation and removal
- Installs with less axial sprocket movement than other bushing systems

QT Power Chain II Carbon design flexibility:

- 8mm Pitch
Drive combinations: 66,600+
Speed Ratios: 462
- 14mm Pitch
Drive combinations: 51,500+
Speed Ratios: 391
- Operating Temperature Range:
-65°F to +185°F (-54°C to +85°C)

Custom sprockets available

For made-to-order (MTO) or special sprocket requirements, TB Wood's can design and manufacture custom sprockets in our on-site foundry. Typically, Request for Quote (RFQs) are processed within 48 hours.

Call 888-829-6637 (press 7).

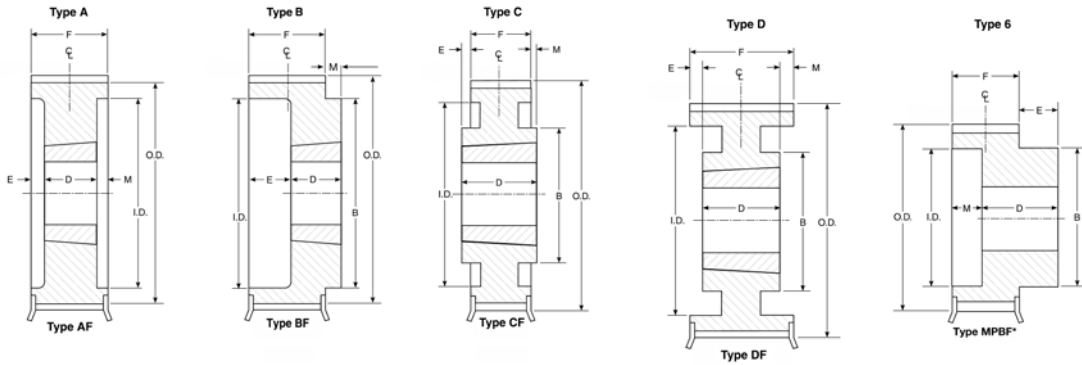


QT Power Chain® II Carbon Sprockets

8mm Sprocket Dimensions

SPROCKET TYPES

The synchronous sprockets listed in the tables below are all stock sizes. All dimensions given are for the sprocket with the Taper-Lock bushing in place and are in inches only. The figure following the type sketch letter in the "type" column indicates the construction: (1-solid, 2-web, 3-arms), and the letter "F" indicates the sprocket has flanges.



PRODUCT NO.	BUSHING	NO. OF TEETH	DIAMETERS				TYPE	DIMENSIONS (INCHES)					BORE		WT.
			P.D.	O.D.		I.D.		E	F	B	D	M	Min.	Max.	
				Sprocket	Flange										
FOR BELTS 12 mm (.47 in.) WIDE • 8mm PITCH (8MPC)															
8MPC22S12	1008	22	2.206	2.143	2.61	—	A1F	—	0.88	—	0.88	—	0.50	1.00	0.7
8MPC22S12MPB	MPB	22	2.206	2.143	2.61	—	MPB1F	0.63	0.85	1.79	1.48	—	0.50*	1.19	1.0
8MPC25S12	1108	25	2.506	2.443	2.91	—	A1F	—	0.88	—	0.88	—	0.50	1.13	1.0
8MPC25S12MPB	MPB	25	2.506	2.443	2.91	—	MPB1F	0.63	0.85	2.08	1.48	—	0.50*	1.50	1.4
8MPC26S12	1108	26	2.607	2.544	2.91	—	A1F	—	0.88	—	0.88	—	0.50	1.13	1.1
8MPC27S12	1108	27	2.707	2.644	3.15	—	A1F	—	0.88	—	0.88	—	0.50	1.13	1.2
8MPC28S12	1108	28	2.807	2.744	3.15	—	A1F	—	0.88	—	0.88	—	0.50	1.13	1.3
8MPC28S12MPB	MPB	28	2.807	2.744	3.15	—	MPB1F	0.75	0.85	2.34	1.60	—	0.50*	1.75	1.9
8MPC29S12	1108	29	2.907	2.844	3.15	—	A1F	—	0.88	—	0.88	—	0.50	1.13	1.3
8MPC30S12	1108	30	3.008	2.945	3.35	—	A1F	—	0.88	—	0.88	—	0.50	1.13	1.5
8MPC30S12MPB	MPB	30	3.008	2.945	3.35	—	MPB1F	0.75	0.85	2.54	1.60	—	0.50*	1.81	2.2
8MPC31S12	1210	31	3.108	3.045	3.42	—	A1F	—	1.00	—	1.00	—	0.50	1.25	1.6
8MPC32S12	1210	32	3.208	3.145	3.54	—	A1F	—	1.00	—	1.00	—	0.50	1.25	1.7
8MPC32S12MPB	MPB	32	3.208	3.145	3.54	—	MPB1F	0.75	0.85	2.73	1.60	—	0.50*	2.00	2.6
8MPC33S12	1610	33	3.308	3.245	3.81	—	A1F	—	1.00	—	1.00	—	0.50	1.69	1.8
8MPC34S12	1610	34	3.409	3.346	3.81	—	A1F	—	1.00	—	1.00	—	0.50	1.69	1.9
8MPC35S12	1610	35	3.509	3.446	3.94	—	A1F	—	1.00	—	1.00	—	0.50	1.69	2.1
8MPC36S12	1610	36	3.609	3.546	3.94	—	A1F	—	1.00	—	1.00	—	0.50	1.69	2.2
8MPC37S12	1610	37	3.709	3.646	4.13	—	A1F	—	1.00	—	1.00	—	0.50	1.69	2.4
8MPC38S12	1610	38	3.810	3.747	4.13	—	A1F	—	1.00	—	1.00	—	0.50	1.69	2.5
8MPC39S12	1610	39	3.910	3.847	4.34	—	A1F	—	1.00	—	1.00	—	0.50	1.69	2.7
8MPC40S12	2012	40	4.010	3.947	4.34	—	B1F	—	0.85	3.53	1.25	0.40	0.50	2.13	3.3
8MPC41S12	2012	41	4.110	4.047	4.53	—	B1F	—	0.85	3.59	1.25	0.40	0.50	2.13	3.4
8MPC42S12	2012	42	4.211	4.148	4.53	—	B1F	—	0.85	3.59	1.25	0.40	0.50	2.13	3.5
8MPC45S12	2012	45	4.511	4.448	4.91	—	B1F	—	0.85	3.79	1.25	0.40	0.50	2.13	4.0
8MPC48S12	2012	48	4.812	4.749	5.16	—	B1F	—	0.85	4.25	1.25	0.40	0.50	2.13	4.9
8MPC50S12	2012	50	5.013	4.950	5.32	—	B1F	—	0.85	4.38	1.25	0.40	0.50	2.13	5.3
8MPC53S12	2012	53	5.314	5.251	5.64	—	B1F	—	0.85	4.38	1.25	0.40	0.50	2.13	5.8
8MPC56S12	2012	56	5.614	5.551	5.95	—	B1F	—	0.85	4.38	1.25	0.40	0.50	2.13	6.4
8MPC60S12	2012	60	6.015	5.952	6.41	—	B1F	—	0.85	4.38	1.25	0.40	0.50	2.13	7.0
8MPC63S12	2012	63	6.316	6.253	6.77	—	B1F	—	0.85	4.38	1.25	0.40	0.50	2.13	7.8
8MPC67S12	2012	67	6.717	6.654	7.23	—	B1F	—	0.85	4.38	1.25	0.40	0.50	2.13	8.6
8MPC71S12	2012	71	7.118	7.055	7.60	—	B1F	—	0.85	4.38	1.25	0.40	0.50	2.13	9.6
8MPC75S12	2012	75	7.519	7.456	7.87	—	B1F	—	0.85	4.38	1.25	0.40	0.50	2.13	10.4
8MPC80S12	2012	80	8.020	7.957	8.39	7.00	B2F	—	0.85	4.38	1.25	0.40	0.50	2.13	9.6
8MPC90S12	2012	90	9.023	8.960	—	8.00	B3	—	0.85	4.38	1.25	0.40	0.50	2.13	11.2
8MPC112S12	2012	112	11.229	11.166	—	10.00	B3	—	0.85	4.38	1.25	0.40	0.50	2.13	13.0
8MPC140S12	2012	140	14.036	13.973	—	12.75	B3	—	0.85	4.38	1.25	0.40	0.50	2.13	16.7
8MPC180S12	2517	180	18.046	17.983	—	16.50	B3	—	0.85	4.88	1.75	0.90	0.50	2.69	28
8MPC224S12	2517	224	22.457	22.394	—	20.81	B3	—	0.85	4.88	1.75	0.90	0.50	2.69	37

Weights for all Sure-Grip bushed items are approximate and include the bushing.

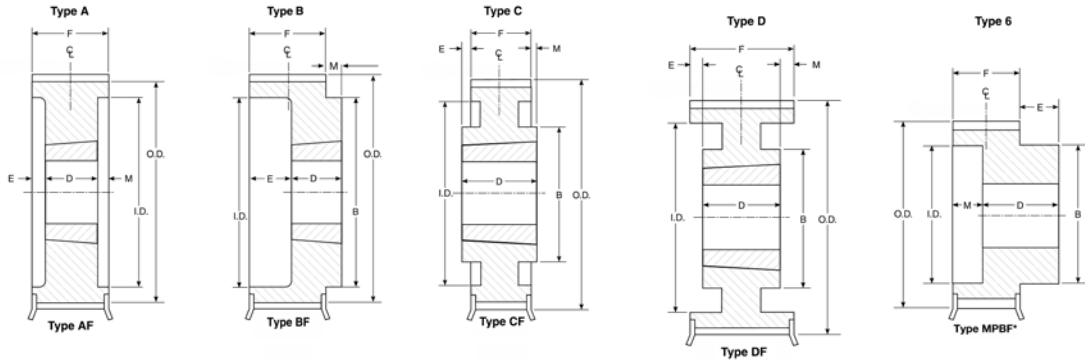
*Bored-to-suit construction, minimum plain bore, no setscrews.

QT Power Chain® II Carbon Sprockets

8mm Sprocket Dimensions

SPROCKET TYPES

The synchronous sprockets listed in the tables below are all stock sizes. All dimensions given are for the sprocket with the Taper-Lock bushing in place and are in inches only. The figure following the type sketch letter in the "type" column indicates the construction: (1-solid, 2-web, 3-arms), and the letter "F" indicates the sprocket has flanges.



PRODUCT NO.	BUSH-ING	NO. OF TEETH	DIAMETERS				TYPE	DIMENSIONS (INCHES)					BORE		WT.
			P.D.	O.D.		I.D.		E	F	B	D	M	Min.	Max.	
				Sprocket	Flange										
FOR BELTS 21 mm (.83 in.) WIDE • 8mm PITCH (8MPC)															
8MPC22S21	1008	22	2.206	2.143	2.61	1.63	A1F	—	1.20	—	0.88	0.33	0.50	1.00	0.8
8MPC22S21MPB	MPB	22	2.206	2.143	2.61	—	MPB1F	0.63	1.20	1.79	1.83	—	0.50*	1.19	1.3
8MPC25S21	1108	25	2.506	2.443	2.91	1.75	A1F	—	1.20	—	0.88	0.33	0.50	1.13	1.2
8MPC25S21MPB	MPB	25	2.506	2.443	2.91	—	MPB1F	0.63	1.20	2.08	1.83	—	0.50*	1.50	1.7
8MPC26S21	1108	26	2.607	2.544	2.91	1.81	A1F	—	1.20	—	0.88	0.33	0.50	1.13	1.2
8MPC27S21	1108	27	2.707	2.644	3.15	1.94	A1F	—	1.20	—	0.88	0.33	0.50	1.13	1.4
8MPC28S21	1108	28	2.807	2.744	3.15	2.06	A1F	—	1.20	—	0.88	0.33	0.50	1.13	1.4
8MPC28S21MPB	MPB	28	2.807	2.744	3.15	—	MPB1F	0.75	1.20	2.34	1.95	—	0.50*	1.75	2.3
8MPC29S21	1108	29	2.907	2.844	3.15	2.13	A1F	—	1.20	—	0.88	0.33	0.50	1.13	1.5
8MPC30S21	1108	30	3.008	2.945	3.35	2.25	A1F	—	1.20	—	0.88	0.33	0.50	1.13	1.7
8MPC30S21MPB	MPB	30	3.008	2.945	3.35	—	MPB1F	0.75	1.20	2.54	1.95	—	0.50*	1.81	2.8
8MPC31S21	1210	31	3.108	3.045	3.42	2.31	A1F	—	1.20	—	1.00	0.20	0.50	1.25	1.7
8MPC32S21	1210	32	3.208	3.145	3.54	2.38	A1F	—	1.20	—	1.00	0.20	0.50	1.25	1.8
8MPC32S21MPB	MPB	32	3.208	3.145	3.54	—	MPB1F	0.75	1.20	2.73	1.95	—	0.50*	2.00	3.2
8MPC33S21	1610	33	3.308	3.245	3.81	2.63	A1F	—	1.20	—	1.00	0.20	0.50	1.69	1.9
8MPC34S21	1610	34	3.409	3.346	3.81	2.63	A1F	—	1.20	—	1.00	0.20	0.50	1.69	2.0
8MPC35S21	1610	35	3.509	3.446	3.94	2.75	A1F	—	1.20	—	1.00	0.20	0.50	1.69	2.2
8MPC36S21	1610	36	3.609	3.546	3.94	2.81	A1F	—	1.20	—	1.00	0.20	0.50	1.69	2.3
8MPC37S21	1610	37	3.709	3.646	4.13	2.88	A1F	—	1.20	—	1.00	0.20	0.50	1.69	2.5
8MPC38S21	1610	38	3.810	3.747	4.13	3.00	A1F	—	1.20	—	1.00	0.20	0.50	1.69	2.6
8MPC39S21	1610	39	3.910	3.847	4.34	3.13	A1F	—	1.20	—	1.00	0.20	0.50	1.69	2.8
8MPC40S21	2012	40	4.010	3.947	4.34	—	A1F	—	1.25	—	1.25	—	0.50	2.13	3.4
8MPC41S21	2012	41	4.110	4.047	4.53	—	A1F	—	1.25	—	1.25	—	0.50	2.13	3.6
8MPC42S21	2012	42	4.211	4.148	4.53	—	A1F	—	1.25	—	1.25	—	0.50	2.13	3.8
8MPC45S21	2012	45	4.511	4.448	4.91	—	A1F	—	1.25	—	1.25	—	0.50	2.13	4.4
8MPC48S21	2012	48	4.812	4.749	5.16	—	A1F	—	1.25	—	1.25	—	0.50	2.13	5.1
8MPC50S21	2012	50	5.013	4.950	5.32	—	A1F	—	1.25	—	1.25	—	0.50	2.13	5.6
8MPC53S21	2012	53	5.314	5.251	5.64	—	A1F	—	1.25	—	1.25	—	0.50	2.13	6.4
8MPC56S21	2012	56	5.614	5.551	5.95	—	A1F	—	1.25	—	1.25	—	0.50	2.13	7.2
8MPC60S21	2012	60	6.015	5.952	6.41	—	A1F	—	1.25	—	1.25	—	0.50	2.13	8.2
8MPC63S21	2012	63	6.316	6.253	6.77	—	A1F	—	1.25	—	1.25	—	0.50	2.13	9.3
8MPC67S21	2517	67	6.717	6.654	7.23	—	B1F	—	1.20	4.88	1.75	0.55	0.50	2.69	11.1
8MPC71S21	2517	71	7.118	7.055	7.6	—	B1F	—	1.20	4.88	1.75	0.55	0.50	2.69	12.4
8MPC75S21	2517	75	7.519	7.456	7.87	—	B1F	—	1.20	4.88	1.75	0.55	0.50	2.69	13.7
8MPC80S21	2517	80	8.020	7.957	8.39	7.00	B2F	—	1.20	4.88	1.75	0.55	0.50	2.69	12.5
8MPC90S21	2517	90	9.023	8.960	—	8.00	B3	—	1.20	4.88	1.75	0.55	0.50	2.69	12.8
8MPC112S21	2517	112	11.229	11.166	—	10.00	B3	—	1.20	4.88	1.75	0.55	0.50	2.69	16.8
8MPC140S21	2517	140	14.036	13.973	—	12.75	B3	—	1.20	4.88	1.75	0.55	0.50	2.69	23
8MPC180S21	3020	180	18.046	17.983	—	16.50	B3	—	1.20	6.25	2.00	0.80	0.88	3.25	42
8MPC224S21	3020	224	22.457	22.394	—	20.81	B3	—	1.20	6.25	2.00	0.80	0.88	3.25	53

Weights for all Sure-Grip bushed items are approximate and include the bushing.

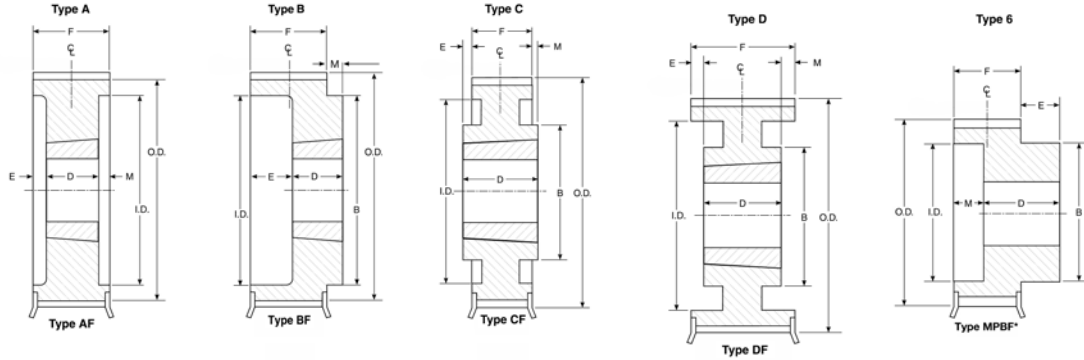
*Bored-to-suit construction, minimum plain bore, no setscrews.

QT Power Chain® II Carbon Sprockets

8mm Sprocket Dimensions

SPROCKET TYPES

The synchronous sprockets listed in the tables below are all stock sizes. All dimensions given are for the sprocket with the Taper-Lock bushing in place and are in inches only. The figure following the type sketch letter in the "type" column indicates the construction: (1-solid, 2-web, 3-arms), and the letter "F" indicates the sprocket has flanges.



PRODUCT NO.	BUSHING	NO. OF TEETH	DIAMETERS				TYPE	DIMENSIONS (INCHES)					BORE		WT.
			P.D.	O.D.		I.D.		E	F	B	D	M	Min.	Max.	
				Sprocket	Flange										
FOR BELTS 36 mm (1.42 in.) WIDE • 8mm PITCH (8MPC)															
8MPC22S36MPB	MPB	22	2.206	2.143	2.61	—	MPB1F	0.63	1.86	1.79	2.49	—	0.50*	1.19	1.8
8MPC25S36MPB	MPB	25	2.506	2.443	2.91	—	MPB1F	0.63	1.86	2.08	2.49	—	0.50*	1.50	2.4
8MPC28S36MPB	MPB	28	2.807	2.744	3.15	—	MPB1F	0.75	1.86	2.34	2.61	—	0.50*	1.75	3.2
8MPC30S36MPB	MPB	30	3.008	2.945	3.35	—	MPB1F	0.75	1.86	2.54	2.61	—	0.50*	1.81	3.8
8MPC32S36	1210	32	3.208	3.145	3.54	2.38	A1F	—	1.86	—	1.00	0.86	0.50	1.25	2.2
8MPC32S36MPB	MPB	32	3.208	3.145	3.54	—	MPB1F	0.75	1.86	2.73	2.61	—	0.50*	2.00	4.4
8MPC33S36	1610	33	3.308	3.245	3.81	2.63	A1F	—	1.86	—	1.00	0.86	0.50	1.69	2.3
8MPC34S36	1610	34	3.409	3.346	3.81	2.63	A1F	—	1.86	—	1.00	0.86	0.50	1.69	2.5
8MPC34S36MPB	MPB	34	3.409	3.346	3.81	—	MPB1F	0.75	1.86	2.82	2.61	—	0.50*	2.13	4.9
8MPC35S36	1610	35	3.509	3.446	3.94	2.75	A1F	—	1.86	—	1.00	0.86	0.50	1.69	2.7
8MPC36S36	1610	36	3.609	3.546	3.94	2.81	A1F	—	1.86	—	1.00	0.86	0.50	1.69	2.8
8MPC36S36MPB	MPB	36	3.609	3.546	3.94	—	MPB1F	0.75	1.86	3.13	2.61	—	0.50	2.31	5.7
8MPC37S36	1610	37	3.709	3.646	4.13	2.88	A1F	—	1.86	—	1.00	0.86	0.50	1.69	3.1
8MPC38S36	1610	38	3.810	3.747	4.13	3.00	A1F	—	1.86	—	1.00	0.86	0.50	1.69	3.2
8MPC38S36MPB	MPB	38	3.810	3.747	4.13	—	MPB1F	0.75	1.86	3.32	2.61	—	0.50*	2.44	6.4
8MPC39S36	1610	39	3.910	3.847	4.34	3.13	A1F	—	1.86	—	1.00	0.86	0.50	1.69	3.3
8MPC40S36	2012	40	4.010	3.947	4.34	3.19	A1F	—	1.86	—	1.25	0.61	0.50	2.13	4.0
8MPC41S36	2012	41	4.110	4.047	4.53	3.25	A1F	—	1.86	—	1.25	0.61	0.50	2.13	4.2
8MPC42S36	2012	42	4.211	4.148	4.53	3.31	A1F	—	1.86	—	1.25	0.61	0.50	2.13	4.4
8MPC45S36	2012	45	4.511	4.448	4.91	3.56	A1F	—	1.86	—	1.25	0.61	0.50	2.13	5.1
8MPC48S36	2012	48	4.812	4.749	5.16	3.88	A1F	—	1.86	—	1.25	0.61	0.50	2.13	5.9
8MPC50S36	2012	50	5.013	4.950	5.32	4.13	A1F	—	1.86	—	1.25	0.61	0.50	2.13	6.4
8MPC53S36	2012	53	5.314	5.251	5.64	4.38	A1F	—	1.86	—	1.25	0.61	0.50	2.13	7.2
8MPC56S36	2012	56	5.614	5.551	5.95	4.69	A1F	—	1.86	—	1.25	0.61	0.50	2.13	8.1
8MPC60S36	2517	60	6.015	5.952	6.41	5.00	A1F	—	1.86	—	1.75	0.11	0.50	2.69	10.1
8MPC63S36	2517	63	6.316	6.253	6.77	5.38	A1F	—	1.86	—	1.75	0.11	0.50	2.69	11.6
8MPC67S36	2517	67	6.717	6.654	7.23	5.81	A1F	—	1.86	—	1.75	0.11	0.50	2.69	13.4
8MPC71S36	2517	71	7.118	7.055	7.60	6.19	A1F	—	1.86	—	1.75	0.11	0.50	2.69	15.3
8MPC75S36	2517	75	7.519	7.456	7.87	6.56	A1F	—	1.86	—	1.75	0.11	0.50	2.69	17.2
8MPC80S36	3020	80	8.020	7.957	8.39	—	B1F	—	1.86	6.25	2.00	0.14	0.88	3.25	24
8MPC90S36	3020	90	9.023	8.960	—	—	B1	—	1.86	6.25	2.00	0.14	0.88	3.25	30
8MPC112S36	3020	112	11.229	11.166	—	10.00	B2	—	1.86	6.25	2.00	0.14	0.88	3.25	32
8MPC140S36	3020	140	14.036	13.973	—	12.38	B3	—	1.86	6.25	2.00	0.14	0.88	3.25	39
8MPC180S36	3020	180	18.046	17.983	—	16.06	B3	—	1.86	6.25	2.00	0.14	0.88	3.25	58
8MPC224S36	3525	224	22.457	22.394	—	20.31	B3	—	1.86	8.75	2.50	0.64	1.19	3.94	99

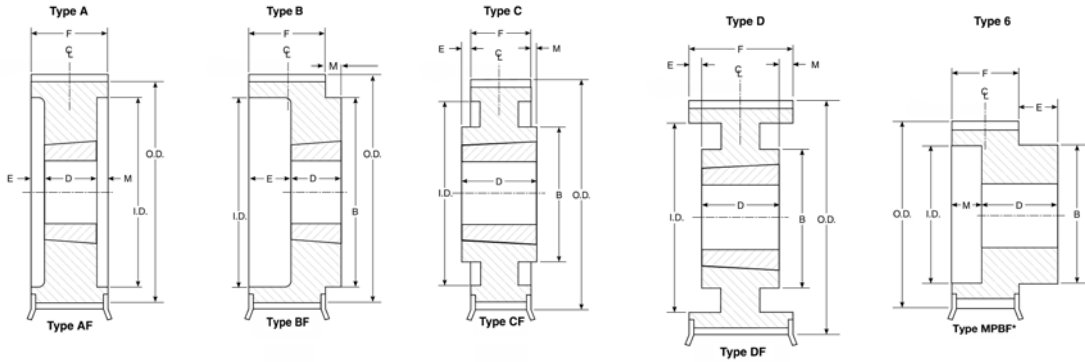
*Bored-to-suit construction, minimum plain bore, no setscrews.

QT Power Chain® II Carbon Sprockets

8mm Sprocket Dimensions

SPROCKET TYPES

The synchronous sprockets listed in the tables below are all stock sizes. All dimensions given are for the sprocket with the Taper-Lock bushing in place and are in inches only. The figure following the type sketch letter in the "type" column indicates the construction: (1-solid, 2-web, 3-arms), and the letter "F" indicates the sprocket has flanges.



PRODUCT NO.	BUSHING	NO. OF TEETH	DIAMETERS				TYPE	DIMENSIONS (INCHES)					BORE		WT.
			P.D.	O.D.		I.D.		E	F	B	D	M	Min.	Max.	
				Sprocket	Flange										
FOR BELTS 62 mm (2.44 in.) WIDE • 8mm PITCH (8MPC)															
8MPC22S62MPB	MPB	22	2.206	2.143	2.61	—	MPB1F	0.63	2.91	1.79	3.54	—	1.00*	1.19	2.0
8MPC25S62MPB	MPB	25	2.506	2.443	2.91	—	MPB1F	0.63	2.91	2.08	3.54	—	1.00*	1.50	2.9
8MPC28S62MPB	MPB	28	2.807	2.744	3.15	—	MPB1F	0.75	2.91	2.34	3.66	—	1.00*	1.75	4.0
8MPC30S62MPB	MPB	30	3.008	2.945	3.35	—	MPB1F	0.75	2.91	2.54	3.66	—	1.00*	1.81	4.8
8MPC32S62MPB	MPB	32	3.208	3.145	3.54	—	MPB1F	0.75	2.91	2.73	3.66	—	1.00*	2.00	5.7
8MPC34S62	1610	34	3.409	3.346	3.81	2.63	A1F	—	2.91	—	1.00	1.91	0.50	1.69	3.2
8MPC34S62MPB	MPB	34	3.409	3.346	3.81	—	MPB1F	0.75	2.91	2.82	3.66	—	1.00*	2.13	6.5
8MPC36S62	1610	36	3.609	3.546	3.94	2.81	A1F	—	2.91	—	1.00	1.91	0.50	1.69	3.6
8MPC36S62MPB	MPB	36	3.609	3.546	3.94	—	MPB1F	0.75	2.91	3.13	3.66	—	1.00*	2.31	7.6
8MPC38S62	1610	38	3.810	3.747	4.13	3.00	A1F	—	2.91	—	1.00	1.91	0.50	1.69	4.0
8MPC38S62MPB	MPB	38	3.810	3.747	4.13	—	MPB1F	0.75	2.91	3.32	3.66	—	1.00*	2.44	8.6
8MPC40S62	2012	40	4.010	3.947	4.34	3.19	A1F	—	2.91	—	1.25	1.66	0.50	2.13	4.9
8MPC40S62MPB	MPB	40	4.010	3.947	4.34	—	MPB1F	1.00	2.91	3.52	3.91	—	1.00*	2.56	10.3
8MPC42S62	2012	42	4.211	4.148	4.53	3.31	A1F	—	2.91	—	1.25	1.66	0.50	2.13	5.4
8MPC42S62MPB	MPB	42	4.211	4.148	4.53	—	MPB1F	1.00	2.91	3.79	3.91	—	1.00*	2.75	11.6
8MPC45S62	2012	45	4.511	4.448	4.91	3.56	A1F	—	2.91	—	1.25	1.66	0.50	2.13	6.4
8MPC45S62MPB	MPB	45	4.511	4.448	4.91	—	MPB1F	1.00	2.91	3.79	3.91	—	1.00*	2.75	13.0
8MPC48S62	2517	48	4.812	4.749	5.16	3.88	A1F	—	2.91	—	1.75	1.16	0.50	2.69	7.1
8MPC50S62	2517	50	5.013	4.950	5.32	4.13	A1F	—	2.91	—	1.75	1.16	0.50	2.69	7.7
8MPC53S62	2517	53	5.314	5.251	5.64	4.38	A1F	—	2.91	—	1.75	1.16	0.50	2.69	8.9
8MPC56S62	2517	56	5.614	5.551	5.95	4.69	A1F	—	2.91	—	1.75	1.16	0.50	2.69	10.2
8MPC60S62	3020	60	6.015	5.952	6.41	5.00	A1F	—	2.91	—	2.00	0.91	0.88	3.25	14.3
8MPC63S62	3020	63	6.316	6.253	6.77	5.38	A1F	—	2.91	—	2.00	0.91	0.88	3.25	15.9
8MPC67S62	3020	67	6.717	6.654	7.23	5.81	A1F	—	2.91	—	2.00	0.91	0.88	3.25	18.0
8MPC71S62	3020	71	7.118	7.055	7.60	6.19	A1F	—	2.91	—	2.00	0.91	0.88	3.25	20
8MPC75S62	3020	75	7.519	7.456	7.87	6.56	A1F	—	2.91	—	2.00	0.91	0.88	3.25	23
8MPC80S62	3020	80	8.020	7.957	8.39	7.00	A1F	—	2.91	—	2.00	0.91	0.88	3.25	26
8MPC90S62	3020	90	9.023	8.960	—	7.88	A1	—	2.91	—	2.00	0.91	0.88	3.25	34
8MPC112S62	3020	112	11.229	11.166	—	10.00	A2	—	2.91	6.25	2.00	0.91	0.88	3.25	37
8MPC140S62	3525	140	14.036	13.973	—	11.88	A3	—	2.91	8.75	2.50	0.41	1.19	3.94	79
8MPC180S62	3525	180	18.046	17.983	—	15.44	A3	—	2.91	8.75	2.50	0.41	1.19	3.94	106
8MPC224S62	3525	224	22.457	22.394	—	19.69	A3	—	2.91	8.75	2.50	0.41	1.188	3.938	141

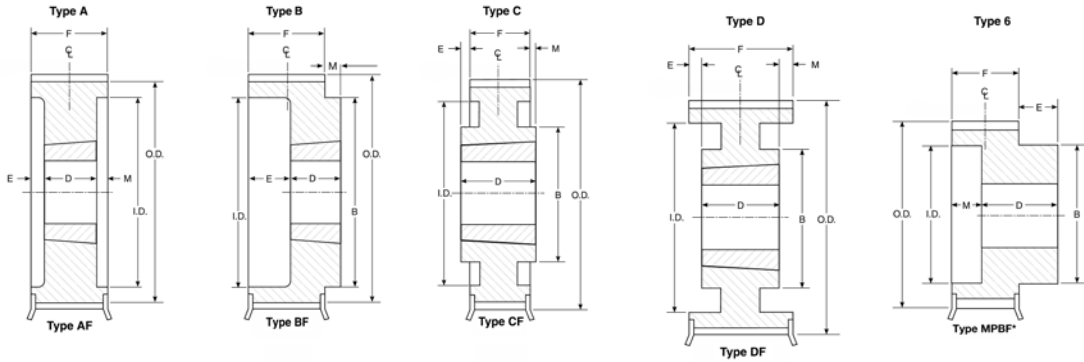
*Bored-to-suit construction, minimum plain bore, no setscrews.

QT Power Chain® II Carbon Sprockets

14mm Sprocket Dimensions

SPROCKET TYPES

The synchronous sprockets listed in the tables below are all stock sizes. All dimensions given are for the sprocket with the Taper-Lock bushing in place and are in inches only. The figure following the type sketch letter in the "type" column indicates the construction: (1-solid, 2-web, 3-arms), and the letter "F" indicates the sprocket has flanges.



PRODUCT NO.	BUSHING	NO. OF TEETH	DIAMETERS			TYPE	DIMENSIONS (INCHES)					BORE		WT.	
			P.D.	O.D.			I.D.	E	F	B	D	M	Min.		Max.
				Sprocket	Flange										
FOR BELTS 20 mm (0.79 in.) WIDE • 14mm PITCH (14MPC)															
14MPC28S20	2012	28	4.912	4.802	5.40	3.50	A1F	—	1.36	—	1.25	0.11	0.50	2.13	5.1
14MPC29S20	2012	29	5.088	4.978	5.76	3.88	A1F	—	1.36	—	1.25	0.11	0.50	2.13	5.6
14MPC30S20	2012	30	5.263	5.153	5.76	3.94	A1F	—	1.36	—	1.25	0.11	0.50	2.13	6.0
14MPC31S20	2012	31	5.439	5.329	6.11	4.06	A1F	—	1.36	—	1.25	0.11	0.50	2.13	6.4
14MPC32S20	2012	32	5.614	5.504	6.11	4.19	A1F	—	1.36	—	1.25	0.11	0.50	2.13	6.8
14MPC33S20	2012	33	5.790	5.680	6.46	4.38	A1F	—	1.36	—	1.25	0.11	0.50	2.13	7.4
14MPC34S20	2012	34	5.965	5.855	6.46	4.50	A1F	—	1.36	—	1.25	0.11	0.50	2.13	7.8
14MPC35S20	2012	35	6.141	6.031	6.82	4.69	A1F	—	1.36	—	1.25	0.11	0.50	2.13	8.4
14MPC36S20	2517	36	6.316	6.206	6.82	—	B1F	—	1.36	4.88	1.75	0.39	0.50	2.69	9.6
14MPC37S20	2517	37	6.492	6.382	7.17	—	B1F	—	1.36	4.88	1.75	0.39	0.50	2.69	10.3
14MPC38S20	2517	38	6.667	6.557	7.17	—	B1F	—	1.36	4.88	1.75	0.39	0.50	2.69	10.7
14MPC39S20	2517	39	6.842	6.732	7.52	—	B1F	—	1.36	4.88	1.75	0.39	0.50	2.69	11.4
14MPC40S20	2517	40	7.018	6.908	7.52	—	B1F	—	1.36	4.88	1.75	0.39	0.50	2.69	11.9
14MPC43S20	2517	43	7.544	7.434	8.04	—	B1F	—	1.36	4.88	1.75	0.39	0.50	2.69	14.0
14MPC45S20	3020	45	7.895	7.785	8.40	—	B1F	—	1.36	6.25	2.00	0.64	0.88	3.25	20
14MPC48S20	3020	48	8.421	8.311	8.94	—	B1F	—	1.36	6.25	2.00	0.64	0.88	3.25	22
14MPC50S20	3020	50	8.772	8.662	9.44	—	B1F	—	1.36	6.25	2.00	0.64	0.88	3.25	23
14MPC53S20	3020	53	9.299	9.189	9.69	—	B1F	—	1.36	6.25	2.00	0.64	0.88	3.25	26
14MPC56S20	3525	56	9.825	9.715	10.63	—	B1F	—	1.36	8.75	2.50	1.14	1.19	3.94	46
14MPC60S20	3525	60	10.527	10.417	11.06	—	B1F	—	1.36	8.75	2.50	1.14	1.19	3.94	50
14MPC63S20	3525	63	11.053	10.943	11.71	—	B1F	—	1.36	8.75	2.50	1.14	1.19	3.94	53
14MPC67S20	3525	67	11.755	11.645	12.50	—	B1F	—	1.36	8.75	2.50	1.14	1.19	3.94	57
14MPC71S20	3525	71	12.457	12.347	13.19	—	B1F	—	1.36	8.75	2.50	1.14	1.19	3.94	62
14MPC75S20	3525	75	13.158	13.048	13.73	11.63	B2F	—	1.36	8.75	2.50	1.14	1.19	3.94	60
14MPC80S20	3525	80	14.036	13.926	14.63	12.50	B2F	—	1.36	8.75	2.50	1.14	1.19	3.94	64
14MPC90S20	3525	90	15.790	15.680	—	14.19	B3	—	1.36	8.75	2.50	1.14	1.19	3.94	62
14MPC112S20	3525	112	19.650	19.540	—	16.88	B3	—	1.36	8.75	2.50	1.14	1.19	3.94	82
14MPC140S20	3525	140	24.562	24.452	—	21.44	B3	—	1.36	8.75	2.50	1.14	1.19	3.94	106
14MPC168S20	3525	168	29.475	29.365	—	26.44	B3	—	1.36	8.75	2.50	1.14	1.19	3.94	132
14MPC180S20	3525	180	31.580	31.470	—	28.44	B3	—	1.36	8.75	2.50	1.14	1.19	3.94	147
14MPC200S20	3525	200	35.089	34.979	—	31.88	B3	—	1.36	8.75	2.50	1.14	1.19	3.94	169
14MPC224S20	4030	224	39.300	39.190	—	36.50	B3	—	1.36	10.00	3.00	1.64	1.44	4.44	190

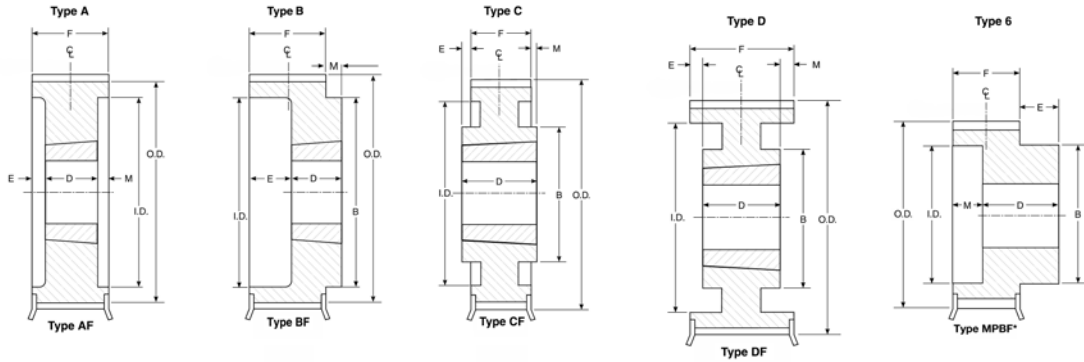
*Bored-to-suit construction, minimum plain bore, no setscrews.

QT Power Chain® II Carbon Sprockets

14mm Sprocket Dimensions

SPROCKET TYPES

The synchronous sprockets listed in the tables below are all stock sizes. All dimensions given are for the sprocket with the Taper-Lock bushing in place and are in inches only. The figure following the type sketch letter in the "type" column indicates the construction: (1-solid, 2-web, 3-arms), and the letter "F" indicates the sprocket has flanges.



PRODUCT NO.	BUSH-ING	NO. OF TEETH	DIAMETERS				TYPE	DIMENSIONS (INCHES)					BORE		WT.
			P.D.	O.D.		I.D.		E	F	B	D	M	Min.	Max.	
				Sprocket	Flange										
FOR BELTS 37 mm (1.46 in.) WIDE • 14mm PITCH (14MPC)															
14MPC28S37	2012	28	4.912	4.802	5.40	3.50	A1F	—	2.06	—	1.25	0.81	0.50	2.13	6.4
14MPC28S37MPB	MPB	28	4.912	4.802	5.40	—	MPB1F	1.00	2.06	3.97	3.06	—	1.*	2.94	11.2
14MPC29S37	2517	29	5.088	4.978	5.76	3.88	A1F	—	2.06	—	1.75	0.31	0.50	2.69	6.5
14MPC30S37	2517	30	5.263	5.153	5.76	3.94	A1F	—	2.06	—	1.75	0.31	0.50	2.69	7.1
14MPC31S37	2517	31	5.439	5.329	6.11	4.06	A1F	—	2.06	—	1.75	0.31	0.50	2.69	7.8
14MPC32S37	2517	32	5.614	5.504	6.11	4.19	A1F	—	2.06	—	1.75	0.31	0.50	2.69	8.4
14MPC33S37	2517	33	5.790	5.680	6.46	4.38	A1F	—	2.06	—	1.75	0.31	0.50	2.69	9.2
14MPC34S37	2517	34	5.965	5.855	6.46	4.50	A1F	—	2.06	—	1.75	0.31	0.50	2.69	9.8
14MPC35S37	2517	35	6.141	6.031	6.82	4.69	A1F	—	2.06	—	1.75	0.31	0.50	2.69	10.7
14MPC36S37	2517	36	6.316	6.206	6.82	4.88	A1F	—	2.06	—	1.75	0.31	0.50	2.69	11.3
14MPC37S37	2517	37	6.492	6.382	7.17	5.06	A1F	—	2.06	—	1.75	0.31	0.50	2.69	12.2
14MPC38S37	3020	38	6.667	6.557	7.17	5.19	A1F	—	2.06	—	2.00	0.06	0.88	3.25	15.3
14MPC39S37	3020	39	6.842	6.732	7.52	5.38	A1F	—	2.06	—	2.00	0.06	0.88	3.25	16.3
14MPC40S37	3020	40	7.018	6.908	7.52	5.50	A1F	—	2.06	—	2.00	0.06	0.88	3.25	17.1
14MPC43S37	3020	43	7.544	7.434	8.04	6.00	A1F	—	2.06	—	2.00	0.06	0.88	3.25	20
14MPC45S37	3020	45	7.895	7.785	8.40	6.38	A1F	—	2.06	—	2.00	0.06	0.88	3.25	22
14MPC48S37	3020	48	8.421	8.311	8.94	6.88	A1F	—	2.06	—	2.00	0.06	0.88	3.25	26
14MPC50S37	3020	50	8.772	8.662	9.44	7.25	A1F	—	2.06	—	2.00	0.06	0.88	3.25	28
14MPC53S37	3020	53	9.299	9.189	9.69	7.50	A1F	—	2.06	—	2.00	0.06	0.88	3.25	31
14MPC56S37	3525	56	9.825	9.715	10.63	—	B1F	—	2.06	8.75	2.50	0.44	1.19	3.94	48
14MPC60S37	3525	60	10.527	10.417	11.06	—	B1F	—	2.06	8.75	2.50	0.44	1.19	3.94	54
14MPC63S37	3525	63	11.053	10.943	11.71	—	B1F	—	2.06	8.75	2.50	0.44	1.19	3.94	58
14MPC67S37	3525	67	11.755	11.645	12.50	—	B1F	—	2.06	8.75	2.50	0.44	1.19	3.94	65
14MPC71S37	3525	71	12.457	12.347	13.19	—	B1F	—	2.06	8.75	2.50	0.44	1.19	3.94	72
14MPC75S37	3525	75	13.158	13.048	13.73	11.63	B2F	—	2.06	8.75	2.50	0.44	1.19	3.94	64
14MPC80S37	3525	80	14.036	13.926	14.63	12.50	B2F	—	2.06	8.75	2.50	0.44	1.19	3.94	68
14MPC90S37	3525	90	15.790	15.680	—	14.19	B3	—	2.06	8.75	2.50	0.44	1.19	3.94	70
14MPC112S37	3525	112	19.650	19.540	—	16.75	B3	—	2.06	8.75	2.50	0.44	1.19	3.94	99
14MPC140S37	3525	140	24.562	24.452	—	21.31	B3	—	2.06	8.75	2.50	0.44	1.19	3.94	135
14MPC168S37	4030	168	29.475	29.365	—	26.00	B3	—	2.06	10.00	3.00	0.94	1.44	4.44	192
14MPC180S37	4030	180	31.580	31.470	—	28.06	B3	—	2.06	10.00	3.00	0.94	1.44	4.44	210
14MPC200S37	4030	200	35.089	34.979	—	31.56	B3	—	2.06	10.00	3.00	0.94	1.44	4.44	238
14MPC224S37	4030	224	39.300	39.190	—	35.25	B3	—	2.06	10.00	3.00	0.94	1.44	4.44	284

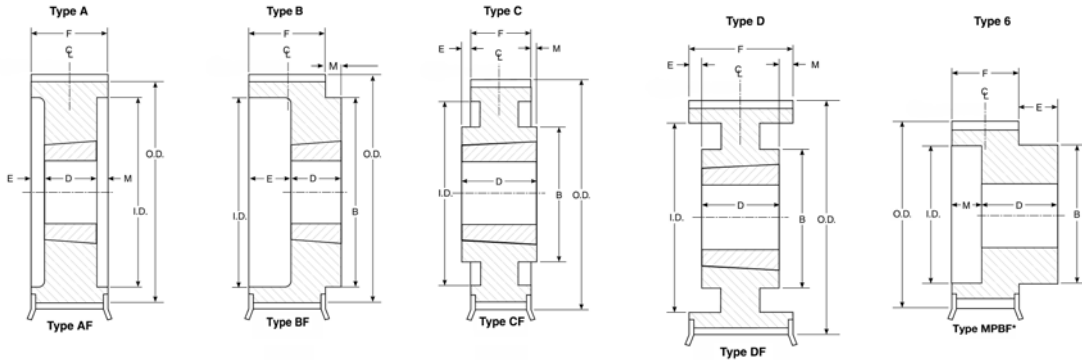
*Bored-to-suit construction, minimum plain bore, no setscrews.

QT Power Chain® II Carbon Sprockets

14mm Sprocket Dimensions

SPROCKET TYPES

The synchronous sprockets listed in the tables below are all stock sizes. All dimensions given are for the sprocket with the Taper-Lock bushing in place and are in inches only. The figure following the type sketch letter in the "type" column indicates the construction: (1-solid, 2-web, 3-arms), and the letter "F" indicates the sprocket has flanges.



PRODUCT NO.	BUSHING	NO. OF TEETH	DIAMETERS				TYPE	DIMENSIONS (INCHES)					BORE		WT.
			P.D.	O.D.		I.D.		E	F	B	D	M	Min.	Max.	
				Sprocket	Flange										
FOR BELTS 68 mm (2.68 in.) WIDE • 14mm PITCH (14MPC)															
14MPC28S68MPB	MPB	28	4.912	4.802	5.40	—	MPB1F	1.00	3.33	3.97	4.33	—	1.00*	2.94	16.4
14MPC29S68	2517	29	5.088	4.978	5.76	3.88	A1F	—	3.33	—	1.75	1.58	0.50	2.69	8.5
14MPC29S68MPB	MPB	29	5.088	4.978	5.76	—	MPB1F	1.00	3.33	4.35	4.33	—	1.00*	3.19	18.3
14MPC30S68	2517	30	5.263	5.153	5.76	3.94	A1F	—	3.33	—	1.75	1.58	0.50	2.69	9.4
14MPC30S68MPB	MPB	30	5.263	5.153	5.76	—	MPB1F	1.00	3.33	4.35	4.33	—	1.00*	3.19	19.3
14MPC31S68	2517	31	5.439	5.329	6.11	4.06	A1F	—	3.33	—	1.75	1.58	0.50	2.69	10.3
14MPC31S68MPB	MPB	31	5.439	5.329	6.11	—	MPB1F	1.13	3.33	4.57	4.46	—	1.00*	3.44	22.0
14MPC32S68	2517	32	5.614	5.504	6.11	4.19	A1F	—	3.33	—	1.75	1.58	0.50	2.69	11.1
14MPC32S68MPB	MPB	32	5.614	5.504	6.11	—	MPB1F	1.13	3.33	4.57	4.46	—	1.00*	3.44	23.0
14MPC33S68	2517	33	5.790	5.680	6.46	4.38	A1F	—	3.33	—	1.75	1.58	0.50	2.69	11.9
14MPC33S68MPB	MPB	33	5.790	5.680	6.46	—	MPB1F	1.13	3.33	4.89	4.46	—	1.00*	3.50	25.0
14MPC34S68	2517	34	5.965	5.855	6.46	4.50	A1F	—	3.33	—	1.75	1.58	0.50	2.69	12.8
14MPC34S68MPB	MPB	34	5.965	5.855	6.46	—	MPB1F	1.13	3.33	4.89	4.46	—	1.00*	3.50	26.0
14MPC35S68	3020	35	6.141	6.031	6.82	4.75	A1F	—	3.33	—	2.00	1.33	0.88	3.25	15.7
14MPC36S68	3020	36	6.316	6.206	6.82	4.88	A1F	—	3.33	—	2.00	1.33	0.88	3.25	16.7
14MPC37S68	3020	37	6.492	6.382	7.17	5.06	A1F	—	3.33	—	2.00	1.33	0.88	3.25	17.7
14MPC38S68	3020	38	6.667	6.557	7.17	5.19	A1F	—	3.33	—	2.00	1.33	0.88	3.25	18.7
14MPC39S68	3020	39	6.842	6.732	7.52	5.38	A1F	—	3.33	—	2.00	1.33	0.88	3.25	19.8
14MPC40S68	3020	40	7.018	6.908	7.52	5.50	A1F	—	3.33	—	2.00	1.33	0.88	3.25	21
14MPC43S68	3020	43	7.544	7.434	8.04	6.00	A1F	—	3.33	—	2.00	1.33	0.88	3.25	24
14MPC45S68	3020	45	7.895	7.785	8.40	6.38	A1F	—	3.33	—	2.00	1.33	0.88	3.25	26
14MPC48S68	3525	48	8.421	8.311	8.94	6.88	A1F	—	3.33	—	2.50	0.83	1.19	3.94	40
14MPC50S68	3525	50	8.772	8.662	9.44	7.25	A1F	—	3.33	—	2.50	0.83	1.19	3.94	43
14MPC53S68	3525	53	9.299	9.189	9.69	7.50	A1F	—	3.33	—	2.50	0.83	1.19	3.94	48
14MPC56S68	3525	56	9.825	9.715	10.63	8.25	A1F	—	3.33	—	2.50	0.83	1.19	3.94	53
14MPC60S68	3525	60	10.527	10.417	11.06	8.88	A1F	—	3.33	—	2.50	0.83	1.19	3.94	60
14MPC63S68	3525	63	11.053	10.943	11.71	9.38	A1F	—	3.33	—	2.50	0.83	1.19	3.94	66
14MPC67S68	3525	67	11.755	11.645	12.50	10.25	A1F	—	3.33	—	2.50	0.83	1.19	3.94	74
14MPC71S68	3525	71	12.457	12.347	13.19	10.94	A1F	—	3.33	—	2.50	0.83	1.19	3.94	83
14MPC75S68	3525	75	13.158	13.048	13.73	11.63	A2F	—	3.33	8.75	2.50	0.83	1.19	3.94	75
14MPC80S68	3525	80	14.036	13.926	14.63	12.50	A2F	—	3.33	8.75	2.50	0.83	1.19	3.94	81
14MPC90S68	4030	90	15.790	15.680	—	14.19	A2	—	3.33	10.00	3.00	0.33	1.44	4.44	110
14MPC112S68	4030	112	19.650	19.540	—	16.75	A3	—	3.33	10.00	3.00	0.33	1.44	4.44	148
14MPC140S68	4030	140	24.562	24.452	—	21.25	A3	—	3.33	10.00	3.00	0.33	1.44	4.44	200
14MPC168S68	4535	168	29.475	29.365	—	25.75	B3	—	3.33	10.50	3.50	0.17	1.94	4.94	279
14MPC180S68	4535	180	31.580	31.470	—	27.69	B3	—	3.33	10.50	3.50	0.17	1.94	4.94	306
14MPC200S68	4535	200	35.089	34.979	—	31.19	B3	—	3.33	10.50	3.50	0.17	1.94	4.94	354
14MPC224S68	5040	224	39.300	39.190	—	35.38	B3	—	3.33	11.00	4.00	0.67	2.44	5.00	425

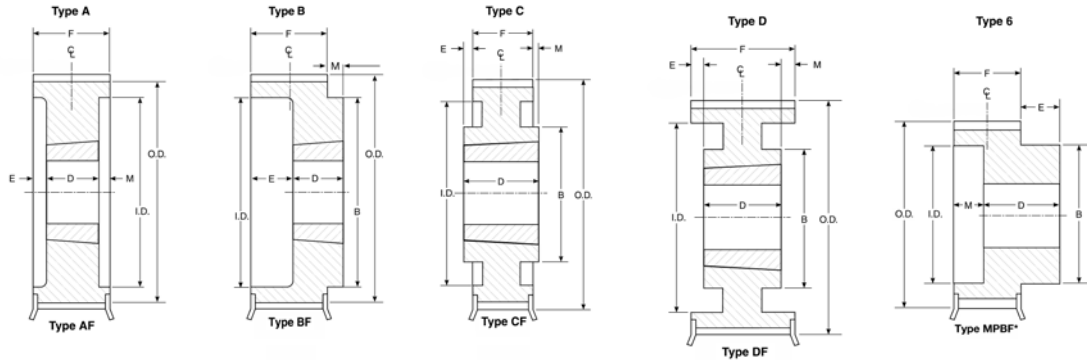
*Bored-to-suit construction, minimum plain bore, no setscrews.

QT Power Chain® II Carbon Sprockets

14mm Sprocket Dimensions

SPROCKET TYPES

The synchronous sprockets listed in the tables below are all stock sizes. All dimensions given are for the sprocket with the Taper-Lock bushing in place and are in inches only. The figure following the type sketch letter in the "type" column indicates the construction: (1-solid, 2-web, 3-arms), and the letter "F" indicates the sprocket has flanges.



PRODUCT NO.	BUSHING	NO. OF TEETH	DIAMETERS				TYPE	DIMENSIONS (INCHES)					BORE		WT.
			P.D.	O.D.		I.D.		E	F	B	D	M	Min.	Max.	
				Sprocket	Flange										
FOR BELTS 90 mm (3.54 in.) WIDE • 14mm PITCH (14MPC)															
14MPC28S90MPB	MPB	28	4.912	4.802	5.40	—	MPB1F	1.00	4.20	3.97	5.20	—	1.50*	2.94	18.6
14MPC29S90MPB	MPB	29	5.088	4.978	5.76	—	MPB1F	1.00	4.20	4.35	5.20	—	1.50*	3.19	21.0
14MPC30S90MPB	MPB	30	5.263	5.153	5.76	—	MPB1F	1.00	4.20	4.35	5.20	—	1.50*	3.19	22.0
14MPC31S90MPB	MPB	31	5.439	5.329	6.11	—	MPB1F	1.13	4.20	4.57	5.33	—	1.50*	3.44	25.0
14MPC32S90MPB	MPB	32	5.614	5.504	6.11	—	MPB1F	1.13	4.20	4.57	5.33	—	1.50*	3.44	26.0
14MPC33S90MPB	MPB	33	5.790	5.680	6.46	—	MPB1F	1.13	4.20	4.89	5.33	—	1.50*	3.50	28.0
14MPC34S90MPB	MPB	34	5.965	5.855	6.46	—	MPB1F	1.13	4.20	4.89	5.33	—	1.50*	3.50	30.0
14MPC35S90	3020	35	6.141	6.031	6.82	4.75	A1F	—	4.20	—	2.00	2.20	0.88	3.25	17.7
14MPC35S90MPB	MPB	35	6.141	6.031	6.82	—	MPB1F	1.13	4.20	5.30	5.33	—	1.50*	3.81	33.0
14MPC36S90	3020	36	6.316	6.206	6.82	4.88	A1F	—	4.20	—	2.00	2.20	0.88	3.25	18.8
14MPC36S90MPB	MPB	36	6.316	6.206	6.82	—	MPB1F	1.13	4.20	5.30	5.33	—	1.50*	3.81	34.0
14MPC37S90	3020	37	6.492	6.382	7.17	5.06	A1F	—	4.20	—	2.00	2.20	0.88	3.25	19.9
14MPC37S90MPB	MPB	37	6.492	6.382	7.17	—	MPB1F	1.13	4.20	5.63	5.33	—	1.50*	4.13	37
14MPC38S90	3020	38	6.667	6.557	7.17	5.19	A1F	—	4.20	—	2.00	2.20	0.88	3.25	21
14MPC38S90MPB	MPB	38	6.667	6.557	7.17	—	MPB1F	1.13	4.20	5.63	5.33	—	1.50*	4.13	39
14MPC39S90	3020	39	6.842	6.732	7.52	5.38	A1F	—	4.20	—	2.00	2.20	0.88	3.25	22
14MPC39S90MPB	MPB	39	6.842	6.732	7.52	—	MPB1F	1.13	4.20	5.89	5.33	—	1.50*	4.38	42
14MPC40S90	3020	40	7.018	6.908	7.52	5.50	A1F	—	4.20	—	2.00	2.20	0.88	3.25	23
14MPC40S90MPB	MPB	40	7.018	6.908	7.52	—	MPB1F	1.13	4.20	5.89	5.33	—	1.50*	4.38	44
14MPC43S90	3525	43	7.544	7.434	8.04	6.00	A1F	—	4.20	—	2.50	1.70	1.19	3.94	36
14MPC45S90	3525	45	7.895	7.785	8.40	6.38	A1F	—	4.20	—	2.50	1.70	1.19	3.94	38
14MPC48S90	3525	48	8.421	8.311	8.94	6.88	A1F	—	4.20	—	2.50	1.70	1.19	3.94	43
14MPC50S90	3525	50	8.772	8.662	9.44	7.25	A1F	—	4.20	—	2.50	1.70	1.19	3.94	46
14MPC53S90	3525	53	9.299	9.189	9.69	7.50	A1F	—	4.20	—	2.50	1.70	1.19	3.94	52
14MPC56S90	4030	56	9.825	9.715	10.63	8.25	A1F	—	4.20	—	3.00	1.20	1.44	4.44	65
14MPC60S90	4030	60	10.527	10.417	11.06	8.88	A1F	—	4.20	—	3.00	1.20	1.44	4.44	74
14MPC63S90	4030	63	11.053	10.943	11.71	9.38	A1F	—	4.20	—	3.00	1.20	1.44	4.44	81
14MPC67S90	4030	67	11.755	11.645	12.50	10.25	A1F	—	4.20	—	3.00	1.20	1.44	4.44	90
14MPC71S90	4030	71	12.457	12.347	13.19	10.94	A1F	—	4.20	—	3.00	1.20	1.44	4.44	101
14MPC75S90	4030	75	13.158	13.048	13.73	11.63	A1F	—	4.20	—	3.00	1.20	1.44	4.44	115
14MPC80S90	4030	80	14.036	13.926	14.63	12.50	A1F	—	4.20	—	3.00	1.20	1.44	4.44	127
14MPC90S90	4030	90	15.790	15.680	—	14.19	A2	—	4.20	10.00	3.00	1.20	1.44	4.44	122
14MPC112S90	4535	112	19.650	19.540	—	16.75	A2	—	4.20	10.50	3.50	0.70	1.94	4.94	201
14MPC140S90	5040	140	24.562	24.452	—	21.19	A3	—	4.20	11.00	4.00	0.20	2.44	5.00	269
14MPC168S90	6050	168	29.475	29.365	—	25.63	B3	—	4.20	15.50	5.00	0.80	4.44	6.00	445
14MPC180S90	6050	180	31.580	31.470	—	27.63	B3	—	4.20	15.50	5.00	0.80	4.44	6.00	481
14MPC200S90	6050	200	35.089	34.979	—	30.88	B3	—	4.20	15.50	5.00	0.80	4.44	6.00	542
14MPC224S90	6050	224	39.300	39.190	—	35.06	B3	—	4.20	15.50	5.00	0.80	4.44	6.00	613

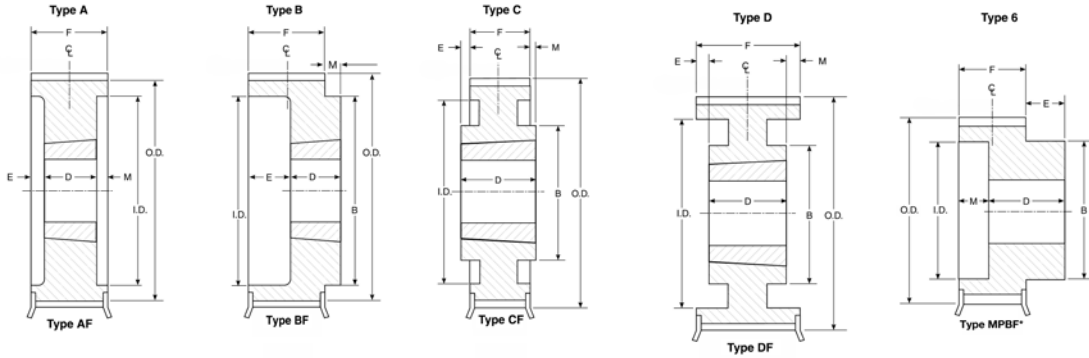
*Bored-to-suit construction, minimum plain bore, no setscrews.

QT Power Chain® II Carbon Sprockets

14mm Sprocket Dimensions

SPROCKET TYPES

The synchronous sprockets listed in the tables below are all stock sizes. All dimensions given are for the sprocket with the Taper-Lock bushing in place and are in inches only. The figure following the type sketch letter in the "type" column indicates the construction: (1-solid, 2-web, 3-arms), and the letter "F" indicates the sprocket has flanges.



PRODUCT NO.	BUSHING	NO. OF TEETH	DIAMETERS			TYPE	DIMENSIONS (INCHES)					BORE		WT.	
			P.D.	O.D.			I.D.	E	F	B	D	M	Min.		Max.
				Sprocket	Flange										
FOR BELTS 125 mm (2.68 in.) WIDE • 14mm PITCH (14MPC)															
14MPC28S125MPB	MPB	28	4.912	4.802	5.40	—	MPB1F	1.00	5.61	3.97	6.61	—	1.50*	2.94	24
14MPC29S125MPB	MPB	29	5.088	4.978	5.76	—	MPB1F	1.00	5.61	4.35	6.61	—	1.50*	3.19	27
14MPC30S125MPB	MPB	30	5.263	5.153	5.76	—	MPB1F	1.00	5.61	4.35	6.61	—	1.50*	3.19	29
14MPC31S125MPB	MPB	31	5.439	5.329	6.11	—	MPB1F	1.13	5.61	4.57	6.74	—	1.50*	3.44	31
14MPC32S125MPB	MPB	32	5.614	5.504	6.11	—	MPB1F	1.13	5.61	4.57	6.74	—	1.50*	3.44	33
14MPC33S125MPB	MPB	33	5.790	5.608	6.46	—	MPB1F	1.13	5.61	4.89	6.74	—	1.50*	3.50	36
14MPC34S125MPB	MPB	34	5.965	5.855	6.46	—	MPB1F	1.13	5.61	4.89	6.74	—	1.50*	3.50	39
14MPC35S125MPB	MPB	35	6.141	6.031	6.82	—	MPB1F	1.13	5.61	5.30	6.74	—	1.50*	3.81	42
14MPC36S125MPB	MPB	36	6.316	6.206	6.82	—	MPB1F	1.13	5.61	5.30	6.74	—	1.50*	3.81	44
14MPC37S125MPB	MPB	37	6.492	6.382	7.17	—	MPB1F	1.13	5.61	5.63	6.74	—	1.50*	4.13	48
14MPC38S125MPB	MPB	38	6.667	6.557	7.17	—	MPB1F	1.13	5.61	5.63	6.74	—	1.50*	4.13	50
14MPC39S125MPB	MPB	39	6.842	6.732	7.52	—	MPB1F	1.13	5.61	5.89	6.74	—	1.50*	4.38	53
14MPC40S125MPB	MPB	40	7.018	6.908	7.52	—	MPB1F	1.13	5.61	5.89	6.74	—	1.50*	4.38	56
14MPC43S125MPB	MPB	43	7.544	7.434	8.04	—	MPB1F	1.31	5.61	6.50	6.92	—	1.50*	4.81	68
14MPC45S125MPB	MPB	45	7.895	7.785	8.40	—	MPB1F	1.31	5.61	6.75	6.92	—	1.50*	5.00	74
14MPC48S125MPB	MPB	48	8.421	8.311	8.94	—	MPB1F	1.31	5.61	7.29	6.92	—	1.50*	5.63	86
14MPC50S125	4535	50	8.772	8.662	9.44	7.34	A1F	—	5.61	—	3.50	2.11	1.94	4.94	61
14MPC53S125	4535	53	9.299	9.189	9.69	7.50	A1F	—	5.61	—	3.50	2.11	1.94	4.94	70
14MPC56S125	4535	56	9.825	9.715	10.63	8.25	A1F	—	5.61	—	3.50	2.11	1.94	4.94	77
14MPC60S125	4535	60	10.527	10.417	11.06	8.88	A1F	—	5.61	—	3.50	2.11	1.94	4.94	88
14MPC63S125	4535	63	11.053	10.943	11.71	9.38	A1F	—	5.61	—	3.50	2.11	1.94	4.94	96
14MPC67S125	4535	67	11.755	11.645	12.50	10.25	A1F	—	5.61	—	3.50	2.11	1.94	4.94	107
14MPC71S125	5040	71	12.457	12.347	13.19	10.94	A1F	—	5.61	—	4.00	1.61	2.44	5.00	130
14MPC75S125	5040	75	13.158	13.048	13.73	11.63	A1F	—	5.61	—	4.00	1.61	2.44	5.00	145
14MPC80S125	5040	80	14.036	13.926	14.63	12.50	A1F	—	5.61	—	4.00	1.61	2.44	5.00	165
14MPC90S125	5040	90	15.790	15.680	—	14.19	A2	—	5.61	11.00	4.00	1.61	2.44	5.00	167
14MPC112S125	6050	112	19.650	19.540	—	16.75	A1	—	5.61	—	5.00	0.61	4.44	6.00	375
14MPC140S125	6050	140	24.562	24.452	—	21.19	A2	—	5.61	15.50	5.00	0.61	4.44	6.00	463
14MPC168S125	7060	168	29.475	29.365	—	25.63	B3	—	5.61	17.00	6.00	0.39	4.94	7.00	603
14MPC180S125	7060	180	31.580	31.470	—	27.63	B3	—	5.61	17.00	6.00	0.39	4.94	7.00	646
14MPC200S125	7060	200	35.089	34.979	—	30.88	B3	—	5.61	17.00	6.00	0.39	4.94	7.00	735
14MPC224S125	7060	224	39.300	39.190	—	34.88	B3	—	5.61	17.00	6.00	0.39	4.94	7.00	824

*Bored-to-suit construction, minimum plain bore, no setscrews.

QT Power Chain® II Carbon Belts

Belt Specifications & Dimensions

QT POWER CHAIN II CARBON 8mm BELTS

Belt Pitch	Pitch Length (mm)	Pitch Length (inches)	No. of Teeth	Approx. Weight (Lbs)			
				12mm. (0.47in.)	21mm. (0.82in.)	36mm. (1.42in.)	62mm. (2.44in.)
8MPCC	640	25.20	80	0.08	0.15	0.25	0.43
8MPCC	720	28.35	90	0.08	0.16	0.28	0.48
8MPCC	800	31.50	100	0.10	0.18	0.31	0.54
8MPCC	896	35.28	112	0.12	0.20	0.35	0.60
8MPCC	960	37.80	120	0.13	0.22	0.37	0.65
8MPCC	1000	39.37	125	0.13	0.23	0.39	0.67
8MPCC	1040	40.95	130	0.14	0.24	0.41	0.69
8MPCC	1120	44.09	140	0.15	0.26	0.44	0.75
8MPCC	1200	47.24	150	0.16	0.27	0.47	0.81
8MPCC	1224	48.19	153	0.17	0.29	0.48	0.82
8MPCC	1280	50.39	160	0.17	0.29	0.50	0.86
8MPCC	1440	56.69	180	0.19	0.33	0.56	0.97
8MPCC	1600	62.99	200	0.21	0.36	0.62	1.08
8MPCC	1760	69.29	220	0.22	0.41	0.70	1.17
8MPCC	1792	70.55	224	0.23	0.43	0.70	1.21
8MPCC	2000	78.74	250	0.26	0.46	0.78	1.35
8MPCC	2200	86.61	275	0.28	0.50	0.86	1.48
8MPCC	2240	88.19	280	0.29	0.51	0.87	1.51
8MPCC	2400	94.49	300	0.31	0.55	0.94	1.61
8MPCC	2520	99.21	315	0.33	0.57	0.98	1.70
8MPCC	2600	102.36	325	0.34	0.59	1.02	1.75
8MPCC	2800	110.24	350	0.36	0.64	1.09	1.88
8MPCC	2840	111.81	355	0.37	0.65	1.11	1.91
8MPCC	3048	120.00	381	0.40	0.69	1.19	2.15
8MPCC	3200	125.98	400	0.44	0.82	1.25	2.16
8MPCC	3280	129.13	410	0.47	0.75	1.28	2.21
8MPCC	3600	141.73	450	0.52	0.82	1.41	2.42
8MPCC	4000	157.48	500	0.55	0.91	1.56	2.69
8MPCC	4400	173.23	550	0.56	1.00	1.72	2.96
8MPCC	4480	176.38	560	0.58	1.02	1.75	3.01

Part Number Example:

8MPCC96021

(8MPCC = Belt Pitch)
(960 = Belt Length (mm))
(21 = Belt Width (mm))

QT POWER CHAIN II CARBON 14mm BELTS

Belt Pitch	Pitch Length (mm)	Pitch Length (inches)	No. of Teeth	Approx. Weight (Lbs)				
				20mm. 0.79in.	37mm. 1.46in.	68mm. 2.68in.	90mm. 3.54in.	125mm. 4.92in.
14MPCC	994	39.13	71	0.33	0.62	1.13	1.50	2.08
14MPCC	1120	44.09	80	0.39	0.69	1.27	1.68	2.34
14MPCC	1190	46.85	85	0.40	0.74	1.35	1.79	2.49
14MPCC	1260	49.61	90	0.42	0.78	1.43	1.89	2.64
14MPCC	1400	55.12	100	0.47	0.87	1.59	2.10	2.93
14MPCC	1568	61.73	112	0.53	0.97	1.78	2.36	3.28
14MPCC	1610	63.39	115	0.55	1.01	1.82	2.44	3.78
14MPCC	1750	68.90	125	0.59	1.08	1.99	2.63	3.66
14MPCC	1890	74.41	135	0.64	1.16	2.15	2.85	3.95
14MPCC	1960	77.17	140	0.66	1.21	2.23	2.95	4.10
14MPCC	2100	82.68	150	0.71	1.30	2.39	3.16	4.39
14MPCC	2240	88.19	160	0.75	1.39	2.55	3.37	4.69
14MPCC	2310	90.95	165	0.79	1.43	2.63	3.48	4.83
14MPCC	2380	93.70	170	0.80	1.47	2.71	3.59	4.98
14MPCC	2450	96.46	175	0.84	1.52	2.79	3.69	5.13
14MPCC	2520	99.21	180	0.85	1.56	2.87	3.80	5.27
14MPCC	2590	101.97	185	0.88	1.60	2.95	3.90	5.42
14MPCC	2660	104.72	190	0.89	1.65	3.03	4.01	5.57
14MPCC	2800	110.24	200	0.94	1.73	3.19	4.22	5.86
14MPCC	3136	123.46	224	1.05	1.94	3.57	4.72	6.56
14MPCC	3304	130.08	236	1.11	2.05	3.76	4.98	6.91
14MPCC	3360	132.28	240	1.12	2.08	3.82	5.06	7.03
14MPCC	3500	137.80	250	1.18	2.17	3.98	5.27	7.32
14MPCC	3850	151.58	275	1.28	2.38	4.38	5.80	8.05
14MPCC	3920	154.33	280	1.32	2.43	4.46	5.90	8.20
14MPCC	4326	170.32	309	1.43	2.68	4.93	6.52	9.05
14MPCC	4410	173.62	315	1.48	2.73	5.02	6.64	9.23

Part Number Example:

14MPCC2800125

(14MPCC = Belt Pitch)
(2800 = Belt Length (mm))
(125 = Belt Width (mm))

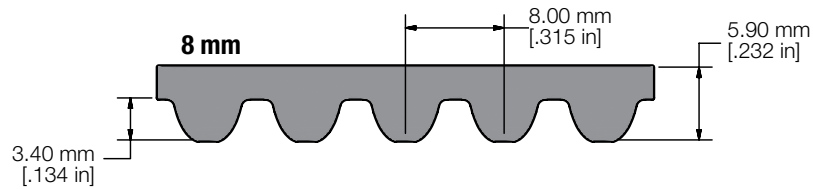
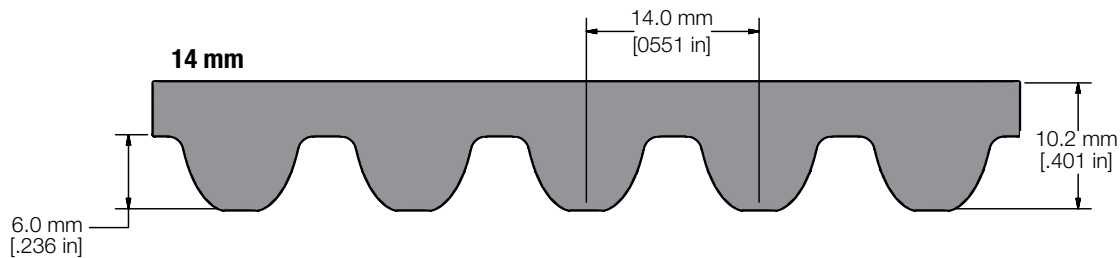
QT Power Chain® II Carbon Belts

Belt Specifications & Dimensions

Belt Belt Length (mm)	Center *Std. Length Tolerances (mm) (Center-to-Center)	Distance Belt Length (mm)	Tolerance *Std. Length Tolerances (mm) (Center-to-Center)
Over 254 to 381	±0.23	Over 2286 to 2540	±0.52
Over 381 to 508	±0.25	Over 2540 to 2794	±0.54
Over 508 to 762	±0.30	Over 2794 to 3048	±0.56
Over 762 to 1016	±0.33	Over 3048 to 3302	±0.58
Over 1016 to 1270	±0.38	Over 3302 to 3556	±0.60
Over 1270 to 1524	±0.41	Over 3556 to 3810	±0.63
Over 1524 to 1778	±0.43	Over 3810 to 4064	±0.66
Over 1778 to 2032	±0.46	Over 4064 to 4318	±0.69
Over 2032 to 2286	±0.49	Over 4318 to 4572	±0.72

*NOTE: The length tolerances given for positive drive belts refer to the center to center tolerance between belts when checked on a standard measuring fixture. The actual pitch length tolerance is twice the value shown. If a special tension member is used consult the factory for proper length tolerances.

BELT DIMENSIONS



QT Power Chain® II Carbon Drive Selection

Service Factor

Table 1

DriveN Machine	DriveR					
	AC Motors: Normal Torque, Squirrel Cage, Synchronous, Split Phase, Inverter Controlled			AC Motors: High Torque, High Slip, Repulsion-Induction, Single Phase, Series Wound, Slip Ring.		
	DC Motors: Shunt Wound, Stepper Motors			DC Motors: Series Wound, Compound Wound, Servo Motors.		
	Engines: Multiple Cylinder Internal Combustion.			Engines: Single Cylinder Internal Combustion. Line shafts Clutches		
Intermittent Service	Normal Service	Continuous Service	Intermittent Service	Normal Service	Continuous Service	
Up to 8 Hours Daily or Seasonal	8-16 Hours Daily	16-24 Hours Daily	Up to 8 Hours Daily or Seasonal	8-16 Hours Daily	16-24 Hours Daily	
The driveN machines listed below are representative samples only. Select a driveN machine whose load characteristics most closely approximate those of the machine being considered.						
Display, Dispensing Equipment Instrumentation Measuring Equipment Medical Equipment Office, Projection Equipment	1.0	1.2	1.4	1.2	1.4	1.6
Appliances, Sweepers, Sewing Machines Screens, Oven Screens, Drum, Conical Woodworking Equipment: (Light) Band Saws, Drills, Lathes	1.1	1.3	1.5	1.3	1.5	1.7
Agitators for Liquids Conveyors: Belt, Light Package Drill Press, Lathes, Saws Laundry Machinery Woodworking Equipment: (Heavy) Circular Saws, Joiners, Planers	1.2	1.4	1.6	1.6	1.8	2.0
Agitators: Semi-liquid Compressors: Centrifugal Conveyor Belt: Coal, Ore, Sand Dough Mixers Line Shafts Machine Tools: Grinder, Shaper Boring Mill, Milling Machines Paper Machinery (except Pulpers) Presses, Punches, Shears Printing Machinery Pumps: Centrifugal, Gear Screens: Revolving, Vibratory	1.3	1.5	1.7	1.6	1.8	2.0
Brick Machinery (except Pug Mills) Conveyor: Apron, Pan, Bucket, Elevator Extractors, Washers Fans, Centrifugal Blowers Generators & Exciters Hoists Rubber Calendar, Mills, Extruders	1.4	1.6	1.8	1.8	2.0	2.2
Centrifuges Screw Conveyors Hammer Mills Paper Pulpers Textile Machinery	1.5	1.7	1.9	1.9	2.1	2.3
Blowers: Positive Displacement Mine Fans Pulverizers	1.6	1.8	2.0	2.0	2.2	2.4
Compressors, Reciprocating Crushers: Gyratory, Jaw, Roll Mills: Ball, Rod, Pebble, etc. Pumps, Reciprocating Saw Mill Equipment	1.7	1.9	2.1	2.1	2.3	2.5

QT Power Chain® II Carbon Drive Selection

Service Factor & NEMA Minimum Pitch

Service Factor Adjustments

Operating Conditions

Add for each idler Add 0.2

Speed-up Drives

For speed-up drives, add to the basic service factor the additional factor given below.

Speed-up Ratio Range	Additional Factor	Speed-up Ratio Range	Additional Factor
1 to 1.24	none	2.50 to 3.49	.30
1.25 to 1.74	.10	3.50 & over	.40
1.75 to 2.49	.20		

Unusual Conditions

Additional service factors are required for unusual conditions — such as load reversal, heavy shock, plugged motor stop, electric brake. These should be determined by a transmission specialist.

Note:

When the driveN sprocket is used as a flywheel to reduce speed fluctuations a specially constructed sprocket may be required. Obtain the WR2 of the unit and consult TB Wood's Engineering.

**Minimum Recommended Sprocket Pitch Diameters for General Purpose
Electric Motors Synchronous Belts
Table 2**

Motor Horsepower	Motor RPM (60 Cycle and 50 Cycle Electric Motors)					
	575 485*	690 575*	870 725*	1160 950*	1750 1425*	3450 2850*
1/2	—	—	2.0	—	—	—
3/4	—	—	2.2	2.0	—	—
1	2.7	2.3	2.2	2.2	2.0	—
1 1/2	2.7	2.7	2.2	2.2	2.2	2.0
2	3.4	2.7	2.7	2.2	2.2	2.2
3	4.1	3.4	2.7	2.7	2.2	2.2
5	4.1	4.1	3.4	2.7	2.7	2.2
7 1/2	4.7	4.1	4.0	3.4	2.7	2.7
10	5.4	4.7	4.0	4.0	3.4	2.7
15	6.1	5.4	4.7	4.0	4.0	3.4
20	7.4	6.1	5.4	4.7	4.0	4.0
25	8.1	7.4	6.1	5.4	4.0	4.0
30	9.0	8.1	6.1	6.1	4.7	—
40	9.0	9.0	7.4	6.1	5.4	—
50	9.9	9.0	7.6	7.4	6.1	—
60	10.8	9.9	9.0	7.2	6.7	—
75	12.6	11.7	8.6	9.0	7.7	—
100	16.2	13.5	10.8	9.0	7.7	—
125	18.0	16.2	13.5	10.8	9.5#	—
150	19.8	18.0	16.2	11.7	9.5	—
200	19.8	19.8	19.8	—	11.9	—
250	19.8	19.8	—	—	—	—
300	24.3	24.3	—	—	—	—

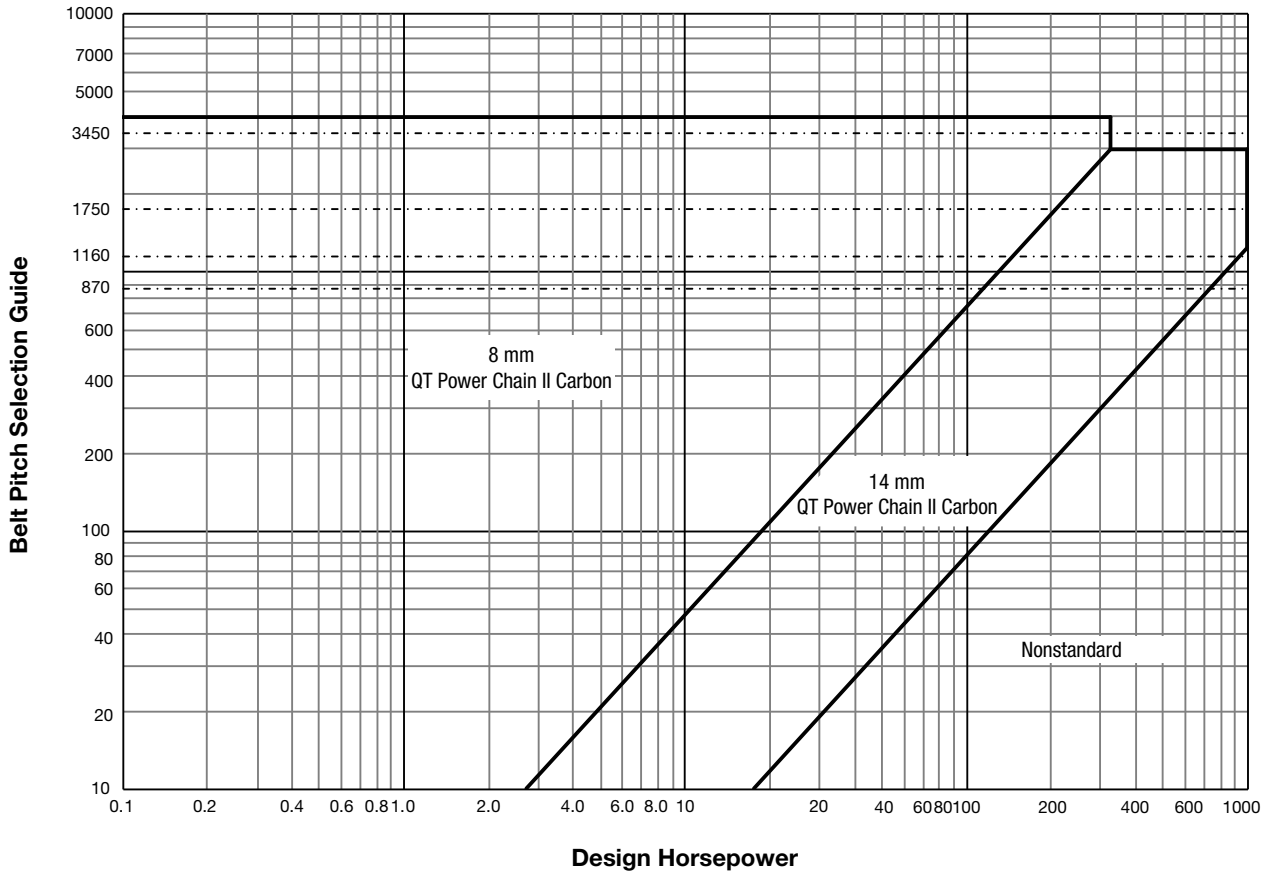
* Indicates 50 cycle RPM electric motors. # Frame 444T use 8.6.

Data in the white area is from NEMA Standards MG-1-14-42 of June 1972 and MG-1-14-43 of January 1968. The data in the shaded area is a composite of various motor manufacturers data. They are usually conservative, and a smaller sprocket may be permitted. Consult the motor manufacturer data.

QT Power Chain® II Carbon Drive Selection

Pitch Selection

Belt Pitch Selection Guide
Table 3



QT Power Chain® II Carbon Drive Selection

Standard Belt Drive Selection Procedure

Selection of a stock QT Power Chain II Carbon Belt Drive System involves these five steps:

1. Calculate the Design Horsepower
2. Select the Belt Pitch
3. Select the Sprockets And Belt Length
4. Select the Proper Belt Width
5. Check and Specify Stock Drive Component

Sample Drive Selection Problem

A gear pump is to be driven by a 40 HP normal torque electric motor with an output speed of 1160 RPM. The gear pump is to be driven at 580 RPM $\pm 5\%$. The center distance is to be approximately 30 inches, but can be altered ± 3 inches, if necessary. The motor shaft has a 2 3/8 inch O.D. and the pump shaft has a 3 inch O.D. The pump will operate 16 hours a day, five days a week. The pump sprocket is limited to a maximum of 18 inches O.D. There are no unusual drive conditions. Design using QT Power Chain II Carbon.

Step 1: Calculate The Design Horsepower

Procedure

To calculate the design horsepower, first determine the relative severity, then select a service factor for the drive. Average hours per day of service also should be considered. Locate the power source and the driveN unit in the Service Factor Table. The design HP then is determined by multiplying the rated HP (usually the nameplate rating) by the service factor determined above.

Example

Using the Service Factor Table, the driveR can be found in the fourth group. Since the pump will run 16 hours per day, follow the continuous service column down to the driveN machines group for gear pumps. The recommended Service Factor is 1.7.

Formula 1

Design Horsepower = (Motor Load) x (Service Factor)

Example

Design Horsepower = (40) x (1.7) = 68 HP

Step 2: Select The Belt Pitch

Procedure

Using the design HP and the RPM of the smaller sprocket, select the belt pitch from the Belt Pitch Selection Guide. (Table 3)

Example

Design Horsepower = 68 HP
Motor Speed = 1160 RPM

Locate 1160 RPM on the "RPM of Faster Shaft" scale on the left side of the chart and move over to where the 68 Design Horsepower line intersects. The intersection falls within the 8mm pitch range, but near the 14mm pitch area. Both 8mm and 14mm pitch drives should be considered.

Step 3: Select The Sprockets and Belt Length

Procedure

A. Determine the speed ratio. The speed ratio can be calculated by dividing the RPM of the faster shaft by the RPM of the slower shaft.

Example

Motor Speed = 1160 RPM
Gear Pump Speed = 580 RPM

Formula 2

Speed Ratio = $\frac{\text{RPM of faster shaft}}{\text{RPM of slower shaft}}$

Example

Speed Ratio = $\frac{1160 \text{ RPM}}{580 \text{ RPM}} = 2.00$

B. Select The Sprocket Combination And Belt Length: Referring to the Stock Drive Selection Tables on pages 54-53, find the proper set of tables for the belt pitch (8mm or 14mm) found in Step 2. Looking down the speed ratio column, find the value which most closely matches the belt drive speed ratio required. Reading across the selected speed ratio line, find the stock DriveR and DriveN sprocket combination available. Reading further across, locate the belt drive center distance which most closely matches the target center distance specified. The belt sizes are listed across the top of the table for each corresponding center distance.

Multiple sprocket combinations will often be available for a given speed ratio. In such cases, selection of the proper drive combination will depend on the center distance required, minimum or maximum required sprocket diameters and the recommended minimum sprocket diameter for electric motors.

After selecting possible sprocket combinations and center distances, record the belt length (top of column) and the length factor (bottom of column).

Example

Belt pitch = 8mm and 14mm
Belt Drive Speed Ratio = 2.00
Center Distance = 30.00 ± 3.00 in.

First, refer to the 8mm Pitch Stock Drive Selection Tables. Reading down the Speed Ratio column locate 2.00. There are six various sprocket combinations within the allowable center distance range. Of these, two are closest to the desired 30 inches. These are 25 to 50 groove, and 40 to 80 groove sprocket combinations. The minimum sprocket diameter of 6.1 inches for a 40 HP motor at 1160 RPM (see Table 2) eliminates the 25 to 50 and 40 to 80 groove sprocket combinations. Therefore, an 8mm pitch drive will not be utilized for this drive system.

Now refer to the 14mm Pitch Stock Drive Selection Tables. Reading down the Speed Ratio Column locate 2.00. Several combinations are shown which will meet the 30 ± 3 inch center distance requirement. The maximum O.D. limit of 18 inches on the driveN sprocket eliminates the 56 to 112 groove combination. The preference for a center distance close to 30 inches would favor the 40 to 80 and 28 to 56 groove combinations. However, the 4.912 inch pitch diameter of the 28 groove sprocket is less than the recommended minimum diameter of 6.1 inches for the electric motor. So the 40 groove DriveR sprocket, 80 groove DriveN sprocket, and 14MPC-2380 (170 Tooth) belt combination is selected. Also note that the Belt Length Correction Factor is 1.01 with a center distance of 30.11 inches.

C. Check the belt speed. Do not exceed 6550 fpm (feet per minute) with stock sprockets. Belt Speed can be calculated using the following formula:

Formula 3

$$V \text{ (fpm)} = PD \text{ (inches)} \times \frac{\text{Speed (RPM)}}{3.82}$$

Example

14mm Pitch Drive with 40 groove driveR:

$$V = \frac{7.018 \times 1160}{3.82} = 2131.1 \text{ fpm}$$

Calculating the belt speed for the drive system being considered shows that the belt speed does not exceed 6550 fpm and can be considered further.

Step 4: Select The Proper Belt Width

Procedure

Use the horsepower rating tables for standard belt pitches and stock belt widths (pages 54-62). The base horsepower rating is given in the upper table as a function of the speed (RPM) of the faster shaft and diameter of the small sprocket. The speed of the faster shaft is located in the left hand column. Across the top are various stock sprocket sizes. The base horsepower rating of a given sprocket, at a specific speed, is the point at which the "RPM" row and the "sprocket size" column intersect.

This base horsepower rating must be corrected for speed down speed ratios, and for the belt length selected. The following formula should be used to calculate the total drive horsepower rating:

Formula 4

$$\text{Rated Drive Horsepower} = [\text{Rated Base Horsepower} + \text{Additional Horsepower for Speed Ratio}] \times (\text{Belt Length Correction Factor})$$

Referring to the Additional Horsepower for Speed Ratio Factor Table, select a value based upon the drive operating speed and the speed ratio. This value should be added to the base horsepower rating. Multiply the corrected rating by the applicable Belt Length Correction Factor determined in Step 3B or from the Belt Length Correction Factor Table. The drive horsepower rating must equal or exceed design horsepower.

Where there are several choices, space limitations may control the selection. Always make sure the proposed drive clears all guards and obstructions. In addition, the following guidelines should be considered:

1. Larger sprockets result in reduced belt width.
2. Larger sprockets yield longer drive service life.
3. Larger sprockets will reduce shaft/bearing load.
4. Avoid drives where the belt width exceeds the smaller sprocket diameter.
5. Avoid drives where center distance is greater than 8 times the diameter of the smaller sprocket.

Standard Belt Drive Selection Procedure

Example

Refer to the 14mm pitch Horsepower Rating Table for 20mm Wide belts. Read down the left hand column for "RPM of Faster Shaft" and locate 1160 RPM. Read the sprocket sizes listed across the top of the table and locate the 40 groove, 5.614 inch P.D. column. Read across the "RPM" row and down the sprocket size column until the two intersect at a Rated Base Horsepower of 77.9.

Next, referencing the Additional Horsepower for Speed Ratio Factor Table, find the listing for a 2.00 speed ratio. An add-on factor of 3.53 HP is listed. Then, referencing the Belt Length Correction Factor Table, find the listing for a 14MPCC-2380 belt. A correction factor of 1.01 is listed.

$$\begin{aligned} \text{Calculate the Corrected Horsepower Rating (Formula 4):} \\ \text{Rated Drive Horsepower} &= [77.9 \text{ HP} + 3.53 \text{ HP}] \times (1.01) \\ &= 82.24 \text{ HP} \end{aligned}$$

The Drive Horsepower Rating of 82.24 HP exceeds the Design Horsepower target of 68 HP. So, a belt width of 20mm is acceptable.

Step 5: Select Specify Stock Drive Components

Procedure

A. Check the sprockets selected in Steps 3 and 4 against the design requirements using the dimensions provided in the Sprocket Specification Tables. Use flange diameters when checking against maximum diameter requirements.

Example

We find the 14MPC-80S-20 driveN Sprocket has an overall flange diameter of 14.620 inches, which is less than the 18 inch maximum diameter specified.

B. Determine the bushing size required for each sprocket and check bore sizes by using the Sprocket Specification Tables. From the Stock Bushing tables, check the bore range and keyway dimensions against the design requirements.

Example

Also from the sprocket data we note that the 14MPC-40S-20 sprocket requires a 2517 bushing and the 14MPC-80S-20 sprocket requires a 3525 bushing. In the bushing table, a 2517 bushing has a bore range of 1/2 to 2 11/16 inches, which includes the 2 3/8 inch bore required for the driveR shaft. The 3525 bushing has a bore range from 13/16 to 3 15/16 inches, which includes the 3 inch bore required for the driveN shaft.

C. Specify stock drive components using proper designations.

Example

Stock drive components are as follows:

- 1 ea. 14MPCC238020 QT Power Chain II Carbon belt
- 1 ea. 14MPC40S20 driveR sprocket
- 1 ea. TL2517238 Bushing with a 2 3/8 in. bore
- 1 ea. 14MPC80S20 driveN sprocket
- 1 ea. TL35253 Bushing with a 3 in. bore

QT Power Chain® II Carbon Drive Selection

Low-Speed Drive Selection Procedure

For use when designing QT Power Chain II Carbon belt drives for gear reducer output shafts and general roller chain conversions.

When designing QT Power Chain II Carbon belt drives to be used in low-speed applications (generally 500 RPM and less), traditional drive design procedures may yield drives with greater-than-needed capacity. These design load calculations are intended primarily for applications on the output side of gear reducers, and will yield QT Power Chain II Carbon belt drives competitive in both cost and performance with roller chain and superior to other belt drives.

A recent power transmission industry publication estimated that half of all U.S. motors operate at less than 60 percent of their rated load and one third operate at below 50 percent of their rated load. Significant power losses can also occur in speed reducers, further reducing the actual torque loads carried by belt drives.

In order to prevent over sizing belt drives for these low speed applications, the design should be based upon the actual system running load. Because the actual running load may or may not be known, the following three approaches are recommended to assist the designer in determining the appropriate design load:

I. Actual Operating Loads Known

In those cases where the actual operating load is known, design the belt drive for the actual operating load rather than for a load based upon the motor name plate. Use Formula 5 to calculate the proper drive design load based upon motor load (name plate or measured) when the belt drive will be installed on the reducer output shaft.

Design Load

Formula 5

Design Load =
(Motor Load) x Service Factor x (% Reducer Efficiency/100)

Motor Load: From user/OEM

Service Factor: From Table 1.

% Reducer Efficiency: From Speed Reducer Catalog.

II. Actual Operating Loads Unknown With Measurements

When the actual operating system running load is unknown, it must be estimated. This can be done with reasonable accuracy by measuring the average electrical amperage draw from the motor while under load, and calculating a motor horsepower output. Speed reducer efficiency can also be calculated and applied as well. Readings should be taken when the equipment is operating at or near the maximum loading that would normally occur.

Use Formulas 6-9 for the most accurate results if all of the needed formula values are available.

Because values for motor efficiency and power factor may not be readily available, a common industry accepted practice is to proportion the motor name plate horsepower rating with the motor name plate amperage rating and actual measured amperage value. Use Formula 9 for a reasonable estimate of actual motor horsepower load.

D.C. Motors

Formula 6

$$\text{Horsepower}^* = \frac{(\text{Amps}) \times (\text{Volts}) \times (\text{Eff})}{746}$$

Amps: as measured

Volts: as measured

Eff: % Eff/100 (from Motor Catalog or Motor Nameplate)

Single Phase A.C. Motor

Formula 7

$$\text{Horsepower}^* = \frac{(\text{Amps}) \times (\text{Volts}) \times (\text{Eff}) \times (\text{PF})}{746}$$

Amps: as measured

Volts: as measured

Eff: % Eff/100 (from Motor Catalog or Motor Nameplate)

Power Factor: as measured or from Motor Catalog.

Three Phase A.C. Motors

Formula 8

$$\text{Horsepower}^* = \frac{1.73 \times (\text{Amps}) \times (\text{Volts}) \times (\text{Eff}) \times (\text{PF})}{746}$$

Amps: as measured (average of 3 phases)

Volts: as measured

Eff: % Eff/100 (from Motor Catalog or Motor Nameplate)

Power Factor: as measured or from Motor Catalog.

Alternative Approach

Formula 9

$$\text{Horsepower} = \frac{(\text{Nameplate HP})(\text{Measured Amps})}{(\text{Nameplate Amps})}$$

Nameplate HP: maximum rated motor horsepower
(Motor Nameplate or Motor Catalog)

Measured Amps: as measured
(if 3 phase; average of 3 phases)

Nameplate Amps: maximum rated motor amps
(Motor Nameplate or Motor Catalog)

Now with a good estimate of the actual motor horsepower load, use Formula 10 to calculate the proper drive design load (when the belt drive will be installed on the reducer output shaft).

*With an estimate of actual motor load, and the belt drive connected directly to a speed reducer output shaft, use Formula 5 to calculate the drive design load.

Low-Speed Drive Selection Procedure

Formula 10

Design Load = (Estimated Motor Load) x (Service Factor)

$$\times \frac{\% \text{ Reducer Efficiency}}{100}$$

Estimated Motor Load: From Formulas 6-9

Service Factor: From Table 1

% Reducer Efficiency: from Speed Reducer Catalog.

III. Actual Operating Loads Unknown Without Measurements

It is not always possible to determine actual motor operating loads, as it may not be possible to take amperage draw measurements from the motor. In those cases, the following guidelines should be used with caution, as they may not yield successful results in every case. They should, however, yield at least comparable, if not improved, service compared to the old roller chain drive. The procedures which follow in Table 4 should yield at least comparable, if not improved, service compared to the old roller chain drive.

In those cases where the belt drive design load is based upon the power rating of the existing roller chain drive, use Formula 11 along with good engineering judgment to calculate the proper drive design load.

Formula 11

Design Load = (Roller Chain Power Rating) x Service Factor

Roller Chain Power Rating: from Roller Chain Manufacturer's Catalog

Service Factor: from Table 1

Drive Selection Procedure

After obtaining the Design Load as described above, proceed to step 2 of the standard drive selection method described on page 18. Substitute the Design Load solution found in the Low-Speed Drive Selection for the Design Horsepower of step 1. Continue with the remainder of the drive selection as described.

For very low input RPM's it will be found that the horsepower rating tables do not have entries. In this case it is necessary

to use TB Wood's Belted Drive Selection Program to find the available drive options. This program can be found at <http://beltselector.tbwoods.com>. The Low-Speed Drive Selection techniques of this section can still be used in that program. However, some minor adjustments should be made. The Service Factor may be obtained from Table 1 or found using the Help feature in that program. It should be entered separately into the Service Factor field. The motor load and % reducer efficiency are still found as previously described, but should be entered into the Input Power field according to the following formula.

Formula 12

$$\text{Input Power} = (\text{Motor Load}) \times \left(\frac{\% \text{ Reducer Efficiency}}{100} \right)$$

Reference Information

Speed Reducer Efficiency

If the efficiency of a speed reducer is not published, it can be calculated indirectly from the catalog data. Speed reducer manufacturers generally publish rated input horsepower and rated output torque for each speed reducer unit in their product line. In order to calculate speed reducer efficiency, either the rated output torque must be converted to output horsepower or the rated input horsepower must be converted to input torque. The torque/horsepower conversion formulas are as follows:

Formula 13

$$(\text{HP}) = \frac{Q \times (\text{RPM})}{63025}$$

HP = horsepower

Q = torque (lb-in)

RPM = shaft revolutions/min

Formula 14

$$Q = \frac{\text{HP} \times 63025}{\text{RPM}}$$

Q = torque (lb-in)

HP = horsepower

RPM = shaft revolutions/min.

Table 4

Situation	Conclusion	Recommendation
Properly lubricated. Provides more than four months of continuous service	System is either properly designed or lightly loaded.	Base belt drive design load on the roller chain drive horsepower rating.
Properly lubricated. Provides less than four months of continuous service.	System may have less than adequate load capacity.	Belt drive design load based on roller chain drive horsepower rating may result in a poorly performing system. Exercise good engineering judgment.
Unlubricated. Provides more than four months continuous service.	System is lightly loaded.**	Base belt drive design load on roller chain drive horsepower rating.
Unlubricated. Provides less than four months continuous service.	It is difficult to conclude whether the system has been designed with adequate load capacity.**	Base belt drive design load on roller chain power rating but exercise good engineering judgment.

**Unlubricated roller chain drives do not typically provide more than three to four months of service regardless of design capacity.

QT Power Chain® II Carbon Drive Selection

Low-Speed Drive Selection Procedure

Reducer efficiency is then calculated as follows:

Formula 15

$$\text{Reducer Efficiency} = \frac{\text{Output HP or Q}}{\text{Input HP or Q}}$$

A general comparison of speed reducer efficiency is included in Table 5.

Motor Data

Motor efficiency and power factor data may not be readily available, actual values vary and are motor dependent. If catalog data are not available, typical values are as follows:

Power Factor

Standard Motor: 0.80 typical (range from 0.55 to 0.90)
 High Efficiency Motor: 0.85 typical (range from 0.73 to 0.88)

Efficiency

Standard Motor: 80% typical (range from 70% to 87%)
 High Efficiency Motor: 88% typical (range from 84% to 93%)

Belt Tensioning

Adequate belt installation tension is critical in preventing belt ratcheting under peak motor starting loads. To calculate proper belt installation tension values for QT Power Chain II Carbon belts, follow the procedures for belt installation tension (see page 74).

Table 5 - General Speed Reducer Efficiency

Reducer Type	Ratio Range	Reduction	Approx. Efficiency, (%)
Straight Bevel Reducer	1:1 - 4:1	Single	97.0%
Spiral Bevel Reducer	1:1 - 5:1	Single	97.0%
Helical Reducer	1.2:1 - 6:1 to 30:1 to 200:1	Single	97.0%
		Double	94.1%
		Triple	91.3%
Planetary Reducer	3.5:1 - 6:1 to 30:1 to 200:1 to 1800:1	Single	97.5%
		Double	95.1%
		Triple	92.7%
		Quadruple	90.4%
Cycloidal Reducer	6:1 - 119:1 to 7,500:1 to 658,000:1	Single	92.5%
		Double	85.6%
		Triple	79.1%
Worm Gear Reducer	5:1 - 75:1 to 6,000:1	Single	45%-94%
		Double	28%-65%

Note: Speed ratio ranges and efficiency values are approximate and vary with each manufacturer.

QT Power Chain® II Carbon Drive Selection

Low-Speed Drive Selection Procedure

Copy and use this worksheet to estimate actual belt drive operating loads based upon the Low-Speed Drive Design Procedure

Drive Design Load Worksheet for Low-Speed QT Power Chain II Carbon Drives

To Find ▼	Known Values									Direct Current	Alternating Current	
	Amps	Volts	Motor %Eff/100	Power Factor	HP Load	Motor RPM	Reducer Ratio	Reducer %Eff/100	Motor Torque		Single Phase	Three Phase
Motor Amps										(HP) (746) (V) (Eff)	(HP) (746) (V) (Eff) (PF)	(HP) (746) (173) (V) (Eff) (PF)
Motor HP										(Amp) (V) (Eff) 746	(Amp) (V) (Eff) (PF) 746	(173) (Amp) (V) (Eff) (PF) 746
Motor Torque (lb-in)										(HPLoad) (63025) (Motor RPM)		
Reducer Output Torque										(Motor Torque) (Reducer Speed Ratio) (Reducer Efficiency)		
Reducer Output Torque										(HP Load) (Reducer Speed Ratio) (Reducer Efficiency) (63025) (Motor RPM)		

Notes:

1. Amperage measurements should be made under normal operating conditions, or recorded continuously as a function of time.
2. In three phase systems, the formula amperage value is determined by averaging the three individual phase measurements together.

QT Power Chain® II Carbon Drive Selection

8mm Pre-Engineered Selection Table

Sprocket Combinations				Speed Ratio	Center Distance (in)															
DriverR		DriveN			8MPCC-640 P.L. 25.20 80 Teeth	8MPCC-720 P.L. 28.35 90 Teeth	8MPCC-800 P.L. 31.50 100 Teeth	8MPCC-886 P.L. 35.28 112 Teeth	8MPCC-960 P.L. 37.80 120 Teeth	8MPCC-1000 P.L. 39.37 125 Teeth	8MPCC-1040 P.L. 40.94 130 Teeth	8MPCC-1120 P.L. 44.09 140 Teeth	8MPCC-1200 P.L. 47.24 150 Teeth	8MPCC-1224 P.L. 48.19 155 Teeth	8MPCC-1280 P.L. 50.39 160 Teeth	8MPCC-1440 P.L. 56.69 180 Teeth	8MPCC-1600 P.L. 62.99 200 Teeth	8MPCC-1760 P.L. 69.29 220 Teeth		
Number of Grooves	Pitch Diameter (Inches)	Number of Grooves	Pitch Diameter (Inches)																	
22	2.206	22	2.206	1.000	9.130	10.71	12.28	14.17	15.43	16.22	17.00	18.58	20.15	20.63	21.73	24.88	28.03	31.18		
25	2.506	25	2.506	1.000	8.660	10.24	11.81	13.70	14.96	15.75	16.53	18.11	19.68	20.16	21.26	24.41	27.56	30.71		
26	2.607	26	2.607	1.000	8.500	10.08	11.65	13.54	14.80	15.59	16.37	17.95	19.52	20.00	21.10	24.25	27.40	30.55		
27	2.707	27	2.707	1.000	8.350	9.920	11.50	13.39	14.65	15.43	16.22	17.79	19.37	19.84	20.94	24.09	27.24	30.39		
28	2.807	28	2.807	1.000	8.190	9.770	11.34	13.23	14.49	15.28	16.06	17.64	19.21	19.69	20.79	23.94	27.09	30.24		
29	2.907	29	2.907	1.000	8.030	9.610	11.18	13.07	14.33	15.12	15.90	17.48	19.05	19.53	20.63	23.78	26.93	30.08		
30	3.008	30	3.008	1.000	7.880	9.450	11.03	12.92	14.18	14.96	15.75	17.32	18.90	19.37	20.47	23.62	26.77	29.92		
31	3.108	31	3.108	1.000	7.720	9.290	10.87	12.76	14.02	14.80	15.59	17.16	18.74	19.21	20.31	23.46	26.61	29.76		
32	3.208	32	3.208	1.000	7.560	9.140	10.71	12.60	13.86	14.65	15.43	17.01	18.58	19.06	20.16	23.31	26.46	29.61		
33	3.308	33	3.308	1.000	7.400	8.980	10.55	12.44	13.70	14.49	15.27	16.85	18.42	18.90	20.00	23.15	26.30	29.45		
34	3.409	34	3.409	1.000	7.250	8.820	10.40	12.29	13.55	14.33	15.12	16.69	18.27	18.74	19.84	22.99	26.14	29.29		
35	3.509	35	3.509	1.000	7.090	8.660	10.24	12.13	13.39	14.17	14.96	16.53	18.11	18.58	19.68	22.83	25.98	29.13		
36	3.609	36	3.609	1.000	6.930	8.510	10.08	11.97	13.23	14.02	14.80	16.38	17.95	18.43	19.53	22.68	25.83	28.98		
37	3.709	37	3.709	1.000	6.770	8.350	9.920	11.81	13.07	13.86	14.64	16.22	17.79	18.27	19.37	22.52	25.67	28.82		
38	3.810	38	3.810	1.000	6.620	8.190	9.770	11.66	12.92	13.70	14.49	16.06	17.64	18.11	19.21	22.36	25.51	28.66		
39	3.910	39	3.910	1.000	6.460	8.030	9.610	11.50	12.76	13.54	14.33	15.90	17.48	17.95	19.05	22.20	25.35	28.50		
40	4.010	40	4.010	1.000	6.300	7.880	9.450	11.34	12.6	13.39	14.17	15.75	17.32	17.80	18.90	22.05	25.20	28.35		
41	4.110	41	4.110	1.000	6.140	7.720	9.290	11.18	12.44	13.23	14.01	15.59	17.16	17.64	18.74	21.89	25.04	28.19		
42	4.211	42	4.211	1.000	5.990	7.560	9.140	11.03	12.29	13.07	13.86	15.43	17.01	17.48	18.58	21.73	24.88	28.03		
45	4.511	45	4.511	1.000	5.510	7.090	8.660	10.55	11.81	12.60	13.38	14.96	16.53	17.01	18.11	21.26	24.41	27.56		
48	4.812	48	4.812	1.000		6.620	8.190	10.08	11.34	12.13	12.91	14.49	16.06	16.54	17.64	20.79	23.94	27.09		
50	5.013	50	5.013	1.000		6.300	7.880	9.770	11.03	11.81	12.6	14.17	15.75	16.22	17.32	20.47	23.62	26.77		
53	5.314	53	5.314	1.000		5.830	7.400	9.290	10.55	11.34	12.12	13.70	15.27	15.75	16.85	20.00	23.15	26.30		
56	5.614	56	5.614	1.000			6.930	8.820	10.08	10.87	11.65	13.23	14.80	15.28	16.38	19.53	22.68	25.83		
60	6.015	60	6.015	1.000				8.190	9.450	10.24	11.02	12.60	14.17	14.65	15.75	18.90	22.05	25.20		
63	6.316	63	6.316	1.000				7.720	8.980	9.760	10.55	12.12	13.70	14.17	15.27	18.42	21.57	24.72		
67	6.717	67	6.717	1.000					8.350	9.130	9.920	11.49	13.07	13.54	14.64	17.79	20.94	24.09		
71	7.118	71	7.118	1.000					7.720	8.500	9.290	10.86	12.44	12.91	14.01	17.16	20.31	23.46		
75	7.519	75	7.519	1.000								8.660	10.23	11.81	12.28	13.38	16.53	19.68		
80	8.020	80	8.020	1.000									9.450	11.02	11.50	12.60	15.75	18.90		
41	4.110	42	4.211	1.024	6.060	7.640	9.210	11.10	12.36	13.15	13.93	15.51	17.08	17.56	18.66	21.81	24.96	28.11		
40	4.010	41	4.110	1.025	6.220	7.800	9.370	11.26	12.52	13.31	14.09	15.67	17.24	17.72	18.82	21.97	25.12	28.27		
38	3.810	39	3.910	1.026	6.540	8.110	9.690	11.58	12.84	13.62	14.41	15.98	17.56	18.03	19.13	22.28	25.43	28.58		
39	3.910	40	4.010	1.026	6.380	7.950	9.530	11.42	12.68	13.46	14.25	15.82	17.40	17.87	18.97	22.12	25.27	28.42		
37	3.709	38	3.810	1.027	6.690	8.270	9.840	11.73	12.99	13.78	14.56	16.14	17.71	18.19	19.29	22.44	25.59	28.74		
36	3.609	37	3.709	1.028	6.850	8.430	10.00	11.89	13.15	13.94	14.72	16.30	17.87	18.35	19.45	22.6	25.75	28.9		
34	3.409	35	3.509	1.029	7.170	8.740	10.32	12.21	13.47	14.25	15.04	16.61	18.19	18.66	19.76	22.91	26.06	29.21		
35	3.509	36	3.609	1.029	7.010	8.580	10.16	12.05	13.31	14.09	14.88	16.45	18.03	18.50	19.60	22.75	25.90	29.05		
33	3.308	34	3.409	1.030	7.320	8.900	10.47	12.36	13.62	14.41	15.19	16.77	18.34	18.82	19.92	23.07	26.22	29.37		
32	3.208	33	3.308	1.031	7.480	9.060	10.63	12.52	13.78	14.57	15.35	16.93	18.5	18.98	20.08	23.23	26.38	29.53		
31	3.108	32	3.208	1.032	7.640	9.210	10.79	12.68	13.94	14.72	15.51	17.08	18.66	19.13	20.23	23.38	26.53	29.68		
30	3.008	31	3.108	1.033	7.800	9.370	10.95	12.84	14.10	14.88	15.67	17.24	18.82	19.29	20.39	23.54	26.69	29.84		
29	2.907	30	3.008	1.034	7.950	9.530	11.10	12.99	14.25	15.04	15.82	17.40	18.97	19.45	20.55	23.70	26.85	30.00		
28	2.807	29	2.907	1.036	8.110	9.690	11.26	13.15	14.41	15.20	15.98	17.56	19.13	19.61	20.71	23.86	27.01	30.16		
27	2.707	28	2.807	1.037	8.270	9.840	11.42	13.31	14.57	15.35	16.14	17.71	19.29	19.76	20.86	24.01	27.16	30.31		
26	2.607	27	2.707	1.038	8.430	10.00	11.58	13.47	14.73	15.51	16.30	17.87	19.45	19.92	21.02	24.17	27.32	30.47		
25	2.506	26	2.607	1.040	8.580	10.16	11.73	13.62	14.88	15.67	16.45	18.03	19.60	20.08	21.18	24.33	27.48	30.63		
48	4.812	50	5.013	1.042	6.460	8.030	9.92	11.18	11.97	12.75	14.33	15.90	17.48	17.95	19.05	22.20	25.35	28.50		
40	4.010	42	4.211	1.050	6.140	7.720	9.290	11.18	12.44	13.23	14.01	15.59	17.16	17.64	18.74	21.89	25.04	28.19		
60	6.015	63	6.316	1.050				7.95	9.21	10.00	10.78	12.36	13.93	14.41	15.51	18.66	21.81	24.96		
39	3.910	41	4.110	1.051	6.300	7.880	9.450	11.34	12.60	13.39	14.17	15.75	17.32	17.80	18.90	22.05	25.20	28.35		
38	3.810	40	4.010	1.053	6.460	8.030	9.610	11.50	12.76	13.54	14.33	15.90	17.48	17.95	19.05	22.20	25.35	28.50		
37	3.709	39	3.910	1.054	6.620	8.190	9.770	11.66	12.92	13.7	14.49	16.06	17.64	18.11	19.21	22.36	25.51	28.66		
36	3.609	38	3.810	1.056	6.770	8.350	9.920	11.81	13.07	13.86	14.64	16.22	17.79	18.27	19.37	22.52	25.67	28.82		
71	7.118	75	7.519	1.056					8.19	8.97	9.76	10.55	12.12	12.60	13.70	16.85	20.00	23.15		
35	3.509	37	3.709	1.057	6.930	8.510	10.08	11.97	13.23	14.02	14.80	16.38	17.95	18.43	19.53	22.68	25.83	28.98		
53	5.314	56	5.614	1.057				7.170	9.06	10.32	11.1	11.89	13.46	15.04	15.51	16.61	19.76	22.91		
34	3.409	36	3.609	1.059	7.090	8.660	10.24	12.13	13.39	14.17	14.96	16.53	18.11	18.58	19.68	22.83	25.98	29.13		
50	5.013	53	5.314	1.060				6.060	7.640	9.53	10.79	11.57	12.36	13.93	15.51	15.98	17.08	20.23		
67	6.717	71	7.118	1.060					8.03	8.82	9.60	11.18	12.75	13.23	14.33	17.48	20.63	23.78		
33	3.308	35	3.509	1.061	7.250	8.820	10.40	12.29	13.55	14.33	15.12	16.69	18.27	18.74	19.84	22.99	26.14	29.29		
32	3.208	34	3.409	1.063	7.400	8.980	10.55	12.44	13.70	14.49	15.27	16.85	18.42	18.90	20.00	23.15	26.3	29.45		
63	6.316	67	6.717	1.063				7.40	8.66	9.45	10.23	11.81	13.38	13.86	14.96	18.11	21.26	24.41		
31	3.108	33	3.308	1.065	7.560	9.140	10.71	12.6	13.86	14.65	15.43	17.01								

QT Power Chain® II Carbon Drive Selection

8mm Pre-Engineered Selection Table

Center Distance (in)																Speed Ratio	Sprocket Combinations	
8MPCC-1792 P.L. 70.55 224 Teeth	8MPCC-2000 P.L. 78.74 250 Teeth	8MPCC-2200 P.L. 86.61 275 Teeth	8MPCC-2240 P.L. 88.19 280 Teeth	8MPCC-2400 P.L. 94.49 300 Teeth	8MPCC-2520 P.L. 99.21 315 Teeth	8MPCC-2600 P.L. 102.36 325 Teeth	8MPCC-2800 P.L. 110.24 350 Teeth	8MPCC-2840 P.L. 111.81 355 Teeth	8MPCC-3048 P.L. 120.00 381 Teeth	8MPCC-3200 P.L. 125.98 400 Teeth	8MPCC-3280 P.L. 129.13 410 Teeth	8MPCC-3600 P.L. 141.73 450 Teeth	8MPCC-4000 P.L. 157.48 500 Teeth	8MPCC-4400 P.L. 173.23 550 Teeth	8MPCC-4480 P.L. 176.38 560 Teeth		DriveR	DriveN
																	Number of Grooves	Number of Grooves
31.81	35.90	39.84	40.63	43.78	46.14	47.71	51.65	52.44	56.53	59.52	61.10	67.40	75.27	83.15	84.72	1.000	22	22
31.34	35.43	39.37	40.16	43.31	45.67	47.24	51.18	51.97	56.06	59.05	60.63	66.93	74.80	82.68	84.25	1.000	25	25
31.18	35.27	39.21	40.00	43.15	45.51	47.08	51.02	51.81	55.90	58.89	60.47	66.77	74.64	82.52	84.09	1.000	26	26
31.02	35.12	39.05	39.84	42.99	45.35	46.93	50.87	51.65	55.75	58.74	60.31	66.61	74.49	82.36	83.94	1.000	27	27
30.87	34.96	38.9	39.69	42.84	45.20	46.77	50.71	51.50	55.59	58.58	60.16	66.46	74.33	82.21	83.78	1.000	28	28
30.71	34.80	38.74	39.53	42.68	45.04	46.61	50.55	51.34	55.43	58.42	60.00	66.30	74.17	82.05	83.62	1.000	29	29
30.55	34.65	38.58	39.37	42.52	44.88	46.46	50.40	51.18	55.28	58.27	59.84	66.14	74.02	81.89	83.47	1.000	30	30
30.39	34.49	38.42	39.21	42.36	44.72	46.30	50.24	51.02	55.12	58.11	59.68	65.98	73.86	81.73	83.31	1.000	31	31
30.24	34.33	38.27	39.06	42.21	44.57	46.14	50.08	50.87	54.96	57.95	59.53	65.83	73.70	81.58	83.15	1.000	32	32
30.08	34.17	38.11	38.90	42.05	44.41	45.98	49.92	50.71	54.80	57.79	59.37	65.67	73.54	81.42	82.99	1.000	33	33
29.92	34.02	37.95	38.74	41.89	44.25	45.83	49.77	50.55	54.65	57.64	59.21	65.51	73.39	81.26	82.84	1.000	34	34
29.76	33.86	37.79	38.58	41.73	44.09	45.67	49.61	50.39	54.49	57.48	59.05	65.35	73.23	81.10	82.68	1.000	35	35
29.61	33.70	37.64	38.43	41.58	43.94	45.51	49.45	50.24	54.33	57.32	58.90	65.20	73.07	80.95	82.52	1.000	36	36
29.45	33.54	37.48	38.27	41.42	43.78	45.35	49.29	50.08	54.17	57.16	58.74	65.04	72.91	80.79	82.36	1.000	37	37
29.29	33.39	37.32	38.11	41.26	43.62	45.20	49.14	49.92	54.02	57.01	58.58	64.88	72.76	80.63	82.21	1.000	38	38
29.13	33.23	37.16	37.95	41.10	43.46	45.04	48.98	49.76	53.86	56.85	58.42	64.72	72.60	80.47	82.05	1.000	39	39
28.98	33.07	37.01	37.8	40.95	43.31	44.88	48.82	49.61	53.70	56.69	58.27	64.57	72.44	80.32	81.89	1.000	40	40
28.82	32.91	36.85	37.64	40.79	43.15	44.72	48.66	49.45	53.54	56.53	58.11	64.41	72.28	80.16	81.73	1.000	41	41
28.66	32.76	36.69	37.48	40.63	42.99	44.57	48.51	49.29	53.39	56.38	57.95	64.25	72.13	80.00	81.58	1.000	42	42
28.19	32.28	36.22	37.01	40.16	42.52	44.09	48.03	48.82	52.91	55.9	57.48	63.78	71.65	79.53	81.10	1.000	45	45
27.72	31.81	35.75	36.54	39.69	42.05	43.62	47.56	48.35	52.44	55.43	57.01	63.31	71.18	79.06	80.63	1.000	48	48
27.4	31.50	35.43	36.22	39.37	41.73	43.31	47.25	48.03	52.13	55.12	56.69	62.99	70.87	78.74	80.32	1.000	50	50
26.93	31.02	34.96	35.75	38.90	41.26	42.83	46.77	47.56	51.65	54.64	56.22	62.52	70.39	78.27	79.84	1.000	53	53
26.46	30.55	34.49	35.28	38.43	40.79	42.36	46.30	47.09	51.18	54.17	55.75	62.05	69.92	77.80	79.37	1.000	56	56
25.83	29.92	33.86	34.65	37.80	40.16	41.73	45.67	46.46	50.55	53.54	55.12	61.42	69.29	77.17	78.74	1.000	60	60
25.35	29.45	33.38	34.17	37.32	39.68	41.26	45.20	45.98	50.08	53.07	54.64	60.94	68.82	76.69	78.27	1.000	63	63
24.72	28.82	32.75	33.54	36.69	39.05	40.63	44.57	45.35	49.45	52.44	54.01	60.31	68.19	76.06	77.64	1.000	67	67
24.09	28.19	32.12	32.91	36.06	38.42	40.00	43.94	44.72	48.82	51.81	53.38	59.68	67.56	75.43	77.01	1.000	71	71
23.46	27.56	31.49	32.28	35.43	37.79	39.37	43.31	44.09	48.19	51.18	52.75	59.05	66.93	74.80	76.38	1.000	75	75
22.68	26.77	30.71	31.50	34.65	37.01	38.58	42.52	43.31	47.40	50.39	51.97	58.27	66.14	74.02	75.59	1.000	80	80
22.74	32.83	36.77	37.56	40.71	43.07	44.64	48.58	49.37	53.46	56.45	58.03	64.33	72.20	80.08	81.65	1.024	41	42
28.90	32.99	36.93	37.72	40.87	43.23	44.80	48.74	49.53	53.62	56.61	58.19	64.49	72.36	80.24	81.81	1.025	40	41
29.21	33.31	37.24	38.03	41.18	43.54	45.12	49.06	49.84	53.94	56.93	58.50	64.80	72.68	80.55	82.13	1.026	38	39
29.05	33.15	37.08	37.87	41.02	43.38	44.96	48.9	49.68	53.78	56.77	58.34	64.64	72.52	80.39	81.97	1.026	39	40
29.37	33.46	37.40	38.19	41.34	43.70	45.27	49.21	50.00	54.09	57.08	58.66	64.96	72.83	80.71	82.28	1.027	37	38
29.53	33.62	37.56	38.35	41.50	43.86	45.43	49.37	50.16	54.25	57.24	58.82	65.12	72.99	80.87	82.44	1.028	36	37
29.84	33.94	37.87	38.66	41.81	44.17	45.75	49.69	50.47	54.57	57.56	59.13	65.43	73.31	81.18	82.76	1.029	34	35
29.68	33.78	37.71	38.50	41.65	44.01	45.59	49.53	50.31	54.41	57.40	58.97	65.27	73.15	81.02	82.60	1.029	35	36
30.00	34.09	38.03	38.82	41.97	44.33	45.90	49.84	50.63	54.72	57.71	59.29	65.59	73.46	81.34	82.91	1.030	33	34
30.16	34.25	38.19	38.98	42.13	44.49	46.06	50.00	50.79	54.88	57.87	59.45	65.75	73.62	81.50	83.07	1.031	32	33
30.31	34.41	38.34	39.13	42.28	44.64	46.22	50.16	50.94	55.04	58.03	59.60	65.90	73.78	81.65	83.23	1.032	31	32
30.47	34.57	38.50	39.29	42.44	44.80	46.38	50.32	51.10	55.20	58.19	59.76	66.06	73.94	81.81	83.39	1.033	30	31
30.63	34.72	38.66	39.45	42.60	44.96	46.53	50.47	51.26	55.35	58.34	59.92	66.22	74.09	81.97	83.54	1.034	29	30
30.79	34.88	38.82	39.61	42.76	45.12	46.69	50.63	51.42	55.51	58.50	60.08	66.38	74.25	82.13	83.70	1.036	28	29
30.94	35.04	38.97	39.76	42.91	45.27	46.85	50.79	51.57	55.67	58.66	60.23	66.53	74.41	82.28	83.86	1.037	27	28
31.10	35.20	39.13	39.92	43.07	45.43	47.01	50.95	51.73	55.83	58.82	60.39	66.69	74.57	82.44	84.02	1.038	26	27
31.26	35.35	39.29	40.08	43.23	45.59	47.16	51.10	51.89	55.98	58.97	60.55	66.85	74.72	82.60	84.17	1.040	25	26
27.56	31.65	35.59	36.38	39.53	41.89	43.46	47.40	48.19	52.28	55.27	56.85	63.15	71.02	78.90	80.47	1.042	48	50
28.82	32.91	36.85	37.64	40.79	43.15	44.72	48.66	49.45	53.54	56.53	58.11	64.41	72.28	80.16	81.73	1.050	40	42
25.59	29.68	33.62	34.41	37.56	39.92	41.49	45.44	46.22	50.32	53.31	54.88	61.18	69.06	76.93	78.51	1.050	60	63
28.98	33.07	37.01	37.80	40.95	43.31	44.88	48.82	49.61	53.70	56.69	58.27	64.57	72.44	80.32	81.89	1.051	39	41
29.13	33.23	37.16	37.95	41.10	43.46	45.04	48.98	49.76	53.86	56.85	58.42	64.72	72.60	80.47	82.05	1.053	38	40
29.29	33.39	37.32	38.11	41.26	43.62	45.20	49.14	49.92	54.02	57.01	58.58	64.88	72.76	80.63	82.21	1.054	37	39
29.45	33.54	37.48	38.27	41.42	43.78	45.35	49.29	50.08	54.17	57.16	58.74	65.04	72.91	80.79	82.36	1.056	36	38
23.78	27.87	31.81	32.60	35.75	38.11	39.68	43.62	44.41	48.50	51.49	53.07	59.37	67.24	75.12	76.69	1.056	71	75
29.61	33.7	37.64	38.43	41.58	43.94	45.51	49.45	50.24	54.33	57.32	58.90	65.20	73.07	80.95	82.52	1.057	35	37
26.69	30.79	34.72	35.51	38.66	41.02	42.60	46.54	47.32	51.42	54.41	55.98	62.28	70.16	78.03	79.61	1.057	53	56
29.76	33.86	37.79	38.58	41.73	44.09	45.67	49.61	50.39	54.49	57.48	59.05	65.35	73.23	81.10	82.68	1.059	34	36
27.16	31.26	35.19	35.98	39.13	41.49	43.07	47.01	47.79	51.89	54.88	56.45	62.75	70.63	78.50	80.08	1.060	50	53
24.41	28.50	32.44	33.23	36.38	38.74	40.31	44.25	45.04	49.13	52.12	53.70	60.00	67.87	75.75	77.32	1.060	67	71
29.92	34.02	37.95	38.74	41.89	44.25	45.83	49.77	50.55	54.65	57.64	59.21	65.51	73.39	81.26	82.84	1.061	33	35
30.08	34.17																	

QT Power Chain® II Carbon Drive Selection

8mm Pre-Engineered Drive Selection Table

Sprocket Combinations				Speed Ratio	Center Distance (in)													
DriveR		DriveN			8MPCC-640 P.L. 25.20 80 Teeth	8MPCC-720 P.L. 28.35 90 Teeth	8MPCC-800 P.L. 31.50 100 Teeth	8MPCC-896 P.L. 35.28 112 Teeth	8MPCC-960 P.L. 37.80 120 Teeth	8MPCC-1000 P.L. 39.37 125 Teeth	8MPCC-1040 P.L. 40.94 130 Teeth	8MPCC-1120 P.L. 44.09 140 Teeth	8MPCC-1200 P.L. 47.24 150 Teeth	8MPCC-1224 P.L. 48.19 155 Teeth	8MPCC-1280 P.L. 50.39 160 Teeth	8MPCC-1440 P.L. 56.69 180 Teeth	8MPCC-1600 P.L. 62.99 200 Teeth	8MPCC-1760 P.L. 68.29 220 Teeth
Number of Grooves	Pitch Diameter (Inches)	Number of Grooves	Pitch Diameter (Inches)															
36	3.609	39	3.910	1.083	6.69	8.27	9.84	11.73	12.99	13.78	14.56	16.14	17.71	18.19	19.29	22.44	25.59	28.74
35	3.509	38	3.810	1.086	6.85	8.43	10.00	11.89	13.15	13.94	14.72	16.30	17.87	18.35	19.45	22.60	25.75	28.90
34	3.409	37	3.709	1.088	7.01	8.58	10.16	12.05	13.31	14.09	14.88	16.45	18.03	18.50	19.60	22.75	25.90	29.05
33	3.308	36	3.609	1.091	7.17	8.74	10.32	12.21	13.47	14.25	15.04	16.61	18.19	18.66	19.76	22.91	26.06	29.21
32	3.208	35	3.509	1.094	7.32	8.90	10.47	12.36	13.62	14.41	15.19	16.77	18.34	18.82	19.92	23.07	26.22	29.37
31	3.108	34	3.409	1.097	7.48	9.06	10.63	12.52	13.78	14.57	15.35	16.93	18.50	18.98	20.08	23.23	26.38	29.53
41	4.110	45	4.511	1.098	5.83	7.40	8.98	10.87	12.13	12.91	13.70	15.27	16.85	17.32	18.42	21.57	24.72	27.87
30	3.008	33	3.308	1.100	7.64	9.21	10.79	12.68	13.94	14.72	15.51	17.08	18.66	19.13	20.23	23.38	26.53	29.68
29	2.907	32	3.208	1.103	7.80	9.37	10.95	12.84	14.10	14.88	15.67	17.24	18.82	19.29	20.39	23.54	26.69	29.84
48	4.812	53	5.314	1.104	6.22	7.79	9.68	10.94	11.73	12.51	14.09	15.67	16.14	17.24	20.39	23.54	26.69	29.84
38	3.810	42	4.211	1.105	6.30	7.87	9.45	11.34	12.60	13.38	14.17	15.74	17.32	17.79	18.89	22.04	25.19	28.34
28	2.807	31	3.108	1.107	7.95	9.53	11.10	12.99	14.25	15.04	15.82	17.40	18.97	19.45	20.55	23.70	26.85	30.00
37	3.709	41	4.110	1.108	6.46	8.03	9.61	11.50	12.76	13.54	14.33	15.90	17.48	17.95	19.05	22.20	25.35	28.50
27	2.707	30	3.008	1.111	8.11	9.69	11.26	13.15	14.41	15.20	15.98	17.56	19.13	19.61	20.71	23.86	27.01	30.16
36	3.609	40	4.010	1.111	6.61	8.19	9.76	11.65	12.91	13.70	14.48	16.06	17.63	18.11	19.21	22.36	25.51	28.66
45	4.511	50	5.013	1.111	6.69	8.27	10.16	11.42	12.20	12.99	13.78	15.35	16.14	16.61	17.71	20.86	24.01	27.16
35	3.509	39	3.910	1.114	6.77	8.35	9.92	11.81	13.07	13.86	14.64	16.22	17.79	18.27	19.37	22.52	25.67	28.82
26	2.607	29	2.907	1.115	8.27	9.84	11.42	13.31	14.57	15.35	16.14	17.71	19.29	19.76	20.86	24.01	27.16	30.31
60	6.015	67	6.717	1.117	7.09	8.66	10.24	12.13	13.39	14.17	14.96	16.53	18.11	18.58	19.68	22.83	25.98	29.13
34	3.409	38	3.810	1.118	6.93	8.50	10.08	11.97	13.23	14.01	14.80	16.37	17.95	18.42	19.52	22.67	25.82	28.97
67	6.717	75	7.519	1.119	8.43	10.00	11.58	13.47	14.73	15.51	16.30	17.87	19.45	19.92	21.02	24.17	27.32	30.47
25	2.506	28	2.807	1.120	5.83	7.40	8.98	10.87	12.13	12.91	13.70	15.27	16.85	17.32	18.42	21.57	24.72	27.87
50	5.013	56	5.614	1.120	7.09	8.66	10.24	12.13	13.39	14.17	14.96	16.53	18.11	18.58	19.68	22.83	25.98	29.13
33	3.308	37	3.709	1.121	7.09	8.66	10.24	12.13	13.39	14.17	14.96	16.53	18.11	18.58	19.68	22.83	25.98	29.13
32	3.208	36	3.609	1.125	7.24	8.82	10.39	12.28	13.54	14.33	15.11	16.69	18.26	18.74	19.84	22.99	26.14	29.29
40	4.010	45	4.511	1.125	5.90	7.48	9.05	10.94	12.21	12.99	13.78	15.35	16.93	17.40	18.50	21.65	24.80	27.95
56	5.614	63	6.316	1.125	7.09	8.66	10.24	12.13	13.39	14.17	14.96	16.53	18.11	18.58	19.68	22.83	25.98	29.13
80	8.020	90	9.023	1.125	7.09	8.66	10.24	12.13	13.39	14.17	14.96	16.53	18.11	18.58	19.68	22.83	25.98	29.13
63	6.316	71	7.118	1.127	8.43	10.00	11.58	13.47	14.73	15.51	16.30	17.87	19.45	19.92	21.02	24.17	27.32	30.47
71	7.118	80	8.020	1.127	7.40	8.98	10.55	12.44	13.70	14.49	15.27	16.85	18.42	18.90	20.00	23.15	26.30	29.45
31	3.108	35	3.509	1.129	6.84	8.42	9.99	11.88	13.14	13.93	14.71	16.28	17.85	18.33	19.43	22.58	25.73	28.88
53	5.314	60	6.015	1.132	7.09	8.66	10.24	12.13	13.39	14.17	14.96	16.53	18.11	18.58	19.68	22.83	25.98	29.13
30	3.008	34	3.409	1.133	7.56	9.13	10.71	12.60	13.86	14.64	15.43	17.00	18.58	19.05	20.15	23.30	26.45	29.60
37	3.709	42	4.211	1.135	6.37	7.95	9.53	11.42	12.68	13.46	14.25	15.82	17.40	17.87	18.97	22.12	25.27	28.42
22	2.206	25	2.506	1.136	8.90	10.47	12.05	13.94	15.20	15.98	16.77	18.34	19.92	20.39	21.49	24.64	27.79	30.94
29	2.907	33	3.308	1.138	7.72	9.29	10.87	12.76	14.02	14.80	15.59	17.16	18.74	19.21	20.31	23.46	26.61	29.76
36	3.609	41	4.110	1.139	6.53	8.11	9.68	11.57	12.84	13.62	14.41	15.98	17.56	18.03	19.13	22.28	25.43	28.58
28	2.807	32	3.208	1.143	7.87	9.45	11.02	12.91	14.17	14.96	15.74	17.32	18.89	19.37	20.47	23.62	26.77	29.92
35	3.509	40	4.010	1.143	6.69	8.27	9.84	11.73	12.99	13.78	14.56	16.14	17.71	18.19	19.29	22.44	25.59	28.74
42	4.211	48	4.812	1.143	5.51	7.08	8.66	10.55	11.81	12.59	13.38	14.96	16.53	17.01	18.11	21.26	24.41	27.56
34	3.409	39	3.910	1.147	6.85	8.42	10.00	11.89	13.15	13.93	14.72	16.29	17.87	18.34	19.44	22.59	25.74	28.89
27	2.707	31	3.108	1.148	8.03	9.61	11.18	13.07	14.33	15.12	15.90	17.48	19.05	19.53	20.63	23.78	26.93	30.08
33	3.308	38	3.810	1.152	7.01	8.58	10.16	12.05	13.31	14.09	14.88	16.45	18.03	18.50	19.60	22.75	25.90	29.05
26	2.607	30	3.008	1.154	8.19	9.76	11.34	13.23	14.49	15.27	16.06	17.63	19.21	19.68	20.78	23.93	27.08	30.23
39	3.910	45	4.511	1.154	5.98	7.56	9.13	11.02	12.28	13.07	13.85	15.43	17.00	17.48	18.58	21.73	24.88	28.03
32	3.208	37	3.709	1.156	7.16	8.74	10.31	12.20	13.47	14.25	15.04	16.61	18.19	18.66	19.76	22.91	26.06	29.21
25	2.506	29	2.907	1.160	8.35	9.92	11.50	13.39	14.65	15.43	16.22	17.79	19.37	19.84	20.94	24.09	27.24	30.39
31	3.108	36	3.609	1.161	7.32	8.90	10.47	12.36	13.62	14.41	15.19	16.77	18.34	18.82	19.92	23.07	26.22	29.37
30	3.008	35	3.509	1.167	7.48	9.05	10.63	12.52	13.78	14.56	15.35	16.93	18.50	18.97	20.07	23.22	26.37	29.52
36	3.609	42	4.211	1.167	6.45	8.03	9.60	11.49	12.75	13.54	14.33	15.90	17.48	17.95	19.05	22.20	25.35	28.50
48	4.812	56	5.614	1.167	5.97	7.55	9.14	10.70	11.49	12.27	13.05	14.63	16.20	16.67	17.77	20.92	24.07	27.22
35	3.509	41	4.110	1.171	6.61	8.19	9.76	11.65	12.91	13.70	14.48	16.06	17.63	18.11	19.21	22.36	25.51	28.66
41	4.110	48	4.812	1.171	5.58	7.16	8.74	10.63	11.89	12.67	13.46	15.03	16.61	17.08	18.18	21.33	24.48	27.63
29	2.907	34	3.409	1.172	7.64	9.21	10.79	12.68	13.94	14.72	15.51	17.08	18.66	19.13	20.23	23.38	26.53	29.68
34	3.409	40	4.010	1.176	6.77	8.34	9.92	11.81	13.07	13.85	14.64	16.22	17.79	18.27	19.37	22.52	25.67	28.82
45	4.511	53	5.314	1.178	6.45	8.02	9.92	11.18	11.96	12.75	13.54	15.11	16.69	17.17	18.27	21.42	24.57	27.72
28	2.807	33	3.308	1.179	7.79	9.37	10.94	12.83	14.10	14.88	15.67	17.24	18.82	19.29	20.39	23.54	26.69	29.84
22	2.206	26	2.607	1.182	8.82	10.39	11.97	13.86	15.12	15.90	16.69	18.26	19.84	20.31	21.41	24.56	27.71	30.86
33	3.308	39	3.910	1.182	6.92	8.50	10.08	11.97	13.23	14.01	14.80	16.37	17.95	18.42	19.52	22.67	25.82	28.97
60	6.015	71	7.118	1.183	7.09	8.66	10.24	12.13	13.39	14.17	14.96	16.53	18.11	18.58	19.68	22.83	25.98	29.13
38	3.810	45	4.511	1.184	6.05	7.63	9.21	11.10	12.36	13.15	13.93	15.51	17.08	17.56	18.66	21.81	24.96	28.11
27	2.707	32	3.208	1.185	7.95	9.53	11.10	12.99	14.25	15.04	15.82	17.40	18.97	19.45	20.55	23.70	26.85	30.00
32	3.208	38	3.810	1.188	7.08	8.66	10.24	12.13	13.39	14.17	14							

QT Power Chain® II Carbon Drive Selection

8mm Pre-Engineered Drive Selection Table

Center Distance (in)																	Sprocket Combinations	
8MPCC-1792 P.L. 70.55 224 Teeth	8MPCC-2000 P.L. 78.74 250 Teeth	8MPCC-2200 P.L. 86.61 275 Teeth	8MPCC-2240 P.L. 88.19 280 Teeth	8MPCC-2400 P.L. 94.49 300 Teeth	8MPCC-2520 P.L. 99.21 315 Teeth	8MPCC-2600 P.L. 102.86 325 Teeth	8MPCC-2800 P.L. 110.24 350 Teeth	8MPCC-2840 P.L. 111.81 355 Teeth	8MPCC-3048 P.L. 120.00 381 Teeth	8MPCC-3200 P.L. 125.98 400 Teeth	8MPCC-3280 P.L. 129.43 410 Teeth	8MPCC-3600 P.L. 141.73 450 Teeth	8MPCC-4000 P.L. 157.48 500 Teeth	8MPCC-4400 P.L. 173.23 550 Teeth	8MPCC-4480 P.L. 176.38 560 Teeth	Speed Ratio	DriveR	
																	Number of Grooves	Number of Grooves
29.37	33.46	37.40	38.19	41.34	43.70	45.27	49.21	50.00	54.09	57.08	58.66	64.96	72.83	80.71	82.28	1.083	36	39
29.53	33.62	37.56	38.35	41.50	43.86	45.43	49.37	50.16	54.25	57.24	58.82	65.12	72.99	80.87	82.44	1.086	35	38
29.68	33.78	37.71	38.50	41.65	44.01	45.59	49.53	50.31	54.41	57.40	58.97	65.27	73.15	81.02	82.60	1.088	34	37
29.84	33.94	37.87	38.66	41.81	44.17	45.75	49.69	50.47	54.57	57.56	59.13	65.43	73.31	81.18	82.76	1.091	33	36
30.00	34.09	38.03	38.82	41.97	44.33	45.90	49.84	50.63	54.72	57.71	59.29	65.59	73.46	81.34	82.91	1.094	32	35
30.16	34.25	38.19	38.98	42.13	44.49	46.06	50.00	50.79	54.88	57.87	59.45	65.75	73.62	81.50	83.07	1.097	31	34
28.50	32.60	36.53	37.32	40.47	42.83	44.41	48.35	49.13	53.23	56.22	57.79	64.09	71.97	79.84	81.42	1.098	41	45
30.31	34.41	38.34	39.13	42.28	44.64	46.22	50.16	50.94	55.04	58.03	59.60	65.90	73.78	81.65	83.23	1.100	30	33
30.47	34.57	38.50	39.29	42.44	44.80	46.38	50.32	51.10	55.20	58.19	59.76	66.06	73.94	81.81	83.39	1.103	29	32
27.32	31.42	35.35	36.14	39.29	41.65	43.23	47.17	47.95	52.05	55.04	56.61	62.91	70.79	78.66	80.24	1.104	48	53
28.97	33.07	37.00	37.79	40.94	43.30	44.88	48.82	49.60	53.70	56.69	58.26	64.57	72.44	80.32	81.89	1.105	38	42
30.63	34.72	38.66	39.45	42.60	44.96	46.53	50.47	51.26	55.35	58.34	59.92	66.22	74.09	81.97	83.54	1.107	28	31
29.13	33.23	37.16	37.95	41.10	43.46	45.04	48.98	49.76	53.86	56.85	58.42	64.72	72.60	80.47	82.05	1.108	37	41
30.79	34.88	38.82	39.61	42.76	45.12	46.69	50.63	51.42	55.51	58.50	60.08	66.38	74.25	82.13	83.70	1.111	27	30
29.29	33.39	37.32	38.11	41.26	43.62	45.20	49.14	49.92	54.02	57.01	58.58	64.88	72.76	80.63	82.21	1.111	36	40
27.79	31.89	35.82	36.61	39.76	42.12	43.70	47.64	48.42	52.52	55.51	57.08	63.38	71.26	79.13	80.71	1.111	45	50
29.45	33.54	37.48	38.27	41.42	43.78	45.35	49.29	50.08	54.17	57.16	58.74	65.04	72.91	80.79	82.36	1.114	35	39
30.94	35.04	38.97	39.76	42.91	45.27	46.85	50.79	51.57	55.67	58.66	60.23	66.53	74.41	82.28	83.86	1.115	26	29
25.27	29.37	33.30	34.09	37.24	39.60	41.18	45.12	45.90	50.00	52.99	54.56	60.86	68.74	76.61	78.19	1.117	60	67
29.60	33.70	37.63	38.42	41.57	43.93	45.51	49.45	50.23	54.33	57.32	58.89	65.19	73.07	80.94	82.52	1.118	34	38
24.09	28.19	32.12	32.91	36.06	38.42	40.00	43.94	44.72	48.82	51.81	53.38	59.68	67.56	75.43	77.01	1.119	67	75
31.10	35.20	39.13	39.92	43.07	45.43	47.01	50.95	51.73	55.83	58.82	60.39	66.69	74.57	82.44	84.02	1.120	25	28
26.93	31.02	34.96	35.75	38.90	41.26	42.83	46.77	47.56	51.65	54.64	56.22	62.52	70.39	78.27	79.84	1.120	50	56
29.76	33.86	37.79	38.58	41.73	44.09	45.67	49.61	50.39	54.49	57.48	59.05	65.35	73.23	81.10	82.68	1.121	33	37
29.92	34.02	37.95	38.74	41.89	44.25	45.83	49.77	50.55	54.65	57.64	59.21	65.51	73.39	81.26	82.84	1.125	32	36
28.58	32.68	36.61	37.40	40.55	42.91	44.49	48.43	49.21	53.31	56.30	57.87	64.17	72.05	79.92	81.50	1.125	40	45
25.90	30.00	33.93	34.72	37.87	40.23	41.81	45.75	46.53	50.63	53.62	55.19	61.49	69.37	77.24	78.82	1.125	56	63
21.88	25.98	29.92	30.71	33.86	36.22	37.79	41.73	42.52	46.61	49.60	51.18	57.48	65.35	73.23	74.80	1.125	80	90
24.72	28.82	32.75	33.54	36.69	39.05	40.63	44.57	45.35	49.45	52.44	54.01	60.31	68.19	76.06	77.64	1.127	63	71
23.38	27.48	31.41	32.20	35.35	37.71	39.29	43.23	44.01	48.11	51.10	52.67	58.97	66.85	74.72	76.30	1.127	71	80
30.08	34.17	38.11	38.90	42.05	44.41	45.98	49.92	50.71	54.80	57.79	59.37	65.67	73.54	81.42	82.99	1.129	31	35
26.37	30.47	34.41	35.20	38.35	40.71	42.28	46.22	47.01	51.10	54.09	55.67	61.97	69.84	77.72	79.29	1.132	53	60
30.23	34.33	38.26	39.05	42.20	44.56	46.14	50.08	50.86	54.96	57.95	59.52	65.82	73.70	81.57	83.15	1.133	30	34
29.05	33.15	37.08	37.87	41.02	43.38	44.96	48.90	49.68	53.78	56.77	58.34	64.64	72.52	80.39	81.97	1.135	37	42
31.57	35.67	39.60	40.39	43.54	45.90	47.48	51.42	52.20	56.30	59.29	60.86	67.16	75.04	82.91	84.49	1.136	22	25
30.39	34.49	38.42	39.21	42.36	44.72	46.30	50.24	51.02	55.12	58.11	59.68	65.98	73.86	81.73	83.31	1.138	29	33
29.21	33.31	37.24	38.03	41.18	43.54	45.12	49.06	49.84	53.94	56.93	58.50	64.80	72.68	80.55	82.13	1.139	36	41
30.55	34.65	38.58	39.37	42.52	44.88	46.46	50.40	51.18	55.28	58.27	59.84	66.14	74.02	81.89	83.47	1.143	28	32
29.37	33.46	37.40	38.19	41.34	43.70	45.27	49.21	50.00	54.09	57.08	58.66	64.96	72.83	80.71	82.28	1.143	35	40
28.19	32.28	36.22	37.01	40.16	42.52	44.09	48.03	48.82	52.91	55.90	57.48	63.78	71.65	79.53	81.10	1.143	42	48
29.53	33.62	37.56	38.35	41.50	43.86	45.43	49.37	50.16	54.25	57.24	58.82	65.12	72.99	80.87	82.44	1.147	34	39
30.71	34.80	38.74	39.53	42.68	45.04	46.61	50.55	51.34	55.43	58.42	60.00	66.30	74.17	82.05	83.62	1.148	27	31
29.68	33.78	37.71	38.50	41.65	44.01	45.59	49.53	50.31	54.41	57.40	58.97	65.27	73.15	81.02	82.60	1.152	33	38
30.86	34.96	38.89	39.68	42.83	45.19	46.77	50.71	51.49	55.59	58.58	60.15	66.45	74.33	82.20	83.78	1.154	26	30
28.66	32.75	36.69	37.48	40.63	42.99	44.57	48.51	49.29	53.39	56.38	57.95	64.25	72.13	80.00	81.58	1.154	39	45
29.84	33.94	37.87	38.66	41.81	44.17	45.75	49.69	50.47	54.57	57.56	59.13	65.43	73.31	81.18	82.76	1.156	32	37
31.02	35.12	39.05	39.84	42.99	45.35	46.93	50.87	51.65	55.75	58.74	60.31	66.61	74.49	82.36	83.94	1.160	25	29
30.00	34.09	38.03	38.82	41.97	44.33	45.90	49.84	50.63	54.72	57.71	59.29	65.59	73.46	81.34	82.91	1.161	31	36
30.16	34.25	38.19	38.98	42.13	44.49	46.06	50.00	50.79	54.88	57.87	59.45	65.75	73.62	81.50	83.07	1.167	30	35
29.13	33.23	37.16	37.95	41.10	43.46	45.04	48.98	49.76	53.86	56.85	58.42	64.72	72.60	80.47	82.05	1.167	36	42
27.08	31.18	35.11	35.90	39.05	41.41	42.99	46.93	47.71	51.81	54.80	56.38	62.68	70.55	78.43	80.00	1.167	48	56
29.29	33.38	37.32	38.11	41.26	43.62	45.20	49.14	49.92	54.02	57.01	58.58	64.88	72.76	80.63	82.21	1.171	35	41
28.27	32.36	36.30	37.09	40.24	42.60	44.17	48.11	48.90	52.99	55.98	57.56	63.86	71.73	79.61	81.18	1.171	41	48
30.31	34.41	38.34	39.13	42.28	44.64	46.22	50.16	50.94	55.04	58.03	59.60	65.90	73.78	81.65	83.23	1.172	29	34
29.45	33.54	37.48	38.27	41.42	43.78	45.35	49.29	50.08	54.17	57.16	58.74	65.04	72.91	80.79	82.36	1.176	34	40
27.56	31.65	35.59	36.38	39.53	41.89	43.46	47.40	48.19	52.28	55.27	56.85	63.15	71.02	78.90	80.47	1.178	45	53
30.47	34.57	38.50	39.29	42.44	44.80	46.38	50.32	51.10	55.20	58.19	59.76	66.06	73.94	81.81	83.39	1.179	28	33
31.49	35.59	39.52	40.31	43.46	45.82	47.40	51.34	52.12	56.22	59.21	60.78	67.08	74.96	82.83	84.41	1.182	22	26
29.60	33.70	37.63	38.42	41.57	43.93	45.51	49.45	50.23	54.33	57.32	58.89	65.20	73.07	80.95	82.52	1.182	33	39
24.95	29.05	32.99	33.78	36.93	39.29	40.86	44.80	45.59	49.68	52.67	54.25	60.55	68.42	76.30	77.87	1.183	60	71
28.74	32.83	36.77	37.56	40.71	43.07	44.64	48.58	49.37	53.46	56.45	58.03	64.33	72.20	80.08	81.65	1.184	38	45
30.63	34.72	38.66	39.45	42.60	44.96	46.5												

QT Power Chain® II Carbon Drive Selection

8mm Pre-Engineered Drive Selection Table

Sprocket Combinations				Speed Ratio	Center Distance (in)													
DriveR		DriveN			8MPCC-640 P.L. 25.20 80 Teeth	8MPCC-720 P.L. 28.35 90 Teeth	8MPCC-800 P.L. 31.50 100 Teeth	8MPCC-896 P.L. 35.28 112 Teeth	8MPCC-960 P.L. 37.80 120 Teeth	8MPCC-1000 P.L. 39.37 125 Teeth	8MPCC-1040 P.L. 40.94 130 Teeth	8MPCC-1120 P.L. 44.09 140 Teeth	8MPCC-1200 P.L. 47.24 150 Teeth	8MPCC-1224 P.L. 48.19 153 Teeth	8MPCC-1260 P.L. 50.39 160 Teeth	8MPCC-1440 P.L. 56.69 180 Teeth	8MPCC-1600 P.L. 62.99 200 Teeth	8MPCC-1760 P.L. 69.29 220 Teeth
Number of Grooves	Pitch Diameter (inches)	Number of Grooves	Pitch Diameter (inches)															
29	2.907	35	3.509	1.207	7.55	9.13	10.71	12.60	13.86	14.64	15.43	17.00	18.58	19.05	20.15	23.30	26.45	29.60
33	3.308	40	4.010	1.212	6.84	8.42	10.00	11.89	13.15	13.93	14.72	16.29	17.87	18.34	19.44	22.59	25.75	28.90
28	2.807	34	3.409	1.214	7.71	9.29	10.86	12.75	14.01	14.80	15.59	17.16	18.74	19.21	20.31	23.46	26.61	29.76
37	3.709	45	4.511	1.216	6.13	7.71	9.29	11.18	12.44	13.22	14.01	15.58	17.16	17.63	18.73	21.89	25.04	28.19
32	3.208	39	3.910	1.219	7.00	8.58	10.15	12.04	13.30	14.09	14.88	16.45	18.03	18.50	19.60	22.75	25.90	29.05
41	4.110	50	5.013	1.220	5.42	7.00	8.57	10.47	11.73	12.51	13.30	14.87	16.45	16.92	18.02	21.17	24.33	27.48
27	2.707	33	3.308	1.222	7.87	9.45	11.02	12.91	14.17	14.96	15.74	17.32	18.89	19.37	20.47	23.62	26.77	29.92
31	3.108	38	3.810	1.226	7.16	8.73	10.31	12.20	13.46	14.25	15.03	16.61	18.18	18.66	19.76	22.91	26.06	29.21
22	2.206	27	2.707	1.227	8.74	10.31	11.89	13.78	15.04	15.82	16.61	18.18	19.76	20.23	21.33	24.49	27.64	30.79
26	2.607	32	3.208	1.231	8.03	9.60	11.18	13.07	14.33	15.11	15.90	17.48	19.05	19.53	20.63	23.78	26.93	30.08
39	3.910	48	4.812	1.231	5.73	7.31	8.89	10.78	12.04	12.83	13.61	15.19	16.76	17.24	18.34	21.49	24.64	27.79
30	3.008	37	3.709	1.233	7.32	8.89	10.47	12.36	13.62	14.41	15.19	16.77	18.34	18.82	19.92	23.07	26.22	29.37
34	3.409	42	4.211	1.235	6.60	8.18	9.76	11.65	12.91	13.69	14.48	16.06	17.63	18.11	19.21	22.36	25.51	28.66
25	2.506	31	3.108	1.240	8.19	9.76	11.34	13.23	14.49	15.27	16.06	17.63	19.21	19.68	20.78	23.93	27.08	30.23
29	2.907	36	3.609	1.241	7.47	9.05	10.63	12.52	13.78	14.56	15.35	16.92	18.50	18.97	20.07	23.22	26.38	29.53
33	3.308	41	4.110	1.242	6.76	8.34	9.92	11.81	13.07	13.85	14.64	16.21	17.79	18.26	19.36	22.52	25.67	28.82
45	4.511	56	5.614	1.244		6.20	7.78	9.67	10.93	11.72	12.51	14.08	15.66	16.13	17.23	20.39	23.54	26.69
28	2.807	35	3.509	1.250	7.63	9.21	10.78	12.67	13.94	14.72	15.51	17.08	18.66	19.13	20.23	23.38	26.53	29.68
32	3.208	40	4.010	1.250	6.92	8.50	10.07	11.96	13.22	14.01	14.80	16.37	17.95	18.42	19.52	22.67	25.82	28.97
36	3.609	45	4.511	1.250	6.21	7.78	9.36	11.25	12.51	13.30	14.09	15.66	17.24	17.71	18.81	21.96	25.11	28.26
40	4.010	50	5.013	1.250	5.49	7.07	8.65	10.54	11.80	12.59	13.37	14.95	16.53	17.00	18.10	21.25	24.40	27.55
48	4.812	60	6.015	1.250		7.22	9.12	10.38	11.17	11.95	13.53	15.10	16.68	17.15	18.25	21.40	24.55	27.70
60	6.015	75	7.519	1.250				8.24	9.02	9.81	11.39	12.97	14.55	15.02	16.12	19.27	22.42	25.57
31	3.108	39	3.910	1.258	7.08	8.65	10.23	12.12	13.38	14.17	14.95	16.53	18.10	18.58	19.68	22.83	25.98	29.13
27	2.707	34	3.409	1.259	7.79	9.36	10.94	12.83	14.09	14.88	15.66	17.24	18.81	19.29	20.39	23.54	26.69	29.84
50	5.013	63	6.316	1.260		6.82	8.72	9.98	10.77	11.55	13.13	14.71	16.28	16.75	17.85	21.00	24.15	27.30
42	4.211	53	5.314	1.262		6.67	8.25	10.14	11.41	12.19	12.98	14.55	16.13	16.60	17.71	20.86	24.01	27.16
38	3.810	48	4.812	1.263	5.81	7.39	8.96	10.86	12.12	12.90	13.69	15.27	16.84	17.32	18.42	21.57	24.72	27.87
53	5.314	67	6.717	1.264				8.16	9.42	10.21	11.00	12.58	14.15	14.63	15.73	18.88	22.03	25.19
30	3.008	38	3.810	1.267	7.23	8.81	10.39	12.28	13.54	14.32	15.11	16.69	18.26	18.74	19.84	22.99	26.14	29.29
56	5.614	71	7.118	1.268				7.60	8.87	9.66	10.44	12.02	13.60	14.08	15.18	18.33	21.48	24.63
71	7.118	90	9.023	1.268								9.32	10.90	11.38	12.48	15.64	18.79	21.95
26	2.607	33	3.308	1.269	7.95	9.52	11.10	12.99	14.25	15.04	15.82	17.40	18.97	19.45	20.55	23.70	26.85	30.00
63	6.316	80	8.020	1.270						8.38	9.17	10.75	12.33	12.81	13.91	17.06	20.22	23.37
22	2.206	28	2.807	1.273	8.66	10.23	11.81	13.70	14.96	15.74	16.53	18.11	19.68	20.16	21.26	24.41	27.56	30.71
33	3.308	42	4.211	1.273	6.68	8.26	9.83	11.73	12.99	13.77	14.56	16.13	17.71	18.18	19.28	22.44	25.59	28.74
29	2.907	37	3.709	1.276	7.39	8.97	10.55	12.44	13.70	14.48	15.27	16.84	18.42	18.89	19.99	23.15	26.30	29.45
25	2.506	32	3.208	1.280	8.10	9.68	11.26	13.15	14.41	15.19	15.98	17.55	19.13	19.60	20.70	23.85	27.00	30.16
32	3.208	41	4.110	1.281	6.84	8.42	9.99	11.88	13.14	13.93	14.72	16.29	17.87	18.34	19.44	22.59	25.74	28.89
39	3.910	50	5.013	1.282	5.56	7.15	8.72	10.62	11.88	12.66	13.45	15.03	16.60	17.08	18.18	21.33	24.48	27.63
28	2.807	36	3.609	1.286	7.55	9.13	10.70	12.59	13.86	14.64	15.43	17.00	18.58	19.05	20.15	23.30	26.45	29.60
35	3.509	45	4.511	1.286	6.28	7.86	9.44	11.33	12.59	13.38	14.16	15.74	17.31	17.79	18.89	22.04	25.19	28.34
31	3.108	40	4.010	1.290	6.99	8.57	10.15	12.04	13.30	14.09	14.88	16.45	18.03	18.50	19.60	22.75	25.90	29.05
41	4.110	53	5.314	1.293		6.75	8.33	10.22	11.48	12.27	13.05	14.63	16.21	16.68	17.78	20.93	24.09	27.24
27	2.707	35	3.509	1.296	7.71	9.28	10.86	12.75	14.01	14.80	15.58	17.16	18.73	19.21	20.31	23.46	26.61	29.76
37	3.709	48	4.812	1.297	5.88	7.46	9.04	10.93	12.20	12.98	13.77	15.34	16.92	17.39	18.49	21.65	24.80	27.95
30	3.008	39	3.910	1.300	7.15	8.73	10.31	12.20	13.46	14.24	15.03	16.61	18.18	18.66	19.76	22.91	26.06	29.21
26	2.607	34	3.409	1.308	7.86	9.44	11.02	12.91	14.17	14.95	15.74	17.32	18.89	19.37	20.47	23.62	26.77	29.92
29	2.907	38	3.810	1.310	7.31	8.89	10.46	12.36	13.62	14.40	15.19	16.76	18.34	18.81	19.91	23.07	26.22	29.37
32	3.208	42	4.211	1.313	6.75	8.33	9.91	11.80	13.06	13.85	14.63	16.21	17.79	18.26	19.36	22.51	25.66	28.81
48	4.812	63	6.316	1.313				6.97	8.87	10.13	10.92	11.71	13.28	14.86	15.34	16.44	19.59	22.74
38	3.810	50	5.013	1.316	5.64	7.22	8.80	10.69	11.96	12.74	13.53	15.10	16.68	17.15	18.26	21.41	24.56	27.71
22	2.206	29	2.907	1.318	8.58	10.15	11.73	13.62	14.88	15.67	16.45	18.03	19.60	20.08	21.18	24.33	27.48	30.63
25	2.506	33	3.308	1.320	8.02	9.60	11.18	13.07	14.33	15.11	15.90	17.47	19.05	19.52	20.62	23.78	26.93	30.08
28	2.807	37	3.709	1.321	7.47	9.05	10.62	12.51	13.77	14.56	15.35	16.92	18.50	18.97	20.07	23.22	26.37	29.52
31	3.108	41	4.110	1.323	6.91	8.49	10.07	11.96	13.22	14.01	14.79	16.37	17.94	18.42	19.52	22.67	25.82	28.97
34	3.409	45	4.511	1.324	6.36	7.94	9.51	11.41	12.67	13.45	14.24	15.82	17.39	17.87	18.97	22.12	25.27	28.42
40	4.010	53	5.314	1.325	5.24	6.82	8.40	10.30	11.56	12.34	13.13	14.71	16.28	16.76	17.86	21.01	24.16	27.31
27	2.707	36	3.609	1.333	7.63	9.20	10.78	12.67	13.93	14.72	15.50	17.08	18.65	19.13	20.23	23.38	26.53	29.68
30	3.008	40	4.010	1.333	7.07	8.65	10.23	12.12	13.38	14.16	14.95	16.53	18.10	18.58	19.68	22.83	25.98	29.13
36	3.609	48	4.812	1.333	5.96	7.54	9.12	11.01	12.27	13.06	13.84	15.42	17.00	17.47	18.57	21.72	24.87	28.02
42	4.211	56	5.614	1.333		6.42	8.00	9.90	11.16	11.95	12.73	14.31	15.89	16.36	17.46	20.62	23.77	26.92
45	4.511	60	6.015	1.333		5.86	7.44	9.34	10.61	11.39	12.18	13.76	15.33	15.81	16.91	20.06	23.22	26.37
60	6.015	80	8.020	1.333					7.81	8.60	9.39	10.98	12.56					

QT Power Chain® II Carbon Drive Selection

8mm Pre-Engineered Drive Selection Table

Center Distance (in)																	Sprocket Combinations	
8MPCC-1792 P.L. 70.55 224 Teeth	8MPCC-2000 P.L. 78.74 250 Teeth	8MPCC-2200 P.L. 86.61 275 Teeth	8MPCC-2240 P.L. 88.19 280 Teeth	8MPCC-2400 P.L. 94.49 300 Teeth	8MPCC-2520 P.L. 99.21 315 Teeth	8MPCC-2600 P.L. 102.36 325 Teeth	8MPCC-2800 P.L. 110.24 350 Teeth	8MPCC-2840 P.L. 111.81 355 Teeth	8MPCC-3048 P.L. 120.00 381 Teeth	8MPCC-3200 P.L. 125.98 400 Teeth	8MPCC-3280 P.L. 129.13 410 Teeth	8MPCC-3600 P.L. 141.73 450 Teeth	8MPCC-4000 P.L. 157.45 500 Teeth	8MPCC-4400 P.L. 173.23 550 Teeth	8MPCC-4480 P.L. 176.38 560 Teeth	Speed Ratio	Sprocket Combinations	
																	DriveR Number of Grooves	DriveN Number of Grooves
30.23	34.33	38.26	39.05	42.20	44.56	46.14	50.08	50.86	54.96	57.95	59.53	65.83	73.70	81.58	83.15	1.207	29	35
29.53	33.62	37.56	38.35	41.50	43.86	45.43	49.37	50.16	54.25	57.24	58.82	65.12	72.99	80.87	82.44	1.212	33	40
30.39	34.49	38.42	39.21	42.36	44.72	46.30	50.24	51.02	55.12	58.11	59.68	65.98	73.86	81.73	83.31	1.214	28	34
28.82	32.91	36.85	37.64	40.79	43.15	44.72	48.66	49.45	53.54	56.53	58.11	64.41	72.28	80.16	81.73	1.216	37	45
29.68	33.78	37.71	38.50	41.65	44.01	45.59	49.53	50.31	54.41	57.40	58.97	65.27	73.15	81.02	82.60	1.219	32	39
28.11	32.20	36.14	36.93	40.08	42.44	44.01	47.95	48.74	52.83	55.82	57.40	63.70	71.57	79.45	81.02	1.220	41	50
30.55	34.64	38.58	39.37	42.52	44.88	46.45	50.39	51.18	55.28	58.27	59.84	66.14	74.02	81.89	83.47	1.222	27	33
29.84	33.93	37.87	38.66	41.81	44.17	45.75	49.69	50.47	54.57	57.56	59.13	65.43	73.31	81.18	82.76	1.226	31	38
31.42	35.51	39.45	40.24	43.39	45.75	47.32	51.26	52.05	56.14	59.13	60.71	67.01	74.88	82.76	84.33	1.227	22	27
30.71	34.80	38.74	39.53	42.68	45.04	46.61	50.55	51.34	55.43	58.42	60.00	66.30	74.17	82.05	83.62	1.231	26	32
28.42	32.52	36.45	37.24	40.39	42.75	44.33	48.27	49.05	53.15	56.14	57.71	64.01	71.89	79.76	81.34	1.231	39	48
30.00	34.09	38.03	38.82	41.97	44.33	45.90	49.84	50.63	54.72	57.71	59.29	65.59	73.46	81.34	82.91	1.233	30	37
29.29	33.38	37.32	38.11	41.26	43.62	45.19	49.13	49.92	54.01	57.00	58.58	64.88	72.75	80.63	82.20	1.235	34	42
30.86	34.96	38.89	39.68	42.83	45.19	46.77	50.71	51.49	55.59	58.58	60.16	66.46	74.33	82.21	83.78	1.240	25	31
30.16	34.25	38.19	38.98	42.13	44.49	46.06	50.00	50.79	54.88	57.87	59.45	65.75	73.62	81.50	83.07	1.241	29	36
29.45	33.54	37.48	38.27	41.42	43.78	45.35	49.29	50.08	54.17	57.16	58.74	65.04	72.91	80.79	82.36	1.242	33	41
27.32	31.41	35.35	36.14	39.29	41.65	43.22	47.16	47.95	52.04	55.04	56.61	62.91	70.79	78.66	80.24	1.244	45	56
30.31	34.41	38.34	39.13	42.28	44.64	46.22	50.16	50.94	55.04	58.03	59.60	65.90	73.78	81.65	83.23	1.250	28	35
29.60	33.70	37.63	38.42	41.57	43.93	45.51	49.45	50.23	54.33	57.32	58.89	65.19	73.07	80.95	82.52	1.250	32	40
28.89	32.99	36.92	37.71	40.87	43.23	44.80	48.74	49.53	53.62	56.61	58.19	64.49	72.36	80.24	81.81	1.250	36	45
28.18	32.28	36.21	37.00	40.16	42.52	44.09	48.03	48.82	52.91	55.90	57.48	63.78	71.65	79.53	81.10	1.250	40	50
26.76	30.86	34.80	35.59	38.74	41.10	42.67	46.61	47.40	51.49	54.48	56.06	62.36	70.23	78.11	79.68	1.250	48	60
24.63	28.73	32.67	33.46	36.61	38.97	40.54	44.48	45.27	49.36	52.36	53.93	60.23	68.11	75.98	77.56	1.250	60	75
29.76	33.86	37.79	38.58	41.73	44.09	45.67	49.61	50.39	54.49	57.48	59.05	65.35	73.23	81.10	82.68	1.258	31	39
30.47	34.56	38.50	39.29	42.44	44.80	46.38	50.32	51.10	55.20	58.19	59.76	66.06	73.94	81.81	83.39	1.259	27	34
26.37	30.47	34.40	35.19	38.34	40.70	42.28	46.22	47.00	51.10	54.09	55.66	61.96	69.84	77.71	79.29	1.260	50	63
27.79	31.88	35.82	36.61	39.76	42.12	43.70	47.64	48.42	52.52	55.51	57.08	63.38	71.26	79.13	80.71	1.262	42	53
28.50	32.59	36.53	37.32	40.47	42.83	44.41	48.35	49.13	53.23	56.22	57.79	64.09	71.97	79.84	81.42	1.263	38	48
25.82	29.91	33.85	34.64	37.79	40.15	41.72	45.67	46.45	50.55	53.54	55.11	61.41	69.29	77.16	78.74	1.264	53	67
29.92	34.01	37.95	38.74	41.89	44.25	45.82	49.76	50.55	54.64	57.63	59.21	65.51	73.38	81.26	82.83	1.267	30	38
25.26	29.36	33.30	34.09	37.24	39.60	41.17	45.11	45.90	49.99	52.98	54.56	60.86	68.74	76.61	78.19	1.268	56	71
22.58	26.68	30.61	31.40	34.55	36.92	38.49	42.43	43.22	47.31	50.30	51.88	58.18	66.06	73.93	75.51	1.268	71	90
30.63	34.72	38.66	39.45	42.60	44.96	46.53	50.47	51.26	55.35	58.34	59.92	66.22	74.09	81.97	83.54	1.269	26	33
24.00	28.10	32.03	32.82	35.98	38.34	39.91	43.85	44.64	48.73	51.72	53.30	59.60	67.48	75.35	76.93	1.270	63	80
31.34	35.43	39.37	40.16	43.31	45.67	47.24	51.18	51.97	56.06	59.05	60.63	66.93	74.80	82.68	84.25	1.273	22	28
29.37	33.46	37.40	38.19	41.34	43.70	45.27	49.21	50.00	54.09	57.08	58.66	64.96	72.83	80.71	82.28	1.273	33	42
30.08	34.17	38.11	38.90	42.05	44.41	45.98	49.92	50.71	54.80	57.79	59.37	65.67	73.54	81.42	82.99	1.276	29	37
30.79	34.88	38.82	39.61	42.76	45.12	46.69	50.63	51.42	55.51	58.50	60.08	66.38	74.25	82.13	83.70	1.280	25	32
29.52	33.62	37.55	38.34	41.50	43.86	45.43	49.37	50.16	54.25	57.24	58.82	65.12	72.99	80.87	82.44	1.281	32	41
28.26	32.36	36.29	37.08	40.23	42.59	44.17	48.11	48.89	52.99	55.98	57.55	63.85	71.73	79.60	81.18	1.282	39	50
30.23	34.33	38.26	39.05	42.20	44.56	46.14	50.08	50.86	54.96	57.95	59.52	65.82	73.70	81.57	83.15	1.286	28	36
28.97	33.07	37.00	37.79	40.94	43.30	44.88	48.82	49.60	53.70	56.69	58.26	64.56	72.44	80.31	81.89	1.286	35	45
29.68	33.78	37.71	38.50	41.65	44.01	45.59	49.53	50.31	54.41	57.40	58.97	65.27	73.15	81.02	82.60	1.290	31	40
27.87	31.96	35.90	36.69	39.84	42.20	43.77	47.71	48.50	52.59	55.59	57.16	63.46	71.34	79.21	80.79	1.293	41	53
30.39	34.49	38.42	39.21	42.36	44.72	46.30	50.24	51.02	55.12	58.11	59.68	65.98	73.86	81.73	83.31	1.296	27	35
28.58	32.67	36.61	37.40	40.55	42.91	44.48	48.42	49.21	53.30	56.29	57.87	64.17	72.05	79.92	81.50	1.297	37	48
29.84	33.93	37.87	38.66	41.81	44.17	45.74	49.68	50.47	54.56	57.55	59.13	65.43	73.31	81.18	82.76	1.300	30	39
30.55	34.64	38.58	39.37	42.52	44.88	46.45	50.39	51.18	55.27	58.26	59.84	66.14	74.01	81.89	83.46	1.308	26	34
30.00	34.09	38.03	38.82	41.97	44.33	45.90	49.84	50.63	54.72	57.71	59.29	65.59	73.46	81.34	82.91	1.310	29	38
29.44	33.54	37.48	38.26	41.42	43.78	45.35	49.29	50.08	54.17	57.16	58.74	65.04	72.91	80.79	82.36	1.313	32	42
26.52	30.62	34.56	35.35	38.50	40.86	42.43	46.37	47.16	51.25	54.24	55.82	62.12	70.00	77.87	79.45	1.313	48	63
28.34	32.43	36.37	37.16	40.31	42.67	44.25	48.19	48.97	53.07	56.06	57.63	63.93	71.81	79.68	81.26	1.316	38	50
31.26	35.35	39.29	40.08	43.23	45.59	47.16	51.10	51.89	55.98	58.97	60.55	66.85	74.72	82.60	84.17	1.318	22	29
30.71	34.80	38.74	39.53	42.68	45.04	46.61	50.55	51.34	55.43	58.42	60.00	66.30	74.17	82.05	83.62	1.320	25	33
30.15	34.25	38.19	38.97	42.12	44.49	46.06	50.00	50.79	54.88	57.87	59.45	65.75	73.62	81.50	83.07	1.321	28	37
29.60	33.70	37.63	38.42	41.57	43.93	45.51	49.45	50.23	54.33	57.32	58.89	65.19	73.07	80.94	82.52	1.323	31	41
29.05	33.15	37.08	37.87	41.02	43.38	44.96	48.90	49.68	53.78	56.77	58.34	64.64	72.52	80.39	81.97	1.324	34	45
27.94	32.04	35.98	36.77	39.92	42.28	43.85	47.79	48.58	52.67	55.66	57.24	63.54	71.41	79.29	80.86	1.325	40	53
30.31	34.41	38.34	39.13	42.28	44.64	46.22	50.16	50.94	55.04	58.03	59.60	65.90	73.78	81.65	83.23	1.333	27	36
29.76	33.85	37.79	38.58	41.73	44.09	45.67	49.61	50.39	54.49	57.48	59.05	65.35	73.23	81.10	82.68	1.333	30	40
28.65	32.75	36.69	37.48	40.63	42.99	44.56	48.50	49.29	53.38	56.37	57.95	64.25	72.12	80.00	81.57	1.333	36	48
27.55	31.65	35.58	36.37	39.52	41.													

QT Power Chain® II Carbon Drive Selection

8mm Pre-Engineered Drive Selection Table

Sprocket Combinations				Speed Ratio	Center Distance (in)														
DriveR		DriveN			8MPCC-640 P.L. 25.20 80 Teeth	8MPCC-720 P.L. 28.35 90 Teeth	8MPCC-800 P.L. 31.50 100 Teeth	8MPCC-896 P.L. 35.28 112 Teeth	8MPCC-960 P.L. 37.80 120 Teeth	8MPCC-1000 P.L. 39.37 125 Teeth	8MPCC-1040 P.L. 40.94 130 Teeth	8MPCC-1120 P.L. 44.09 140 Teeth	8MPCC-1200 P.L. 47.24 150 Teeth	8MPCC-1224 P.L. 48.19 153 Teeth	8MPCC-1260 P.L. 50.39 160 Teeth	8MPCC-1440 P.L. 56.69 180 Teeth	8MPCC-1600 P.L. 62.99 200 Teeth	8MPCC-1760 P.L. 69.29 220 Teeth	
Number of Grooves	Pitch Diameter (inches)	Number of Grooves	Pitch Diameter (inches)																
41	4.110	56	5.614	1.366		6.49	8.08	9.97	11.24	12.02	12.81	14.39	15.97	16.44	17.54	20.69	23.85	27.00	
30	3.008	41	4.110	1.367	6.99	8.57	10.14	12.04	13.30	14.08	14.87	16.45	18.02	18.50	19.60	22.75	25.90	29.05	
27	2.707	37	3.709	1.370	7.54	9.12	10.70	12.59	13.85	14.64	15.42	17.00	18.57	19.05	20.15	23.30	26.45	29.60	
35	3.509	48	4.812	1.371	6.03	7.61	9.19	11.09	12.35	13.13	13.92	15.50	17.07	17.55	18.65	21.80	24.95	28.10	
29	2.907	40	4.010	1.379	7.15	8.72	10.30	12.19	13.46	14.24	15.03	16.60	18.18	18.65	19.75	22.91	26.06	29.21	
26	2.607	36	3.609	1.385	7.70	9.28	10.86	12.75	14.01	14.79	15.58	17.16	18.73	19.21	20.31	23.46	26.61	29.76	
36	3.609	50	5.013	1.389	5.79	7.37	8.95	10.85	12.11	12.89	13.68	15.26	16.83	17.31	18.41	21.56	24.71	27.86	
28	2.807	39	3.910	1.393	7.30	8.88	10.46	12.35	13.61	14.40	15.18	16.76	18.34	18.81	19.91	23.06	26.21	29.36	
38	3.810	53	5.314	1.395	5.38	6.97	8.55	10.45	11.71	12.50	13.28	14.86	16.44	16.91	18.01	21.17	24.32	27.47	
48	4.812	67	6.717	1.396			6.63	8.53	9.80	10.59	11.38	12.96	14.53	15.01	16.11	19.27	22.42	25.57	
25	2.506	35	3.509	1.400	7.86	9.44	11.01	12.91	14.17	14.95	15.74	17.31	18.89	19.36	20.46	23.62	26.77	29.92	
30	3.008	42	4.211	1.400	6.90	8.48	10.06	11.96	13.22	14.00	14.79	16.36	17.94	18.42	19.52	22.67	25.82	28.97	
40	4.010	56	5.614	1.400		6.57	8.15	10.05	11.31	12.10	12.89	14.46	16.04	16.52	17.62	20.77	23.92	27.07	
45	4.511	63	6.316	1.400			7.19	9.09	10.36	11.14	11.93	13.51	15.09	15.57	16.67	19.82	22.97	26.13	
80	8.020	112	11.229	1.400											9.95	13.13	16.30	19.46	
32	3.208	45	4.511	1.406	6.50	8.09	9.67	11.56	12.82	13.61	14.39	15.97	17.55	18.02	19.12	22.27	25.42	28.58	
27	2.707	38	3.810	1.407	7.46	9.04	10.62	12.51	13.77	14.56	15.34	16.92	18.49	18.97	20.07	23.22	26.37	29.52	
22	2.206	31	3.108	1.409	8.41	9.99	11.57	13.46	14.72	15.50	16.29	17.87	19.44	19.92	21.02	24.17	27.32	30.47	
34	3.409	48	4.812	1.412	6.10	7.69	9.27	11.16	12.42	13.21	14.00	15.57	17.15	17.62	18.73	21.88	25.03	28.18	
29	2.907	41	4.110	1.414	7.06	8.64	10.22	12.11	13.38	14.16	14.95	16.52	18.10	18.57	19.67	22.83	25.98	29.13	
53	5.314	75	7.519	1.415				7.48	8.75	9.54	10.33	11.91	13.50	13.97	15.08	18.23	21.39	24.54	
50	5.013	71	7.118	1.420				8.04	9.31	10.10	10.89	12.47	14.05	14.53	15.63	18.79	21.94	25.10	
26	2.607	37	3.709	1.423	7.62	9.20	10.78	12.67	13.93	14.71	15.50	17.08	18.65	19.13	20.23	23.38	26.53	29.68	
28	2.807	40	4.010	1.429	7.22	8.80	10.38	12.27	13.53	14.32	15.10	16.68	18.26	18.73	19.83	22.98	26.13	29.28	
35	3.509	50	5.013	1.429	5.86	7.44	9.03	10.92	12.18	12.97	13.76	15.33	16.91	17.39	18.49	21.64	24.79	27.94	
42	4.211	60	6.015	1.429		6.08	7.67	9.57	10.83	11.62	12.41	13.98	15.56	16.04	17.14	20.29	23.45	26.60	
56	5.614	80	8.020	1.429				8.10	9.37	10.16	10.95	12.53	14.11	14.59	15.69	18.84	22.00	25.15	
63	6.316	90	9.023	1.429								8.31	9.91	11.49	13.08	16.24	19.40	22.56	
37	3.709	53	5.314	1.432	5.45	7.04	8.63	10.52	11.79	12.57	13.36	14.94	16.51	16.99	18.09	21.24	24.40	27.55	
39	3.910	56	5.614	1.436		6.64	8.23	10.12	11.39	12.18	12.96	14.54	16.12	16.59	17.69	20.85	24.00	27.15	
25	2.506	36	3.609	1.440	7.78	9.36	10.93	12.83	14.09	14.87	15.66	17.23	18.81	19.28	20.38	23.54	26.69	29.84	
27	2.707	39	3.910	1.444	7.38	8.96	10.54	12.43	13.69	14.48	15.26	16.84	18.41	18.89	19.99	23.14	26.29	29.44	
29	2.907	42	4.211	1.448	6.98	8.56	10.14	12.03	13.29	14.08	14.87	16.44	18.02	18.49	19.59	22.75	25.90	29.05	
31	3.108	45	4.511	1.452	6.58	8.16	9.74	11.63	12.90	13.68	14.47	16.05	17.62	18.10	19.20	22.35	25.50	28.65	
22	2.206	32	3.208	1.455	8.33	9.91	11.49	13.38	14.64	15.42	16.21	17.79	19.36	19.84	20.94	24.09	27.24	30.39	
33	3.308	48	4.812	1.455	6.18	7.76	9.34	11.24	12.50	13.29	14.07	15.65	17.23	17.70	18.80	21.95	25.11	28.26	
26	2.607	38	3.810	1.462	7.54	9.12	10.69	12.59	13.85	14.63	15.42	16.99	18.57	19.05	20.15	23.30	26.45	29.60	
41	4.110	60	6.015	1.463		6.15	7.74	9.64	10.91	11.69	12.48	14.06	15.64	16.11	17.22	20.37	23.52	26.68	
28	2.807	41	4.110	1.464	7.14	8.72	10.30	12.19	13.45	14.24	15.02	16.60	18.18	18.65	19.75	22.90	26.05	29.21	
34	3.409	50	5.013	1.471	5.93	7.52	9.10	11.00	12.26	13.05	13.83	15.41	16.99	17.46	18.56	21.72	24.87	28.02	
36	3.609	53	5.314	1.472	5.53	7.12	8.70	10.60	11.86	12.65	13.43	15.01	16.59	17.07	18.17	21.32	24.47	27.62	
38	3.810	56	5.614	1.474		6.71	8.30	10.20	11.46	12.25	13.04	14.62	16.19	16.67	17.77	20.92	24.08	27.23	
48	4.812	71	7.118	1.479			8.19	9.46	10.25	11.04	11.82	13.40	14.98	15.46	16.56	19.71	22.86	26.01	
25	2.506	37	3.709	1.480	7.70	9.27	10.85	12.74	14.01	14.79	15.58	17.15	18.73	19.20	20.30	23.46	26.61	29.76	
27	2.707	40	4.010	1.481	7.30	8.88	10.45	12.35	13.61	14.39	15.18	16.76	18.33	18.81	19.91	23.06	26.21	29.36	
45	4.511	67	6.717	1.489			6.84	8.75	10.02	10.81	11.60	13.18	14.76	15.24	16.34	19.50	22.65	25.80	
75	7.519	112	11.229	1.493											10.30	13.49	16.67	19.83	
22	2.206	33	3.308	1.500	8.25	9.83	11.41	13.30	14.56	15.34	16.13	17.71	19.28	19.76	20.86	24.01	27.16	30.31	
26	2.607	39	3.910	1.500	7.45	9.03	10.61	12.50	13.77	14.55	15.34	16.91	18.49	18.97	20.07	23.22	26.37	29.52	
28	2.807	42	4.211	1.500	7.05	8.63	10.21	12.11	13.37	14.16	14.94	16.52	18.09	18.57	19.67	22.82	25.97	29.12	
30	3.008	45	4.511	1.500	6.65	8.24	9.82	11.71	12.97	13.76	14.55	16.12	17.70	18.17	19.27	22.43	25.58	28.73	
32	3.208	48	4.812	1.500	6.25	7.84	9.42	11.31	12.58	13.36	14.15	15.73	17.30	17.78	18.88	22.03	25.18	28.33	
40	4.010	60	6.015	1.500		6.22	7.81	9.71	10.98	11.77	12.56	14.14	15.71	16.19	17.29	20.45	23.60	26.75	
42	4.211	63	6.316	1.500		5.81	7.41	9.31	10.58	11.37	12.16	13.74	15.32	15.79	16.89	20.05	23.20	26.36	
50	5.013	75	7.519	1.500				7.70	8.97	9.76	10.55	12.14	13.72	14.20	15.30	18.46	21.62	24.77	
60	6.015	90	9.023	1.500							8.53	10.12	11.71	12.19	13.30	16.47	19.63	22.78	
53	5.314	80	8.020	1.509				8.32	9.11	9.90	11.49	13.08	14.66	15.14	16.24	19.40	22.56	25.71	
35	3.509	53	5.314	1.514	5.60	7.19	8.77	10.67	11.94	12.72	13.51	15.09	16.67	17.14	18.24	21.40	24.55	27.70	
37	3.709	56	5.614	1.514	5.19	6.79	8.37	10.27	11.54	12.33	13.11	14.69	16.27	16.75	17.85	21.00	24.15	27.31	
33	3.308	50	5.013	1.515	6.00	7.59	9.18	11.07	12.34	13.12	13.91	15.49	17.06	17.54	18.64	21.79	24.95	28.10	
27	2.707	41	4.110	1.519	7.21	8.79	10.37	12.27	13.53	14.31	15.10	16.68	18.25	18.73	19.83	22.98	26.13	29.28	
25	2.506	38	3.810	1.520	7.61	9.19	10.77	12.66	13.92	14.71	15.50	17.07	18.65	19.12	20.22	23.38	26.53	29.68	
41	4.110	63	6.316	1.537		5.88	7.48	9.39	10.65	11.44	12.23	13.81	15.39	15.87	16.97	20.13	23.28	26.43	
26	2.607	40	4.010	1.538	7.37	8.95	10.53	12.42	13.69	14.47	15.26	16.83	18.41	18.88	19.99	23.14	26.29	29.44	
39	3.910	60	6.015	1.538		6.29	7.88	9.79	11.05	11									

QT Power Chain® II Carbon Drive Selection

8mm Pre-Engineered Drive Selection Table

Center Distance (in)																	Sprocket Combinations	
8MPCC-1792 P.L. 70.55 224 Teeth	8MPCC-2000 P.L. 78.74 250 Teeth	8MPCC-2200 P.L. 86.61 275 Teeth	8MPCC-2240 P.L. 88.19 280 Teeth	8MPCC-2400 P.L. 94.49 300 Teeth	8MPCC-2520 P.L. 99.21 315 Teeth	8MPCC-2600 P.L. 102.36 325 Teeth	8MPCC-2800 P.L. 110.24 350 Teeth	8MPCC-2840 P.L. 111.81 355 Teeth	8MPCC-3048 P.L. 120.00 381 Teeth	8MPCC-3200 P.L. 125.98 400 Teeth	8MPCC-3280 P.L. 129.13 410 Teeth	8MPCC-3600 P.L. 141.73 450 Teeth	8MPCC-4000 P.L. 157.45 500 Teeth	8MPCC-4400 P.L. 173.23 550 Teeth	8MPCC-4480 P.L. 176.38 560 Teeth	Speed Ratio	Sprocket Combinations	
																	DriveR	DriveN
																	Number of Grooves	Number of Grooves
27.63	31.72	35.66	36.45	39.60	41.96	43.54	47.48	48.26	52.20	55.35	56.92	63.22	71.10	78.97	80.55	1.366	41	56
29.68	33.78	37.71	38.50	41.65	44.01	45.59	49.53	50.31	54.25	57.40	58.97	65.27	73.15	81.02	82.60	1.367	30	41
30.23	34.33	38.26	39.05	42.20	44.56	46.14	50.08	50.86	54.80	57.95	59.52	65.82	73.70	81.57	83.15	1.370	27	37
28.73	32.83	36.76	37.55	40.70	43.06	44.64	48.58	49.37	53.30	56.45	58.03	64.33	72.20	80.08	81.65	1.371	35	48
29.84	33.93	37.87	38.66	41.81	44.17	45.74	49.68	50.47	54.40	57.55	59.13	65.43	73.31	81.18	82.76	1.379	29	40
30.39	34.48	38.42	39.21	42.36	44.72	46.30	50.24	51.02	54.96	58.11	59.68	65.98	73.86	81.73	83.31	1.385	26	36
28.49	32.59	36.53	37.32	40.47	42.83	44.40	48.34	49.13	53.06	56.21	57.79	64.09	71.96	79.84	81.42	1.389	36	50
29.99	34.09	38.03	38.82	41.97	44.33	45.90	49.84	50.63	54.56	57.71	59.29	65.59	73.46	81.34	82.91	1.393	28	39
28.10	32.20	36.13	36.92	40.07	42.43	44.01	47.95	48.73	52.67	55.82	57.39	63.69	71.57	79.45	81.02	1.395	38	53
26.20	30.30	34.24	35.03	38.18	40.54	42.11	46.06	46.84	50.78	53.93	55.50	61.80	69.68	77.55	79.13	1.396	48	67
30.55	34.64	38.58	39.37	42.52	44.88	46.45	50.39	51.18	55.11	58.26	59.84	66.14	74.01	81.89	83.46	1.400	25	35
29.60	33.69	37.63	38.42	41.57	43.93	45.51	49.45	50.23	54.17	57.32	58.90	65.19	73.07	80.94	82.52	1.400	30	42
27.70	31.80	35.74	36.53	39.68	42.04	43.61	47.55	48.34	52.28	55.43	57.00	63.30	71.18	79.05	80.63	1.400	40	56
26.76	30.85	34.79	35.58	38.73	41.09	42.67	46.61	47.39	51.33	54.48	56.05	62.35	70.23	78.11	79.68	1.400	45	63
20.09	24.20	28.14	28.93	32.09	34.45	36.03	39.97	40.76	44.69	47.84	49.42	55.72	63.60	71.48	73.05	1.400	80	112
29.21	33.30	37.24	38.03	41.18	43.54	45.11	49.05	49.84	53.77	56.92	58.50	64.80	72.67	80.55	82.12	1.406	32	45
30.15	34.25	38.18	38.97	42.12	44.48	46.06	50.00	50.78	54.72	57.87	59.44	65.74	73.62	81.49	83.07	1.407	27	38
31.10	35.19	39.13	39.92	43.07	45.43	47.00	50.94	51.73	55.66	58.81	60.39	66.69	74.57	82.44	84.02	1.409	22	31
28.81	32.91	36.84	37.63	40.78	43.14	44.72	48.66	49.44	53.38	56.53	58.10	64.40	72.28	80.16	81.73	1.412	34	48
29.76	33.85	37.79	38.58	41.73	44.09	45.66	49.61	50.39	54.33	57.48	59.05	65.35	73.23	81.10	82.68	1.414	29	41
25.17	29.27	33.21	34.00	37.15	39.51	41.09	45.03	45.81	49.75	52.90	54.47	60.78	68.65	76.53	78.10	1.415	53	75
25.73	29.82	33.76	34.55	37.70	40.06	41.64	45.58	46.37	50.30	53.45	55.03	61.33	69.20	77.08	78.66	1.420	50	71
30.31	34.41	38.34	39.13	42.28	44.64	46.22	50.16	50.94	54.88	58.03	59.60	65.90	73.78	81.65	83.23	1.423	26	37
29.91	34.01	37.95	38.74	41.89	44.25	45.82	49.76	50.55	54.48	57.63	59.21	65.51	73.38	81.26	82.83	1.429	28	40
28.57	32.67	36.60	37.39	40.54	42.91	44.48	48.42	49.21	53.14	56.29	57.87	64.17	72.04	79.92	81.49	1.429	35	50
27.23	31.33	35.26	36.05	39.20	41.56	43.14	47.08	47.87	51.80	54.95	56.53	62.83	70.70	78.58	80.15	1.429	42	60
24.54	28.64	32.57	33.37	36.52	38.88	40.45	44.40	45.18	49.12	52.27	53.84	60.14	68.02	75.90	77.47	1.429	56	80
23.19	27.29	31.23	32.02	35.17	37.53	39.11	43.05	43.84	47.77	50.92	52.50	58.80	66.68	74.56	76.13	1.429	63	90
28.18	32.27	36.21	37.00	40.15	42.51	44.09	48.03	48.81	52.75	55.90	57.47	63.77	71.65	79.52	81.10	1.432	37	53
27.78	31.88	35.81	36.60	39.76	42.12	43.69	47.63	48.42	52.35	55.50	57.08	63.38	71.25	79.13	80.71	1.436	39	56
30.47	34.56	38.50	39.29	42.44	44.80	46.37	50.31	51.10	55.03	58.18	59.76	66.06	73.94	81.81	83.39	1.440	25	36
30.07	34.17	38.10	38.89	42.04	44.40	45.98	49.92	50.70	54.64	57.79	59.36	65.67	73.54	81.42	82.99	1.444	27	39
29.68	33.77	37.71	38.50	41.65	44.01	45.58	49.53	50.31	54.25	57.40	58.97	65.27	73.15	81.02	82.60	1.448	29	42
29.28	33.38	37.31	38.10	41.26	43.62	45.19	49.13	49.92	53.85	57.00	58.58	64.88	72.75	80.63	82.20	1.452	31	45
31.02	35.11	39.05	39.84	42.99	45.35	46.93	50.87	51.65	55.59	58.74	60.31	66.61	74.49	82.36	83.94	1.455	22	32
28.89	32.98	36.92	37.71	40.86	43.22	44.80	48.74	49.52	53.46	56.61	58.18	64.48	72.36	80.23	81.81	1.455	33	48
30.23	34.32	38.26	39.05	42.20	44.56	46.14	50.08	50.86	54.80	57.95	59.52	65.82	73.70	81.57	83.15	1.462	26	38
27.31	31.40	35.34	36.13	39.28	41.64	43.22	47.16	47.94	51.88	55.03	56.60	62.91	70.78	78.66	80.23	1.463	41	60
29.84	33.93	37.87	38.66	41.81	44.17	45.74	49.68	50.47	54.40	57.55	59.13	65.43	73.30	81.18	82.75	1.464	28	41
28.65	32.75	36.68	37.47	40.62	42.98	44.56	48.50	49.28	53.22	56.37	57.94	64.25	72.12	80.00	81.57	1.471	34	50
28.25	32.35	36.29	37.08	40.23	42.59	44.16	48.10	48.89	52.83	55.98	57.55	63.85	71.73	79.60	81.18	1.472	36	53
27.86	31.96	35.89	36.68	39.83	42.19	43.77	47.71	48.50	52.43	55.58	57.16	63.46	71.33	79.21	80.78	1.474	38	56
25.88	29.98	33.92	34.71	37.86	40.22	41.79	45.74	46.52	50.46	53.61	55.18	61.48	69.36	77.24	78.81	1.479	48	71
30.39	34.48	38.42	39.21	42.36	44.72	46.29	50.24	51.02	54.96	58.11	59.68	65.98	73.86	81.73	83.31	1.480	25	37
29.99	34.09	38.03	38.81	41.96	44.32	45.90	49.84	50.63	54.56	57.71	59.29	65.59	73.46	81.34	82.91	1.481	27	40
26.43	30.53	34.47	35.26	38.41	40.77	42.35	46.29	47.07	51.01	54.16	55.74	62.04	69.91	77.79	79.36	1.489	45	67
20.47	24.58	28.52	29.31	32.47	34.83	36.41	40.35	41.14	45.08	48.23	49.81	56.11	63.99	71.87	73.44	1.493	75	112
30.94	35.03	38.97	39.76	42.91	45.27	46.85	50.79	51.57	55.51	58.66	60.23	66.53	74.41	82.28	83.86	1.500	22	33
30.15	34.25	38.18	38.97	42.12	44.48	46.06	50.00	50.78	54.72	57.87	59.44	65.74	73.62	81.49	83.07	1.500	26	39
29.75	33.85	37.79	38.58	41.73	44.09	45.66	49.60	50.39	54.32	57.47	59.05	65.35	73.22	81.10	82.68	1.500	28	42
29.36	33.46	37.39	38.18	41.33	43.69	45.27	49.21	49.99	53.93	57.08	58.65	64.96	72.83	80.71	82.28	1.500	30	45
28.97	33.06	37.00	37.79	40.94	43.30	44.87	48.81	49.60	53.54	56.69	58.26	64.56	72.44	80.31	81.89	1.500	32	48
27.37	31.48	35.42	36.21	39.36	41.72	43.29	47.24	48.02	51.96	55.11	56.68	62.98	70.86	78.74	80.31	1.500	40	60
26.99	31.08	35.02	35.81	38.96	41.32	42.90	46.84	47.63	51.56	54.71	56.29	62.59	70.46	78.34	79.92	1.500	42	63
25.40	29.50	33.44	34.23	37.38	39.74	41.32	45.26	46.05	49.98	53.13	54.71	61.01	68.89	76.76	78.34	1.500	50	75
23.42	27.52	31.46	32.25	35.40	37.76	39.34	43.28	44.07	48.01	51.16	52.73	59.04	66.91	74.79	76.36	1.500	60	90
24.77	28.87	32.80	33.60	36.75	39.11	40.69	44.63	45.41	49.35	52.50	54.08	60.38	68.25	76.13	77.71	1.509	53	80
28.33	32.43	36.36	37.15	40.31	42.67	44.24	48.18	48.97	52.90	56.05	57.63	63.93	71.80	79.68	81.26	1.514	35	53
27.94	32.03	35.97	36.76	39.91	42.27	43.85	47.79	48.57	52.51	55.66	57.23	63.54	71.41	79.29	80.86	1.514	37	56
28.73	32.82	36.76	37.55	40.70	43.06	44.64	48.58	49.37	53.30	56.45	58.03	64.32	72.20	80.08	81.65	1.515	33	50
29.91	34.01	37.94	38.73	41.89	44.25	45.82	49.76	50.55	54.48	57.63	59.21	65.51	73.38					

QT Power Chain® II Carbon Drive Selection

8mm Pre-Engineered Drive Selection Table

Sprocket Combinations				Speed Ratio	Center Distance (in)													
DriveR		DriveN			8MPCC-640 P.L. 25.20 80 Teeth	8MPCC-720 P.L. 28.35 90 Teeth	8MPCC-800 P.L. 31.50 100 Teeth	8MPCC-896 P.L. 35.28 112 Teeth	8MPCC-960 P.L. 37.80 120 Teeth	8MPCC-1000 P.L. 39.37 125 Teeth	8MPCC-1040 P.L. 40.94 130 Teeth	8MPCC-1120 P.L. 44.09 140 Teeth	8MPCC-1200 P.L. 47.24 150 Teeth	8MPCC-1224 P.L. 48.19 153 Teeth	8MPCC-1260 P.L. 50.39 160 Teeth	8MPCC-1440 P.L. 56.69 180 Teeth	8MPCC-1600 P.L. 62.99 200 Teeth	8MPCC-1760 P.L. 69.29 220 Teeth
Number of Grooves	Pitch Diameter (inches)	Number of Grooves	Pitch Diameter (inches)															
45	4.511	71	7.118	1.578			6.49	8.41	9.68	10.47	11.26	12.85	14.43	14.90	16.01	19.17	22.32	25.48
38	3.810	60	6.015	1.579	8.09	6.36	7.96	9.86	11.13	11.92	12.71	14.29	15.87	16.34	17.44	20.60	23.75	26.91
22	2.206	35	3.509	1.591			11.24	13.14	14.40	15.18	15.97	17.54	19.12	19.60	20.70	23.85	27.00	30.15
42	4.211	67	6.717	1.595			7.06	8.97	10.24	11.03	11.82	13.40	14.98	15.46	16.56	19.72	22.88	26.03
25	2.506	40	4.010	1.600	7.44	9.03	10.61	12.50	13.76	14.55	15.33	16.91	18.49	18.96	20.06	23.22	26.37	29.52
30	3.008	48	4.812	1.600	6.39	7.98	9.57	11.46	12.73	13.51	14.30	15.88	17.45	17.93	19.03	22.18	25.34	28.49
35	3.509	56	5.614	1.600	5.33	6.93	8.52	10.42	11.69	12.48	13.26	14.84	16.42	16.90	18.00	21.15	24.31	27.46
50	5.013	80	8.020	1.600			7.25	8.53	9.33	10.12	11.71	13.30	13.78	14.88	18.05	21.21	24.36	
33	3.308	53	5.314	1.606	5.74	7.33	8.92	10.82	12.09	12.87	13.66	15.24	16.82	17.29	18.40	21.55	24.70	27.86
28	2.807	45	4.511	1.607	6.80	8.38	9.97	11.86	13.12	13.91	14.70	16.28	17.85	18.33	19.43	22.58	25.73	28.88
56	5.614	90	9.023	1.607			9.97	11.86	13.12	13.91	14.70	16.28	17.85	18.33	19.43	22.58	25.73	28.88
31	3.108	50	5.013	1.613	6.15	7.74	9.32	11.22	12.49	13.27	14.06	15.64	17.22	17.69	18.79	21.95	25.10	28.25
26	2.607	42	4.211	1.615	7.20	8.78	10.36	12.26	13.52	14.31	15.09	16.67	18.25	18.72	19.82	22.98	26.13	29.28
39	3.910	63	6.316	1.615			7.62	9.53	10.80	11.59	12.38	13.96	15.54	16.02	17.12	20.28	23.43	26.59
37	3.709	60	6.015	1.622			8.03	9.94	11.20	11.99	12.78	14.36	15.94	16.42	17.52	20.68	23.83	26.98
41	4.110	67	6.717	1.634			7.13	9.04	10.31	11.10	11.90	13.48	15.06	15.54	16.64	19.80	22.95	26.11
22	2.206	36	3.609	1.636	8.00	9.58	11.16	13.05	14.32	15.10	15.89	17.46	19.04	19.52	20.62	23.77	26.92	30.07
25	2.506	41	4.110	1.640	7.36	8.94	10.52	12.42	13.68	14.47	15.25	16.83	18.41	18.88	19.98	23.13	26.29	29.44
34	3.409	56	5.614	1.647	5.40	7.00	8.59	10.50	11.76	12.55	13.34	14.92	16.50	16.97	18.07	21.23	24.38	27.54
29	2.907	48	4.812	1.655	6.47	8.06	9.64	11.54	12.80	13.59	14.38	15.95	17.53	18.01	19.11	22.26	25.41	28.57
32	3.208	53	5.314	1.656	5.81	7.41	9.00	10.90	12.16	12.95	13.74	15.32	16.89	17.37	18.47	21.63	24.78	27.93
38	3.810	63	6.316	1.658			7.69	9.61	10.87	11.66	12.45	14.04	15.62	16.09	17.20	20.35	23.51	26.66
27	2.707	45	4.511	1.667	6.87	8.46	10.04	11.94	13.20	13.99	14.77	16.35	17.93	18.40	19.51	22.66	25.81	28.96
30	3.008	50	5.013	1.667	6.22	7.81	9.40	11.30	12.56	13.35	14.13	15.71	17.29	17.77	18.87	22.02	25.18	28.33
36	3.609	60	6.015	1.667			8.10	10.01	11.28	12.07	12.85	14.44	16.02	16.49	17.60	20.75	23.91	27.06
45	4.511	75	7.519	1.667			8.05	9.33	10.12	10.92	11.71	13.29	14.87	15.34	16.45	19.60	22.75	25.90
48	4.812	80	8.020	1.667			7.39	8.67	9.47	10.27	11.06	12.64	14.22	14.69	15.80	19.00	22.15	25.30
67	6.717	112	11.229	1.672										9.74	10.87	14.07	17.25	20.43
40	4.010	67	6.717	1.675			7.20	9.11	10.39	11.18	11.97	13.55	15.13	15.61	16.72	19.87	23.03	26.19
25	2.506	42	4.211	1.680	7.27	8.86	10.44	12.34	13.60	14.38	15.17	16.75	18.32	18.80	19.90	23.05	26.21	29.36
22	2.206	37	3.709	1.682	7.92	9.50	11.08	12.97	14.23	15.02	15.81	17.38	18.96	19.43	20.54	23.69	26.84	29.99
42	4.211	71	7.118	1.690			6.69	8.62	9.90	10.69	11.48	13.07	14.65	15.13	16.23	19.39	22.55	25.71
33	3.308	56	5.614	1.697	5.47	7.07	8.67	10.57	11.84	12.62	13.41	14.99	16.57	17.05	18.15	21.31	24.46	27.61
53	5.314	90	9.023	1.698			7.41	8.21	9.02	10.62	12.22	12.70	13.81	16.98	17.46	18.56	21.71	24.86
37	3.709	63	6.316	1.703			6.16	7.77	9.68	10.95	11.74	12.53	14.11	15.69	16.17	17.27	20.43	23.59
31	3.108	53	5.314	1.710	5.88	7.48	9.07	10.97	12.24	13.02	13.81	15.39	16.97	17.45	18.55	21.70	24.86	28.01
28	2.807	48	4.812	1.714	6.54	8.13	9.71	11.61	12.88	13.66	14.45	16.03	17.61	18.08	19.18	22.34	25.49	28.64
35	3.509	60	6.015	1.714			8.17	10.08	11.35	12.14	12.93	14.51	16.09	16.57	17.67	20.83	23.98	27.14
39	3.910	67	6.717	1.718			7.27	9.19	10.46	11.25	12.04	13.63	15.21	15.69	16.79	19.95	23.11	26.26
29	2.907	50	5.013	1.724	6.29	7.88	9.47	11.37	12.64	13.42	14.21	15.79	17.37	17.84	18.95	22.10	25.25	28.41
22	2.206	38	3.810	1.727	7.83	9.42	11.00	12.89	14.15	14.94	15.72	17.30	18.88	19.35	20.45	23.61	26.76	29.91
26	2.607	45	4.511	1.731	6.94	8.53	10.11	12.01	13.28	14.06	14.85	16.43	18.00	18.48	19.58	22.73	25.89	29.04
41	4.110	71	7.118	1.732			6.76	8.69	9.97	10.76	11.55	13.14	14.72	15.20	16.31	19.47	22.63	25.78
32	3.208	56	5.614	1.750	5.54	7.14	8.74	10.64	11.91	12.70	13.49	15.07	16.65	17.12	18.23	21.38	24.54	27.69
36	3.609	63	6.316	1.750			6.23	7.84	9.75	11.02	11.81	12.60	14.19	15.77	16.24	17.35	20.51	23.66
80	8.020	140	14.036	1.750														13.84
38	3.810	67	6.717	1.763			7.34	9.26	10.53	11.32	12.11	13.70	15.28	15.76	16.86	20.02	23.18	26.34
34	3.409	60	6.015	1.765			6.65	8.25	10.15	11.42	12.21	13.00	14.59	16.17	16.64	20.90	24.06	27.21
30	3.008	53	5.314	1.767	5.95	7.55	9.14	11.04	12.31	13.10	13.89	15.47	17.04	17.52	18.62	21.78	24.93	28.09
22	2.206	39	3.910	1.773	7.75	9.33	10.91	12.81	14.07	14.86	15.64	17.22	18.80	19.27	20.37	23.53	26.68	29.83
40	4.010	71	7.118	1.775			6.83	8.76	10.04	10.83	11.63	13.21	14.80	15.28	16.38	19.54	22.70	25.86
27	2.707	48	4.812	1.778	6.61	8.20	9.79	11.69	12.95	13.74	14.53	16.11	17.68	18.16	19.26	22.41	25.57	28.72
45	4.511	80	8.020	1.778				7.59	8.88	9.68	10.48	12.08	13.67	14.14	15.25	18.42	21.58	24.74
63	6.316	112	11.229	1.778				8.26	9.54	10.34	11.13	12.72	14.31	14.79	15.90	19.06	22.22	25.38
28	2.807	50	5.013	1.786	6.36	7.96	9.54	11.44	12.71	13.50	14.29	15.86	17.44	17.92	19.02	22.18	25.33	28.48
42	4.211	75	7.519	1.786				8.26	9.54	10.34	11.13	12.72	14.31	14.79	15.90	19.06	22.22	25.38
25	2.506	45	4.511	1.800	7.02	8.61	10.19	12.09	13.35	14.14	14.93	16.50	18.08	18.56	19.66	22.81	25.96	29.12
35	3.509	63	6.316	1.800			6.30	7.91	9.82	11.09	11.89	12.68	14.26	14.74	15.84	19.00	22.15	25.30
50	5.013	90	9.023	1.800				7.61	8.42	9.23	10.84	12.43	14.02	14.50	15.60	18.75	21.90	25.05
31	3.108	56	5.614	1.806	5.61	7.22	8.81	10.72	11.98	12.77	13.56	15.14	16.72	17.20	18.30	21.46	24.61	27.77
37	3.709	67	6.717	1.811			7.41	9.33	10.60	11.40	12.19	13.77	15.36	15.83	16.94	20.10	23.26	26.41
22	2.206	40	4.010	1.818	7.66	9.25	10.83	12.73	13.99	14.78	15.56	17.14	18.72	19.19	20.29	23.45	26.60	29.75
33	3.308	60	6.015	1.818			8.32	10.23	11.50	12.29	13.08	14.66	16.24	16.72	17.82	20.98	24.13	27.29
39	3.910	71	7.118	1.821			6.90	8.83	10.11	10.91	11.70	13.29	14.87	15.35	16.46	19.62	22.78	25.93
29	2.907	53	5.314	1.828	6.02	7.62	9.21	11.12	12.38	13.17	13.96	15.54	17.12	17.60	18.70	21.86	25.01	28.16
41	4.110	75	7.519	1.829			6.39	8.33	9.62									

QT Power Chain® II Carbon Drive Selection

8mm Pre-Engineered Drive Selection Table

Center Distance (in)																Speed Ratio	Sprocket Combinations	
8MPCC-1792 P.L. 70.55 224 Teeth	8MPCC-2000 P.L. 78.74 250 Teeth	8MPCC-2200 P.L. 86.61 275 Teeth	8MPCC-2240 P.L. 88.19 280 Teeth	8MPCC-2400 P.L. 94.49 300 Teeth	8MPCC-2520 P.L. 99.21 315 Teeth	8MPCC-2600 P.L. 102.36 325 Teeth	8MPCC-2800 P.L. 110.24 350 Teeth	8MPCC-2840 P.L. 111.81 355 Teeth	8MPCC-3048 P.L. 120.00 381 Teeth	8MPCC-3200 P.L. 125.98 400 Teeth	8MPCC-3280 P.L. 129.13 410 Teeth	8MPCC-3600 P.L. 141.73 450 Teeth	8MPCC-4000 P.L. 157.48 500 Teeth	8MPCC-4400 P.L. 173.23 550 Teeth	8MPCC-4480 P.L. 176.38 560 Teeth		DriveR	DriveN
																	Number of Grooves	Number of Grooves
26.11	30.21	34.15	34.94	38.09	40.45	42.03	45.97	46.75	50.85	53.84	55.42	61.72	69.59	77.47	79.05	1.578	45	71
27.54	31.63	35.57	36.36	39.51	41.87	43.45	47.39	48.18	52.27	55.26	56.84	63.14	71.01	78.89	80.47	1.579	38	60
30.78	34.88	38.81	39.60	42.75	45.11	46.69	50.63	51.41	55.51	58.50	60.07	66.37	74.25	82.12	83.70	1.591	22	35
26.66	30.76	34.70	35.49	38.64	41.00	42.58	46.52	47.31	51.40	54.39	55.97	62.27	70.15	78.02	79.60	1.595	42	67
30.15	34.24	38.18	38.97	42.12	44.48	46.06	50.00	50.78	54.88	57.87	59.44	65.74	73.62	81.49	83.07	1.600	25	40
29.12	33.22	37.15	37.94	41.09	43.45	45.03	48.97	49.76	53.85	56.84	58.42	64.72	72.59	80.47	82.04	1.600	30	48
28.09	32.19	36.12	36.91	40.07	42.43	44.00	47.94	48.73	52.82	55.81	57.39	63.69	71.57	79.44	81.02	1.600	35	56
24.99	29.10	33.03	33.83	36.98	39.34	40.92	44.86	45.64	49.74	52.73	54.31	60.61	68.49	76.36	77.94	1.600	50	80
28.49	32.58	36.52	37.31	40.46	42.82	44.40	48.34	49.12	53.22	56.21	57.78	64.09	71.96	79.84	81.41	1.606	33	53
29.52	33.61	37.55	38.34	41.49	43.85	45.42	49.37	50.15	54.25	57.24	58.81	65.11	72.99	80.86	82.44	1.607	28	45
23.72	27.82	31.76	32.55	35.71	38.07	39.65	43.59	44.38	48.47	51.47	53.04	59.34	67.22	75.10	76.68	1.607	56	90
28.88	32.98	36.91	37.70	40.86	43.22	44.79	48.73	49.52	53.61	56.60	58.18	64.48	72.36	80.23	81.81	1.613	31	50
29.91	34.01	37.94	38.73	41.88	44.24	45.82	49.76	50.54	54.64	57.63	59.20	65.51	73.38	81.26	82.83	1.615	26	42
27.22	31.32	35.25	36.04	39.20	41.56	43.13	47.07	47.86	51.95	54.95	56.52	62.82	70.70	78.57	80.15	1.615	39	63
27.61	31.71	35.65	36.44	39.59	41.95	43.53	47.47	48.25	52.35	55.34	56.92	63.22	71.09	78.97	80.54	1.622	37	60
26.74	30.84	34.78	35.57	38.72	41.08	42.66	46.60	47.38	51.48	54.47	56.05	62.35	70.22	78.10	79.68	1.634	41	67
30.70	34.80	38.73	39.52	42.67	45.03	46.61	50.55	51.33	55.43	58.42	59.99	66.29	74.17	82.04	83.62	1.636	22	36
30.07	34.16	38.10	38.89	42.04	44.40	45.98	49.92	50.70	54.80	57.79	59.36	65.66	73.54	81.41	82.99	1.640	25	41
28.17	32.26	36.20	36.99	40.14	42.50	44.08	48.02	48.81	52.90	55.89	57.47	63.77	71.64	79.52	81.10	1.647	34	56
29.20	33.29	37.23	38.02	41.17	43.53	45.11	49.05	49.83	53.93	56.92	58.49	64.80	72.67	80.55	82.12	1.655	29	48
28.56	32.66	36.60	37.39	40.54	42.90	44.47	48.42	49.20	53.30	56.29	57.86	64.16	72.04	79.91	81.49	1.656	32	53
27.29	31.39	35.33	36.12	39.27	41.63	43.21	47.15	47.94	52.03	55.02	56.60	62.90	70.78	78.65	80.23	1.658	38	63
29.59	33.69	37.63	38.42	41.57	43.93	45.50	49.44	50.23	54.32	57.31	58.89	65.19	73.07	80.94	82.52	1.667	27	45
28.96	33.06	36.99	37.78	40.93	43.29	44.87	48.81	49.60	53.69	56.68	58.26	64.56	72.43	80.31	81.88	1.667	30	50
27.69	31.79	35.73	36.52	39.67	42.03	43.60	47.55	48.33	52.43	55.42	56.99	63.29	71.17	79.05	80.62	1.667	36	60
25.78	29.88	33.82	34.61	37.77	40.13	41.70	45.65	46.43	50.53	53.52	55.10	61.40	69.28	77.15	78.73	1.667	45	75
25.15	29.25	33.19	33.98	37.13	39.49	41.07	45.01	45.80	49.90	52.89	54.46	60.77	68.64	76.52	78.10	1.667	48	80
21.06	25.17	29.12	29.92	33.07	35.44	37.02	40.96	41.75	45.85	48.84	50.42	56.73	64.61	72.49	74.06	1.672	67	112
26.82	30.92	34.85	35.64	38.79	41.16	42.73	46.68	47.46	51.56	54.55	56.12	62.43	70.30	78.18	79.75	1.675	40	67
29.99	34.08	38.02	38.81	41.96	44.32	45.90	49.84	50.62	54.72	57.71	59.28	65.58	73.46	81.34	82.91	1.680	25	42
30.62	34.72	38.65	39.44	42.59	44.95	46.53	50.47	51.25	55.35	58.34	59.91	66.22	74.09	81.97	83.54	1.682	22	37
26.34	30.44	34.38	35.17	38.32	40.68	42.26	46.20	46.98	51.08	54.07	55.65	61.95	69.83	77.70	79.28	1.690	42	71
28.24	32.34	36.28	37.07	40.22	42.58	44.16	48.10	48.88	52.98	55.97	57.55	63.85	71.72	79.60	81.17	1.697	33	56
23.94	28.05	31.99	32.78	35.94	38.30	39.88	43.82	44.61	48.70	51.70	53.27	59.58	67.45	75.33	76.91	1.698	53	90
27.37	31.47	35.41	36.20	39.35	41.71	43.29	47.23	48.01	52.11	55.10	56.68	62.98	70.85	78.73	80.31	1.703	37	63
28.64	32.74	36.67	37.46	40.62	42.98	44.55	48.49	49.28	53.37	56.36	57.94	64.24	72.12	79.99	81.57	1.710	31	53
29.27	33.37	37.31	38.10	41.25	43.61	45.18	49.13	49.91	54.01	57.00	58.57	64.87	72.75	80.62	82.20	1.714	28	48
27.77	31.87	35.80	36.59	39.75	42.11	43.68	47.62	48.41	52.50	55.50	57.07	63.37	71.25	79.12	80.70	1.714	35	60
26.89	30.99	34.93	35.72	38.87	41.23	42.81	46.75	47.54	51.63	54.63	56.20	62.50	70.38	78.26	79.83	1.718	39	67
29.04	33.13	37.07	37.86	41.01	43.37	44.95	48.89	49.67	53.77	56.76	58.34	64.64	72.51	80.39	81.96	1.724	29	50
30.54	34.64	38.57	39.36	42.51	44.87	46.45	50.39	51.17	55.27	58.26	59.83	66.14	74.01	81.89	83.46	1.727	22	38
29.67	33.77	37.70	38.49	41.64	44.00	45.58	49.52	50.31	54.40	57.39	58.97	65.27	73.14	81.02	82.59	1.731	26	45
26.41	30.51	34.45	35.24	38.40	40.76	42.33	46.28	47.06	51.16	54.15	55.73	62.03	69.91	77.78	79.36	1.732	41	71
28.32	32.42	36.36	37.15	40.30	42.66	44.23	48.18	48.96	53.06	56.05	57.62	63.92	71.80	79.68	81.25	1.750	32	56
27.45	31.55	35.48	36.27	39.43	41.79	43.36	47.31	48.09	52.19	55.18	56.75	63.06	70.93	78.81	80.38	1.750	36	63
17.70	21.84	25.81	26.60	29.77	32.14	33.72	37.68	38.46	42.57	45.57	47.15	53.46	61.34	69.23	70.80	1.750	80	140
26.97	31.07	35.01	35.80	38.95	41.31	42.89	46.83	47.61	51.71	54.70	56.28	62.58	70.46	78.33	79.91	1.763	38	67
27.84	31.94	35.88	36.67	39.82	42.18	43.76	47.70	48.49	52.58	55.57	57.15	63.45	71.33	79.20	80.78	1.765	34	60
28.72	32.81	36.75	37.54	40.69	43.05	44.63	48.57	49.36	53.45	56.44	58.02	64.32	72.19	80.07	81.65	1.767	30	53
30.46	34.56	38.49	39.28	42.43	44.79	46.37	50.31	51.09	55.19	58.18	59.76	66.06	73.93	81.81	83.38	1.773	22	39
26.49	30.59	34.53	35.32	38.47	40.84	42.41	46.35	47.14	51.24	54.23	55.80	62.11	69.98	77.86	79.43	1.775	40	71
29.35	33.45	37.38	38.18	41.33	43.69	45.26	49.20	49.99	54.08	57.07	58.65	64.95	72.83	80.70	82.28	1.778	27	48
25.37	29.48	33.42	34.21	37.36	39.72	41.30	45.24	46.03	50.13	53.12	54.70	61.00	68.88	76.75	78.33	1.778	45	80
21.35	25.47	29.42	30.22	33.37	35.74	37.32	41.27	42.05	46.15	49.15	50.73	57.03	64.91	72.79	74.37	1.778	63	112
29.11	33.21	37.15	37.94	41.09	43.45	45.02	48.97	49.75	53.85	56.84	58.41	64.71	72.59	80.47	82.04	1.786	28	50
26.01	30.11	34.05	34.84	38.00	40.36	41.93	45.88	46.66	50.76	53.75	55.33	61.63	69.51	77.38	78.96	1.786	42	75
29.75	33.84	37.78	38.57	41.72	44.08	45.66	49.60	50.38	54.48	57.47	59.05	65.35	73.22	81.10	82.67	1.800	25	45
27.52	31.62	35.56	36.35	39.50	41.86	43.44	47.38	48.17	52.26	55.26	56.83	63.13	71.01	78.89	80.46	1.800	35	63
24.17	28.28	32.22	33.01	36.17	38.53	40.11	44.05	44.84	48.94	51.93	53.50	59.81	67.69	75.56	77.14	1.800	50	90
28.40	32.50	36.43	37.22	40.38	42.74	44.31	48.25	49.04	53.13	56.13	57.70	64.00	71.88	79.75	81.33	1.806	31	56
27.04	31.15	35.08	35.87	39.03	41.39	42.97	46.91	47.69	51.79	54.78	56.36	62.66	70.54	78.41	79.99	1.811	37	67
30.38	34.48	38.41	39.20	42.35	44.71</													

QT Power Chain® II Carbon Drive Selection

8mm Pre-Engineered Drive Selection Table

Sprocket Combinations				Speed Ratio	Center Distance (in)													
DriveR		DriveN			8MPCC-640 P.L. 25.20 80 Teeth	8MPCC-720 P.L. 28.35 90 Teeth	8MPCC-800 P.L. 31.50 100 Teeth	8MPCC-896 P.L. 35.28 112 Teeth	8MPCC-960 P.L. 37.80 120 Teeth	8MPCC-1000 P.L. 39.37 125 Teeth	8MPCC-1040 P.L. 40.94 130 Teeth	8MPCC-1120 P.L. 44.09 140 Teeth	8MPCC-1200 P.L. 47.24 150 Teeth	8MPCC-1224 P.L. 48.19 153 Teeth	8MPCC-1260 P.L. 50.39 160 Teeth	8MPCC-1440 P.L. 56.69 180 Teeth	8MPCC-1600 P.L. 62.99 200 Teeth	8MPCC-1760 P.L. 69.29 220 Teeth
Number of Grooves	Pitch Diameter (inches)	Number of Grooves	Pitch Diameter (inches)															
28	2.807	53	5.314	1.893	6.09	7.69	9.29	11.19	12.46	13.25	14.04	15.62	17.20	17.67	18.77	21.93	25.09	28.24
42	4.211	80	8.020	1.905				7.80	9.09	9.89	10.69	12.29	13.88	14.36	15.47	18.64	21.81	24.97
22	2.206	42	4.211	1.909	7.49	9.08	10.66	12.56	13.82	14.61	15.40	16.98	18.55	19.03	20.13	23.28	26.44	29.59
33	3.308	63	6.316	1.909				8.05	9.97	11.24	12.03	12.82	14.41	15.99	16.47	17.57	20.73	23.89
35	3.509	67	6.717	1.914		5.93	7.55	9.47	10.75	11.54	12.33	13.92	15.51	15.98	17.09	20.25	23.41	26.57
37	3.709	71	7.118	1.919			7.04	8.97	10.25	11.05	11.84	13.43	15.02	15.50	16.60	19.77	22.93	26.09
25	2.506	48	4.812	1.920	6.75	8.35	9.94	11.84	13.10	13.89	14.68	16.26	17.84	18.31	19.41	22.57	25.72	28.87
26	2.607	50	5.013	1.923	6.50	8.10	9.69	11.59	12.86	13.65	14.44	16.02	17.59	18.07	19.17	22.33	25.48	28.63
39	3.910	75	7.519	1.923			6.52	8.47	9.76	10.55	11.35	12.94	14.53	15.01	16.12	19.28	22.45	25.61
29	2.907	56	5.614	1.931	5.75	7.36	8.96	10.86	12.13	12.92	13.71	15.29	16.87	17.35	18.45	21.61	24.77	27.92
31	3.108	60	6.015	1.935	5.23	6.86	8.46	10.37	11.64	12.43	13.22	14.81	16.39	16.87	17.97	21.13	24.29	27.44
41	4.110	80	8.020	1.951			7.87	9.16	9.97	10.77	11.57	13.16	14.75	15.23	16.33	19.49	22.65	25.81
27	2.707	53	5.314	1.963	6.16	7.77	9.36	11.26	12.53	13.32	14.11	15.69	17.27	17.75	18.85	22.01	25.16	28.32
32	3.208	63	6.316	1.969			8.12	10.04	11.31	12.10	12.90	14.48	16.06	16.54	17.65	20.81	23.96	27.12
34	3.409	67	6.717	1.971			7.62	9.54	10.82	11.61	12.41	13.99	15.58	16.06	17.16	20.32	23.48	26.64
36	3.609	71	7.118	1.972			7.11	9.04	10.33	11.12	11.92	13.51	15.09	15.57	16.68	19.84	23.00	26.16
71	7.118	140	14.036	1.972												11.19	14.47	17.69
38	3.810	75	7.519	1.974			6.59	8.54	9.83	10.62	11.42	13.01	14.60	15.08	16.19	19.36	22.52	25.68
25	2.506	50	5.013	2.000	6.57	8.17	9.76	11.67	12.93	13.72	14.51	16.09	17.67	18.15	19.25	22.40	25.56	28.71
28	2.807	56	5.614	2.000	5.82	7.43	9.03	10.94	12.21	13.00	13.78	15.37	16.95	17.42	18.53	21.69	24.84	28.00
30	3.008	60	6.015	2.000	5.30	6.92	8.53	10.44	11.72	12.51	13.30	14.88	16.46	16.94	18.05	21.21	24.36	27.52
40	4.010	80	8.020	2.000			7.94	9.23	10.04	10.84	11.64	13.22	14.81	15.29	16.39	19.55	22.71	25.87
45	4.511	90	9.023	2.000				7.96	9.25	10.06	10.86	12.44	14.03	14.51	15.62	18.78	21.94	25.10
56	5.614	112	11.229	2.000												11.63	14.85	18.05
37	3.709	75	7.519	2.027			6.66	8.61	9.90	10.70	11.49	13.09	14.68	15.16	16.26	19.43	22.60	25.76
35	3.509	71	7.118	2.029			7.18	9.11	10.40	11.19	11.99	13.58	15.17	15.64	16.75	19.92	23.08	26.24
33	3.308	67	6.717	2.030		6.06	7.69	9.61	10.89	11.69	12.48	14.07	15.65	16.13	17.24	20.40	23.56	26.72
31	3.108	63	6.316	2.032		6.58	8.19	10.11	11.39	12.18	12.97	14.55	16.14	16.62	17.72	20.88	24.04	27.20
26	2.607	53	5.314	2.038	6.23	7.84	9.43	11.34	12.61	13.40	14.18	15.77	17.35	17.82	18.93	22.08	25.24	28.39
22	2.206	45	4.511	2.045	7.23	8.82	10.41	12.31	13.58	14.36	15.15	16.73	18.31	18.78	19.89	23.04	26.19	29.35
39	3.910	80	8.020	2.051			8.00	9.30	10.11	10.91	11.71	13.29	14.87	15.35	16.45	19.60	22.76	25.91
29	2.907	60	6.015	2.069	5.37	6.99	8.60	10.52	11.79	12.58	13.37	14.96	16.54	17.02	18.12	21.28	24.44	27.59
27	2.707	56	5.614	2.074	5.88	7.50	9.10	11.01	12.28	13.07	13.86	15.44	17.02	17.50	18.60	21.76	24.92	28.07
36	3.609	75	7.519	2.083			6.72	8.68	9.97	10.77	11.56	13.16	14.75	15.23	16.34	19.51	22.67	25.83
34	3.409	71	7.118	2.088			7.24	9.18	10.47	11.26	12.06	13.65	15.24	15.72	16.82	19.99	23.15	26.31
67	6.717	140	14.036	2.090												11.46	14.74	17.97
32	3.208	67	6.717	2.094		6.13	7.76	9.69	10.96	11.76	12.55	14.14	15.73	16.20	17.31	20.47	23.63	26.79
30	3.008	63	6.316	2.100		6.65	8.26	10.18	11.46	12.25	13.04	14.63	16.21	16.69	17.80	20.96	24.12	27.27
38	3.810	80	8.020	2.105			8.07	9.37	10.18	10.98	11.78	13.37	14.95	15.43	16.54	19.70	22.86	26.01
53	5.314	112	11.229	2.113									10.20	10.69	11.83	15.06	18.26	21.45
25	2.506	53	5.314	2.120	6.30	7.91	9.50	11.41	12.68	13.47	14.26	15.84	17.42	17.90	19.00	22.16	25.31	28.47
28	2.807	60	6.015	2.143	5.43	7.06	8.67	10.59	11.86	12.65	13.45	15.03	16.61	17.09	18.20	21.36	24.51	27.67
35	3.509	75	7.519	2.143			6.79	8.75	10.04	10.84	11.64	13.23	14.82	15.30	16.41	19.58	22.75	25.91
42	4.211	90	9.023	2.143				8.15	9.45	10.25	11.05	12.63	14.22	14.70	15.81	19.00	22.16	25.31
33	3.308	71	7.118	2.152			7.31	9.25	10.54	11.34	12.13	13.72	15.31	15.79	16.90	20.07	23.23	26.39
26	2.607	56	5.614	2.154	5.95	7.57	9.17	11.08	12.35	13.14	13.93	15.52	17.10	17.57	18.68	21.84	24.99	28.15
31	3.108	67	6.717	2.161		6.19	7.82	9.76	11.04	11.83	12.62	14.21	15.80	16.28	17.38	20.55	23.71	26.87
37	3.709	80	8.020	2.162			8.14	9.44	10.25	11.05	11.85	13.44	15.03	15.51	16.62	19.78	22.94	26.10
29	2.907	63	6.316	2.172		6.71	8.33	10.25	11.53	12.32	13.12	14.70	16.29	16.76	17.87	21.03	24.19	27.35
22	2.206	48	4.812	2.182	6.97	8.56	10.15	12.06	13.32	14.11	14.90	16.48	18.06	18.54	19.64	22.80	25.95	29.10
41	4.110	90	9.023	2.195			6.88	8.22	9.03	9.85	10.65	12.23	13.82	14.30	15.41	18.57	21.72	24.87
34	3.409	75	7.519	2.206			6.86	8.82	10.11	10.91	11.71	13.30	14.90	15.37	16.48	19.65	22.82	25.98
32	3.208	71	7.118	2.219		5.73	7.38	9.32	10.61	11.41	12.20	13.80	15.39	15.86	16.97	20.14	23.30	26.46
27	2.707	60	6.015	2.222	5.50	7.13	8.74	10.66	11.93	12.73	13.52	15.10	16.69	17.17	18.27	21.43	24.59	27.75
36	3.609	80	8.020	2.222			8.21	9.51	10.31	11.12	11.92	13.51	15.10	15.58	16.69	19.85	23.01	26.17
63	6.316	140	14.036	2.222												11.72	15.01	18.25
30	3.008	67	6.717	2.233		6.26	7.89	9.83	11.11	11.90	12.70	14.29	15.87	16.35	17.46	20.62	23.78	26.94
25	2.506	56	5.614	2.240	6.02	7.64	9.24	11.15	12.43	13.22	14.01	15.59	17.17	17.65	18.75	21.91	25.07	28.22
50	5.013	112	11.229	2.240								8.73	10.40	10.88	12.03	15.27	18.48	21.67
28	2.807	63	6.316	2.250	5.13	6.78	8.40	10.33	11.60	12.40	13.19	14.78	16.36	16.84	17.94	21.11	24.27	27.42
40	4.010	90	9.023	2.250			6.95	8.28	9.10	9.92	10.72	12.30	13.88	14.36	15.47	18.63	21.79	24.94
80	8.020	180	18.046	2.250														
22	2.206	50	5.013	2.273	6.78	8.39	9.98	11.89	13.16	13.94	14.73	16.31	17.90	18.37	19.47	22.63	25.79	28.94
33	3.308	75	7.519	2.273			6.92	8.89	10.18	10.98	11.78	13.38	14.97	15.45	16.56	19.73	22.89	26.06
35	3.509	80	8.020	2.286			6.29	8.28	9.58	10.38	11.19	12.79	14.39	14.87	15.98	19.16	22.33	25.49
31	3.108	71	7.118	2.290		5.79	7.45	9.39	10.68	11.48	12.27	13.87	15.46	15.94	17.05	20.21	23.38	26.54
26	2.607	60	6.015	2.308	5.57	7.20	8.81	10.73	12.01	12.80	13.59	15.18	16.76	17.24	18.34	21.51	24.66	27.82
39																		

QT Power Chain® II Carbon Drive Selection

8mm Pre-Engineered Drive Selection Table

Center Distance (in)																	Sprocket Combinations	
8MPC-1792 P.L. 70.55 224 Teeth	8MPC-2000 P.L. 78.74 250 Teeth	8MPC-2200 P.L. 86.61 275 Teeth	8MPC-2240 P.L. 88.19 280 Teeth	8MPC-2400 P.L. 94.49 300 Teeth	8MPC-2520 P.L. 99.21 315 Teeth	8MPC-2600 P.L. 102.36 325 Teeth	8MPC-2800 P.L. 110.24 350 Teeth	8MPC-2840 P.L. 111.81 355 Teeth	8MPC-3048 P.L. 120.00 381 Teeth	8MPC-3200 P.L. 125.98 400 Teeth	8MPC-3280 P.L. 129.13 410 Teeth	8MPC-3600 P.L. 141.73 450 Teeth	8MPC-4000 P.L. 157.48 500 Teeth	8MPC-4400 P.L. 173.23 550 Teeth	8MPC-4480 P.L. 176.38 560 Teeth	Speed Ratio	Drive Combinations	
																	DriveR Number of Grooves	DriveN Number of Grooves
28.87	32.97	36.91	37.70	40.85	43.21	44.78	48.73	49.51	53.61	56.60	58.17	64.47	72.35	80.23	81.80	1.893	28	53
25.60	29.70	33.64	34.44	37.59	39.95	41.53	45.47	46.26	50.36	53.35	54.93	61.23	69.11	76.99	78.56	1.905	42	80
30.22	34.32	38.25	39.04	42.19	44.55	46.13	50.07	50.86	54.95	57.94	59.52	65.82	73.69	81.57	83.14	1.909	22	42
27.68	31.78	35.71	36.51	39.66	42.02	43.60	47.54	48.32	52.42	55.41	56.99	63.29	71.17	79.04	80.62	1.909	33	63
27.20	31.30	35.24	36.03	39.18	41.54	43.12	47.06	47.85	51.94	54.94	56.51	62.81	70.69	78.57	80.14	1.914	35	67
26.72	30.82	34.76	35.55	38.70	41.07	42.64	46.59	47.37	51.47	54.46	56.04	62.34	70.22	78.09	79.67	1.919	37	71
29.50	33.60	37.54	38.33	41.48	43.84	45.42	49.36	50.14	54.24	57.23	58.81	65.11	72.98	80.86	82.43	1.920	25	48
29.27	33.36	37.30	38.09	41.24	43.60	45.18	49.12	49.91	54.00	56.99	58.57	64.87	72.75	80.62	82.20	1.923	26	50
26.24	30.34	34.28	35.07	38.23	40.59	42.17	46.11	46.89	50.99	53.98	55.56	61.86	69.74	77.62	79.19	1.923	39	75
28.55	32.65	36.59	37.38	40.53	42.89	44.47	48.41	49.19	53.29	56.28	57.86	64.16	72.03	79.91	81.49	1.931	29	56
28.07	32.17	36.11	36.90	40.05	42.41	43.99	47.93	48.72	52.81	55.81	57.38	63.68	71.56	79.44	81.01	1.935	31	60
25.67	29.78	33.72	34.51	37.67	40.03	41.61	45.55	46.34	50.44	53.43	55.00	61.31	69.19	77.06	78.64	1.951	41	80
28.95	33.04	36.98	37.77	40.92	43.29	44.86	48.80	49.59	53.68	56.68	58.25	64.55	72.43	80.30	81.88	1.963	27	53
27.75	31.85	35.79	36.58	39.73	42.10	43.67	47.61	48.40	52.50	55.49	57.06	63.37	71.24	79.12	80.69	1.969	32	63
27.27	31.37	35.31	36.10	39.26	41.62	43.20	47.14	47.92	52.02	55.01	56.59	62.89	70.77	78.64	80.22	1.971	34	67
26.79	30.90	34.84	35.63	38.78	41.14	42.72	46.66	47.45	51.55	54.54	56.11	62.42	70.29	78.17	79.75	1.972	36	71
18.33	22.49	26.46	27.26	30.43	32.81	34.39	38.35	39.14	43.25	46.25	47.83	54.14	62.03	69.92	71.49	1.972	71	140
26.31	30.42	34.36	35.15	38.30	40.66	42.24	46.18	46.97	51.07	54.06	55.64	61.94	69.82	77.70	79.27	1.974	38	75
29.34	33.44	37.38	38.17	41.32	43.68	45.26	49.20	49.98	54.08	57.07	58.65	64.95	72.82	80.70	82.28	2.000	25	50
28.63	32.73	36.66	37.45	40.61	42.97	44.54	48.49	49.27	53.37	56.36	57.93	64.24	72.11	79.99	81.56	2.000	28	56
28.15	32.25	36.19	36.98	40.13	42.49	44.07	48.01	48.80	52.89	55.88	57.46	63.76	71.64	79.51	81.09	2.000	30	60
25.75	29.85	33.80	34.59	37.74	40.11	41.68	45.63	46.41	50.51	53.50	55.08	61.38	69.26	77.14	78.72	2.000	40	80
24.54	28.65	32.60	33.39	36.55	38.91	40.49	44.43	45.22	49.32	52.31	53.89	60.19	68.07	75.95	77.53	2.000	45	90
21.87	25.99	29.94	30.74	33.90	36.27	37.85	41.80	42.58	46.69	49.68	51.26	57.57	65.45	73.33	74.91	2.000	56	112
26.39	30.49	34.43	35.23	38.38	40.74	42.32	46.26	47.05	51.15	54.14	55.71	62.02	69.90	77.77	79.35	2.027	37	75
26.87	30.97	34.91	35.70	38.86	41.22	42.80	46.74	47.52	51.62	54.61	56.19	62.49	70.37	78.25	79.82	2.029	35	71
27.35	31.45	35.39	36.18	39.33	41.70	43.27	47.22	48.00	52.10	55.09	56.67	62.97	70.85	78.72	80.30	2.030	33	67
27.83	31.93	35.87	36.66	39.81	42.17	43.75	47.69	48.48	52.57	55.57	57.14	63.44	71.32	79.20	80.77	2.032	31	63
29.02	33.12	37.06	37.85	41.00	43.36	44.94	48.88	49.67	53.76	56.75	58.33	64.63	72.51	80.38	81.96	2.038	26	53
29.98	34.07	38.01	38.80	41.95	44.31	45.89	49.83	50.62	54.71	57.70	59.28	65.58	73.46	81.33	82.91	2.045	22	45
25.82	29.93	33.87	34.66	37.82	40.18	41.76	45.70	46.49	50.59	53.58	55.16	61.46	69.34	77.22	78.79	2.051	39	80
28.22	32.33	36.26	37.06	40.21	42.57	44.15	48.09	48.87	52.97	55.96	57.54	63.84	71.72	79.59	81.17	2.069	29	60
28.70	32.80	36.74	37.53	40.68	43.05	44.62	48.56	49.35	53.44	56.44	58.01	64.31	72.19	80.07	81.64	2.074	27	56
26.46	30.57	34.51	35.30	38.46	40.82	42.40	46.34	47.12	51.22	54.21	55.79	62.09	69.97	77.85	79.43	2.083	36	75
26.94	31.05	34.99	35.78	38.93	41.30	42.87	46.82	47.60	51.70	54.69	56.27	62.57	70.45	78.33	79.90	2.088	34	71
18.61	22.78	26.75	27.55	30.73	33.10	34.69	38.65	39.44	43.55	46.55	48.13	54.44	62.33	70.22	71.80	2.090	67	140
27.42	31.53	35.47	36.26	39.41	41.77	43.35	47.29	48.08	52.18	55.17	56.74	63.05	70.92	78.80	80.38	2.094	32	67
27.90	32.00	35.94	36.73	39.89	42.25	43.83	47.77	48.55	52.65	55.64	57.22	63.52	71.40	79.27	80.85	2.100	30	63
25.90	30.00	33.95	34.74	37.90	40.26	41.84	45.78	46.57	50.67	53.66	55.23	61.54	69.42	77.30	78.87	2.105	38	80
22.08	26.21	30.17	30.96	34.12	36.49	38.07	42.02	42.81	46.91	49.91	51.49	57.80	65.68	73.56	75.14	2.113	53	112
29.10	33.20	37.14	37.93	41.08	43.44	45.02	48.96	49.74	53.84	56.83	58.41	64.71	72.58	80.46	82.04	2.120	25	53
28.30	32.40	36.34	37.13	40.28	42.65	44.22	48.16	48.95	53.05	56.04	57.61	63.92	71.79	79.67	81.25	2.143	28	60
26.54	30.64	34.59	35.38	38.53	40.89	42.47	46.42	47.20	51.30	54.29	55.87	62.17	70.05	77.93	79.50	2.143	35	75
24.76	28.88	32.82	33.61	36.77	39.14	40.71	44.66	45.45	49.55	52.54	54.12	60.42	68.30	76.18	77.76	2.143	42	90
27.02	31.12	35.06	35.86	39.01	41.37	42.95	46.89	47.68	51.78	54.77	56.34	62.65	70.53	78.40	79.98	2.152	33	71
28.78	32.88	36.82	37.61	40.76	43.12	44.70	48.64	49.43	53.52	56.51	58.09	64.39	72.27	80.14	81.72	2.154	26	56
27.50	31.60	35.54	36.33	39.49	41.85	43.43	47.37	48.15	52.25	55.24	56.82	63.12	71.00	78.88	80.45	2.161	31	67
25.97	30.08	34.02	34.82	37.97	40.34	41.91	45.86	46.64	50.74	53.73	55.31	61.62	69.49	77.37	78.95	2.162	37	80
27.98	32.08	36.02	36.81	39.96	42.33	43.90	47.85	48.63	52.73	55.72	57.30	63.60	71.48	79.35	80.93	2.172	29	63
29.73	33.83	37.77	38.56	41.71	44.07	45.65	49.59	50.38	54.47	57.46	59.04	65.34	73.22	81.09	82.67	2.182	22	48
24.84	28.95	32.90	33.69	36.85	39.21	40.79	44.74	45.52	49.62	52.62	54.19	60.50	68.38	76.26	77.84	2.195	41	90
26.81	30.72	34.66	35.45	38.61	40.97	42.55	46.49	47.28	51.38	54.37	55.94	62.25	70.13	78.01	79.58	2.206	34	75
27.09	31.20	35.14	35.93	39.09	41.45	43.03	46.97	47.75	51.85	54.85	56.42	62.72	70.60	78.48	80.06	2.219	32	71
28.38	32.48	36.42	37.21	40.36	42.72	44.30	48.24	49.03	53.12	56.12	57.69	63.99	71.87	79.75	81.32	2.222	27	60
26.05	30.16	34.10	34.89	38.05	40.41	41.99	45.93	46.72	50.82	53.81	55.39	61.69	69.57	77.45	79.03	2.222	36	80
18.89	23.06	27.04	27.84	31.02	33.40	34.98	38.94	39.73	43.85	46.85	48.43	54.74	62.64	70.52	72.10	2.222	63	140
27.57	31.68	35.62	36.41	39.56	41.93	43.50	47.45	48.23	52.33	55.32	56.90	63.20	71.08	78.96	80.53	2.233	30	67
28.86	32.96	36.89	37.69	40.84	43.20	44.78	48.72	49.50	53.60	56.59	58.17	64.47	72.35	80.22	81.80	2.240	25	56
22.30	26.43	30.39	31.18	34.35	36.72	38.30	42.25	43.04	47.14	50.14	51.72	58.03	65.91	73.79	75.37	2.240	50	112
28.05	32.16	36.10	36.89	40.04	42.40	43.98	47.92	48.71	52.81	55.80	57.37	63.68	71.55	79.43	81.01	2.250	28	63
24.91	29.03	32.97	33.77	36.92	39.29	40.87	44.81	45.60	49.70	52.69	54.27	60.58	68.46	76.34	77.91	2.250	40	90
13.89	18.20	22.27	23.08	26.29														

QT Power Chain® II Carbon Drive Selection

8mm Pre-Engineered Drive Selection Table

Sprocket Combinations				Speed Ratio	Center Distance (in)													
DriveR		DriveN			8MPCC-640 P.L. 25.20 80 Teeth	8MPCC-720 P.L. 28.35 90 Teeth	8MPCC-800 P.L. 31.50 100 Teeth	8MPCC-896 P.L. 35.28 112 Teeth	8MPCC-960 P.L. 37.80 120 Teeth	8MPCC-1000 P.L. 39.37 125 Teeth	8MPCC-1040 P.L. 40.94 130 Teeth	8MPCC-1120 P.L. 44.09 140 Teeth	8MPCC-1200 P.L. 47.24 150 Teeth	8MPCC-1224 P.L. 48.19 153 Teeth	8MPCC-1260 P.L. 50.39 160 Teeth	8MPCC-1440 P.L. 56.69 180 Teeth	8MPCC-1600 P.L. 62.99 200 Teeth	8MPCC-1760 P.L. 69.29 220 Teeth
Number of Grooves	Pitch Diameter (inches)	Number of Grooves	Pitch Diameter (inches)															
25	2.506	60	6.015	2.400	5.63	7.27	8.88	10.80	12.08	12.87	13.66	15.25	16.84	17.31	18.42	21.58	24.74	27.90
75	7.519	180	18.046	2.400														13.53
22	2.206	53	5.314	2.409	6.51	8.12	9.72	11.63	12.90	13.69	14.48	16.06	17.65	18.12	19.23	22.38	25.54	28.70
31	3.108	75	7.519	2.419			7.06	9.02	10.32	11.12	11.92	13.52	15.11	15.59	16.70	19.88	23.04	26.21
26	2.607	63	6.316	2.423	5.26	6.92	8.54	10.47	11.75	12.54	13.33	14.92	16.51	16.99	18.09	21.26	24.42	27.57
33	3.308	80	8.020	2.424			6.42	8.41	9.72	10.52	11.33	12.93	14.53	15.01	16.13	19.30	22.47	25.64
37	3.709	90	9.023	2.432			7.14	9.13	10.44	11.24	12.04	13.64	15.24	15.72	16.84	20.01	23.18	26.35
29	2.907	71	7.118	2.448		5.92	7.58	9.53	10.82	11.62	12.42	14.01	15.60	16.08	17.19	20.36	23.53	26.69
27	2.707	67	6.717	2.481		6.46	8.10	10.04	11.32	12.12	12.91	14.50	16.09	16.57	17.68	20.85	24.01	27.17
45	4.511	112	11.229	2.489								9.05	10.73	11.23	12.37	15.62	18.83	22.03
30	3.008	75	7.519	2.500			7.12	9.09	10.39	11.19	11.99	13.59	15.18	15.66	16.78	19.95	23.12	26.28
32	3.208	80	8.020	2.500			6.48	8.48	9.78	10.59	11.40	13.00	14.60	15.08	16.20	19.38	22.55	25.71
36	3.609	90	9.023	2.500				7.20	8.55	9.37	10.19	11.81	13.43	13.91	15.03	18.22	21.40	24.57
56	5.614	140	14.036	2.500											12.18	15.49	18.74	
25	2.506	63	6.316	2.520	5.33	6.98	8.61	10.54	11.82	12.61	13.41	15.00	16.58	17.06	18.17	21.33	24.49	27.65
71	7.118	180	18.046	2.535														13.78
28	2.807	71	7.118	2.536		5.99	7.65	9.60	10.89	11.69	12.49	14.08	15.68	16.16	17.27	20.44	23.60	26.76
22	2.206	56	5.614	2.545	6.22	7.85	9.45	11.37	12.64	13.43	14.23	15.81	17.39	17.87	18.98	22.14	25.30	28.45
35	3.509	90	9.023	2.571			7.27	9.27	10.57	11.37	12.17	13.77	15.37	15.85	16.96	20.13	23.29	26.45
26	2.607	67	6.717	2.577		6.53	8.17	10.11	11.39	12.19	12.98	14.58	16.17	16.64	17.75	20.92	24.08	27.24
31	3.108	80	8.020	2.581			6.54	8.54	9.85	10.66	11.47	13.07	14.67	15.16	16.27	19.45	22.62	25.79
29	2.907	75	7.519	2.586			7.19	9.16	10.46	11.26	12.06	13.66	15.26	15.74	16.85	20.02	23.19	26.36
27	2.707	71	7.118	2.630		6.05	7.72	9.67	10.96	11.76	12.56	14.16	15.75	16.23	17.34	20.51	23.68	26.84
53	5.314	140	14.036	2.642											12.37	15.69	18.94	
34	3.409	90	9.023	2.647				7.33	8.68	9.50	10.32	11.95	13.56	14.05	15.17	18.37	21.55	24.72
30	3.008	80	8.020	2.667			6.61	8.61	9.92	10.73	11.54	13.14	14.75	15.23	16.34	19.52	22.70	25.86
42	4.211	112	11.229	2.667								9.24	10.92	11.43	12.58	15.83	19.04	22.24
28	2.807	75	7.519	2.679			7.25	9.23	10.53	11.33	12.13	13.73	15.33	15.81	16.92	20.10	23.27	26.43
25	2.506	67	6.717	2.680		6.59	8.24	10.18	11.46	12.26	13.06	14.65	16.24	16.72	17.83	21.00	24.16	27.32
67	6.717	180	18.046	2.687														14.04
22	2.206	60	6.015	2.727	5.83	7.47	9.09	11.02	12.30	13.09	13.88	15.47	17.06	17.53	18.64	21.81	24.97	28.12
33	3.308	90	9.023	2.727			7.40	9.40	10.70	11.50	12.30	13.90	15.50	15.98	17.09	20.26	23.42	26.58
26	2.607	71	7.118	2.731		6.12	7.78	9.74	11.03	11.83	12.63	14.23	15.82	16.30	17.41	20.58	23.75	26.91
41	4.110	112	11.229	2.732								9.31	10.99	11.49	12.64	15.90	19.12	22.31
29	2.907	80	8.020	2.759			6.67	8.68	9.99	10.80	11.61	13.21	14.82	15.30	16.41	19.60	22.77	25.94
27	2.707	75	7.519	2.778		5.62	7.32	9.30	10.59	11.40	12.20	13.80	15.40	15.88	16.99	20.17	23.34	26.50
40	4.010	112	11.229	2.800								9.37	11.06	11.56	12.71	15.97	19.19	22.38
50	5.013	140	14.036	2.800											12.56	15.89	19.15	
80	8.020	224	22.457	2.800														
32	3.208	90	9.023	2.813				7.46	8.81	9.64	10.46	12.09	13.70	14.19	15.31	18.51	21.69	24.87
25	2.506	71	7.118	2.840		6.18	7.85	9.81	11.10	11.90	12.70	14.30	15.89	16.37	17.48	20.66	23.82	26.99
28	2.807	80	8.020	2.857			6.74	8.75	10.06	10.87	11.67	13.28	14.89	15.37	16.49	19.67	22.84	26.01
63	6.316	180	18.046	2.857														14.29
22	2.206	63	6.316	2.864	5.52	7.19	8.82	10.75	12.03	12.83	13.62	15.21	16.80	17.28	18.39	21.55	24.72	27.88
39	3.910	112	11.229	2.872								9.44	11.12	11.62	12.78	16.04	19.26	22.46
26	2.607	75	7.519	2.885		5.68	7.38	9.36	10.66	11.47	12.27	13.87	15.47	15.95	17.07	20.24	23.41	26.58
31	3.108	90	9.023	2.903			7.52	9.52	10.82	11.63	12.43	14.03	15.63	16.11	17.22	20.39	23.56	26.75
48	4.812	140	14.036	2.917								9.70	11.30	11.80	12.91	16.08	19.25	22.42
38	3.810	112	11.229	2.947								9.50	11.10	11.60	12.71	15.88	19.05	22.22
27	2.707	80	8.020	2.963			6.80	8.81	10.12	10.94	11.74	13.35	14.96	15.44	16.56	19.74	22.92	26.08
75	7.519	224	22.457	2.987														
25	2.506	75	7.519	3.000		5.75	7.45	9.43	10.73	11.54	12.34	13.95	15.54	16.02	17.14	20.32	23.49	26.65
30	3.008	90	9.023	3.000			7.59	9.59	10.89	11.70	12.50	14.10	15.70	16.18	17.29	20.46	23.63	26.79
60	6.015	180	18.046	3.000														14.48
37	3.709	112	11.229	3.027								7.81	9.56	10.06	11.17	14.34	17.51	20.68
22	2.206	67	6.717	3.045	5.08	6.79	8.44	10.39	11.67	12.47	13.27	14.87	16.46	16.94	18.05	21.22	24.38	27.54
26	2.607	80	8.020	3.077			6.86	8.88	10.19	11.00	11.81	13.42	15.03	15.51	16.63	19.81	22.99	26.16
29	2.907	90	9.023	3.103				7.65	9.67	10.48	11.29	12.89	14.49	14.97	16.09	19.27	22.44	25.61
36	3.609	112	11.229	3.111								7.88	9.63	10.13	11.24	14.41	17.58	20.75
45	4.511	140	14.036	3.111											12.98	16.24	19.47	22.67
71	7.118	224	22.457	3.155											12.89	16.22	19.49	
25	2.506	80	8.020	3.200			6.93	8.94	10.26	11.07	11.88	13.50	15.10	15.58	16.70	19.89	23.06	26.23
35	3.509	112	11.229	3.200								7.94	9.69	10.19	11.30	14.47	17.64	20.81
28	2.807	90	9.023	3.214				7.71	9.72	10.53	11.34	12.94	14.54	15.02	16.14	19.33	22.50	25.67
56	5.614	180	18.046	3.214														14.73
22	2.206	71	7.118	3.227		6.37	8.05	10.01	11.31	12.11	12.91	14.51	16.11	16.59	17.70	20.88	24.05	27.21
34	3.409	112	11.229	3.294								8.00	9.75	10.25	11.36	14.53	17.70	20.87
27	2.707	90	9.023	3.333				7.78	9.79	10.60	11.41	13.01	14.61	15.09	16.20	19.39	22.56	25.73
42	4.211	140	14.036	3.333											9.57	13.08	16.42	19.70
67	6.717	224	22.457	3.343														
33	3.308	112	11.229	3.394								8.06	9.82	10.32	11.43	14.61	17.78	20.95
53	5.314	180	18.046	3.396														14.92
22	2.206	75	7.519	3.409		5.93	7.65	9.63	10.94	11.75	12.55	14.16	15.76	16.24	17.35	20.53	23.71	26.88
41	4.110																	

QT Power Chain® II Carbon Drive Selection

8mm Pre-Engineered Drive Selection Table

Center Distance (in)																Speed Ratio	Sprocket Combinations	
8MPC-1792 P.L. 70.55 224 Teeth	8MPC-2000 P.L. 78.74 250 Teeth	8MPC-2200 P.L. 86.61 275 Teeth	8MPC-2240 P.L. 88.19 280 Teeth	8MPC-2400 P.L. 94.49 300 Teeth	8MPC-2520 P.L. 99.21 315 Teeth	8MPC-2600 P.L. 102.36 325 Teeth	8MPC-2800 P.L. 110.24 350 Teeth	8MPC-2840 P.L. 111.81 355 Teeth	8MPC-3048 P.L. 120.00 381 Teeth	8MPC-3200 P.L. 125.98 400 Teeth	8MPC-3280 P.L. 129.13 410 Teeth	8MPC-3600 P.L. 141.73 450 Teeth	8MPC-4000 P.L. 157.48 500 Teeth	8MPC-4400 P.L. 173.23 550 Teeth	8MPC-4480 P.L. 176.38 560 Teeth		DriveR	DriveN
																	Number of Grooves	Number of Grooves
28.53	32.63	36.57	37.36	40.51	42.88	44.45	48.40	49.18	53.28	56.27	57.85	64.15	72.03	79.90	81.48	2.400	25	60
14.21	18.54	22.61	23.42	26.64	29.05	30.65	34.64	35.43	39.57	42.59	44.17	50.51	58.42	66.33	67.91	2.400	75	180
29.33	33.43	37.37	38.16	41.31	43.67	45.25	49.19	49.97	54.07	57.06	58.64	64.94	72.82	80.69	82.27	2.409	22	53
26.84	30.94	34.89	35.68	38.84	41.20	42.78	46.72	47.51	51.61	54.60	56.18	62.48	70.36	78.24	79.81	2.419	31	75
28.21	32.31	36.25	37.04	40.19	42.56	44.13	48.08	48.86	52.96	55.95	57.53	63.83	71.71	79.59	81.16	2.423	26	63
26.27	30.38	34.33	35.12	38.28	40.64	42.22	46.16	46.95	51.05	54.04	55.62	61.92	69.80	77.68	79.26	2.424	33	80
25.13	29.25	33.20	33.99	37.15	39.52	41.09	45.04	45.83	49.93	52.92	54.50	60.81	68.69	76.57	78.15	2.432	37	90
27.32	31.43	35.37	36.16	39.32	41.68	43.26	47.20	47.99	52.08	55.08	56.65	62.96	70.84	78.71	80.29	2.448	29	71
27.80	31.91	35.85	36.64	39.79	42.16	43.73	47.68	48.46	52.56	55.55	57.13	63.43	71.31	79.19	80.76	2.481	27	67
22.66	26.80	30.76	31.55	34.72	37.09	38.67	42.63	43.41	47.52	50.52	52.09	58.41	66.29	74.18	75.75	2.489	45	112
26.91	31.02	34.96	35.76	38.91	41.28	42.85	46.80	47.58	51.68	54.68	56.25	62.56	70.44	78.31	79.89	2.500	30	75
26.35	30.46	34.40	35.19	38.35	40.72	42.29	46.24	47.02	51.12	54.12	55.69	62.00	69.88	77.76	79.34	2.500	32	80
25.21	29.32	33.27	34.07	37.23	39.59	41.17	45.12	45.90	50.01	53.00	54.58	60.88	68.77	76.65	78.22	2.500	36	90
19.38	23.56	27.55	28.35	31.53	33.91	35.50	39.46	40.25	44.37	47.37	48.95	55.27	63.17	71.06	72.63	2.500	56	140
28.28	32.39	36.33	37.12	40.27	42.63	44.21	48.15	48.94	53.04	56.03	57.60	63.91	71.79	79.66	81.24	2.520	25	63
14.47	18.81	22.89	23.70	26.92	29.33	30.93	34.93	35.72	39.86	42.88	44.47	50.81	58.72	66.63	68.21	2.535	71	180
27.40	31.50	35.44	36.24	39.39	41.75	43.33	47.28	48.06	52.16	55.15	56.73	63.03	70.91	78.79	80.37	2.536	28	71
29.08	33.18	37.12	37.91	41.07	43.43	45.01	48.95	49.73	53.83	56.82	58.40	64.70	72.58	80.46	82.03	2.545	22	56
25.28	29.40	33.35	34.14	37.30	39.67	41.25	45.19	45.98	50.08	53.08	54.65	60.96	68.84	76.72	78.30	2.571	35	90
27.88	31.98	35.92	36.71	39.87	42.23	43.81	47.75	48.54	52.64	55.63	57.21	63.51	71.39	79.27	80.84	2.577	26	67
26.42	30.53	34.48	35.27	38.43	40.79	42.37	46.31	47.10	51.20	54.19	55.77	62.08	69.96	77.84	79.41	2.581	31	80
26.99	31.10	35.04	35.83	38.99	41.35	42.93	46.87	47.66	51.76	54.75	56.33	62.63	70.51	78.39	79.97	2.586	29	75
27.47	31.58	35.52	36.31	39.47	41.83	43.41	47.35	48.14	52.24	55.23	56.81	63.11	70.99	78.87	80.44	2.630	27	71
19.59	23.77	27.76	28.56	31.75	34.13	35.72	39.68	40.47	44.59	47.59	49.17	55.50	63.39	71.28	72.86	2.642	53	140
25.36	29.47	33.42	34.22	37.38	39.74	41.32	45.27	46.06	50.16	53.15	54.73	61.04	68.92	76.80	78.38	2.647	34	90
26.50	30.61	34.55	35.34	38.50	40.87	42.44	46.39	47.18	51.28	54.27	55.85	62.15	70.03	77.91	79.49	2.667	30	80
22.88	27.02	30.98	31.77	34.94	37.31	38.90	42.85	43.64	47.74	50.74	52.32	58.63	66.52	74.41	75.98	2.667	42	112
27.06	31.17	35.12	35.91	39.06	41.43	43.01	46.95	47.74	51.84	54.83	56.41	62.71	70.59	78.47	80.05	2.679	28	75
27.95	32.06	36.00	36.79	39.95	42.31	43.89	47.83	48.62	52.71	55.71	57.28	63.59	71.47	79.34	80.92	2.680	25	67
14.72	19.07	23.16	23.97	27.20	29.61	31.22	35.21	36.01	40.15	43.17	44.76	51.10	59.02	66.93	68.51	2.687	67	180
28.76	32.86	36.80	37.59	40.74	43.11	44.68	48.63	49.41	53.51	56.50	58.08	64.38	72.26	80.14	81.71	2.727	22	60
25.43	29.55	33.50	34.29	37.45	39.82	41.40	45.35	46.13	50.23	53.23	54.81	61.11	69.00	76.88	78.45	2.727	33	90
27.54	31.65	35.60	36.39	39.54	41.91	43.48	47.43	48.21	52.31	55.31	56.88	63.19	71.07	78.94	80.52	2.731	26	71
22.95	27.09	31.05	31.85	35.02	37.39	38.97	42.93	43.71	47.82	50.82	52.40	58.71	66.60	74.48	76.06	2.732	41	112
26.57	30.68	34.63	35.42	38.58	40.94	42.52	46.47	47.25	51.35	54.35	55.92	62.23	70.11	77.99	79.57	2.759	29	80
27.14	31.25	35.19	35.98	39.14	41.50	43.08	47.03	47.81	51.91	54.91	56.48	62.79	70.67	78.55	80.12	2.778	27	75
23.02	27.16	31.13	31.92	35.09	37.46	39.04	43.00	43.79	47.90	50.89	52.47	58.79	66.67	74.56	76.14	2.800	40	112
19.80	23.98	27.98	28.78	31.97	34.35	35.94	39.90	40.69	44.81	47.82	49.40	55.72	63.62	71.51	73.09	2.800	50	140
		17.89	18.75	22.12	24.60	26.24	30.32	31.13	35.32	38.37	39.97	46.37	54.32	62.26	63.84	2.800	80	224
25.50	29.62	33.57	34.37	37.53	39.89	41.47	45.42	46.21	50.31	53.30	54.88	61.19	69.07	76.95	78.53	2.813	32	90
27.62	31.73	35.67	36.46	39.62	41.98	43.56	47.51	48.29	52.39	55.38	56.96	63.26	71.14	79.02	80.60	2.840	25	71
26.64	30.76	34.70	35.50	38.65	41.02	42.60	46.54	47.33	51.43	54.42	56.00	62.31	70.19	78.07	79.64	2.857	28	80
14.98	19.34	23.43	24.25	27.48	29.89	31.50	35.50	36.30	40.44	43.46	45.05	51.40	59.32	67.23	68.81	2.857	63	180
28.51	32.61	36.55	37.35	40.50	42.86	44.44	48.38	49.17	53.27	56.26	57.84	64.14	72.02	79.90	81.47	2.864	22	63
23.09	27.23	31.20	32.00	35.16	37.54	39.12	43.07	43.86	47.97	50.97	52.55	58.86	66.75	74.64	76.21	2.872	39	112
27.21	31.32	35.27	36.06	39.22	41.58	43.16	47.10	47.89	51.99	54.98	56.56	62.86	70.74	78.62	80.20	2.885	26	75
25.58	29.69	33.65	34.44	37.60	39.97	41.55	45.50	46.28	50.39	53.38	54.96	61.27	69.15	77.03	78.61	2.903	31	90
19.94	24.12	28.12	28.92	32.11	34.49	36.08	40.05	40.84	44.96	47.96	49.55	55.87	63.77	71.66	73.24	2.917	48	140
23.17	27.31	31.27	32.07	35.24	37.61	39.19	43.15	43.94	48.05	51.04	52.62	58.94	66.83	74.71	76.29	2.947	38	112
26.72	30.83	34.78	35.57	38.73	41.09	42.67	46.62	47.41	51.51	54.50	56.08	62.38	70.26	78.14	79.72	2.963	27	80
		18.21	19.07	22.45	24.93	26.58	30.66	31.47	35.67	38.72	40.33	46.72	54.69	62.63	64.21	2.987	75	224
27.29	31.40	35.34	36.13	39.29	41.66	43.23	47.17	47.97	52.07	55.06	56.64	62.94	70.82	78.70	80.28	3.000	25	75
25.65	29.77	33.72	34.51	37.68	40.04	41.62	45.57	46.36	50.46	53.46	55.03	61.34	69.23	77.11	78.68	3.000	30	90
15.17	19.54	23.64	24.45	27.69	30.10	31.71	35.71	36.51	40.66	43.68	45.27	51.62	59.54	67.45	69.03	3.000	60	180
23.24	27.38	31.35	32.14	35.31	37.68	39.27	43.22	44.01	48.12	51.12	52.70	59.01	66.90	74.79	76.37	3.027	37	112
28.18	32.28	36.23	37.02	40.17	42.54	44.11	48.06	48.84	52.94	55.94	57.51	63.82	71.70	79.57	81.15	3.045	22	67
26.79	30.90	34.85	35.65	38.80	41.17	42.75	46.70	47.48	51.58	54.58	56.15	62.46	70.34	78.22	79.80	3.077	26	80
25.72	29.84	33.80	34.59	37.75	40.12	41.70	45.65	46.43	50.54	53.53	55.11	61.42	69.30	77.18	78.76	3.103	29	90
23.31	27.45	31.42	32.22	35.39	37.76	39.34	43.30	44.09	48.20	51.19	52.77	59.09	66.98	74.86	76.44	3.111	36	112
20.14	24.34	28.34	29.14	32.33	34.71	36.30	40.27	41.06	45.18	48.19	49.77	56.10	64.00	71.89	73.47	3.111	45	140
		18.46	19.32	22.71	25.20	26.85	30.94	31.75	35.95	39.01	40.61	47.01	54.98	62.92	64.51	3.155	71	224
26.87	30.98	34.93	35.72	38.88	41.25	42.82	46.7											

QT Power Chain® II Carbon Drive Selection

8mm Pre-Engineered Drive Selection Table

Sprocket Combinations				Speed Ratio	Center Distance (in)													
DriveR		DriveN			8MPCC-640 P.L. 25.20 80 Teeth	8MPCC-720 P.L. 28.35 90 Teeth	8MPCC-800 P.L. 31.50 100 Teeth	8MPCC-896 P.L. 35.28 112 Teeth	8MPCC-960 P.L. 37.80 120 Teeth	8MPCC-1000 P.L. 39.37 125 Teeth	8MPCC-1040 P.L. 40.94 130 Teeth	8MPCC-1120 P.L. 44.09 140 Teeth	8MPCC-1200 P.L. 47.24 150 Teeth	8MPCC-1224 P.L. 48.19 153 Teeth	8MPCC-1280 P.L. 50.39 160 Teeth	8MPCC-1440 P.L. 56.69 180 Teeth	8MPCC-1600 P.L. 62.99 200 Teeth	8MPCC-1760 P.L. 69.29 220 Teeth
Number of Grooves	Pitch Diameter (inches)	Number of Grooves	Pitch Diameter (inches)															
63	6.316	224	22.457	3.556														
39	3.910	140	14.036	3.590														
25	2.506	90	9.023	3.600			7.90	9.27	10.10	10.93	12.57	14.19	14.68	9.75	13.27	16.62	19.90	25.38
50	5.013	180	18.046	3.600												22.20	25.38	15.11
31	3.108	112	11.229	3.613														
22	2.206	80	8.020	3.636			7.12	9.14	10.46	11.28	8.18	9.94	11.64	12.15	13.31	16.59	19.82	23.03
38	3.810	140	14.036	3.684							12.09	13.70	15.31	15.80	16.91	20.10	23.28	26.45
30	3.008	112	11.229	3.733							8.24	10.01	11.71	12.21	13.38	16.65	19.89	23.10
60	6.015	224	22.457	3.733														15.23
48	4.812	180	18.046	3.750														20.04
37	3.709	140	14.036	3.784											9.87	13.40	16.76	20.04
29	2.907	112	11.229	3.862					7.37	8.30	10.07	11.77	12.28	13.44	16.72	19.96	23.17	23.17
36	3.609	140	14.036	3.889											9.93	13.46	16.82	20.11
28	2.807	112	11.229	4.000					7.43	8.36	10.13	11.84	12.35	13.51	16.79	20.03	23.24	23.24
35	3.509	140	14.036	4.000											9.99	13.53	16.89	20.17
45	4.511	180	18.046	4.000													11.77	15.42
56	5.614	224	22.457	4.000														
22	2.206	90	9.023	4.091			5.92	8.09	9.46	10.30	11.12	12.77	14.40	14.88	16.01	19.22	22.42	25.60
34	3.409	140	14.036	4.118											10.05	13.59	16.95	20.24
27	2.707	112	11.229	4.148					7.49	8.42	10.20	11.90	12.41	13.58	16.86	20.10	23.31	23.31
53	5.314	224	22.457	4.226														
33	3.308	140	14.036	4.242											10.11	13.66	17.02	20.31
42	4.211	180	18.046	4.286											11.95	15.60	19.09	15.60
26	2.607	112	11.229	4.308					7.55	8.48	10.26	11.97	12.48	13.64	16.93	20.17	23.38	23.38
32	3.208	140	14.036	4.375											10.17	13.72	17.09	20.38
41	4.110	180	18.046	4.390											13.72	17.09	20.38	20.38
25	2.506	112	11.229	4.480					7.61	8.54	10.32	12.03	12.54	13.71	16.99	20.24	23.45	23.45
50	5.013	224	22.457	4.480														
40	4.010	180	18.046	4.500													12.07	15.73
31	3.108	140	14.036	4.516										8.89	10.23	13.78	17.15	20.45
39	3.910	180	18.046	4.615											12.13	15.79	19.09	15.79
30	3.008	140	14.036	4.667										8.95	10.29	13.85	17.22	20.51
48	4.812	224	22.457	4.667														
38	3.810	180	18.046	4.737													12.18	15.85
29	2.907	140	14.036	4.828										9.01	10.35	13.91	17.28	20.58
37	3.709	180	18.046	4.865											12.24	15.92	19.09	15.92
45	4.511	224	22.457	4.978														
28	2.807	140	14.036	5.000										9.06	10.41	13.97	17.35	20.65
36	3.609	180	18.046	5.000											12.30	15.98	19.09	15.98
22	2.206	112	11.229	5.091					7.78	8.72	10.51	12.23	12.74	13.90	17.20	20.44	23.66	23.66
35	3.509	180	18.046	5.143													12.36	16.04
27	2.707	140	14.036	5.185										9.12	10.47	14.04	17.42	20.72
34	3.409	180	18.046	5.294											12.42	16.10	19.09	16.10
42	4.211	224	22.457	5.333														
26	2.607	140	14.036	5.385										9.18	10.53	14.10	17.48	20.78
33	3.308	180	18.046	5.455													12.48	16.16
41	4.110	224	22.457	5.463														
25	2.506	140	14.036	5.600								8.61	9.24	10.59	14.16	17.55	20.85	20.85
40	4.010	224	22.457	5.600														
32	3.208	180	18.046	5.625													12.53	16.22
39	3.910	224	22.457	5.744														
31	3.108	180	18.046	5.806													12.59	16.29
38	3.810	224	22.457	5.895														
30	3.008	180	18.046	6.000													12.65	16.35
37	3.709	224	22.457	6.054														
29	2.907	180	18.046	6.207													12.71	16.41
36	3.609	224	22.457	6.222														
22	2.206	140	14.036	6.364								8.78	9.41	10.77	14.35	17.74	21.05	21.05
35	3.509	224	22.457	6.400														
28	2.807	180	18.046	6.429													12.77	16.47
34	3.409	224	22.457	6.588														
27	2.707	180	18.046	6.667													12.83	16.53
33	3.308	224	22.457	6.788														
26	2.607	180	18.046	6.923													12.88	16.59
32	3.208	224	22.457	7.000														
25	2.506	180	18.046	7.200													12.94	16.66
31	3.108	224	22.457	7.226														
30	3.008	224	22.457	7.467														
29	2.907	224	22.457	7.724														
28	2.807	224	22.457	8.000														
22	2.206	180	18.046	8.182													13.12	16.84
27	2.707	224	22.457	8.296														
26	2.607	224	22.457	8.615														
25	2.506	224	22.457	8.960														
22	2.206	224	22.457	10.182														
Length Factor*					0.79	0.83	0.87	0.91	0.94	0.96	0.97	1.00	1.03	1.03	1.05	1.10	1.14	1.17

* This length factor must be used to determine the proper belt width.

Center distance is greater than eight times the small sprocket and the large sprocket is not flanged. See Engineering Section for details.

QT Power Chain® II Carbon Drive Selection

8mm Pre-Engineered Drive Selection Table

Center Distance (in)																Sprocket Combinations		
8MPC-1792 P.L. 70.55 224 Teeth	8MPC-2000 P.L. 78.74 250 Teeth	8MPC-2200 P.L. 86.61 275 Teeth	8MPC-2240 P.L. 88.19 280 Teeth	8MPC-2400 P.L. 94.49 300 Teeth	8MPC-2520 P.L. 99.21 315 Teeth	8MPC-2600 P.L. 102.36 325 Teeth	8MPC-2800 P.L. 110.24 350 Teeth	8MPC-2840 P.L. 111.81 355 Teeth	8MPC-3048 P.L. 120.00 381 Teeth	8MPC-3200 P.L. 125.98 400 Teeth	8MPC-3280 P.L. 129.13 410 Teeth	8MPC-3600 P.L. 141.73 450 Teeth	8MPC-4000 P.L. 157.48 500 Teeth	8MPC-4400 P.L. 173.23 550 Teeth	8MPC-4480 P.L. 176.38 560 Teeth	Speed Ratio	Sprocket Combinations	
																	DriveR Number of Grooves	DriveN Number of Grooves
		18.96	19.83	23.23	25.73	27.38	31.48	32.29	36.51	39.57	41.17	47.58	55.55	63.50	65.09	3.556	63	224
20.55	24.76	28.76	29.57	32.76	35.14	36.74	40.71	41.50	45.62	48.63	50.21	56.54	64.45	72.34	73.92	3.590	39	140
26.02	30.14	34.09	34.89	38.05	40.42	42.00	45.95	46.74	50.84	53.84	55.41	61.72	69.61	77.49	79.07	3.600	25	90
15.80	20.20	24.32	25.13	28.38	30.80	32.41	36.43	37.22	41.38	44.40	45.99	52.35	60.28	68.19	69.77	3.600	50	180
23.67	27.81	31.79	32.58	35.75	38.13	39.71	43.67	44.46	48.57	51.57	53.15	59.47	67.36	75.25	76.82	3.613	31	112
27.09	31.20	35.15	35.95	39.11	41.47	43.05	47.00	47.79	51.89	54.88	56.46	62.77	70.65	78.53	80.11	3.636	22	80
20.62	24.83	28.83	29.64	32.83	35.22	36.81	40.78	41.57	45.70	48.71	50.29	56.62	64.52	72.42	74.00	3.684	38	140
23.74	27.88	31.86	32.65	35.83	38.20	39.79	43.75	44.53	48.64	51.64	53.22	59.54	67.43	75.32	76.90	3.733	30	112
	14.63	19.15	20.02	23.43	25.93	27.58	31.69	32.50	36.71	39.78	41.38	47.79	55.77	63.72	65.31	3.733	60	224
15.93	20.33	24.45	25.27	28.52	30.94	32.55	36.57	37.36	41.52	44.55	46.14	52.49	60.42	68.34	69.92	3.750	48	180
20.69	24.90	28.91	29.71	32.90	35.29	36.88	40.86	41.65	45.77	48.78	50.36	56.69	64.60	72.49	74.07	3.784	37	140
23.81	27.96	31.93	32.73	35.90	38.28	39.86	43.82	44.61	48.72	51.72	53.30	59.62	67.51	75.40	76.98	3.862	29	112
20.76	24.97	28.98	29.78	32.97	35.36	36.95	40.93	41.72	45.84	48.85	50.44	56.77	64.67	72.57	74.15	3.889	36	140
23.88	28.03	32.00	32.80	35.97	38.35	39.93	43.89	44.68	48.79	51.79	53.37	59.69	67.58	75.47	77.05	4.000	28	112
20.83	25.03	29.05	29.85	33.05	35.43	37.03	41.00	41.79	45.92	48.93	50.51	56.84	64.75	72.64	74.22	4.000	35	140
16.12	20.53	24.65	25.47	28.73	31.15	32.76	36.78	37.58	41.73	44.76	46.35	52.71	60.65	68.56	70.15	4.000	45	180
	14.87	19.40	20.27	23.68	26.19	27.85	31.96	32.77	36.99	40.05	41.66	48.08	56.06	64.01	65.60	4.000	56	224
26.23	30.36	34.32	35.11	38.27	40.64	42.22	46.17	46.96	51.07	54.06	55.64	61.95	69.84	77.72	79.30	4.091	22	90
20.89	25.10	29.12	29.92	33.12	35.51	37.10	41.07	41.87	45.99	49.00	50.58	56.92	64.82	72.72	74.30	4.118	34	140
23.95	28.10	32.08	32.87	36.05	38.42	40.01	43.97	44.76	48.87	51.87	53.45	59.77	67.66	75.55	77.13	4.148	27	112
	15.04	19.59	20.46	23.88	26.39	28.05	32.16	32.97	37.20	40.26	41.87	48.29	56.27	64.23	65.82	4.226	53	224
20.96	25.17	29.19	29.99	33.19	35.58	37.17	41.15	41.94	46.07	49.07	50.66	56.99	64.90	72.80	74.37	4.242	33	140
16.30	20.72	24.86	25.68	28.93	31.36	32.97	36.99	37.79	41.95	44.98	46.57	52.93	60.87	68.79	70.37	4.286	42	180
24.02	28.17	32.15	32.95	36.12	38.50	40.08	44.04	44.83	48.94	51.94	53.52	59.84	67.74	75.63	77.20	4.308	26	112
21.03	25.24	29.26	30.06	33.26	35.65	37.24	41.22	42.01	46.14	49.15	50.73	57.06	64.97	72.87	74.45	4.375	32	140
16.37	20.79	24.92	25.74	29.00	31.43	33.04	37.06	37.86	42.02	45.05	46.64	53.01	60.94	68.86	70.44	4.390	41	180
24.09	28.25	32.22	33.02	36.19	38.57	40.16	44.12	44.91	49.02	52.02	53.60	59.92	67.81	75.70	77.28	4.480	25	112
	15.22	19.77	20.65	24.07	26.59	28.25	32.36	33.18	37.40	40.47	42.08	48.50	56.49	64.45	66.04	4.480	50	224
16.43	20.85	24.99	25.81	29.07	31.50	33.11	37.13	37.93	42.09	45.12	46.71	53.08	61.01	68.93	70.52	4.500	40	180
21.10	25.31	29.33	30.13	33.33	35.72	37.31	41.29	42.08	46.21	49.22	50.81	57.14	65.05	72.95	74.52	4.516	31	140
16.49	20.92	25.06	25.88	29.14	31.57	33.18	37.20	38.00	42.16	45.19	46.79	53.15	61.09	69.01	70.59	4.615	39	180
21.17	25.38	29.40	30.20	33.40	35.79	37.39	41.37	42.16	46.28	49.29	50.88	57.21	65.12	73.02	74.60	4.667	30	140
	15.34	19.90	20.77	24.20	26.72	28.38	32.50	33.31	37.54	40.61	42.22	48.65	56.63	64.59	66.18	4.667	48	224
16.55	20.99	25.12	25.95	29.21	31.64	33.25	37.27	38.07	42.23	45.26	46.86	53.22	61.16	69.08	70.67	4.737	38	180
21.23	25.45	29.47	30.28	33.47	35.87	37.46	41.44	42.23	46.36	49.37	50.95	57.29	65.20	73.10	74.68	4.828	29	140
16.62	21.05	25.19	26.01	29.28	31.70	33.32	37.34	38.14	42.30	45.34	46.93	53.30	61.23	69.16	70.74	4.865	37	180
	15.51	20.08	20.96	24.39	26.91	28.58	32.70	33.52	37.75	40.82	42.43	48.86	56.85	64.81	66.40	4.978	45	224
21.30	25.52	29.54	30.35	33.55	35.94	37.53	41.51	42.30	46.43	49.44	51.03	57.36	65.27	73.17	74.75	5.000	28	140
16.68	21.12	25.26	26.08	29.34	31.77	33.39	37.41	38.21	42.38	45.41	47.00	53.37	61.31	69.23	70.81	5.000	36	180
24.30	28.46	32.44	33.24	36.41	38.79	40.38	44.34	45.13	49.24	52.24	53.82	60.14	68.04	75.93	77.51	5.091	22	112
16.74	21.18	25.33	26.15	29.41	31.84	33.46	37.48	38.28	42.45	45.48	47.07	53.44	61.38	69.30	70.89	5.143	35	180
21.37	25.59	29.61	30.42	33.62	36.01	37.60	41.58	42.38	46.50	49.52	51.10	57.44	65.34	73.25	74.83	5.185	27	140
16.80	21.25	25.39	26.22	29.48	31.91	33.53	37.55	38.35	42.52	45.55	47.15	53.51	61.45	69.38	70.96	5.294	34	180
	15.69	20.27	21.15	24.59	27.11	28.78	32.90	33.72	37.95	41.03	42.64	49.07	57.06	65.03	66.62	5.333	42	224
21.44	25.66	29.68	30.49	33.69	36.08	37.67	41.66	42.45	46.58	49.59	51.17	57.51	65.42	73.32	74.90	5.385	26	140
16.87	21.31	25.46	26.28	29.55	31.98	33.60	37.62	38.42	42.59	45.62	47.22	53.59	61.53	69.45	71.04	5.455	33	180
	15.75	20.33	21.21	24.65	27.18	28.84	32.97	33.79	38.02	41.10	42.71	49.14	57.14	65.10	66.69	5.463	41	224
21.51	25.73	29.75	30.56	33.76	36.15	37.75	41.73	42.52	46.65	49.66	51.25	57.58	65.49	73.40	74.98	5.600	25	140
	15.81	20.39	21.28	24.72	27.24	28.91	33.04	33.85	38.09	41.17	42.78	49.21	57.21	65.17	66.76	5.600	40	224
16.93	21.38	25.53	26.35	29.62	32.05	33.67	37.69	38.49	42.66	45.69	47.29	53.66	61.60	69.53	71.11	5.625	32	180
	15.86	20.46	21.34	24.78	27.31	28.97	33.10	33.92	38.16	41.23	42.85	49.28	57.28	65.25	66.84	5.744	39	224
16.99	21.44	25.59	26.42	29.69	32.12	33.74	37.76	38.57	42.73	45.76	47.36	53.73	61.67	69.60	71.18	5.806	31	180
	15.92	20.52	21.40	24.84	27.37	29.04	33.17	33.99	38.23	41.30	42.92	49.35	57.35	65.32	66.91	5.895	38	224
17.05	21.51	25.66	26.48	29.75	32.19	33.80	37.83	38.64	42.80	45.84	47.43	53.80	61.75	69.67	71.26	6.000	30	180
	15.98	20.58	21.46	24.91	27.44	29.11	33.24	34.06	38.30	41.37	42.99	49.42	57.42	65.39	66.98	6.054	37	224
17.12	21.57	25.73	26.55	29.82	32.26	33.87	37.91	38.71	42.87	45.91	47.50	53.88	61.82	69.75	71.33	6.207	29	180
	16.04	20.64	21.52	24.97	27.50	29.17	33.31	34.12	38.36	41.44	43.06	49.49	57.49	65.46	67.05	6.222	36	224
21.71	25.94	29.96	30.77	33.97	36.37	37.96	41.95	42.74	46.87	49.88	51.47	57.81	65.72	73.62	75.20	6.364	22	140
	16.10	20.70	21.59	25.04	27.57	29.24	33.37	34.19	38.43	41.51	43.13	49.56	57.56	65.54	67.13	6.400	35	224
17.18	21.64	25.79	26.62	29.89	32.32	33.94	37.98	38.78	42.94	45.98	47.58	53.95	61.89	69.82	71.41	6.429	28	180
	16.16	20.76	21.65	25.10	27.63	29.30	33.44	34.26	38.50	41.58	43.20	49.63	57.64	65.61	67.20	6.588	34	224
17.24	21.70	25.86	26.69	29.96	32.39	34.01	38.04											

QT Power Chain® II Carbon Drive Selection

14mm Pre-Engineered Drive Selection Table

Sprocket Combinations				Speed Ratio	Center Distance (in)												
DriveR		DriveN			14MPCC-984 P.L. 39.13 71 Teeth	14MPCC-1120 P.L. 44.09 80 Teeth	14MPCC-1190 P.L. 46.85 85 Teeth	14MPCC-1260 P.L. 49.61 90 Teeth	14MPCC-1400 P.L. 55.12 100 Teeth	14MPCC-1568 P.L. 61.73 112 Teeth	14MPCC-1610 P.L. 63.59 115 Teeth	14MPCC-1750 P.L. 68.90 125 Teeth	14MPCC-1890 P.L. 74.41 135 Teeth	14MPCC-1960 P.L. 77.17 140 Teeth	14MPCC-2100 P.L. 82.68 150 Teeth	14MPCC-2240 P.L. 86.19 160 Teeth	14MPCC-2310 P.L. 90.94 165 Teeth
Number of Grooves	Pitch Diameter (inches)	Number of Grooves	Pitch Diameter (inches)														
28	4.912	28	4.912	1.000	11.85	14.33	15.71	17.09	19.84	23.15	23.98	26.73	29.49	30.87	33.62	36.38	37.75
29	5.088	29	5.088	1.000	11.57	14.05	15.43	16.81	19.57	22.87	23.70	26.46	29.21	30.59	33.35	36.10	37.48
30	5.263	30	5.263	1.000	11.30	13.78	15.16	16.54	19.29	22.60	23.43	26.18	28.94	30.32	33.07	35.83	37.20
31	5.439	31	5.439	1.000	11.02	13.50	14.88	16.26	19.02	22.32	23.15	25.91	28.66	30.04	32.80	35.55	36.93
32	5.614	32	5.614	1.000	10.75	13.23	14.61	15.99	18.74	22.05	22.88	25.63	28.39	29.77	32.52	35.28	36.65
33	5.790	33	5.790	1.000	10.47	12.95	14.33	15.71	18.47	21.77	22.60	25.36	28.11	29.49	32.25	35.00	36.38
34	5.965	34	5.965	1.000	10.20	12.68	14.06	15.44	18.19	21.50	22.33	25.08	27.84	29.22	32.00	34.73	36.10
35	6.141	35	6.141	1.000	9.92	12.40	13.78	15.16	17.91	21.22	22.05	24.80	27.56	28.94	31.69	34.45	35.82
36	6.316	36	6.316	1.000	9.64	12.12	13.50	14.88	17.64	20.94	21.77	24.53	27.28	28.66	31.42	34.17	35.55
37	6.492	37	6.492	1.000	9.37	11.85	13.23	14.61	17.36	20.67	21.50	24.25	27.01	28.39	31.14	33.90	35.27
38	6.667	38	6.667	1.000	9.09	11.57	12.95	14.33	17.09	20.39	21.22	23.98	26.73	28.11	30.87	33.62	35.00
39	6.842	39	6.842	1.000	8.82	11.30	12.68	14.06	16.81	20.12	20.95	23.70	26.46	27.84	30.59	33.35	34.72
40	7.018	40	7.018	1.000	8.54	11.02	12.40	13.78	16.54	19.84	20.67	23.43	26.18	27.56	30.32	33.07	34.45
43	7.544	43	7.544	1.000		10.19	11.57	12.95	15.71	19.01	19.84	22.60	25.35	26.73	29.49	32.24	33.62
45	7.895	45	7.895	1.000		9.64	11.02	12.40	15.16	18.46	19.29	22.05	24.80	26.18	28.94	31.69	33.07
48	8.421	48	8.421	1.000			10.20	11.58	14.33	17.64	18.47	21.22	23.98	25.36	28.11	30.87	32.24
50	8.772	50	8.772	1.000			9.65	11.03	13.78	17.09	17.92	20.67	23.43	24.81	27.56	30.32	31.69
53	9.299	53	9.299	1.000				10.20	12.95	16.26	17.09	19.84	22.60	23.98	26.73	29.49	30.86
56	9.825	56	9.825	1.000					12.13	15.43	16.26	19.02	21.77	23.15	25.91	28.66	30.04
60	10.527	60	10.527	1.000						14.33	15.16	17.91	20.67	22.05	24.80	27.56	28.93
63	11.053	63	11.053	1.000						13.50	14.33	17.09	19.84	21.22	23.98	26.73	28.11
67	11.755	67	11.755	1.000							13.23	15.99	18.74	20.12	22.88	25.63	27.01
71	12.457	71	12.457	1.000								14.88	17.64	19.02	21.77	24.53	25.90
75	13.158	75	13.158	1.000									16.54	17.92	20.67	23.43	24.80
80	14.036	80	14.036	1.000									15.16	16.54	19.29	22.05	23.42
38	6.667	39	6.842	1.026	8.95	11.43	12.81	14.19	16.95	20.25	21.08	23.84	26.59	27.97	30.73	33.48	34.86
39	6.842	40	7.018	1.026	8.68	11.16	12.54	13.92	16.67	19.98	20.81	23.56	26.32	27.70	30.45	33.21	34.58
37	6.492	38	6.667	1.027	9.23	11.71	13.09	14.47	17.22	20.53	21.36	24.11	26.87	28.25	31.00	33.76	35.13
36	6.316	37	6.492	1.028	9.51	11.99	13.37	14.75	17.50	20.81	21.64	24.39	27.15	28.53	31.28	34.04	35.41
34	5.965	35	6.141	1.029	10.06	12.54	13.92	15.30	18.05	21.36	22.19	24.94	27.70	29.08	31.83	34.59	35.96
35	6.141	36	6.316	1.029	9.78	12.26	13.64	15.02	17.78	21.08	21.91	24.67	27.42	28.80	31.56	34.31	35.69
33	5.790	34	5.965	1.030	10.33	12.81	14.19	15.57	18.33	21.63	22.46	25.22	27.97	29.35	32.11	34.86	36.24
32	5.614	33	5.790	1.031	10.61	13.09	14.47	15.85	18.60	21.91	22.74	25.49	28.25	29.63	32.38	35.14	36.51
31	5.439	32	5.614	1.032	10.88	13.36	14.74	16.12	18.88	22.18	23.01	25.77	28.52	29.90	32.66	35.41	36.79
30	5.263	31	5.439	1.033	11.16	13.64	15.02	16.40	19.15	22.46	23.29	26.04	28.80	30.18	32.93	35.69	37.06
29	5.088	30	5.263	1.034	11.44	13.92	15.30	16.68	19.43	22.74	23.57	26.32	29.08	30.46	33.21	35.97	37.34
28	4.912	29	5.088	1.036	11.71	14.19	15.57	16.95	19.71	23.01	23.84	26.60	29.35	30.73	33.49	36.24	37.62
48	8.421	50	8.772	1.042			9.92	11.30	14.06	17.36	18.19	20.95	23.70	25.08	27.84	30.59	31.97
43	7.544	45	7.895	1.047		9.92	11.30	12.68	15.43	18.74	19.57	22.32	25.08	26.46	29.21	31.97	33.34
60	10.527	63	11.053	1.050						13.91	14.74	17.50	20.25	21.63	24.39	27.14	28.52
38	6.667	40	7.018	1.053	8.82	11.30	12.68	14.06	16.81	20.12	20.95	23.70	26.46	27.84	30.59	33.35	34.72
37	6.492	39	6.842	1.054	9.09	11.57	12.95	14.33	17.09	20.39	21.22	23.98	26.73	28.11	30.87	33.62	35.00
36	6.316	38	6.667	1.056	9.37	11.85	13.23	14.61	17.36	20.67	21.50	24.25	27.01	28.39	31.14	33.90	35.27
71	12.457	75	13.158	1.056								14.33	17.08	18.46	21.22	23.97	25.35
35	6.141	37	6.492	1.057	9.64	12.12	13.50	14.88	17.64	20.94	21.77	24.53	27.28	28.66	31.42	34.17	35.55
53	9.299	56	9.825	1.057					12.54	15.84	16.67	19.43	22.18	23.56	26.32	29.07	30.45
34	5.965	36	6.316	1.059	9.92	12.40	13.78	15.16	17.91	21.22	22.05	24.80	27.56	28.94	31.69	34.45	35.82
50	8.772	53	9.299	1.060				10.61	13.36	16.67	17.50	20.26	23.01	24.39	27.15	29.90	31.28
67	11.755	71	12.457	1.060								15.43	18.19	19.57	22.32	25.08	26.45
33	5.790	35	6.141	1.061	10.19	12.67	14.05	15.43	18.19	21.49	22.32	25.08	27.83	29.21	31.97	34.72	36.10
32	5.614	34	5.965	1.063	10.47	12.95	14.33	15.71	18.47	21.77	22.60	25.36	28.11	29.49	32.25	35.00	36.38
63	11.053	67	11.755	1.063						12.95	13.78	16.53	19.29	20.67	23.42	26.18	27.55
31	5.439	33	5.790	1.065	10.74	13.22	14.60	15.98	18.74	22.05	22.88	25.63	28.39	29.77	32.52	35.28	36.65
30	5.263	32	5.614	1.067	11.02	13.50	14.88	16.26	19.02	22.32	23.15	25.91	28.66	30.04	32.80	35.55	36.93
45	7.895	48	8.421	1.067		9.23	10.61	11.99	14.74	18.05	18.88	21.63	24.39	25.77	28.52	31.28	32.65
75	13.158	80	14.036	1.067									15.84	17.22	19.98	22.73	24.11
29	5.088	31	5.439	1.069	11.30	13.78	15.16	16.54	19.29	22.60	23.43	26.18	28.94	30.32	33.07	35.83	37.20
28	4.912	30	5.263	1.071	11.57	14.05	15.43	16.81	19.57	22.87	23.70	26.46	29.21	30.59	33.35	36.10	37.48
56	9.825	60	10.527	1.071				11.57	14.88	18.19	18.46	21.22	24.00	25.35	28.11	29.48	30.86
40	7.018	43	7.544	1.075	8.12	10.60	11.99	13.37	16.12	19.43	20.26	23.01	25.77	27.15	29.90	32.66	34.03
37	6.492	40	7.018	1.081	8.95	11.43	12.81	14.19	16.95	20.25	21.08	23.84	26.59	27.97	30.73	33.48	34.86
36	6.316	39	6.842	1.083	9.23	11.71	13.09	14.47	17.22	20.53	21.36	24.11	26.87	28.25	31.00	33.76	35.13
35	6.141	38	6.667	1.086	9.50	11.98	13.36	14.74	17.50	20.80	21.63	24.39	27.14	28.52	31.28	34.03	35.41
34	5.965	37	6.492	1.088	9.78	12.26	13.64	15.02	17.77	21.08	21.91	24.66	27.42	28.80	31.56	34.31	35.69
33	5.790	36	6.316	1.091	10.05	12.53	13.91	15.29	18.05	21.36	22.19	24.94	27.70	29.08	31.83	34.59	35.96
32	5.614	35	6.141	1.094	10.33	12.81	14.19	15.57	18.33	21.63	22.46	25.22	27.97	29.35	32.11	34.86	36.24
31	5.439	34	5.965	1.097	10.61	13.09	14.47	15.85	18.60	21.91	22.74	25.49	28.25	29.63	32.38	35.14	36.51
30	5.263	33	5.790	1.100	10.88	13.36	14.74	16.12	18.88	22.18	23.01	25.77	28.52	29.90	32.66	35.41	36.79
29	5.088	32	5.614	1.103	11.16	13.64	15.02	16.40	19.15	22.46	23.29						

QT Power Chain® II Carbon Drive Selection

14mm Pre-Engineered Drive Selection Table

Center Distance (in)														Speed Ratio	Sprocket Combinations	
14MPCC-2380 P.L. 93.70 170 Teeth	14MPCC-2450 P.L. 96.46 175 Teeth	14MPCC-2530 P.L. 99.21 180 Teeth	14MPCC-2590 P.L. 101.97 185 Teeth	14MPCC-2660 P.L. 104.72 190 Teeth	14MPCC-2800 P.L. 110.24 200 Teeth	14MPCC-3136 P.L. 123.46 224 Teeth	14MPCC-3304 P.L. 130.08 236 Teeth	14MPCC-3360 P.L. 132.28 240 Teeth	14MPCC-3500 P.L. 137.79 250 Teeth	14MPCC-3850 P.L. 151.57 275 Teeth	14MPCC-3920 P.L. 154.33 280 Teeth	14MPCC-4326 P.L. 170.31 309 Teeth	14MPCC-4410 P.L. 173.62 315 Teeth		DriveN	DriveN
															Number of Grooves	Pitch Diameter (Inches)
39.13	40.51	41.89	43.27	44.64	47.40	54.01	57.32	58.42	61.18	68.07	69.45	77.44	79.09	1.000	28	28
38.86	40.24	41.61	42.99	44.37	47.13	53.74	57.05	58.15	60.90	67.79	69.17	77.16	78.82	1.000	29	29
38.58	39.96	41.34	42.72	44.09	46.85	53.46	56.77	57.87	60.63	67.52	68.90	76.89	78.54	1.000	30	30
38.31	39.69	41.06	42.44	43.82	46.58	53.19	56.50	57.60	60.35	67.24	68.62	76.61	78.27	1.000	31	31
38.03	39.41	40.79	42.17	43.54	46.30	52.91	56.22	57.32	60.08	66.97	68.35	76.34	77.99	1.000	32	32
37.76	39.14	40.51	41.89	43.27	46.03	52.64	55.95	57.05	59.80	66.69	68.07	76.06	77.72	1.000	33	33
37.48	38.86	40.24	41.62	42.99	45.75	52.36	55.67	56.77	59.53	66.42	67.80	75.79	77.44	1.000	34	34
37.20	38.58	39.96	41.34	42.71	45.47	52.08	55.39	56.49	59.25	66.14	67.52	75.51	77.16	1.000	35	35
36.93	38.31	39.68	41.06	42.44	45.20	51.81	55.12	56.22	58.97	65.86	67.24	75.23	76.89	1.000	36	36
36.65	38.03	39.41	40.79	42.16	44.92	51.53	54.84	55.94	58.70	65.59	66.97	74.96	76.61	1.000	37	37
36.38	37.76	39.13	40.51	41.89	44.65	51.26	54.57	55.67	58.42	65.31	66.69	74.68	76.34	1.000	38	38
36.10	37.48	38.86	40.24	41.61	44.37	50.98	54.29	55.39	58.15	65.04	66.42	74.41	76.06	1.000	39	39
35.83	37.21	38.58	39.96	41.34	44.10	50.71	54.02	55.12	57.87	64.76	66.14	74.13	75.79	1.000	40	40
35.50	36.93	38.31	39.68	41.06	43.82	50.43	53.74	54.84	57.60	64.49	65.87	73.96	75.61	1.000	41	41
35.22	36.65	38.03	39.41	40.79	43.54	50.15	53.46	54.57	57.42	64.22	65.60	73.69	75.34	1.000	42	42
34.95	36.38	37.76	39.13	40.51	43.27	49.88	53.19	54.29	57.04	63.93	65.31	73.30	74.96	1.000	43	43
34.67	36.10	37.48	38.86	40.24	42.99	49.60	52.91	54.02	56.79	63.66	65.04	73.03	74.68	1.000	44	44
34.40	35.83	37.20	38.58	39.96	42.71	49.33	52.64	53.74	56.49	63.38	64.76	72.75	74.41	1.000	45	45
34.12	35.56	37.00	38.37	39.74	42.44	49.05	52.36	53.46	56.22	63.11	64.49	72.48	74.13	1.000	46	46
33.85	35.29	36.79	38.16	39.53	42.16	48.78	52.08	52.91	55.67	62.84	64.02	72.21	73.86	1.000	47	47
33.57	35.01	36.51	37.88	39.25	41.88	48.50	51.81	52.91	55.67	62.56	63.94	71.93	73.58	1.000	48	48
33.30	34.74	36.24	37.61	38.98	41.59	48.23	51.53	52.36	54.49	62.29	63.66	71.66	73.31	1.000	49	49
33.02	34.46	35.93	37.30	38.67	41.30	47.95	51.26	52.08	54.22	62.01	63.39	71.38	73.03	1.000	50	50
32.75	34.19	35.66	37.03	38.40	41.01	47.67	50.98	51.81	53.74	61.73	62.84	71.11	72.76	1.000	51	51
32.47	33.91	35.38	36.75	38.11	40.72	47.39	50.71	51.53	53.46	61.45	62.56	70.84	72.49	1.000	52	52
32.20	33.64	35.11	36.48	37.84	40.43	47.12	50.43	51.26	53.19	61.18	62.29	70.57	72.22	1.000	53	53
31.92	33.36	34.84	36.21	37.57	40.14	46.84	49.88	50.71	52.91	60.90	62.01	70.30	71.95	1.000	54	54
31.65	33.09	34.57	35.94	37.28	39.85	46.57	49.60	50.43	52.64	60.63	61.73	69.72	71.38	1.000	55	55
31.37	32.81	34.30	35.67	37.00	39.56	46.29	48.50	49.60	52.36	60.35	60.63	68.62	70.27	1.000	56	56
31.10	32.54	34.03	35.38	36.71	39.27	46.01	48.23	49.05	52.08	60.08	60.35	68.35	69.82	1.000	57	57
30.82	32.26	33.75	35.11	36.44	38.98	45.74	47.95	48.50	51.81	59.80	59.25	68.07	69.45	1.000	58	58
30.55	31.99	33.48	34.84	36.15	38.69	45.47	47.67	48.23	51.53	59.53	58.70	67.79	68.82	1.000	59	59
30.27	31.71	33.21	34.57	35.88	38.40	45.19	47.39	47.95	51.26	59.25	58.42	67.52	68.59	1.000	60	60
30.00	31.44	32.94	34.30	35.60	38.11	44.92	47.12	47.67	50.98	58.97	58.15	67.24	68.35	1.000	61	61
29.72	31.16	32.67	34.03	35.33	37.82	44.64	46.84	47.39	50.71	58.70	57.87	66.97	67.79	1.000	62	62
29.45	30.89	32.40	33.76	35.06	37.53	44.37	46.57	47.12	50.43	58.42	57.60	66.69	67.52	1.000	63	63
29.17	30.61	32.13	33.49	34.79	37.24	44.09	46.30	46.84	50.15	58.15	57.32	66.42	67.24	1.000	64	64
28.90	30.34	31.86	33.22	34.52	36.95	43.82	46.01	46.57	49.88	57.87	57.04	66.14	66.97	1.000	65	65
28.62	30.06	31.59	32.95	34.25	36.66	43.54	45.74	46.29	49.60	57.60	56.79	65.87	66.69	1.000	66	66
28.35	29.79	31.32	32.68	33.98	36.37	43.27	45.47	46.01	49.33	57.32	56.49	65.60	66.42	1.000	67	67
28.07	29.51	31.05	32.41	33.71	36.08	43.00	45.19	45.74	49.05	57.04	56.22	65.31	66.14	1.000	68	68
27.80	29.24	30.78	32.14	33.44	35.79	42.72	44.92	45.47	48.78	56.79	55.94	65.04	65.87	1.000	69	69
27.52	28.96	30.51	31.87	33.17	35.50	42.44	44.64	45.19	48.50	56.49	55.67	64.76	65.60	1.000	70	70
27.25	28.69	30.24	31.60	32.90	35.21	42.16	44.37	44.92	48.23	56.22	55.39	64.49	65.31	1.000	71	71
26.97	28.41	29.97	31.33	32.63	34.92	41.88	44.09	44.64	47.95	55.94	55.67	64.22	64.96	1.000	72	72
26.70	28.14	29.70	31.06	32.36	34.63	41.60	43.82	44.37	47.67	55.67	55.39	64.02	64.69	1.000	73	73
26.42	27.86	29.43	30.79	32.09	34.34	41.32	43.54	43.82	47.39	55.39	55.12	63.75	64.41	1.000	74	74
26.15	27.59	29.16	30.52	31.82	34.05	41.04	43.27	43.54	47.12	55.12	54.84	63.48	64.13	1.000	75	75
25.87	27.31	28.89	30.25	31.55	33.76	40.76	43.00	43.27	46.84	54.84	54.57	63.21	63.86	1.000	76	76
25.60	27.04	28.62	29.98	31.28	33.47	40.48	42.72	43.00	46.57	54.57	54.29	62.94	63.59	1.000	77	77
25.32	26.76	28.35	29.71	31.01	33.18	40.20	42.44	42.72	46.30	54.29	54.02	62.67	63.32	1.000	78	78
25.05	26.49	28.08	29.44	30.74	32.89	39.92	42.16	42.44	46.01	54.02	53.74	62.40	63.05	1.000	79	79
24.77	26.21	27.81	29.17	30.47	32.60	39.64	41.88	42.16	45.74	53.74	53.46	62.13	62.78	1.000	80	80
24.50	25.94	27.54	28.90	30.20	32.31	39.36	41.60	41.88	45.47	53.46	53.19	61.86	62.51	1.000	81	81
24.22	25.66	27.27	28.63	29.93	32.02	39.08	41.32	41.60	45.19	53.19	52.91	61.59	62.24	1.000	82	82
23.95	25.39	26.99	28.36	29.66	31.73	38.80	41.04	41.32	44.92	52.91	52.64	61.32	61.97	1.000	83	83
23.67	25.11	26.72	28.09	29.39	31.44	38.52	40.76	40.99	44.64	52.64	52.36	61.05	61.70	1.000	84	84
23.40	24.84	26.45	27.82	29.12	31.15	38.24	40.48	40.76	44.37	52.36	52.08	60.78	61.43	1.000	85	85
23.12	24.56	26.18	27.55	28.85	30.86	37.96	40.20	40.99	44.09	52.08	51.81	60.51	61.16	1.000	86	86
22.85	24.29	25.91	27.28	28.58	30.57	37.68	39.92	40.76	43.82	51.81	51.53	60.24	60.89	1.000	87	87
22.57	24.01	25.64	27.01	28.31	30.28	37.40	39.64	40.48	43.54	51.53	51.26	60.00	60.63	1.000	88	88
22.30	23.74	25.37	26.74	28.04	30.00	37.12	39.36	40.20	43.27	51.26	50.98	59.72	60.35	1.000	89	89
22.02	23.46	25.10	26.47	27.77	29.71	36.84	39.08	39.64	43.00	50.98	50.71	59.45	60.08	1.000	90	90
21.75	23.19	24.83	26.20	27.50	29.42	36.56	38.80	39.36	42.72	50.71	50.43	59.18	59.80	1.000	91	91
21.47	22.91	24.56	25.93	27.23	29.13	36.28	38.52	38.80	42.44	50.43	50.15	58.91	59.53	1.000	92	92
21.20	22.64	24.29	25.66	26.96	28.84	36.00	38.24	38.52	42.16	50.15	50.00	58.64	59.25	1.000	93	93
20.92	22.36	24.02	25.39	26.69	28.55	35.72	38.00	38.24	41.88	50.00	49.88	58.37	58.97	1.000	94	94
20.65	22.09	23.75	25.12	26.42	28.26	35.44	37.76	38.00	41.60	49.88	49.60	58.10	58.70	1.000	95	95
20.37	21.81	23.48	24.85	26.15	27.97	35.16	37.48	37.76	41.32	49.60	49.33	57.83	58.42	1.000</		

QT Power Chain® II Carbon Drive Selection

14mm Pre-Engineered Drive Selection Table

Sprocket Combinations				Speed Ratio	Center Distance (in)												
DriveR		DriveN			14MPCC-984 P.L. 39.13 71 Teeth	14MPCC-1120 P.L. 44.09 80 Teeth	14MPCC-1190 P.L. 46.85 85 Teeth	14MPCC-1260 P.L. 49.61 90 Teeth	14MPCC-1400 P.L. 55.12 100 Teeth	14MPCC-1568 P.L. 61.73 112 Teeth	14MPCC-1610 P.L. 63.59 115 Teeth	14MPCC-1750 P.L. 68.90 125 Teeth	14MPCC-1890 P.L. 74.41 135 Teeth	14MPCC-1960 P.L. 77.17 140 Teeth	14MPCC-2100 P.L. 82.68 150 Teeth	14MPCC-2240 P.L. 86.19 160 Teeth	14MPCC-2310 P.L. 90.94 165 Teeth
Number of Grooves	Pitch Diameter (inches)	Number of Grooves	Pitch Diameter (inches)														
28	4.912	31	5.439	1.107	11.43	13.91	15.29	16.67	19.43	22.73	23.56	26.32	29.07	30.45	33.21	35.96	37.34
36	6.316	40	7.018	1.111	9.09	11.57	12.95	14.33	17.08	20.39	21.22	23.97	26.73	28.11	30.87	33.62	35.00
45	7.895	50	8.772	1.111			10.33	11.71	14.46	17.77	18.60	21.36	24.11	25.49	28.25	31.00	32.38
35	6.141	39	6.842	1.114	9.36	11.84	13.22	14.60	17.36	20.67	21.50	24.25	27.01	28.39	31.14	33.90	35.27
43	7.544	48	8.421	1.116		9.50	10.88	12.26	15.01	18.32	19.15	21.91	24.66	26.04	28.80	31.55	32.93
60	10.527	67	11.755	1.117						13.35	14.18	16.94	19.70	21.08	23.83	26.59	27.96
34	5.965	38	6.667	1.118	9.64	12.12	13.50	14.88	17.64	20.94	21.77	24.53	27.28	28.66	31.42	34.17	35.55
67	11.755	75	13.158	1.119								14.87	17.62	19.01	21.76	24.52	25.89
50	8.772	56	9.825	1.120				10.19	12.94	16.25	17.08	19.84	22.59	23.97	26.73	29.48	30.86
33	5.790	37	6.492	1.121	9.91	12.39	13.77	15.15	17.91	21.22	22.05	24.80	27.56	28.94	31.69	34.45	35.82
32	5.614	36	6.316	1.125	10.19	12.67	14.05	15.43	18.19	21.49	22.32	25.08	27.83	29.21	31.97	34.72	36.10
40	7.018	45	7.895	1.125		10.32	11.70	13.09	15.84	19.15	19.98	22.73	25.49	26.87	29.62	32.38	33.75
56	9.825	63	11.053	1.125					11.15	14.45	15.29	18.04	20.80	22.18	24.93	27.69	29.07
80	14.036	90	15.790	1.125											17.89	20.65	22.03
63	11.053	71	12.457	1.127								13.21	15.97	18.73	20.11	22.86	25.62
71	12.457	80	14.036	1.127										16.38	20.52	23.27	24.65
31	5.439	35	6.141	1.129	10.46	12.95	14.33	15.71	18.46	21.77	22.60	25.35	28.11	29.49	32.24	35.00	36.37
38	6.667	43	7.544	1.132	8.39	10.87	12.26	13.64	16.39	19.70	20.53	23.28	26.04	27.42	30.18	32.93	34.31
53	9.299	60	10.527	1.132					11.97	15.28	16.11	18.87	21.62	23.01	25.76	28.52	29.89
30	5.263	34	5.965	1.133	10.74	13.22	14.60	15.98	18.74	22.04	22.87	25.63	28.38	29.76	32.52	35.27	36.65
29	5.088	33	5.790	1.138	11.02	13.50	14.88	16.26	19.01	22.32	23.15	25.90	28.66	30.04	32.79	35.55	36.92
28	4.912	32	5.614	1.143	11.29	13.77	15.15	16.53	19.29	22.60	23.43	26.18	28.94	30.32	33.07	35.83	37.20
35	6.141	40	7.018	1.143	9.22	11.70	13.08	14.46	17.22	20.53	21.36	24.11	26.87	28.25	31.00	33.76	35.13
34	5.965	39	6.842	1.147	9.50	11.98	13.36	14.74	17.50	20.80	21.63	24.39	27.14	28.52	31.28	34.03	35.41
33	5.790	38	6.667	1.152	9.77	12.25	13.63	15.01	17.77	21.08	21.91	24.66	27.42	28.80	31.55	34.31	35.68
39	6.842	45	7.895	1.154		10.46	11.84	13.22	15.98	19.28	20.11	22.87	25.63	27.01	29.76	32.52	33.89
32	5.614	37	6.492	1.156	10.05	12.53	13.91	15.29	18.05	21.35	22.18	24.94	27.69	29.07	31.83	34.58	35.96
31	5.439	36	6.316	1.161	10.32	12.81	14.19	15.57	18.32	21.63	22.46	25.21	27.97	29.35	32.10	34.86	36.23
37	6.492	43	7.544	1.162	8.52	11.01	12.39	13.77	16.53	19.83	20.66	23.42	26.18	27.56	30.31	33.07	34.44
43	7.544	50	8.772	1.163		9.21	10.59	11.97	14.73	18.04	18.87	21.63	24.38	25.76	28.52	31.27	32.65
30	5.263	35	6.141	1.167	10.60	13.08	14.46	15.84	18.60	21.90	22.73	25.49	28.24	29.63	32.38	35.14	36.51
48	8.421	56	9.825	1.167				10.45	13.21	16.52	17.35	20.11	22.86	24.24	27.00	29.76	31.13
29	5.088	34	5.965	1.172	10.88	13.36	14.74	16.12	18.87	22.18	23.01	25.77	28.52	29.90	32.66	35.41	36.79
34	5.965	40	7.018	1.176	9.35	11.84	13.22	14.60	17.36	20.66	21.49	24.25	27.00	28.38	31.14	33.89	35.27
45	7.895	53	9.299	1.178			9.90	11.28	14.04	17.35	18.18	20.93	23.69	25.07	27.83	30.58	31.96
28	4.912	33	5.790	1.179	11.15	13.63	15.01	16.39	19.15	22.46	23.29	26.04	28.80	30.18	32.93	35.69	37.06
33	5.790	39	6.842	1.182	9.63	12.11	13.49	14.87	17.63	20.94	21.77	24.52	27.28	28.66	31.41	34.17	35.54
60	10.527	71	12.457	1.183						12.78	13.61	16.37	19.13	20.51	23.27	26.03	27.40
38	6.667	45	7.895	1.184	8.10	10.59	11.97	13.35	16.11	19.42	20.25	23.00	25.76	27.14	29.90	32.65	34.03
32	5.614	38	6.667	1.188	9.91	12.39	13.77	15.15	17.91	21.21	22.04	24.80	27.55	28.93	31.69	34.45	35.82
53	9.299	63	11.053	1.189					11.54	14.85	15.69	18.44	21.20	22.58	25.34	28.10	29.47
63	11.053	75	13.158	1.190								15.40	18.16	19.54	22.30	25.06	26.43
31	5.439	37	6.492	1.194	10.18	12.66	14.04	15.43	18.18	21.49	22.32	25.07	27.83	29.21	31.97	34.72	36.10
36	6.316	43	7.544	1.194	8.66	11.14	12.52	13.91	16.66	19.97	20.80	23.56	26.31	27.69	30.45	33.20	34.58
67	11.755	80	14.036	1.194								14.15	16.91	18.29	21.05	23.81	25.19
56	9.825	67	11.755	1.196						13.88	14.71	17.47	20.23	21.61	24.37	27.13	28.50
30	5.263	36	6.316	1.200	10.46	12.94	14.32	15.70	18.46	21.76	22.59	25.35	28.11	29.49	32.24	35.00	36.37
40	7.018	48	8.421	1.200		9.89	11.28	12.66	15.42	18.73	19.56	22.31	25.07	26.45	29.21	31.96	33.34
50	8.772	60	10.527	1.200					12.37	15.68	16.51	19.27	22.03	23.41	26.17	28.92	30.30
75	13.158	90	15.790	1.200										15.79	18.56	21.32	22.70
29	5.088	35	6.141	1.207	10.73	13.22	14.60	15.98	18.73	22.04	22.87	25.63	28.38	29.76	32.52	35.27	36.65
33	5.790	40	7.018	1.212	9.49	11.97	13.35	14.73	17.49	20.80	21.63	24.38	27.14	28.52	31.27	34.03	35.41
28	4.912	34	5.965	1.214	11.01	13.49	14.87	16.25	19.01	22.32	23.15	25.90	28.66	30.04	32.79	35.55	36.92
37	6.492	45	7.895	1.216	8.24	10.72	12.11	13.49	16.25	19.55	20.38	23.14	25.90	27.28	30.03	32.79	34.16
32	5.614	39	6.842	1.219	9.76	12.25	13.63	15.01	17.77	21.07	21.90	24.66	27.42	28.80	31.55	34.31	35.68
31	5.439	38	6.667	1.226	10.04	12.52	13.90	15.28	18.04	21.35	22.18	24.93	27.69	29.07	31.83	34.58	35.96
35	6.141	43	7.544	1.229	8.79	11.28	12.66	14.04	16.80	20.10	20.94	23.69	26.45	27.83	30.58	33.34	34.71
39	6.842	48	8.421	1.231		10.03	11.41	12.79	15.55	18.86	19.69	22.45	25.21	26.59	29.34	32.10	33.47
30	5.263	37	6.492	1.233	10.31	12.80	14.18	15.56	18.32	21.62	22.45	25.21	27.97	29.35	32.10	34.86	36.23
43	7.544	53	9.299	1.233			10.16	11.54	14.30	17.61	18.45	21.20	23.96	25.34	28.10	30.85	32.23
29	5.088	36	6.316	1.241	10.59	13.07	14.46	15.84	18.59	21.90	22.73	25.49	28.24	29.62	32.38	35.13	36.51
45	7.895	56	9.825	1.244				10.84	13.61	16.92	17.75	20.51	23.27	24.65	27.41	30.16	31.54
28	4.912	35	6.141	1.250	10.87	13.35	14.73	16.11	18.87	22.18	23.01	25.76	28.52	29.90	32.65	35.41	36.78
32	5.614	40	7.018	1.250	9.62	12.10	13.49	14.87	17.62	20.93	21.76	24.52	27.27	28.66	31.41	34.17	35.54
36	6.316	45	7.895	1.250	8.37	10.85	12.24	13.62	16.38	19.69	20.52	23.28	26.03	27.41	30.17	32.92	34.30
40	7.018	50	8.772	1.250		9.60	10.99	12.37	15.13	18.44	19.27	22.03	24.79	26.17	28.93	31.68	33.06
48	8.421	60	10.527	1.250					12.63	15.95	16.78	19.54	22.30	23.68	26.44	29.19	30.57
60	10.527	75	13.158	1.250								13.03	15.79	18.56	21.32	24.07	26.84
31	5.439	39	6.842	1.258	9.89	12.38	13.76	15.14	17.90	21.21	22.04	24.79	27.55	28.93	31.69	34.44	35.82
50	8.772	63	11.053	1.260					11.								

QT Power Chain® II Carbon Drive Selection

14mm Pre-Engineered Drive Selection Table

Center Distance (in)														Speed Ratio	Sprocket Combinations	
14MPCC-2380 P.L. 93.70 170 Teeth	14MPCC-2450 P.L. 96.46 175 Teeth	14MPCC-2530 P.L. 99.21 180 Teeth	14MPCC-2590 P.L. 101.97 185 Teeth	14MPCC-2660 P.L. 104.72 190 Teeth	14MPCC-2800 P.L. 110.24 200 Teeth	14MPCC-3196 P.L. 123.46 224 Teeth	14MPCC-3304 P.L. 130.08 236 Teeth	14MPCC-3360 P.L. 132.28 240 Teeth	14MPCC-3500 P.L. 137.79 250 Teeth	14MPCC-3850 P.L. 151.57 275 Teeth	14MPCC-3920 P.L. 154.33 280 Teeth	14MPCC-4326 P.L. 170.31 309 Teeth	14MPCC-4410 P.L. 173.62 315 Teeth		DriveR	DriveN
															Number of Grooves	Pitch Diameter (inches)
38.72	40.10	41.47	42.85	44.23	46.99	53.60	56.91	58.01	60.76	67.65	69.03	77.02	78.68	1.107	28	31
36.38	37.76	39.13	40.51	41.89	44.65	51.26	54.57	55.67	58.42	65.31	66.69	74.68	76.34	1.111	36	40
33.76	35.14	36.51	37.89	39.27	42.03	48.64	51.95	53.05	55.80	62.69	64.07	72.06	73.72	1.111	45	50
36.65	38.03	39.41	40.79	42.16	44.92	51.53	54.84	55.94	58.70	65.59	66.97	74.96	76.61	1.114	35	39
34.31	35.69	37.06	38.44	39.82	42.58	49.19	52.50	53.60	56.35	63.24	64.62	72.61	74.27	1.116	43	48
29.34	30.72	32.10	33.48	34.85	37.61	44.23	47.54	48.64	51.39	58.28	59.66	67.65	69.31	1.117	60	67
36.93	38.31	39.68	41.06	42.44	45.20	51.81	55.12	56.22	58.97	65.86	67.24	75.23	76.89	1.118	34	38
27.27	28.65	30.03	31.41	32.79	35.55	42.16	45.47	46.57	49.32	56.21	57.59	65.58	67.24	1.119	67	75
32.24	33.62	34.99	36.38	37.75	40.51	47.12	50.43	51.53	54.29	61.18	62.56	70.55	72.20	1.120	50	56
37.20	38.58	39.96	41.34	42.71	45.47	52.08	55.39	56.49	59.25	66.14	67.52	75.51	77.16	1.121	33	37
37.48	38.86	40.23	41.61	42.99	45.75	52.36	55.67	56.77	59.52	66.41	67.79	75.78	77.44	1.125	32	36
35.13	36.51	37.89	39.27	40.64	43.41	50.02	53.33	54.43	57.18	64.07	65.45	73.44	75.10	1.125	40	45
30.45	31.83	33.20	34.58	35.96	38.72	45.33	48.64	49.74	52.49	59.38	60.76	68.75	70.41	1.125	56	63
23.41	24.79	26.17	27.55	28.92	31.68	38.29	41.61	42.71	45.46	52.35	53.73	61.72	63.38	1.125	80	90
28.38	29.76	31.13	32.51	33.89	36.65	43.26	46.57	47.67	50.43	57.32	58.70	66.69	68.34	1.127	63	71
26.03	27.41	28.79	30.17	31.54	34.30	40.91	44.23	45.33	48.08	54.97	56.35	64.34	66.00	1.127	71	80
37.75	39.13	40.51	41.89	43.26	46.02	52.63	55.94	57.04	59.80	66.69	68.07	76.06	77.71	1.129	31	35
35.69	37.07	38.44	39.82	41.20	43.96	50.57	53.88	54.98	57.73	64.62	66.00	73.99	75.65	1.132	38	43
31.27	32.65	34.03	35.41	36.78	39.54	46.15	49.46	50.56	53.32	60.21	61.59	69.58	71.24	1.132	53	60
38.03	39.41	40.79	42.17	43.54	46.30	52.91	56.22	57.32	60.08	66.97	68.35	76.34	77.99	1.133	30	34
38.30	39.68	41.06	42.44	43.82	46.58	53.19	56.50	57.60	60.35	67.24	68.62	76.61	78.27	1.138	29	33
38.58	39.96	41.34	42.72	44.09	46.85	53.46	56.77	57.87	60.63	67.52	68.90	76.89	78.54	1.143	28	32
36.51	37.89	39.27	40.65	42.02	44.78	51.39	54.70	55.80	58.56	65.45	66.83	74.82	76.47	1.143	35	40
36.79	38.17	39.54	40.92	42.30	45.06	51.67	54.98	56.08	58.83	65.72	67.10	75.10	76.75	1.147	34	39
37.06	38.44	39.82	41.20	42.57	45.33	51.94	55.25	56.35	59.11	66.00	67.38	75.37	77.03	1.152	33	38
35.27	36.65	38.03	39.41	40.78	43.54	50.15	53.46	54.56	57.32	64.21	65.59	73.58	75.23	1.154	39	45
37.34	38.72	40.09	41.47	42.85	45.61	52.22	55.53	56.63	59.39	66.28	67.66	75.65	77.30	1.156	32	37
37.62	39.00	40.37	41.75	43.13	45.89	52.50	55.81	56.91	59.66	66.55	67.93	75.92	77.58	1.161	31	36
35.82	37.20	38.58	39.96	41.33	44.09	50.70	54.01	55.11	57.87	64.76	66.14	74.13	75.78	1.162	37	43
34.03	35.41	36.79	38.17	39.54	42.30	48.91	52.22	53.32	56.08	62.97	64.35	72.34	73.99	1.163	43	50
37.89	39.27	40.65	42.03	43.40	46.16	52.77	56.08	57.18	59.94	66.83	68.21	76.20	77.85	1.167	30	35
32.51	33.89	35.27	36.65	38.02	40.78	47.39	50.70	51.80	54.56	61.45	62.83	70.82	72.48	1.167	48	56
38.17	39.55	40.92	42.30	43.68	46.44	53.05	56.36	57.46	60.21	67.10	68.48	76.47	78.13	1.172	29	34
36.65	38.03	39.40	40.78	42.16	44.92	51.53	54.84	55.94	58.70	65.59	66.97	74.96	76.61	1.176	34	40
33.34	34.72	36.09	37.47	38.85	41.61	48.22	51.53	52.63	55.39	62.28	63.66	71.65	73.30	1.178	45	53
38.44	39.82	41.20	42.58	43.95	46.71	53.32	56.63	57.73	60.49	67.38	68.76	76.75	78.40	1.179	28	33
36.93	38.31	39.68	41.06	42.44	45.20	51.81	55.12	56.22	58.97	65.86	67.24	75.23	76.89	1.182	33	39
28.78	30.16	31.54	32.92	34.29	37.06	43.67	46.98	48.08	50.83	57.73	59.11	67.10	68.75	1.183	60	71
35.41	36.79	38.16	39.54	40.92	43.68	50.29	53.60	54.70	57.45	64.35	65.73	73.72	75.37	1.184	38	45
37.20	38.58	39.96	41.34	42.71	45.47	52.08	55.39	56.49	59.25	66.14	67.52	75.51	77.16	1.188	32	38
30.85	32.23	33.61	34.99	36.37	39.13	45.74	49.05	50.15	52.90	59.79	61.17	69.17	70.82	1.189	53	63
27.81	29.20	30.57	31.95	33.33	36.09	42.70	46.01	47.11	49.87	56.76	58.14	66.13	67.79	1.190	63	75
37.48	38.86	40.23	41.61	42.99	45.75	52.36	55.67	56.77	59.52	66.41	67.79	75.78	77.44	1.194	31	37
35.96	37.34	38.71	40.09	41.47	44.23	50.84	54.15	55.25	58.01	64.90	66.28	74.27	75.92	1.194	36	43
26.57	27.95	29.33	30.71	32.08	34.85	41.46	44.77	45.87	48.63	55.52	56.90	64.89	66.54	1.194	67	80
29.89	31.27	32.64	34.02	35.40	38.16	44.77	48.08	49.18	51.94	58.83	60.21	68.20	69.85	1.196	56	67
37.75	39.13	40.51	41.89	43.26	46.02	52.63	55.94	57.04	59.80	66.69	68.07	76.06	77.71	1.200	30	36
34.72	36.10	37.47	38.85	40.23	42.99	49.60	52.91	54.01	56.76	63.66	65.04	73.03	74.68	1.200	40	48
31.68	33.06	34.44	35.82	37.19	39.95	46.56	49.87	50.98	53.73	60.62	62.00	69.99	71.65	1.200	50	60
24.08	25.46	26.84	28.22	29.60	32.36	38.97	42.28	43.38	46.14	53.03	54.41	62.41	64.06	1.200	75	90
38.03	39.41	40.79	42.16	43.54	46.30	52.91	56.22	57.32	60.07	66.96	68.34	76.33	77.99	1.207	29	35
36.79	38.17	39.54	40.92	42.30	45.06	51.67	54.98	56.08	58.83	65.72	67.10	75.09	76.75	1.212	33	40
38.30	39.68	41.06	42.44	43.81	46.57	53.18	56.49	57.59	60.35	67.24	68.62	76.61	78.27	1.214	28	34
35.54	36.92	38.30	39.68	41.05	43.81	50.43	53.74	54.84	57.59	64.48	65.86	73.85	75.51	1.216	37	45
37.06	38.44	39.82	41.20	42.57	45.33	51.94	55.25	56.35	59.11	66.00	67.38	75.37	77.02	1.219	32	39
37.34	38.72	40.09	41.47	42.85	45.61	52.22	55.53	56.63	59.38	66.27	67.65	75.64	77.30	1.226	31	38
36.10	37.48	38.85	40.23	41.61	44.37	50.98	54.29	55.39	58.14	65.03	66.41	74.40	76.06	1.229	35	43
34.85	36.23	37.61	38.99	40.36	43.13	49.74	53.05	54.15	56.90	63.79	65.17	73.16	74.82	1.231	39	48
37.61	38.99	40.37	41.75	43.12	45.88	52.49	55.80	56.90	59.66	66.55	67.93	75.92	77.58	1.233	30	37
33.61	34.99	36.37	37.75	39.12	41.88	48.49	51.80	52.90	55.66	62.55	63.93	71.92	73.58	1.233	43	53
37.89	39.27	40.64	42.02	43.40	46.16	52.77	56.08	57.18	59.94	66.83	68.21	76.20	77.85	1.241	29	36
32.92	34.30	35.67	37.06	38.43	41.19	47.80	51.11	52.21	54.97	61.86	63.24	71.23	72.89	1.244	45	56
38.16	39.54	40.92	42.30	43.67	46.43	53.05	56.36	57.46	60.21	67.10	68.48	76.47	78.13	1.250	28	35
36.92	38.30	39.68	41.06	42.43	45.19	51.80	55.11	56.21	58.97	65.86	67.24	75.23	76.89	1.250	32	40
35.68	37.06	38.44	39.82	41.19	43.95	50.56	53.87	54.97	57.73	64.62	66.00	73.99	75.64	1.250	36	45
34.44	35.82	37.19	38.57	39.95	42.71	49.32	52.63	53.73	56.49	63.38	64.76	72.75	74.40	1.250	40	50
31.95	33.33	34.71	36.09	37.46	40.22	46.84	50.15	51.25	54.00	60.89	62.27	70.27	71.92	1.250	48	60
28.22	29.60	30.97	32.36	33.73	36.49	43.11	46.42	47.52	50.28	57.17	58.55	66.54	68.20	1.250	60	75
37.20	38.58	39.95	41.33	42.71	45.47	52.08	55.39	56.49	59.25	66.14	67.52	75.51	77.16	1.258</		

QT Power Chain® II Carbon Drive Selection

14mm Pre-Engineered Drive Selection Table

Sprocket Combinations				Speed Ratio	Center Distance (in)													
DriveR		DriveN			14MPCC-984 P.L. 39.13 71 Teeth	14MPCC-1120 P.L. 44.09 80 Teeth	14MPCC-1190 P.L. 46.85 85 Teeth	14MPCC-1260 P.L. 49.61 90 Teeth	14MPCC-1400 P.L. 55.12 100 Teeth	14MPCC-1568 P.L. 61.73 112 Teeth	14MPCC-1610 P.L. 63.59 115 Teeth	14MPCC-1750 P.L. 68.90 125 Teeth	14MPCC-1890 P.L. 74.41 135 Teeth	14MPCC-1960 P.L. 77.17 140 Teeth	14MPCC-2100 P.L. 82.68 150 Teeth	14MPCC-2240 P.L. 88.19 160 Teeth	14MPCC-2310 P.L. 90.94 165 Teeth	
Number of Grooves	Pitch Diameter (inches)	Number of Grooves	Pitch Diameter (inches)															
53	9.299	67	11.755	1.264														
34	5.965	43	7.544	1.265	8.92	11.41	12.79	14.17	16.93	20.24	21.07	23.83	26.58	27.96	30.72	33.48	34.85	
30	5.263	38	6.667	1.267	10.17	12.66	14.04	15.42	18.18	21.48	22.31	25.07	27.83	29.21	31.96	34.72	36.09	
56	9.825	71	12.457	1.268														
71	12.457	90	15.790	1.268														
63	11.053	80	14.036	1.270														
29	5.088	37	6.492	1.276	10.45	12.93	14.31	15.69	18.45	21.76	22.59	25.35	28.10	29.48	32.24	34.99	36.37	
39	6.842	50	8.772	1.282		9.73	11.12	12.50	15.27	18.58	19.41	22.17	24.92	26.30	29.06	31.82	33.19	
28	4.912	36	6.316	1.286	10.72	13.21	14.59	15.97	18.73	22.04	22.87	25.62	28.38	29.76	32.51	35.27	36.64	
35	6.141	45	7.895	1.286	8.50	10.99	12.37	13.75	16.51	19.82	20.65	23.41	26.17	27.55	30.30	33.06	34.43	
31	5.439	40	7.018	1.290	9.75	12.24	13.62	15.00	17.76	21.07	21.90	24.65	27.41	28.79	31.55	34.30	35.68	
37	6.492	48	8.421	1.297		10.29	11.67	13.06	15.82	19.13	19.96	22.72	25.47	26.86	29.61	32.37	33.74	
30	5.263	39	6.842	1.300	10.03	12.51	13.90	15.28	18.04	21.34	22.17	24.93	27.69	29.07	31.82	34.58	35.95	
43	7.544	56	9.825	1.302			9.72	11.10	13.87	17.19	18.02	20.78	23.54	24.92	27.67	30.43	31.81	
33	5.790	43	7.544	1.303	9.05	11.54	12.92	14.31	17.06	20.37	21.20	23.96	26.72	28.10	30.86	33.61	34.99	
29	5.088	38	6.667	1.310	10.30	12.79	14.17	15.55	18.31	21.62	22.45	25.21	27.96	29.34	32.10	34.85	36.23	
48	8.421	63	11.053	1.313					12.19	15.51	16.35	19.11	21.87	23.25	26.01	28.77	30.15	
38	6.667	50	8.772	1.316		9.86	11.25	12.64	15.40	18.71	19.54	22.30	25.06	26.44	29.20	31.95	33.33	
28	4.912	37	6.492	1.321	10.58	13.06	14.45	15.83	18.59	21.89	22.72	25.48	28.24	29.62	32.37	35.13	36.50	
34	5.965	45	7.895	1.324	8.63	11.12	12.50	13.89	16.65	19.96	20.79	23.54	26.30	27.68	30.44	33.20	34.57	
40	7.018	53	9.299	1.325		9.16	10.55	11.94	14.70	18.01	18.85	21.60	24.36	25.74	28.50	31.26	32.63	
30	5.263	40	7.018	1.333	9.88	12.37	13.75	15.13	17.89	21.20	22.03	24.79	27.55	28.93	31.68	34.44	35.81	
36	6.316	48	8.421	1.333		10.42	11.80	13.19	15.95	19.26	20.09	22.85	25.61	26.99	29.75	32.50	33.88	
45	7.895	60	10.527	1.333				10.25	13.02	16.34	17.18	19.94	22.70	24.08	26.84	29.60	30.97	
60	10.527	80	14.036	1.333								15.06	17.83	19.21	21.98	24.74	26.12	
56	9.825	75	13.158	1.339						12.70	13.54	16.31	19.08	20.47	23.23	25.99	27.37	
50	8.772	67	11.755	1.340						14.67	15.50	18.27	21.03	22.41	25.17	27.93	29.31	
53	9.299	71	12.457	1.340						13.69	14.52	17.29	20.06	21.44	24.20	26.96	28.34	
67	11.755	90	15.790	1.343									15.44	16.83	19.60	22.37	23.75	
32	5.614	43	7.544	1.344	9.18	11.67	13.06	14.44	17.20	20.51	21.34	24.10	26.85	28.23	30.99	33.75	35.12	
29	5.088	39	6.842	1.345	10.16	12.64	14.03	15.41	18.17	21.48	22.31	25.06	27.82	29.20	31.96	34.71	36.09	
37	6.492	50	8.772	1.351		9.99	11.38	12.77	15.53	18.84	19.67	22.43	25.19	26.57	29.33	32.09	33.46	
28	4.912	38	6.667	1.357	10.43	12.92	14.30	15.69	18.45	21.75	22.58	25.34	28.10	29.48	32.23	34.99	36.37	
39	6.842	53	9.299	1.359		9.29	10.68	12.07	14.83	18.15	18.98	21.74	24.50	25.88	28.64	31.39	32.77	
33	5.790	45	7.895	1.364	8.75	11.25	12.63	14.02	16.78	20.09	20.92	23.68	26.44	27.82	30.57	33.33	34.71	
35	6.141	48	8.421	1.371	8.05	10.55	11.93	13.32	16.08	19.39	20.23	22.98	25.74	27.12	29.88	32.64	34.01	
29	5.088	40	7.018	1.379	10.01	12.50	13.88	15.27	18.03	21.34	22.17	24.92	27.68	29.06	31.82	34.57	35.95	
31	5.439	43	7.544	1.387	9.31	11.80	13.19	14.57	17.33	20.64	21.47	24.23	26.99	28.37	31.13	33.88	35.26	
36	6.316	50	8.772	1.389		10.12	11.51	12.90	15.66	18.98	19.81	22.57	25.33	26.71	29.46	32.22	33.60	
28	4.912	39	6.842	1.393	10.29	12.78	14.16	15.54	18.30	21.61	22.44	25.20	27.96	29.34	32.09	34.85	36.23	
38	6.667	53	9.299	1.395		9.41	10.81	12.19	14.96	18.28	19.11	21.87	24.63	26.01	28.77	31.53	32.90	
43	7.544	60	10.527	1.395				10.51	13.28	16.61	17.44	20.20	22.96	24.35	27.11	29.86	31.24	
48	8.421	67	11.755	1.396				11.59	14.93	18.26	19.09	21.85	24.61	25.99	28.75	31.51	32.88	
40	7.018	56	9.825	1.400			10.10	11.49	14.26	17.58	18.41	21.18	23.94	25.32	28.08	30.83	32.21	
45	7.895	63	11.053	1.400					12.58	15.90	16.74	19.50	22.27	23.65	26.41	29.17	30.55	
80	14.036	112	19.650	1.400														
32	5.614	45	7.895	1.406	8.88	11.38	12.76	14.15	16.91	20.22	21.05	23.81	26.57	27.95	30.71	33.47	34.84	
34	5.965	48	8.421	1.412	8.17	10.68	12.06	13.45	16.21	19.53	20.36	23.12	25.88	27.26	30.02	32.77	34.15	
53	9.299	75	13.158	1.415						13.08	13.92	16.70	19.47	20.86	23.62	26.39	27.77	
50	8.772	71	12.457	1.420						14.07	14.91	17.68	20.45	21.83	24.60	27.36	28.74	
28	4.912	40	7.018	1.429	10.14	12.63	14.02	15.40	18.16	21.47	22.30	25.06	27.82	29.20	31.95	34.71	36.08	
35	6.141	50	8.772	1.429		10.25	11.64	13.03	15.79	19.11	19.94	22.70	25.46	26.84	29.60	32.36	33.73	
56	9.825	80	14.036	1.429								12.78	15.57	18.34	19.73	22.50	25.27	26.65
63	11.053	90	15.790	1.429										15.95	17.34	20.12	22.89	24.27
37	6.492	53	9.299	1.432		9.54	10.93	12.32	15.09	18.41	19.24	22.00	24.76	26.15	28.90	31.66	33.04	
30	5.263	43	7.544	1.433	9.44	11.93	13.32	14.70	17.46	20.78	21.61	24.36	27.12	28.50	31.26	34.02	35.39	
39	6.842	56	9.825	1.436			10.23	11.62	14.39	17.71	18.54	21.31	24.07	25.45	28.21	30.97	32.35	
31	5.439	45	7.895	1.452	9.01	11.51	12.89	14.28	17.04	20.36	21.19	23.95	26.70	28.09	30.84	33.60	34.98	
33	5.790	48	8.421	1.455	8.30	10.80	12.19	13.58	16.35	19.66	20.49	23.25	26.01	27.39	30.15	32.91	34.28	
43	7.544	63	11.053	1.465				10.05	12.83	16.16	17.00	19.77	22.53	23.91	26.68	29.44	30.81	
34	5.965	50	8.772	1.471		10.38	11.77	13.16	15.92	19.24	20.07	22.83	25.59	26.97	29.73	32.49	33.87	
36	6.316	53	9.299	1.472		9.67	11.06	12.45	15.22	18.54	19.37	22.14	24.90	26.28	29.04	31.80	33.17	
38	6.667	56	9.825	1.474		8.95	10.35	11.75	14.52	17.84	18.68	21.44	24.20	25.58	28.34	31.10	32.48	
48	8.421	71	12.457	1.479						14.33	15.16	17.94	20.71	22.10	24.86	27.62	29.00	
29	5.088	43	7.544	1.483	9.56	12.06	13.45	14.83	17.60	20.91	21.74	24.50	27.26	28.64	31.39	34.15	35.53	
45	7.895	67	11.755	1.489					11.97	15.31	16.15	18.92	21.69	23.07	25.83	28.60	29.97	
75	13.158	112	19.650	1.493												18.03	19.43	
30	5.263	45	7.895	1.500	9.14	11.64	13.02	14.41	17.18	20.49	21.32	24.08	26.84	28.22	30.98	33.74	35.11	
32	5.614	48	8.421	1.500	8.42	10.93	12.32	13.71	16.48	19.79	20.62	23.38	26.14	27.53	30.28	33.04	34.42	
40	7.018	60	10.527	1.500			9.48	10.88	13.67	16.99	17.83	20.60	23.36	24.74	27.50	30.26	31.64	
50	8.772	75	13.158	1.500						13.46	14.30	17.09	19.86	21.25	24.02	26.78	28.16	
60	10.527	90	15.790	1.500								13.52	16.32					

QT Power Chain® II Carbon Drive Selection

14mm Pre-Engineered Drive Selection Table

Center Distance (in)															Speed Ratio	Sprocket Combinations	
14MPCC-2380 P.L. 93.70 170 Teeth	14MPCC-2450 P.L. 96.46 175 Teeth	14MPCC-2530 P.L. 99.21 180 Teeth	14MPCC-2590 P.L. 101.97 185 Teeth	14MPCC-2660 P.L. 104.72 190 Teeth	14MPCC-2800 P.L. 110.24 200 Teeth	14MPCC-3196 P.L. 123.46 224 Teeth	14MPCC-3304 P.L. 130.08 236 Teeth	14MPCC-3360 P.L. 132.28 240 Teeth	14MPCC-3500 P.L. 137.79 250 Teeth	14MPCC-3850 P.L. 151.57 275 Teeth	14MPCC-3920 P.L. 154.33 280 Teeth	14MPCC-4326 P.L. 170.31 309 Teeth	14MPCC-4410 P.L. 173.62 315 Teeth	DriveR		DriveN	
														Number of Grooves		Pitch Diameter (inches)	
30.29	31.67	33.05	34.43	35.80	38.56	45.18	48.49	49.59	52.34	59.24	60.62	68.61	70.26	1.264	53	67	
36.23	37.61	38.99	40.37	41.74	44.50	51.11	54.42	55.52	58.28	65.17	66.55	74.54	76.20	1.265	34	43	
37.47	38.85	40.23	41.61	42.98	45.74	52.36	55.67	56.77	59.52	66.41	67.79	75.78	77.44	1.267	30	38	
29.32	30.70	32.08	33.46	34.83	37.60	44.21	47.52	48.62	51.38	58.27	59.65	67.64	69.30	1.268	56	71	
24.61	25.99	27.37	28.75	30.13	32.89	39.51	42.82	43.92	46.68	53.57	54.95	62.95	64.60	1.268	71	90	
27.10	28.49	29.86	31.24	32.62	35.38	42.00	45.31	46.41	49.17	56.06	57.44	65.43	67.09	1.270	63	80	
37.75	39.13	40.50	41.88	43.26	46.02	52.63	55.94	57.04	59.80	66.69	68.07	76.06	77.71	1.276	29	37	
34.57	35.95	37.33	38.71	40.09	42.85	49.46	52.77	53.87	56.62	63.51	64.89	72.89	74.54	1.282	39	50	
38.03	39.41	40.78	42.16	43.54	46.30	52.91	56.22	57.32	60.07	66.96	68.34	76.33	77.99	1.286	28	36	
35.82	37.20	38.57	39.95	41.33	44.09	50.70	54.01	55.11	57.86	64.76	66.14	74.13	75.78	1.286	35	45	
37.06	38.44	39.81	41.19	42.57	45.33	51.94	55.25	56.35	59.11	66.00	67.38	75.37	77.02	1.290	31	40	
35.12	36.50	37.88	39.26	40.64	43.40	50.01	53.32	54.42	57.17	64.07	65.45	73.44	75.09	1.297	37	48	
37.33	38.71	40.09	41.47	42.85	45.61	52.22	55.53	56.63	59.38	66.27	67.65	75.64	77.30	1.300	30	39	
33.19	34.57	35.95	37.33	38.70	41.46	48.07	51.39	52.49	55.24	62.13	63.51	71.50	73.16	1.302	43	56	
36.37	37.75	39.12	40.50	41.88	44.64	51.25	54.56	55.66	58.42	65.31	66.69	74.68	76.33	1.303	33	43	
37.61	38.99	40.36	41.75	43.12	45.88	52.49	55.80	56.90	59.66	66.55	67.93	75.92	77.57	1.310	29	38	
31.53	32.91	34.28	35.67	37.04	39.80	46.42	49.73	50.83	53.58	60.48	61.86	69.85	71.50	1.313	48	63	
34.71	36.09	37.46	38.84	40.22	42.98	49.59	52.90	54.00	56.76	63.65	65.03	73.02	74.68	1.316	38	50	
37.89	39.27	40.64	42.02	43.40	46.16	52.77	56.08	57.18	59.93	66.82	68.20	76.19	77.85	1.321	28	37	
35.95	37.33	38.71	40.09	41.46	44.22	50.84	54.15	55.25	58.00	64.89	66.27	74.26	75.92	1.324	34	45	
34.02	35.40	36.77	38.15	39.53	42.29	48.90	52.21	53.31	56.07	62.96	64.34	72.33	73.99	1.325	40	53	
37.19	38.57	39.95	41.33	42.71	45.47	52.08	55.39	56.49	59.24	66.13	67.51	75.50	77.16	1.333	30	40	
35.26	36.64	38.02	39.40	40.77	43.53	50.14	53.46	54.56	57.31	64.20	65.58	73.57	75.23	1.333	36	48	
32.35	33.74	35.11	36.49	37.87	40.63	47.24	50.55	51.65	54.41	61.30	62.68	70.67	72.33	1.333	45	60	
27.50	28.88	30.26	31.64	33.02	35.79	42.40	45.71	46.82	49.57	56.47	57.85	65.84	67.50	1.333	60	80	
28.75	30.13	31.51	32.89	34.27	37.03	43.65	46.96	48.06	50.82	57.71	59.09	67.08	68.74	1.339	56	75	
30.69	32.07	33.45	34.83	36.21	38.97	45.58	48.90	50.00	52.75	59.64	61.02	69.02	70.67	1.340	50	67	
29.72	31.10	32.48	33.86	35.24	38.00	44.61	47.93	49.03	51.78	58.68	60.06	68.05	69.70	1.340	53	71	
25.14	26.52	27.90	29.28	30.66	33.43	40.05	43.36	44.46	47.22	54.11	55.49	63.49	65.14	1.343	67	90	
36.50	37.88	39.26	40.64	42.01	44.78	51.39	54.70	55.80	58.55	65.44	66.82	74.81	76.47	1.344	32	43	
37.47	38.85	40.23	41.61	42.98	45.74	52.35	55.66	56.76	59.52	66.41	67.79	75.78	77.44	1.345	29	39	
34.84	36.22	37.60	38.98	40.36	43.12	49.73	53.04	54.14	56.90	63.79	65.17	73.16	74.81	1.351	37	50	
37.75	39.13	40.50	41.88	43.26	46.02	52.63	55.94	57.04	59.79	66.69	68.07	76.06	77.71	1.357	28	38	
34.15	35.53	36.91	38.29	39.66	42.43	49.04	52.35	53.45	56.20	63.10	64.48	72.47	74.12	1.359	39	53	
36.09	37.47	38.84	40.22	41.60	44.36	50.97	54.28	55.38	58.14	65.03	66.41	74.40	76.05	1.364	33	45	
35.39	36.78	38.15	39.53	40.91	43.67	50.28	53.59	54.69	57.45	64.34	65.72	73.71	75.36	1.371	35	48	
37.33	38.71	40.09	41.47	42.84	45.60	52.21	55.52	56.62	59.38	66.27	67.65	75.64	77.30	1.379	29	40	
36.64	38.02	39.39	40.77	42.15	44.91	51.52	54.83	55.93	58.69	65.58	66.96	74.95	76.61	1.387	31	43	
34.98	36.36	37.73	39.12	40.49	43.25	49.86	53.18	54.28	57.03	63.92	65.30	73.29	74.95	1.389	36	50	
37.61	38.99	40.36	41.74	43.12	45.88	52.49	55.80	56.90	59.66	66.55	67.93	75.92	77.57	1.393	28	39	
34.29	35.67	37.04	38.42	39.80	42.56	49.17	52.48	53.58	56.34	63.23	64.61	72.60	74.26	1.395	38	53	
32.62	34.00	35.38	36.76	38.14	40.90	47.51	50.83	51.93	54.68	61.57	62.95	70.95	72.60	1.395	43	60	
30.96	32.34	33.72	35.10	36.48	39.24	45.85	49.17	50.27	53.02	59.92	61.30	69.29	70.94	1.396	48	67	
33.59	34.97	36.35	37.73	39.11	41.87	48.48	51.79	52.89	55.65	62.54	63.92	71.91	73.57	1.400	40	56	
31.93	33.31	34.69	36.07	37.44	40.21	46.82	50.13	51.23	53.99	60.88	62.26	70.26	71.91	1.400	45	63	
20.20	21.59	22.98	24.37	25.75	28.52	35.16	38.48	39.58	42.35	49.25	50.63	58.63	60.29	1.400	80	112	
36.22	37.60	38.98	40.36	41.73	44.50	51.11	54.42	55.52	58.27	65.17	66.55	74.54	76.19	1.406	32	45	
35.53	36.91	38.29	39.67	41.04	43.80	50.42	53.73	54.83	57.58	64.47	65.85	73.85	75.50	1.412	34	48	
29.15	30.53	31.91	33.29	34.67	37.43	44.05	47.36	48.46	51.22	58.12	59.50	67.49	69.15	1.415	53	75	
30.12	31.50	32.88	34.26	35.64	38.40	45.02	48.33	49.43	52.19	59.08	60.46	68.46	70.11	1.420	50	71	
37.47	38.85	40.22	41.60	42.98	45.74	52.35	55.66	56.76	59.52	66.41	67.79	75.78	77.44	1.429	28	40	
35.11	36.49	37.87	39.25	40.63	43.39	50.00	53.31	54.41	57.17	64.06	65.44	73.43	75.09	1.429	35	50	
28.03	29.41	30.79	32.18	33.55	36.32	42.94	46.25	47.35	50.11	57.01	58.39	66.38	68.04	1.429	56	80	
25.66	27.04	28.42	29.81	31.19	33.95	40.58	43.89	45.00	47.75	54.65	56.03	64.03	65.68	1.429	63	90	
34.42	35.80	37.18	38.56	39.93	42.69	49.31	52.62	53.72	56.48	63.37	64.75	72.74	74.39	1.432	37	53	
36.77	38.15	39.53	40.91	42.29	45.05	51.66	54.97	56.07	58.83	65.72	67.10	75.09	76.74	1.433	30	43	
33.73	35.11	36.48	37.87	39.24	42.00	48.62	51.93	53.03	55.78	62.68	64.06	72.05	73.70	1.436	39	56	
36.36	37.74	39.11	40.49	41.87	44.63	51.24	54.55	55.65	58.41	65.30	66.68	74.67	76.33	1.452	31	45	
35.66	37.05	38.42	39.80	41.18	43.94	50.55	53.86	54.96	57.72	64.61	65.99	73.98	75.64	1.455	33	48	
32.20	33.58	34.95	36.33	37.71	40.48	47.09	50.40	51.50	54.26	61.15	62.53	70.53	72.18	1.465	43	63	
35.25	36.63	38.00	39.39	40.76	43.52	50.14	53.45	54.55	57.30	64.20	65.58	73.57	75.23	1.471	34	50	
34.55	35.94	37.31	38.69	40.07	42.83	49.44	52.75	53.86	56.61	63.50	64.88	72.88	74.53	1.472	36	53	
33.86	35.24	36.62	38.00	39.38	42.14	48.75	52.06	53.16	55.92	62.81	64.19	72.18	73.84	1.474	38	56	
30.39	31.77	33.15	34.53	35.91	38.67	45.29	48.60	49.70	52.46	59.35	60.73	68.73	70.38	1.479	48	71	
36.91	38.29	39.66	41.05	42.42	45.18	51.79	55.11	56.21	58.96	65.85	67.23	75.22	76.88	1.483	29	43	
31.36	32.74	34.12	35.50	36.88	39.64	46.26	49.57	50.67	53.43	60.32	61.70	69.70	71.35	1.489	45	67	
20.83	22.23	23.61	25.01	26.39	29.17	35.82	39.14	40.24	43.01	49.91	51.29	59.30	60.96	1.493	75	112	
36.49	37.87	39.25	40.63	42.01	44.77	51.38	54.69	55.79	58.55	65.44	66.82	74.81	76.46	1.500	30	45	
35.80	37.18	38.56	39.94	41.31	44.07	50.69	54.00	55.10	57.85	64.75	66.13	74.12	75.77	1.50			

QT Power Chain® II Carbon Drive Selection

14mm Pre-Engineered Drive Selection Table

Sprocket Combinations				Speed Ratio	Center Distance (in)													
DriveR		DriveN			14MPCC-994 P.L. 39.13 71 Teeth	14MPCC-1120 P.L. 44.09 80 Teeth	14MPCC-1190 P.L. 46.85 85 Teeth	14MPCC-1260 P.L. 49.61 90 Teeth	14MPCC-1400 P.L. 55.12 100 Teeth	14MPCC-1568 P.L. 61.73 112 Teeth	14MPCC-1610 P.L. 63.59 115 Teeth	14MPCC-1750 P.L. 68.90 125 Teeth	14MPCC-1890 P.L. 74.41 135 Teeth	14MPCC-1960 P.L. 77.17 140 Teeth	14MPCC-2100 P.L. 82.68 150 Teeth	14MPCC-2240 P.L. 86.19 160 Teeth	14MPCC-2310 P.L. 90.94 165 Teeth	
Number of Grooves	Pitch Diameter (inches)	Number of Grooves	Pitch Diameter (inches)															
53	9.299	80	14.036	1.509							13.15	15.95	18.73	20.12	22.89	25.66	27.04	
35	6.141	53	9.299	1.514		9.79	11.19	12.58	15.35	18.67	19.50	22.27	25.03	26.41	29.17	31.93	33.31	
37	6.492	56	9.825	1.514		9.08	10.48	11.87	14.65	17.97	18.81	21.57	24.33	25.72	28.48	31.24	32.61	
33	5.790	50	8.772	1.515	7.99	10.50	11.89	13.28	16.05	19.37	20.20	22.96	25.72	27.11	29.87	32.62	34.00	
28	4.912	43	7.544	1.536	9.69	12.19	13.58	14.96	17.73	21.04	21.87	24.63	27.39	28.77	31.53	34.29	35.66	
39	6.842	60	10.527	1.538			9.61	11.01	13.80	17.12	17.96	20.73	23.49	24.88	27.64	30.40	31.78	
31	5.439	48	8.421	1.548	8.55	11.06	12.45	13.84	16.61	19.92	20.76	23.52	26.28	27.66	30.42	33.18	34.55	
29	5.088	45	7.895	1.552	9.26	11.76	13.15	14.54	17.31	20.62	21.45	24.21	26.97	28.35	31.11	33.87	35.25	
36	6.316	56	9.825	1.556		9.20	10.60	12.00	14.78	18.10	18.94	21.70	24.46	25.85	28.61	31.37	32.75	
43	7.544	67	11.755	1.558				12.22	15.56	18.40	19.18	21.95	23.33	26.10	28.86	30.24	32.02	
34	5.965	53	9.299	1.559		9.92	11.31	12.71	15.48	18.80	19.64	22.40	25.16	26.54	29.30	32.06	33.44	
32	5.614	50	8.772	1.563	8.11	10.63	12.02	13.41	16.18	19.50	20.33	23.10	25.86	27.24	30.00	32.76	34.13	
48	8.421	75	13.158	1.563				10.42	13.21	16.55	17.38	20.16	22.92	24.31	27.07	29.83	31.21	
40	7.018	63	11.053	1.575												18.53	19.93	
71	12.457	112	19.650	1.577												28.02	29.40	
45	7.895	71	12.457	1.578					11.35	14.70	15.54	18.32	21.10	22.48	25.25	28.02	29.40	
38	6.667	60	10.527	1.579			9.73	11.13	13.92	17.25	18.09	20.86	23.62	25.01	27.77	30.53	31.91	
30	5.263	48	8.421	1.600	8.67	11.19	12.58	13.97	16.74	20.06	20.89	23.65	26.41	27.79	30.55	33.31	34.69	
35	6.141	56	9.825	1.600		9.32	10.73	12.13	14.91	18.23	19.07	21.83	24.60	25.98	28.74	31.50	32.88	
50	8.772	80	14.036	1.600						12.68	13.52	16.32	19.11	20.50	23.28	26.05	27.43	
33	5.790	53	9.299	1.606		10.04	11.44	12.83	15.61	18.93	19.77	22.53	25.29	26.68	29.44	32.20	33.57	
28	4.912	45	7.895	1.607	9.39	11.89	13.28	14.67	17.44	20.75	21.58	24.35	27.11	28.49	31.25	34.00	35.38	
56	9.825	90	15.790	1.607								14.01	16.82	18.22	21.01	23.79	25.18	
31	5.439	50	8.772	1.613	8.23	10.75	12.15	13.54	16.31	19.63	20.47	23.23	25.99	27.37	30.13	32.89	34.27	
39	6.842	63	11.053	1.615				10.54	13.34	16.68	17.51	20.29	23.05	24.44	27.20	29.97	31.34	
37	6.492	60	10.527	1.622			9.85	11.26	14.05	17.38	18.22	20.99	23.75	25.14	27.90	30.66	32.04	
34	5.965	56	9.825	1.647		9.45	10.85	12.25	15.03	18.36	19.20	21.96	24.73	26.11	28.87	31.63	33.01	
43	7.544	71	12.457	1.651				11.59	14.95	18.31	19.15	21.91	24.68	26.06	28.82	31.58	32.96	
29	5.088	48	8.421	1.655	8.80	11.31	12.71	14.10	16.87	20.19	21.02	23.78	26.54	27.93	30.68	33.44	34.82	
32	5.614	53	9.299	1.656		10.16	11.57	12.96	15.74	19.06	19.90	22.66	25.43	26.81	29.57	32.33	33.71	
38	6.667	63	11.053	1.658				10.66	13.46	16.80	17.64	20.41	23.18	24.57	27.33	30.10	31.48	
30	5.263	50	8.772	1.667	8.36	10.88	12.28	13.67	16.44	19.76	20.60	23.36	26.12	27.51	30.27	33.03	34.40	
36	6.316	60	10.527	1.667			9.97	11.38	14.17	17.51	18.35	21.12	23.88	25.27	28.03	30.79	32.17	
45	7.895	75	13.158	1.667						14.08	14.93	17.72	20.50	21.89	24.66	27.43	28.81	
48	8.421	80	14.036	1.667						12.92	13.77	16.57	19.36	20.76	23.53	26.31	27.69	
67	11.755	112	19.650	1.672									16.19	17.58	19.02	20.42		
40	7.018	67	11.755	1.675					12.59	15.94	16.78	19.56	22.34	23.72	26.49	29.25	30.63	
33	5.790	56	9.825	1.697		9.57	10.98	12.38	15.16	18.49	19.33	22.09	24.86	26.24	29.01	31.77	33.14	
53	9.299	90	15.790	1.698								14.38	17.19	18.60	21.39	24.17	25.56	
37	6.492	63	11.053	1.703				10.78	13.59	16.93	17.77	20.54	23.31	24.70	27.47	30.23	31.61	
31	5.439	53	9.299	1.710			11.69	13.09	15.87	19.19	20.03	22.79	25.56	26.94	29.70	32.46	33.84	
28	4.912	48	8.421	1.714	8.92	11.44	12.83	14.22	17.00	20.32	21.15	23.91	26.68	28.06	30.82	33.58	34.95	
35	6.141	60	10.527	1.714			10.09	11.50	14.30	17.64	18.47	21.25	24.01	25.40	28.16	30.93	32.30	
39	6.842	67	11.755	1.718				12.72	16.07	19.41	20.25	23.01	25.78	27.16	29.93	32.70	34.07	
29	5.088	50	8.772	1.724	8.48	11.00	12.40	13.80	16.57	19.89	20.73	23.49	26.25	27.64	30.40	33.16	34.54	
43	7.544	75	13.158	1.744						14.33	15.18	17.97	20.76	22.15	24.92	27.69	29.08	
32	5.614	56	9.825	1.750		9.69	11.10	12.50	15.29	18.62	19.46	22.22	24.99	26.38	29.14	31.90	33.28	
36	6.316	63	11.053	1.750			9.49	10.91	13.71	17.06	17.90	20.67	23.44	24.83	27.60	30.36	31.74	
80	14.036	140	24.562	1.750					10.01	12.84	16.20	17.04	19.82	22.59	23.98	26.75	29.52	30.90
38	6.667	67	11.755	1.763				11.63	14.43	17.77	18.60	21.38	24.14	25.53	28.30	31.06	32.44	
34	5.965	60	10.527	1.765			10.22	11.63	14.43	17.77	18.60	21.38	24.14	25.53	28.30	31.06	32.44	
30	5.263	53	9.299	1.767		10.41	11.82	13.21	16.00	19.32	20.16	22.92	25.69	27.07	29.83	32.60	33.97	
40	7.018	71	12.457	1.775					11.95	15.33	16.17	18.96	21.74	23.13	25.90	28.67	30.05	
45	7.895	80	14.036	1.778						13.28	14.14	16.95	19.74	21.14	23.92	26.69	28.08	
63	11.053	112	19.650	1.778											16.67	19.51	20.91	
28	4.912	50	8.772	1.786	8.60	11.13	12.53	13.92	16.70	20.02	20.86	23.62	26.39	27.77	30.53	33.29	34.67	
35	6.141	63	11.053	1.800			9.61	11.03	13.84	17.19	18.02	20.80	23.57	24.96	27.73	30.49	31.87	
50	8.772	90	15.790	1.800								14.74	17.56	18.97	21.77	24.55	25.94	
31	5.439	56	9.825	1.806		9.81	11.22	12.63	15.42	18.75	19.58	22.35	25.12	26.51	29.27	32.03	33.41	
37	6.492	67	11.755	1.811				10.13	12.96	16.32	17.16	19.94	22.72	24.11	26.88	29.65	31.03	
33	5.790	60	10.527	1.818		8.91	10.34	11.75	14.55	17.89	18.73	21.50	24.27	25.66	28.43	31.19	32.57	
39	6.842	71	12.457	1.821				12.07	15.45	18.80	19.64	22.41	25.18	26.57	29.34	32.10	33.48	
29	5.088	53	9.299	1.828	7.99	10.53	11.94	13.34	16.12	19.45	20.29	23.05	25.82	27.20	29.97	32.73	34.11	
34	5.965	63	11.053	1.853			9.72	11.15	13.96	17.31	18.15	20.93	23.70	25.09	27.86	30.62	32.00	
43	7.544	80	14.036	1.860						13.52	14.38	17.19	19.99	21.39	24.17	26.95	28.33	
36	6.316	67	11.755	1.861				10.25	13.08	16.45	17.29	20.07	22.85	24.24	27.01	29.78	31.16	
30	5.263	56	9.825	1.867		9.93	11.34	12.75	15.54	18.88	19.71	22.48	25.25	26.64	29.40	32.16	33.54	
60	10.527	112	19.650	1.867											17.02	19.87	21.28	
75	13.158	140	24.562	1.867														
38	6.667	71	12.457	1.868					12.19	15.58	16.42	19.21	21.99	23.39	26.16	28.93	30.31	
Length Factor*					0.68	0.73	0.75	0.77	0.81	0.85	0.86	0.89	0.92	0.94	0.96	0.99	1.00	

* This length factor must be used to determine the proper belt width.

QT Power Chain® II Carbon Drive Selection

14mm Pre-Engineered Drive Selection Table

Center Distance (in)															Speed Ratio	Sprocket Combinations	
14MPCC-2380 P.L. 93.70 170 Teeth	14MPCC-2450 P.L. 96.46 175 Teeth	14MPCC-2530 P.L. 99.21 180 Teeth	14MPCC-2590 P.L. 101.97 185 Teeth	14MPCC-2660 P.L. 104.72 190 Teeth	14MPCC-2800 P.L. 110.24 200 Teeth	14MPCC-3196 P.L. 123.46 224 Teeth	14MPCC-3304 P.L. 130.08 236 Teeth	14MPCC-3360 P.L. 132.28 240 Teeth	14MPCC-3500 P.L. 137.79 250 Teeth	14MPCC-3850 P.L. 151.57 275 Teeth	14MPCC-3920 P.L. 154.33 280 Teeth	14MPCC-4326 P.L. 170.31 309 Teeth	14MPCC-4410 P.L. 173.62 315 Teeth	DriveR		DriveN	
														Number of Grooves		Pitch Diameter (inches)	
28.42	29.81	31.19	32.57	33.95	36.72	43.34	46.65	47.75	50.51	57.41	58.79	66.79	68.44	1.509	53	80	
34.69	36.07	37.45	38.83	40.20	42.96	49.58	52.89	53.99	56.75	63.64	65.02	73.01	74.67	1.514	35	53	
33.99	35.38	36.75	38.13	39.51	42.27	48.89	52.20	53.30	56.05	62.95	64.33	72.32	73.98	1.514	37	56	
35.38	36.76	38.14	39.52	40.90	43.66	50.27	53.58	54.68	57.44	64.33	65.71	73.70	75.36	1.515	33	50	
37.04	38.42	39.80	41.18	42.56	45.32	51.93	55.24	56.34	59.10	65.99	67.37	75.36	77.02	1.536	28	43	
33.16	34.54	35.92	37.30	38.67	41.44	48.05	51.37	52.47	55.22	62.12	63.50	71.49	73.15	1.538	39	60	
35.93	37.31	38.69	40.07	41.45	44.21	50.82	54.13	55.23	57.99	64.88	66.26	74.25	75.91	1.548	31	48	
36.63	38.01	39.38	40.76	42.14	44.90	51.51	54.83	55.93	58.68	65.57	66.95	74.95	76.60	1.552	29	45	
34.13	35.51	36.89	38.27	39.64	42.41	49.02	52.33	53.43	56.19	63.08	64.46	72.46	74.11	1.556	36	56	
31.62	33.01	34.38	35.77	37.14	39.91	46.52	49.84	50.94	53.70	60.59	61.97	69.97	71.62	1.558	43	67	
34.82	36.20	37.58	38.96	40.34	43.10	49.71	53.03	54.13	56.88	63.77	65.16	73.15	74.80	1.559	34	53	
35.52	36.90	38.27	39.65	41.03	43.79	50.41	53.72	54.82	57.57	64.47	65.85	73.84	75.49	1.563	32	50	
29.81	31.19	32.57	33.95	35.33	38.10	44.72	48.03	49.13	51.89	58.79	60.17	68.17	69.82	1.563	48	75	
32.59	33.98	35.35	36.74	38.11	40.88	47.49	50.81	51.91	54.66	61.56	62.94	70.93	72.59	1.575	40	63	
21.33	22.73	24.12	25.51	26.90	29.69	36.34	39.66	40.76	43.53	50.44	51.82	59.83	61.49	1.577	71	112	
30.78	32.16	33.54	34.93	36.30	39.07	45.69	49.00	50.10	52.86	59.76	61.14	69.13	70.79	1.578	45	71	
33.29	34.67	36.05	37.43	38.81	41.57	48.19	51.50	52.60	55.36	62.25	63.63	71.62	73.28	1.579	38	60	
36.07	37.45	38.83	40.21	41.58	44.34	50.96	54.27	55.37	58.13	65.02	66.40	74.39	76.05	1.600	30	48	
34.26	35.64	37.02	38.40	39.78	42.54	49.16	52.47	53.57	56.33	63.22	64.60	72.59	74.25	1.600	35	56	
28.82	30.20	31.58	32.97	34.35	37.11	43.74	47.05	48.15	50.91	57.81	59.19	67.19	68.85	1.600	50	80	
34.96	36.34	37.71	39.09	40.47	43.23	49.85	53.16	54.26	57.02	63.91	65.29	73.28	74.94	1.606	33	53	
36.76	38.14	39.52	40.90	42.28	45.04	51.65	54.96	56.06	58.82	65.71	67.09	75.08	76.74	1.607	28	45	
26.56	27.95	29.34	30.72	32.10	34.87	41.50	44.82	45.93	48.69	55.59	56.97	64.97	66.63	1.607	56	90	
35.65	37.03	38.41	39.79	41.16	43.93	50.54	53.85	54.95	57.71	64.60	65.98	73.97	75.63	1.613	31	50	
32.73	34.11	35.49	36.87	38.25	41.01	47.63	50.94	52.04	54.80	61.69	63.07	71.07	72.72	1.615	39	63	
33.42	34.80	36.18	37.56	38.94	41.70	48.32	51.63	52.73	55.49	62.39	63.77	71.76	73.42	1.622	37	60	
34.39	35.78	37.15	38.54	39.91	42.67	49.29	52.60	53.70	56.46	63.35	64.73	72.73	74.38	1.647	34	56	
31.04	32.43	33.81	35.19	36.57	39.33	45.96	49.27	50.37	53.13	60.03	61.41	69.40	71.06	1.651	43	71	
36.20	37.58	38.96	40.34	41.72	44.48	51.09	54.40	55.51	58.26	65.15	66.53	74.53	76.18	1.655	29	48	
35.09	36.47	37.85	39.23	40.61	43.37	49.98	53.30	54.40	57.15	64.05	65.43	73.42	75.07	1.656	32	53	
32.86	34.24	35.62	37.00	38.38	41.14	47.76	51.08	52.18	54.93	61.83	63.21	71.20	72.86	1.658	38	63	
35.78	37.17	38.54	39.92	41.30	44.06	50.68	53.99	55.09	57.85	64.74	66.12	74.11	75.77	1.667	30	50	
33.56	34.94	36.32	37.70	39.07	41.84	48.46	51.77	52.87	55.63	62.52	63.90	71.90	73.55	1.667	36	60	
30.20	31.59	32.96	34.35	35.73	38.50	45.12	48.43	49.54	52.29	59.19	60.57	68.57	70.23	1.667	45	75	
29.08	30.46	31.84	33.23	34.61	37.38	44.00	47.32	48.42	51.18	58.08	59.46	67.46	69.12	1.667	48	80	
21.83	23.23	24.62	26.02	27.41	30.20	36.85	40.18	41.29	44.05	50.97	52.35	60.36	62.02	1.672	67	112	
32.02	33.40	34.78	36.16	37.54	40.31	46.93	50.24	51.34	54.10	60.99	62.38	70.37	72.03	1.675	40	67	
34.53	35.91	37.29	38.67	40.05	42.81	49.42	52.74	53.84	56.60	63.49	64.87	72.86	74.52	1.697	33	56	
26.95	28.34	29.72	31.11	32.49	35.27	41.90	45.22	46.32	49.08	55.99	57.37	65.37	67.03	1.698	53	90	
32.99	34.37	35.75	37.14	38.51	41.28	47.90	51.21	52.31	55.07	61.96	63.34	71.34	72.99	1.703	37	63	
35.22	36.60	37.98	39.36	40.74	43.50	50.12	53.43	54.53	57.29	64.18	65.56	73.55	75.21	1.710	31	53	
36.34	37.72	39.09	40.48	41.85	44.61	51.23	54.54	55.64	58.40	65.29	66.67	74.66	76.32	1.714	28	48	
33.69	35.07	36.45	37.83	39.21	41.97	48.59	51.90	53.00	55.76	62.66	64.04	72.03	73.69	1.714	35	60	
32.15	33.53	34.91	36.30	37.67	40.44	47.06	50.37	51.48	54.23	61.13	62.51	70.51	72.16	1.718	39	67	
35.92	37.30	38.68	40.06	41.43	44.20	50.81	54.12	55.22	57.98	64.87	66.25	74.25	75.90	1.724	29	50	
30.46	31.85	33.23	34.61	35.99	38.76	45.38	48.70	49.80	52.56	59.46	60.84	68.84	70.49	1.744	43	75	
34.66	36.04	37.42	38.80	40.18	42.94	49.56	52.87	53.97	56.73	63.62	65.01	73.00	74.65	1.750	32	56	
33.12	34.51	35.89	37.27	38.65	41.41	48.03	51.34	52.44	55.20	62.10	63.48	71.47	73.13	1.750	36	63	
32.28	33.67	35.04	36.43	37.81	40.57	47.19	50.51	51.61	54.37	61.26	62.64	70.64	72.30	1.763	38	67	
33.82	35.20	36.58	37.96	39.34	42.11	48.72	52.04	53.14	55.90	62.79	64.17	72.17	73.82	1.765	34	60	
35.36	36.74	38.11	39.50	40.87	43.64	50.25	53.57	54.67	57.42	64.32	65.70	73.69	75.35	1.767	30	53	
31.44	32.82	34.20	35.59	36.96	39.73	46.35	49.67	50.77	53.53	60.43	61.81	69.81	71.46	1.775	40	71	
29.47	30.85	32.23	33.62	35.00	37.77	44.40	47.72	48.82	51.58	58.48	59.86	67.86	69.52	1.778	45	80	
22.32	23.73	25.12	26.52	27.91	30.70	37.37	40.70	41.80	44.57	51.49	52.88	60.89	62.55	1.778	63	112	
36.05	37.43	38.81	40.19	41.57	44.33	50.95	54.26	55.36	58.12	65.01	66.39	74.38	76.04	1.786	28	50	
33.26	34.64	36.02	37.40	38.78	41.54	48.16	51.48	52.58	55.34	62.23	63.61	71.61	73.26	1.800	35	63	
27.33	28.72	30.11	31.50	32.88	35.66	42.29	45.61	46.72	49.48	56.38	57.77	65.77	67.43	1.800	50	90	
34.79	36.18	37.55	38.93	40.31	43.08	49.69	53.01	54.11	56.86	63.76	65.14	73.13	74.79	1.806	31	56	
32.41	33.80	35.18	36.56	37.94	40.70	47.33	50.64	51.74	54.50	61.40	62.78	70.77	72.43	1.811	37	67	
33.95	35.34	36.71	38.10	39.47	42.24	48.86	52.17	53.27	56.03	62.93	64.31	72.30	73.96	1.818	33	60	
31.57	32.95	34.33	35.72	37.10	39.86	46.49	49.80	50.91	53.66	60.56	61.94	69.94	71.60	1.821	39	71	
35.49	36.87	38.25	39.63	41.01	43.77	50.39	53.70	54.80	57.56	64.45	65.83	73.83	75.48	1.828	29	53	
33.39	34.77	36.15	37.53	38.91	41.68	48.30	51.61	52.71	55.47	62.37	63.75	71.74	73.40	1.853	34	63	
29.72	31.11	32.49	33.88	35.26	38.03	44.66	47.98	49.08	51.84	58.75	60.13	68.13	69.79	1.860	43	80	
32.54	33.93	35.31	36.69	38.07	40.84	47.46	50.77	51.88	54.63	61.53	62.91	70.91	72.57	1.861	36	67	
34.93	36.31	37.69	39.07	40.45	43.21	49.83	53.14	54.24	57.00	63.89	65.28	73.27	74.93	1.867	30	56	
22.69	24.10	25.49	26.90	28.29	31.08	37.75	41.09	42.19	44.96	51.88	53.27	61.28	62.94	1.867	60	112	
31.70	33.08	34.46	35.85	37.23	40.00	46.62	49.94	51.04	53.80	60.70	62.08	70.08	71.73	1.868	75	140	
1.01	1.02	1.03	1.04	1.05	1.07	1.12	1.14	1.14	1.16	1.19	1.20	1.24	1.25	Length Factor*			

QT Power Chain® II Carbon Drive Selection

14mm Pre-Engineered Drive Selection Table

Sprocket Combinations				Speed Ratio	Center Distance (in)													
DriveR		DriveN			14MPCC-994 P.L. 39.13 71 Teeth	14MPCC-1120 P.L. 44.09 80 Teeth	14MPCC-1190 P.L. 46.85 85 Teeth	14MPCC-1260 P.L. 49.61 90 Teeth	14MPCC-1400 P.L. 55.12 100 Teeth	14MPCC-1568 P.L. 61.73 112 Teeth	14MPCC-1610 P.L. 63.59 115 Teeth	14MPCC-1750 P.L. 68.90 125 Teeth	14MPCC-1890 P.L. 74.41 135 Teeth	14MPCC-1960 P.L. 77.17 140 Teeth	14MPCC-2100 P.L. 82.68 150 Teeth	14MPCC-2240 P.L. 86.19 160 Teeth	14MPCC-2310 P.L. 90.94 165 Teeth	
Number of Grooves	Pitch Diameter (inches)	Number of Grooves	Pitch Diameter (inches)															
32	5.614	60	10.527	1.875														
40	7.018	75	13.158	1.875														
48	8.421	90	15.790	1.875														
28	4.912	53	9.299	1.893	8.11	10.66	12.06	13.46	16.25	19.58	20.42	23.18	25.95	27.34	30.10	32.86	34.24	
33	5.790	63	11.053	1.909			9.84	11.27	14.09	17.44	18.28	21.06	23.83	25.22	27.99	30.75	32.13	
35	6.141	67	11.755	1.914				10.37	13.21	16.57	17.41	20.20	22.98	24.37	27.14	29.91	31.29	
37	6.492	71	12.457	1.919					12.31	15.70	16.54	19.34	22.12	23.51	26.29	29.06	30.44	
39	6.842	75	13.158	1.923					11.41	14.82	15.67	18.47	21.26	22.66	25.44	28.21	29.59	
29	5.088	56	9.825	1.931		10.05	11.47	12.87	15.67	19.00	19.84	22.61	25.38	26.77	29.53	32.30	33.67	
31	5.439	60	10.527	1.935		9.15	10.58	11.99	14.80	18.15	18.98	21.76	24.53	25.92	28.69	31.45	32.83	
32	5.614	63	11.053	1.969			9.96	11.39	14.21	17.56	18.40	21.18	23.96	25.35	28.12	30.88	32.27	
34	5.965	67	11.755	1.971				10.49	13.33	16.70	17.54	20.33	23.11	24.50	27.27	30.04	31.42	
36	6.316	71	12.457	1.972					12.43	15.82	16.67	19.46	22.25	23.64	26.42	29.19	30.57	
71	12.457	140	24.562	1.972														
38	6.667	75	13.158	1.974					11.53	14.94	15.79	18.60	21.39	22.78	25.56	28.34	29.72	
28	4.912	56	9.825	2.000		10.17	11.59	13.00	15.79	19.13	19.97	22.74	25.51	26.90	29.66	32.43	33.81	
30	5.263	60	10.527	2.000		9.27	10.70	12.12	14.93	18.27	19.11	21.89	24.66	26.05	28.82	31.58	32.96	
40	7.018	80	14.036	2.000						13.88	14.74	17.56	20.37	21.77	24.55	27.33	28.72	
45	7.895	90	15.790	2.000								12.46	15.34	18.17	20.95	23.73	26.52	
56	9.825	112	19.650	2.000										17.50	20.35	23.15	25.95	
37	6.492	75	13.158	2.027						11.65	15.06	15.91	18.72	21.51	22.91	25.69	28.47	
35	6.141	71	12.457	2.029						12.55	15.94	16.79	19.59	22.37	23.77	26.55	29.32	
33	5.790	67	11.755	2.030					10.60	13.45	16.82	17.66	20.45	23.23	24.62	27.40	30.17	
31	5.439	63	11.053	2.032			10.08	11.51	14.33	17.69	18.53	21.31	24.09	25.48	28.25	31.02	32.40	
39	6.842	80	14.036	2.051						14.00	14.86	17.69	20.49	21.89	24.68	27.46	28.85	
29	5.088	60	10.527	2.069		9.38	10.82	12.24	15.05	18.40	19.24	22.02	24.79	26.18	28.95	31.71	33.09	
36	6.316	75	13.158	2.083						11.76	15.18	16.03	18.84	21.64	23.04	25.82	28.60	
34	5.965	71	12.457	2.088						12.67	16.07	16.91	19.71	22.50	23.90	26.67	29.45	
67	11.755	140	24.562	2.090														
43	7.544	90	15.790	2.093							12.69	15.57	18.42	19.83	22.64	25.43	26.83	
32	5.614	67	11.755	2.094				10.72	13.57	16.94	17.79	20.58	23.36	24.75	27.53	30.30	31.68	
30	5.263	63	11.053	2.100			10.20	11.63	14.45	17.81	18.66	21.44	24.22	25.61	28.38	31.15	32.53	
80	14.036	168	29.475	2.100														
38	6.667	80	14.036	2.105						14.12	14.98	17.81	20.61	22.02	24.81	27.59	28.98	
53	9.299	112	19.650	2.113									14.94	17.85	20.71	23.57	26.43	
28	4.912	60	10.527	2.143		9.50	10.94	12.36	15.17	18.53	19.37	22.15	24.92	26.31	29.08	31.85	33.23	
35	6.141	75	13.158	2.143						11.88	15.30	16.16	18.97	21.76	23.16	25.95	28.72	
33	5.790	71	12.457	2.152					9.91	12.79	16.19	17.04	19.84	22.63	24.02	26.80	29.58	
31	5.439	67	11.755	2.161			9.38	10.84	13.69	17.07	17.91	20.70	23.49	24.88	27.66	30.43	31.81	
37	6.492	80	14.036	2.162						14.24	15.10	17.93	20.74	22.14	24.93	27.72	29.10	
29	5.088	63	11.053	2.172		8.86	10.31	11.75	14.58	17.94	18.78	21.57	24.34	25.73	28.51	31.28	32.66	
34	5.965	75	13.158	2.206					12.00	15.42	16.28	19.09	21.89	23.29	26.07	28.85	30.24	
32	5.614	71	12.457	2.219				10.02	12.91	16.31	17.16	19.96	22.75	24.15	26.93	29.70	31.09	
36	6.316	80	14.036	2.222					10.88	14.36	15.22	18.05	20.86	22.27	25.06	27.84	29.23	
63	11.053	140	24.562	2.222														
30	5.263	67	11.755	2.233			9.50	10.95	13.81	17.19	18.04	20.83	23.62	25.01	27.78	30.56	31.94	
50	8.772	112	19.650	2.240										15.28	18.20	21.07	22.49	
75	13.158	168	29.475	2.240														
28	4.912	63	11.053	2.250		8.98	10.43	11.87	14.70	18.06	18.91	21.69	24.47	25.86	28.64	31.41	32.79	
40	7.018	90	15.790	2.250						12.15	13.04	15.93	18.78	20.19	23.01	25.81	27.20	
80	14.036	180	31.580	2.250														
33	5.790	75	13.158	2.273						12.11	15.54	16.40	19.21	22.01	23.41	26.20	28.98	
35	6.141	80	14.036	2.286						11.00	14.48	15.34	18.17	20.99	22.39	25.18	27.97	
31	5.439	71	12.457	2.290				10.14	13.03	16.43	17.28	20.09	22.88	24.28	27.06	29.83	31.22	
39	6.842	90	15.790	2.308						12.26	13.15	16.05	18.90	20.32	23.13	25.93	27.33	
29	5.088	67	11.755	2.310			9.61	11.07	13.93	17.31	18.16	20.96	23.74	25.14	27.91	30.69	32.07	
48	8.421	112	19.650	2.333										15.51	18.43	21.30	22.73	
60	10.527	140	24.562	2.333														
32	5.614	75	13.158	2.344						12.23	15.67	16.52	19.34	22.14	23.54	26.33	29.11	
34	5.965	80	14.036	2.353						11.11	14.59	15.46	18.29	21.11	22.51	25.31	28.10	
71	12.457	168	29.475	2.366														
30	5.263	71	12.457	2.367				10.25	13.15	16.56	17.40	20.21	23.01	24.40	27.18	29.96	31.35	
38	6.667	90	15.790	2.368						12.38	13.27	16.16	19.02	20.44	23.25	26.06	27.45	
28	4.912	67	11.755	2.393			9.73	11.19	14.05	17.44	18.28	21.08	23.87	25.26	28.04	30.81	32.20	
75	13.158	180	31.580	2.400														
31	5.439	75	13.158	2.419					12.35	15.78	16.64	19.46	22.26	23.66	26.45	29.23	30.62	
33	5.790	80	14.036	2.424					11.22	14.71	15.57	18.42	21.23	22.64	25.43	28.22	29.61	
37	6.492	90	15.790	2.432						12.49	13.38	16.28	19.14	20.56	23.38	26.18	27.58	
29	5.088	71	12.457	2.448				10.36	13.27	16.68	17.53	20.34	23.13	24.53	27.31	30.09	31.47	
45	7.895	112	19.650	2.489									14.35	15.85	18.78	21.66	23.08	
30	5.263	75	13.158	2.500					12.46	15.90	16.76	19.58	22.39	23.79	26.58	29.36	30.75	
32	5.614	80	14.036	2.500					11.34	14.83	15.69	18.54	21.36	22.76	25.56	28.35	29.74	
36	6.316	90	15.790	2.500						12.60	13.49	16.40	19.26	20.68	23.50	26.31	27.70	
56	9.825	140	24.562	2.500														
80	14.036	200	35.089	2.500														

Length Factor*

0.68 0.73 0.75 0.77 0.81 0.85 0.86 0.89 0.92 0.94 0.96 0.99 1.00

* This length factor must be used to determine the proper belt width.

QT Power Chain® II Carbon Drive Selection

14mm Pre-Engineered Drive Selection Table

Center Distance (in)														Speed Ratio	Sprocket Combinations	
14MPCC-2380 P.L. 93.70 170 Teeth	14MPCC-2450 P.L. 96.46 175 Teeth	14MPCC-2530 P.L. 99.21 180 Teeth	14MPCC-2590 P.L. 101.97 185 Teeth	14MPCC-2660 P.L. 104.72 190 Teeth	14MPCC-2800 P.L. 110.24 200 Teeth	14MPCC-3196 P.L. 123.46 224 Teeth	14MPCC-3304 P.L. 130.08 236 Teeth	14MPCC-3360 P.L. 132.28 240 Teeth	14MPCC-3500 P.L. 137.79 250 Teeth	14MPCC-3850 P.L. 151.57 275 Teeth	14MPCC-3920 P.L. 154.33 280 Teeth	14MPCC-4326 P.L. 170.31 309 Teeth	14MPCC-4410 P.L. 173.62 315 Teeth		DriveR	DriveN
															Number of Grooves	Pitch Diameter (inches)
34.08	35.47	36.85	38.23	39.61	42.37	48.99	52.31	53.41	56.16	63.06	64.44	72.44	74.09	1.875	32	60
30.85	32.24	33.62	35.00	36.38	39.15	45.78	49.10	50.20	52.96	59.86	61.24	69.24	70.90	1.875	40	75
27.59	28.98	30.37	31.76	33.14	35.92	42.56	45.88	46.98	49.74	56.65	58.03	66.04	67.69	1.875	48	90
35.62	37.00	38.38	39.76	41.14	43.90	50.52	53.83	54.93	57.69	64.59	65.97	73.96	75.62	1.893	28	53
33.52	34.90	36.28	37.66	39.04	41.81	48.43	51.74	52.85	55.60	62.50	63.88	71.88	73.53	1.909	33	63
32.67	34.06	35.44	36.82	38.20	40.97	47.59	50.91	52.01	54.77	61.67	63.05	71.04	72.70	1.914	35	67
31.83	33.21	34.59	35.98	37.36	40.13	46.75	50.07	51.17	53.93	60.83	62.21	70.21	71.87	1.919	37	71
30.98	32.37	33.75	35.14	36.52	39.29	45.91	49.23	50.33	53.09	59.99	61.38	69.38	71.03	1.923	39	75
35.06	36.44	37.82	39.20	40.58	43.34	49.96	53.27	54.38	57.13	64.03	65.41	73.40	75.06	1.931	29	56
34.22	35.60	36.98	38.36	39.74	42.50	49.12	52.44	53.54	56.30	63.19	64.58	72.57	74.23	1.935	31	60
33.65	35.03	36.41	37.80	39.18	41.94	48.56	51.88	52.98	55.74	62.64	64.02	72.01	73.67	1.969	32	63
32.80	34.19	35.57	36.95	38.33	41.10	47.72	51.04	52.14	54.90	61.80	63.18	71.18	72.84	1.971	34	67
31.96	33.34	34.72	36.11	37.49	40.26	46.89	50.20	51.30	54.06	60.96	62.35	70.34	72.00	1.972	36	71
		19.59	21.03	22.46	25.32	32.08	35.45	36.56	39.35	46.31	47.71	55.75	57.42	1.972	71	140
31.11	32.50	33.88	35.27	36.65	39.42	46.05	49.36	50.47	53.23	60.13	61.51	69.51	71.17	1.974	38	75
35.19	36.57	37.95	39.33	40.71	43.48	50.10	53.41	54.51	57.27	64.16	65.54	73.54	75.20	2.000	28	56
34.35	35.73	37.11	38.49	39.87	42.64	49.26	52.57	53.67	56.43	63.33	64.71	72.71	74.36	2.000	30	60
30.11	31.50	32.88	34.27	35.65	38.42	45.06	48.38	49.48	52.24	59.15	60.53	68.53	70.19	2.000	40	80
27.97	29.36	30.75	32.14	33.53	36.30	42.95	46.27	47.37	50.14	57.05	58.43	66.44	68.09	2.000	45	90
23.18	24.59	25.99	27.39	28.79	31.59	38.26	41.60	42.71	45.48	52.40	53.79	61.81	63.47	2.000	56	112
31.24	32.63	34.01	35.39	36.78	39.55	46.18	49.49	50.60	53.36	60.26	61.64	69.64	71.30	2.027	37	75
32.09	33.47	34.86	36.24	37.62	40.39	47.02	50.33	51.44	54.20	61.10	62.48	70.48	72.13	2.029	35	71
32.94	34.32	35.70	37.09	38.46	41.23	47.86	51.17	52.28	55.03	61.93	63.31	71.31	72.97	2.030	33	67
33.78	35.17	36.54	37.93	39.31	42.07	48.70	52.01	53.11	55.87	62.77	64.15	72.15	73.80	2.032	31	63
30.24	31.63	33.01	34.40	35.78	38.55	45.19	48.51	49.61	52.37	59.28	60.66	68.66	70.32	2.051	39	80
34.48	35.86	37.24	38.63	40.00	42.77	49.39	52.71	53.81	56.57	63.46	64.84	72.84	74.50	2.069	29	60
31.37	32.76	34.14	35.53	36.91	39.68	46.31	49.63	50.73	53.49	60.39	61.78	69.78	71.43	2.083	36	75
32.22	33.60	34.99	36.37	37.75	40.52	47.15	50.47	51.57	54.33	61.23	62.61	70.61	72.27	2.088	34	71
	18.59	20.05	21.50	22.94	25.80	32.58	35.94	37.06	39.86	46.82	48.22	56.27	57.93	2.090	67	140
28.22	29.62	31.00	32.40	33.78	36.56	43.21	46.53	47.63	50.40	57.31	58.69	66.70	68.36	2.093	43	90
33.07	34.45	35.83	37.22	38.60	41.36	47.99	51.31	52.41	55.17	62.07	63.45	71.45	73.10	2.094	32	67
33.91	35.30	36.68	38.06	39.44	42.21	48.83	52.15	53.25	56.01	62.90	64.29	72.28	73.94	2.100	30	63
						26.42	29.86	31.00	33.84	40.88	42.28	50.39	52.06	2.100	80	168
30.37	31.76	33.14	34.53	35.91	38.68	45.32	48.64	49.74	52.51	59.41	60.79	68.80	70.45	2.105	38	80
23.54	24.95	26.36	27.76	29.16	31.96	38.65	41.98	43.09	45.87	52.79	54.18	62.20	63.86	2.113	53	112
34.61	35.99	37.37	38.76	40.14	42.90	49.52	52.84	53.94	56.70	63.60	64.98	72.98	74.63	2.143	28	60
31.50	32.89	34.27	35.65	37.04	39.81	46.44	49.76	50.86	53.62	60.53	61.91	69.91	71.57	2.143	35	75
32.35	33.73	35.12	36.50	37.88	40.65	47.28	50.60	51.70	54.46	61.36	62.75	70.75	72.40	2.152	33	71
33.20	34.58	35.96	37.35	38.73	41.50	48.12	51.44	52.54	55.30	62.20	63.58	71.58	73.24	2.161	31	67
30.49	31.88	33.27	34.66	36.04	38.81	45.45	48.77	49.87	52.64	59.54	60.93	68.93	70.59	2.162	37	80
34.04	35.43	36.81	38.19	39.57	42.34	48.96	52.28	53.38	56.14	63.04	64.42	72.42	74.07	2.172	29	63
31.63	33.01	34.40	35.78	37.17	39.94	46.57	49.89	50.99	53.76	60.66	62.04	70.04	71.70	2.206	34	75
32.48	33.86	35.25	36.63	38.01	40.78	47.41	50.73	51.83	54.59	61.50	62.88	70.88	72.54	2.219	32	71
30.62	32.01	33.40	34.79	36.17	38.94	45.58	48.90	50.01	52.77	59.68	61.06	69.06	70.72	2.222	36	80
	19.05	20.51	21.97	23.41	26.27	33.07	36.44	37.56	40.36	47.33	48.72	56.78	58.45	2.222	63	140
33.33	34.71	36.09	37.48	38.86	41.63	48.25	51.57	52.67	55.43	62.33	63.72	71.72	73.37	2.233	30	67
23.91	25.32	26.73	28.14	29.54	32.34	39.03	42.37	43.48	46.25	53.18	54.57	62.60	64.26	2.240	50	112
						27.00	30.46	31.60	34.44	41.50	42.90	51.02	52.69	2.240	75	168
34.17	35.56	36.94	38.32	39.70	42.47	49.10	52.41	53.51	56.27	63.17	64.55	72.55	74.21	2.250	28	63
28.60	30.00	31.38	32.78	34.16	36.95	43.60	46.92	48.03	50.79	57.70	59.09	67.10	68.76	2.250	40	90
						24.30	27.82	28.98	31.85	38.97	40.38	48.53	50.22	2.250	80	180
31.75	33.14	34.53	35.91	37.30	40.07	46.70	50.02	51.13	53.89	60.79	62.17	70.18	71.83	2.273	33	75
30.75	32.14	33.53	34.91	36.30	39.07	45.71	49.03	50.14	52.90	59.81	61.19	69.20	70.85	2.286	35	80
32.61	33.99	35.38	36.76	38.14	40.91	47.54	50.86	51.97	54.73	61.63	63.01	71.01	72.67	2.290	31	71
28.73	30.12	31.51	32.91	34.29	37.07	43.73	47.05	48.16	50.92	57.84	59.22	67.23	68.89	2.308	39	90
33.46	34.84	36.22	37.61	38.99	41.76	48.39	51.70	52.81	55.57	62.47	63.85	71.85	73.51	2.310	29	67
24.15	25.56	26.97	28.38	29.78	32.59	39.28	42.62	43.73	46.51	53.44	54.83	62.86	64.52	2.333	48	112
	19.39	20.85	22.31	23.76	26.63	33.43	36.81	37.93	40.73	47.71	49.10	57.16	58.83	2.333	60	140
31.88	33.27	34.66	36.04	37.43	40.20	46.83	50.15	51.26	54.02	60.92	62.31	70.31	71.97	2.344	32	75
30.88	32.27	33.65	35.04	36.43	39.20	45.84	49.17	50.27	53.03	59.94	61.32	69.33	70.99	2.353	34	80
						27.47	30.93	32.07	34.92	41.99	43.39	51.52	53.19	2.366	71	168
32.73	34.12	35.51	36.89	38.27	41.05	47.68	51.00	52.10	54.86	61.76	63.15	71.15	72.80	2.367	30	71
28.85	30.25	31.64	33.03	34.42	37.20	43.85	47.18	48.29	51.05	57.97	59.35	67.36	69.02	2.368	38	90
33.59	34.97	36.35	37.74	39.12	41.89	48.52	51.84	52.94	55.70	62.60	63.98	71.98	73.64	2.393	28	67
						24.87	28.40	29.56	32.44	39.57	40.99	49.15	50.84	2.400	75	180
32.01	33.40	34.78	36.17	37.56	40.33	46.97	50.29	51.39	54.15	61.06	62.44	70.44	72.10	2.419	31	75
31.00	32.40	33.78	35.17	36.56	39.33	45.97	49.30	50.40	53.16	60.07	61.46	69.46	71.12	2.424	33	80
28.98	30.37	31.76	33.16	34.55	37.33	43.98	47.31	48.42	51.18	58.10	59.48	67.49	69.15	2.432	37	90
32.86	34.25	35.63	37.02	38.40	41.18	47.81	51.13	52.23	54.99	61.90	63.28	71.28	72.94	2.448	29	71
24.51	25.93	27.34	28.75	30.15	32.96	39.66	43.00	44.11	46.89	53.83	55.22	63.25	64.91	2.489	45	112
32.1																

QT Power Chain® II Carbon Drive Selection

14mm Pre-Engineered Drive Selection Table

Sprocket Combinations				Speed Ratio	Center Distance (in)												
DriveR		DriveN			14MPCC-994 P.L. 39.13 71 Teeth	14MPCC-1120 P.L. 44.09 80 Teeth	14MPCC-1190 P.L. 46.85 85 Teeth	14MPCC-1260 P.L. 49.61 90 Teeth	14MPCC-1400 P.L. 55.12 100 Teeth	14MPCC-1568 P.L. 61.73 112 Teeth	14MPCC-1610 P.L. 63.39 115 Teeth	14MPCC-1750 P.L. 68.90 125 Teeth	14MPCC-1890 P.L. 74.41 135 Teeth	14MPCC-1960 P.L. 77.17 140 Teeth	14MPCC-2100 P.L. 82.68 150 Teeth	14MPCC-2240 P.L. 86.19 160 Teeth	14MPCC-2310 P.L. 90.94 165 Teeth
Number of Grooves	Pitch Diameter (inches)	Number of Grooves	Pitch Diameter (inches)														
67	11.755	168	29.475	2.507													
71	12.457	180	31.580	2.535													
28	4.912	71	12.457	2.536				10.48	13.38	16.80	17.65	20.46	23.26	24.65	27.44	30.22	31.60
35	6.141	90	15.790	2.571						12.71	13.61	16.52	19.38	20.80	23.62	26.43	27.83
31	5.439	80	14.036	2.581					11.45	14.95	15.81	18.66	21.48	22.88	25.68	28.47	29.86
29	5.088	75	13.158	2.586					12.58	16.02	16.88	19.71	22.51	23.91	26.70	29.49	30.88
43	7.544	112	19.650	2.605									14.57	16.07	19.01	21.89	23.32
53	9.299	140	24.562	2.642													
34	5.965	90	15.790	2.647						12.83	13.72	16.63	19.50	20.92	23.74	26.55	27.95
30	5.263	80	14.036	2.667					11.56	15.06	15.93	18.78	21.60	23.01	25.81	28.60	29.99
63	11.053	168	29.475	2.667													
75	13.158	200	35.089	2.667													
28	4.912	75	13.158	2.679					12.69	16.14	17.00	19.83	22.64	24.04	26.83	29.62	31.00
67	11.755	180	31.580	2.687													
33	5.790	90	15.790	2.727						12.94	13.83	16.75	19.62	21.04	23.87	26.68	28.07
29	5.088	80	14.036	2.759					11.67	15.18	16.05	18.90	21.72	23.13	25.93	28.73	30.12
40	7.018	112	19.650	2.800									14.90	16.41	19.36	22.25	23.68
50	8.772	140	24.562	2.800													17.47
60	10.527	168	29.475	2.800													
80	14.036	224	39.300	2.800													
32	5.614	90	15.790	2.813						13.05	13.95	16.87	19.73	21.16	23.99	26.80	28.20
71	12.457	200	35.089	2.817													
28	4.912	80	14.036	2.857					11.78	15.30	16.17	19.02	21.85	23.25	26.06	28.85	30.24
63	11.053	180	31.580	2.857													
39	6.842	112	19.650	2.872									15.01	16.52	19.47	22.36	23.80
31	5.439	90	15.790	2.903						13.16	14.06	16.98	19.85	21.28	24.11	26.92	28.32
48	8.421	140	24.562	2.917													17.69
38	6.667	112	19.650	2.947									15.12	16.63	19.58	22.48	23.91
67	11.755	200	35.089	2.985													
75	13.158	224	39.300	2.987													
30	5.263	90	15.790	3.000						13.27	14.17	17.10	19.97	21.40	24.23	27.05	28.45
56	9.825	168	29.475	3.000													
60	10.527	180	31.580	3.000													
37	6.492	112	19.650	3.027									15.23	16.74	19.70	22.60	24.03
29	5.088	90	15.790	3.103						13.38	14.28	17.21	20.09	21.52	24.35	27.17	28.57
36	6.316	112	19.650	3.111									15.34	16.85	19.81	22.72	24.15
45	7.895	140	24.562	3.111													18.01
71	12.457	224	39.300	3.155													
53	9.299	168	29.475	3.170													
63	11.053	200	35.089	3.175													
35	6.141	112	19.650	3.200									15.45	16.97	19.93	22.83	24.27
28	4.912	90	15.790	3.214						13.49	14.40	17.33	20.21	21.64	24.47	27.29	28.69
56	9.825	180	31.580	3.214													
43	7.544	140	24.562	3.256													16.65
34	5.965	112	19.650	3.294									15.56	17.08	20.04	22.95	24.39
60	10.527	200	35.089	3.333													
67	11.755	224	39.300	3.343													
50	8.772	168	29.475	3.360													
33	5.790	112	19.650	3.394									15.66	17.19	20.16	23.07	24.50
53	9.299	180	31.580	3.396													
32	5.614	112	19.650	3.500									15.77	17.30	20.27	23.18	24.62
40	7.018	140	24.562	3.500												16.97	18.55
48	8.421	168	29.475	3.500													
63	11.053	224	39.300	3.556													
56	9.825	200	35.089	3.571													
39	6.842	140	24.562	3.590													17.08
50	8.772	180	31.580	3.600													18.66
31	5.439	112	19.650	3.613									15.88	17.41	20.38	23.30	24.74
38	6.667	140	24.562	3.684												17.18	18.77
30	5.263	112	19.650	3.733									15.99	17.52	20.50	23.41	24.85
45	7.895	168	29.475	3.733													
60	10.527	224	39.300	3.733													
48	8.421	180	31.580	3.750													
53	9.299	200	35.089	3.774													
37	6.492	140	24.562	3.784													17.29
29	5.088	112	19.650	3.862									12.91	16.10	17.63	20.61	23.53
36	6.316	140	24.562	3.889												17.39	18.98
43	7.544	168	29.475	3.907													
28	4.912	112	19.650	4.000									13.01	16.21	17.74	20.72	23.65
35	6.141	140	24.562	4.000												17.50	19.09
45	7.895	180	31.580	4.000													
50	8.772	200	35.089	4.000													
56	9.825	224	39.300	4.000													

Length Factor*

0.68 0.73 0.75 0.77 0.81 0.85 0.86 0.89 0.92 0.94 0.96 0.99 1.00

* This length factor must be used to determine the proper belt width.

QT Power Chain® II Carbon Drive Selection

14mm Pre-Engineered Drive Selection Table

Center Distance (in)														Speed Ratio	Sprocket Combinations	
14MPCC-2380 P.L. 93.70 170 Teeth	14MPCC-2450 P.L. 96.46 175 Teeth	14MPCC-2530 P.L. 99.21 180 Teeth	14MPCC-2590 P.L. 101.97 185 Teeth	14MPCC-2660 P.L. 104.72 190 Teeth	14MPCC-2800 P.L. 110.24 200 Teeth	14MPCC-3196 P.L. 123.46 224 Teeth	14MPCC-3304 P.L. 130.08 236 Teeth	14MPCC-3360 P.L. 132.28 240 Teeth	14MPCC-3500 P.L. 137.79 250 Teeth	14MPCC-3850 P.L. 151.57 275 Teeth	14MPCC-3920 P.L. 154.33 280 Teeth	14MPCC-4326 P.L. 170.31 309 Teeth	14MPCC-4410 P.L. 173.62 315 Teeth		DriveR	DriveN
															Number of Grooves	Pitch Diameter (inches)
						27.93	31.40	32.54	35.40	42.48	43.89	52.02	53.70	2.507	67	168
						25.32	28.85	30.02	32.91	40.05	41.47	49.64	51.33	2.535	71	180
						47.94	51.26	52.36	55.12	62.03	63.41	71.41	73.07	2.536	28	71
						44.24	47.57	48.68	51.44	58.36	59.75	67.76	69.42	2.571	35	90
						46.23	49.56	50.66	53.43	60.34	61.72	69.73	71.38	2.581	31	80
						47.23	50.55	51.65	54.41	61.32	62.70	70.71	72.37	2.586	29	75
						39.91	43.26	44.37	47.15	54.09	55.48	63.51	65.17	2.605	43	112
						34.28	37.67	38.79	41.60	48.59	49.99	58.06	59.73	2.642	53	140
						44.37	47.70	48.81	51.57	58.49	59.88	67.89	69.55	2.647	34	90
						46.36	49.69	50.79	53.56	60.47	61.85	69.86	71.52	2.667	30	80
						28.39	31.87	33.02	35.88	42.96	44.37	52.51	54.19	2.667	63	168
						21.26	24.67	25.89	28.90	36.22	37.66	45.95	47.65	2.667	75	200
						47.36	50.68	51.78	54.55	61.45	62.84	70.84	72.50	2.679	28	75
						25.76	29.31	30.48	33.38	40.53	41.95	50.14	51.82	2.687	67	180
						44.50	47.83	48.94	51.70	58.62	60.01	68.02	69.68	2.727	33	90
						46.49	49.82	50.92	53.69	60.60	61.98	69.99	71.65	2.759	29	80
						40.29	43.64	44.75	47.53	54.47	55.86	63.90	65.56	2.800	40	112
						34.65	38.04	39.16	41.97	48.97	50.36	58.44	60.11	2.800	50	140
						28.74	32.22	33.37	36.23	43.33	44.74	52.89	54.57	2.800	60	168
											31.31	32.81	41.32	2.800	80	224
						44.63	47.96	49.07	51.83	58.75	60.14	68.15	69.81	2.813	32	90
						25.10	26.33	29.34	36.68	43.83	46.43	54.83	56.49	2.817	71	200
						46.62	49.95	51.05	53.82	60.73	62.12	70.12	71.78	2.857	28	80
						26.21	29.77	30.94	33.84	41.01	42.43	50.63	52.32	2.857	63	180
						40.41	43.76	44.88	47.66	54.60	55.99	64.03	65.69	2.872	39	112
						44.76	48.09	49.19	51.96	58.88	60.27	68.29	69.95	2.903	31	90
						34.89	38.28	39.41	42.22	49.22	50.62	58.69	60.36	2.917	48	140
						40.54	43.89	45.00	47.78	54.73	56.12	64.16	65.82	2.947	38	112
							25.53	26.76	29.79	37.15	38.60	46.91	48.61	2.985	67	200
											31.86	33.37	41.90	2.987	75	224
						44.89	48.22	49.32	52.09	59.02	60.40	68.42	70.08	3.000	30	90
						29.19	32.69	33.84	36.71	43.81	45.23	53.38	55.06	3.000	56	168
						26.54	30.11	31.28	34.19	41.37	42.79	50.99	52.68	3.000	60	180
						40.66	44.02	45.13	47.91	54.86	56.25	64.29	65.95	3.027	37	112
						45.01	48.35	49.45	52.22	59.15	60.53	68.55	70.21	3.103	29	90
						40.79	44.14	45.25	48.04	54.99	56.38	64.42	66.08	3.111	36	112
						35.25	38.65	39.77	42.59	49.59	50.99	59.07	60.75	3.111	45	140
											32.30	33.81	42.36	3.155	71	224
						22.35	29.54	33.03	34.19	37.06	44.18	45.59	53.75	3.170	53	168
							25.97	27.20	30.23	37.61	39.06	47.38	49.09	3.175	63	200
						40.91	44.27	45.38	48.16	55.11	56.50	64.55	66.21	3.200	35	112
						45.14	48.48	49.58	52.35	59.28	60.66	68.68	70.34	3.214	28	90
						26.99	30.56	31.74	34.65	41.84	43.27	51.48	53.17	3.214	56	180
						35.49	38.89	40.02	42.83	49.84	51.24	59.33	61.00	3.256	43	140
						41.04	44.39	45.51	48.29	55.24	56.63	64.67	66.34	3.294	34	112
							26.29	27.53	30.57	37.95	39.41	47.74	49.45	3.333	60	200
											32.74	34.26	42.82	3.343	67	224
						22.67	29.88	33.38	34.54	37.41	44.54	45.96	54.12	3.360	50	168
						41.16	44.52	45.63	48.42	55.37	56.76	64.80	66.47	3.394	33	112
						27.32	30.90	32.08	35.00	42.20	43.63	51.85	53.54	3.396	53	180
						41.29	44.64	45.76	48.54	55.50	56.89	64.93	66.60	3.500	32	112
						35.85	39.25	40.38	43.20	50.21	51.61	59.71	61.38	3.500	40	140
						30.11	33.61	34.77	37.65	44.78	46.20	54.37	56.06	3.500	48	168
											33.18	34.70	43.28	3.556	63	224
						22.87	26.72	27.96	31.01	38.41	39.87	48.22	49.93	3.571	56	200
						35.97	39.37	40.50	43.32	50.34	51.74	59.83	61.51	3.590	39	140
						27.65	31.24	32.42	35.35	42.56	43.99	52.21	53.91	3.600	50	180
						41.41	44.77	45.88	48.67	55.63	57.02	65.06	66.73	3.613	31	112
						36.09	39.49	40.62	43.44	50.46	51.86	59.96	61.63	3.684	38	140
						41.54	44.90	46.01	48.80	55.75	57.15	65.19	66.86	3.733	30	112
						30.45	33.96	35.12	38.00	45.14	46.56	54.74	56.42	3.733	45	168
											25.60	35.03	43.63	3.733	60	224
						27.87	31.47	32.65	35.58	42.79	44.22	52.45	54.15	3.750	48	180
						23.18	27.04	28.28	31.34	38.76	40.22	48.57	50.29	3.774	53	200
						36.21	39.62	40.74	43.56	50.59	51.99	60.08	61.76	3.784	37	140
						41.66	45.02	46.14	48.92	55.88	57.27	65.32	66.98	3.862	29	112
						36.33	39.74	40.87	43.69	50.71	52.11	60.21	61.88	3.889	36	140
						30.67	34.19	35.35	38.24	45.38	46.80	54.98	56.67	3.907	43	168
						41.79	45.15	46.26	49.05	56.01	57.40	65.45	67.11	4.000	28	112
						36.45	39.86	40.99	43.81	50.83	52.24	60.34	62.01	4.000	35	140
						28.20	31.81	32.99	35.92	43.15	44.58	52.82	54.51	4.000	45	180
						23.49	27.36	28.61	31.67	39.10	40.56	48.93	50.64	4.000	50	200
									26.01	33.95	35.47	44.09	45.84	4.000	56	224
1.01	1.02	1.03	1.04	1.05	1.07	1.12	1.14	1.14	1.16	1.19	1.20	1.24	1.25	Length Factor*		

* This length factor must be used to determine the proper belt width.

Center distance is greater than eight times the small sprocket and the large sprocket is not flanged. See Engineering Section for details.

QT Power Chain® II Carbon Drive Selection

14mm Pre-Engineered Drive Selection Table

Sprocket Combinations				Speed Ratio	Center Distance (in)												
DriveR		DriveN			14MPCC-994 P.L. 39.13 71 Teeth	14MPCC-1120 P.L. 44.09 80 Teeth	14MPCC-1190 P.L. 46.85 85 Teeth	14MPCC-1260 P.L. 49.61 90 Teeth	14MPCC-1400 P.L. 55.12 100 Teeth	14MPCC-1568 P.L. 61.73 112 Teeth	14MPCC-1610 P.L. 63.39 115 Teeth	14MPCC-1750 P.L. 68.90 125 Teeth	14MPCC-1890 P.L. 74.41 135 Teeth	14MPCC-1960 P.L. 77.17 140 Teeth	14MPCC-2100 P.L. 82.68 150 Teeth	14MPCC-2240 P.L. 86.19 160 Teeth	14MPCC-2310 P.L. 90.94 165 Teeth
Number of Grooves	Pitch Diameter (inches)	Number of Grooves	Pitch Diameter (inches)														
34	5.965	140	24.562	4.118													
48	8.421	200	35.089	4.167													
43	7.544	180	31.580	4.186													
40	7.018	168	29.475	4.200													
53	9.299	224	39.300	4.226													
33	5.790	140	24.562	4.242												17.60	19.19
39	6.842	168	29.475	4.308													
32	5.614	140	24.562	4.375												17.81	19.41
38	6.667	168	29.475	4.421													
45	7.895	200	35.089	4.444													
50	8.772	224	39.300	4.480													
40	7.018	180	31.580	4.500													
31	5.439	140	24.562	4.516													
37	6.492	168	29.475	4.541												17.91	19.51
39	6.842	180	31.580	4.615													
43	7.544	200	35.089	4.651													
30	5.263	140	24.562	4.667												18.02	19.62
36	6.316	168	29.475	4.667													
48	8.421	224	39.300	4.667													
38	6.667	180	31.580	4.737													
35	6.141	168	29.475	4.800													
29	5.088	140	24.562	4.828												18.12	19.73
37	6.492	180	31.580	4.865													
34	5.965	168	29.475	4.941													
45	7.895	224	39.300	4.978													
28	4.912	140	24.562	5.000												18.23	19.83
36	6.316	180	31.580	5.000													
40	7.018	200	35.089	5.000													
33	5.790	168	29.475	5.091													
39	6.842	200	35.089	5.128													
35	6.141	180	31.580	5.143													
43	7.544	224	39.300	5.209													
32	5.614	168	29.475	5.250													
38	6.667	200	35.089	5.263													
34	5.965	180	31.580	5.294													
37	6.492	200	35.089	5.405													
31	5.439	168	29.475	5.419													
33	5.790	180	31.580	5.455													
36	6.316	200	35.089	5.556													
30	5.263	168	29.475	5.600													
40	7.018	224	39.300	5.600													
32	5.614	180	31.580	5.625													
35	6.141	200	35.089	5.714													
39	6.842	224	39.300	5.744													
29	5.088	168	29.475	5.793													
31	5.439	180	31.580	5.806													
34	5.965	200	35.089	5.882													
38	6.667	224	39.300	5.895													
28	4.912	168	29.475	6.000													
30	5.263	180	31.580	6.000													
37	6.492	224	39.300	6.054													
33	5.790	200	35.089	6.061													
29	5.088	180	31.580	6.207													
36	6.316	224	39.300	6.222													
32	5.614	200	35.089	6.250													
35	6.141	224	39.300	6.400													
28	4.912	180	31.580	6.429													
31	5.439	200	35.089	6.452													
34	5.965	224	39.300	6.588													
30	5.263	200	35.089	6.667													
33	5.790	224	39.300	6.788													
29	5.088	200	35.089	6.897													
32	5.614	224	39.300	7.000													
28	4.912	200	35.089	7.143													
31	5.439	224	39.300	7.226													
30	5.263	224	39.300	7.467													
29	5.088	224	39.300	7.724													
28	4.912	224	39.300	8.000													
Length Factor*					0.68	0.73	0.75	0.77	0.81	0.85	0.86	0.89	0.92	0.94	0.96	0.99	1.00

* This length factor must be used to determine the proper belt width.

QT Power Chain® II Carbon Drive Selection

14mm Pre-Engineered Drive Selection Table

Center Distance (in)														Speed Ratio	Sprocket Combinations	
14MPCC-2380 P.L. 93.70 170 Teeth	14MPCC-2450 P.L. 96.46 175 Teeth	14MPCC-2530 P.L. 99.21 180 Teeth	14MPCC-2590 P.L. 101.97 185 Teeth	14MPCC-2660 P.L. 104.72 190 Teeth	14MPCC-2800 P.L. 110.24 200 Teeth	14MPCC-3196 P.L. 123.46 224 Teeth	14MPCC-3304 P.L. 130.03 236 Teeth	14MPCC-3360 P.L. 132.28 240 Teeth	14MPCC-3500 P.L. 137.79 250 Teeth	14MPCC-3850 P.L. 151.57 275 Teeth	14MPCC-3920 P.L. 154.33 280 Teeth	14MPCC-4326 P.L. 170.31 309 Teeth	14MPCC-4410 P.L. 173.62 315 Teeth		DriveR	DriveN
															Number of Grooves	Pitch Diameter (inches)
20.75	22.28	23.79	25.28	26.75	29.68	36.57	39.98	41.11	43.93	50.96	52.36	60.46	62.14	4.118	34	140
						23.70	27.58	28.82	31.89	39.33	40.79	49.16	50.88	4.167	48	200
			18.87	20.55	20.81	28.42	32.03	33.21	36.15	43.38	44.82	53.06	54.76	4.186	43	180
					23.75	31.01	34.54	35.70	38.59	45.74	47.16	55.35	57.04	4.200	40	168
20.86	22.39	23.90	25.39	26.86	29.79	36.68	40.10	41.23	44.05	51.08	52.49	60.59	62.26	4.226	53	224
			18.97	20.65	23.86	31.13	34.65	35.81	38.71	45.86	47.28	55.47	57.16	4.242	33	140
20.97	22.50	24.01	25.50	26.98	29.91	36.80	40.22	41.35	44.17	51.21	52.61	60.71	62.39	4.308	39	168
			19.08	20.75	23.97	31.24	34.77	35.93	38.82	45.98	47.40	55.60	57.29	4.375	32	140
						24.01	27.90	29.15	32.22	39.67	41.14	49.52	51.24	4.421	38	168
					21.12	28.75	32.37	33.55	36.49	43.73	45.17	53.42	55.12	4.444	45	200
21.08	22.61	24.12	25.62	27.09	30.02	36.92	40.34	41.47	44.30	51.33	52.73	60.84	62.51	4.480	50	224
			19.18	20.86	24.07	31.35	34.88	36.04	38.94	46.10	47.52	55.72	57.41	4.500	40	180
					21.23	28.86	32.48	33.66	36.61	43.85	45.29	53.54	55.24	4.516	31	140
						24.21	28.11	29.36	32.44	39.90	41.37	49.75	51.47	4.541	37	168
21.19	22.72	24.23	25.73	27.21	30.14	37.04	40.46	41.59	44.42	51.45	52.86	60.97	62.64	4.615	43	200
			19.28	20.96	24.18	31.46	35.00	36.16	39.06	46.22	47.64	55.84	57.53	4.667	30	140
									26.84	34.82	36.35	45.00	46.76	4.667	36	168
					21.33	28.97	32.59	33.78	36.72	43.97	45.41	53.66	55.36	4.737	48	224
21.30	22.83	24.34	19.38	21.06	24.29	31.58	35.11	36.27	39.17	46.34	47.76	55.96	57.65	4.800	35	168
			25.84	27.32	30.25	37.16	40.58	41.71	44.54	51.58	52.98	61.09	62.77	4.828	29	140
					21.43	29.08	32.70	33.89	36.84	44.09	45.52	53.78	55.48	4.865	37	180
			19.48	21.17	24.39	31.69	35.23	36.39	39.29	46.46	47.88	56.08	57.78	4.911	34	168
21.40	22.94	24.45	25.95	27.43	30.37	37.28	40.70	41.83	44.66	51.70	53.10	61.22	62.89	4.978	45	224
					21.53	29.19	32.81	34.00	36.95	44.20	45.64	53.90	55.61	5.000	28	140
						24.52	28.43	29.68	32.77	40.24	41.71	50.11	51.83	5.000	36	180
			19.58	21.27	24.50	31.80	35.34	36.50	39.40	46.57	48.00	56.21	57.90	5.000	40	200
						24.62	28.53	29.79	32.88	40.35	41.82	50.22	51.95	5.128	39	200
					21.63	29.30	32.93	34.11	37.06	44.32	45.76	54.02	55.73	5.143	35	180
									27.35	35.37	36.90	45.57	47.33	5.209	43	224
			19.69	21.38	24.61	31.91	35.45	36.62	39.52	46.69	48.12	56.33	58.02	5.250	32	168
						24.73	28.64	29.90	32.99	40.47	41.94	50.34	52.06	5.263	38	200
					21.74	29.41	33.04	34.23	37.18	44.44	45.88	54.15	55.85	5.294	34	180
						24.83	28.75	30.01	33.10	40.58	42.05	50.46	52.18	5.405	37	200
		18.00	19.79	21.48	24.71	32.03	35.57	36.73	39.64	46.81	48.24	56.45	58.14	5.419	31	168
					21.84	29.52	33.15	34.34	37.29	44.56	45.99	54.27	55.97	5.455	33	180
						24.93	28.85	30.11	33.21	40.70	42.17	50.58	52.30	5.556	36	200
		18.10	19.89	21.58	24.82	32.14	35.68	36.85	39.75	46.93	48.36	56.57	58.26	5.600	30	168
									24.13	27.66	29.12	35.69	37.23	5.600	40	224
					21.94	29.62	33.26	34.45	37.41	44.67	46.11	54.39	56.09	5.625	32	180
						25.03	28.96	30.22	33.32	40.81	42.28	50.69	52.42	5.714	35	200
									24.23	27.76	29.22	35.80	37.34	5.744	39	224
		18.19	19.99	21.69	24.93	32.25	35.80	36.96	39.87	47.05	48.48	56.69	58.39	5.793	29	168
					22.04	29.73	33.37	34.56	37.52	44.79	46.23	54.51	56.21	5.806	31	180
						25.14	29.07	30.33	33.43	40.92	42.39	50.81	52.53	5.882	34	200
									24.32	27.86	29.32	35.91	37.45	5.895	38	224
		18.29	20.09	21.79	25.03	32.36	35.91	37.08	39.99	47.17	48.60	56.81	58.51	6.000	28	168
					22.14	29.84	33.48	34.68	37.63	44.91	46.35	54.63	56.33	6.000	30	180
									24.42	27.96	29.42	35.92	37.56	6.054	37	224
						25.24	29.17	30.43	33.53	41.03	42.51	50.93	52.65	6.061	33	200
					22.25	29.95	33.59	34.79	37.75	45.02	46.46	54.75	56.45	6.207	29	180
									24.52	28.07	29.53	35.81	37.37	6.222	36	224
						25.34	29.28	30.54	33.64	41.15	42.62	51.04	52.77	6.250	32	200
									24.62	28.17	29.63	35.93	37.48	6.400	35	224
				18.70	22.35	30.06	33.71	34.90	37.86	45.14	46.58	54.87	56.57	6.429	28	180
						25.44	29.38	30.65	33.75	41.26	42.74	51.16	52.89	6.452	31	200
									23.19	24.72	26.24	32.54	34.06	6.588	34	224
						25.55	29.49	30.76	33.86	41.37	42.85	51.28	53.01	6.667	30	200
									23.28	24.82	26.34	32.64	34.16	6.788	33	224
						25.65	29.59	30.86	33.97	41.49	42.96	51.40	53.12	6.897	29	200
									23.38	24.92	26.44	32.74	34.26	7.000	32	224
						25.75	29.70	30.97	34.08	41.60	43.08	51.51	53.24	7.143	28	200
									23.48	25.02	26.54	32.82	34.34	7.226	31	224
						23.58	25.11	26.63	28.58	36.66	38.21	46.93	48.70	7.467	30	224
									23.67	25.21	26.73	32.92	34.44	7.724	29	224
						23.77	25.31	26.83	28.88	36.99	38.54	47.27	49.04	8.000	28	224

* This length factor must be used to determine the proper belt width.

Center distance is greater than eight times the small sprocket and the large sprocket is not fitting. See Engineering Section for details.

QT Power Chain® II Carbon Drive Selection

8mm Basic Horsepower Tables

Horsepower Rating for 12mm Wide

RPM of Faster Shaft	Rated Horsepower for Small Sprocket (Number of Grooves and Pitch Diameter Inches)																			
	22 2.206	25 2.506	26 2.607	27 2.707	28 2.807	29 2.907	30 3.008	31 3.108	32 3.208	33 3.308	34 3.409	35 3.509	36 3.609	37 3.709	38 3.810	39 3.910	40 4.010	41 4.110	42 4.211	45 4.511
Slower	Refer to selection program : http://beltdrive-selector.tbwoods.com																			
88	0.72	0.87	0.92	0.97	1.02	1.07	1.12	1.17	1.21	1.26	1.31	1.36	1.41	1.46	1.51	1.56	1.61	1.66	1.71	1.85
100	0.79	0.96	1.02	1.08	1.13	1.19	1.24	1.30	1.35	1.41	1.46	1.52	1.57	1.63	1.68	1.74	1.79	1.85	1.90	2.06
117	0.90	1.10	1.16	1.23	1.29	1.35	1.42	1.48	1.55	1.61	1.67	1.74	1.80	1.86	1.93	1.99	2.05	2.11	2.18	2.36
175	1.27	1.55	1.64	1.73	1.82	1.91	2.01	2.10	2.19	2.28	2.37	2.46	2.55	2.64	2.73	2.82	2.91	3.00	3.09	3.36
200	1.42	1.73	1.84	1.94	2.05	2.15	2.25	2.36	2.46	2.56	2.66	2.77	2.87	2.97	3.07	3.18	3.28	3.38	3.48	3.78
233	1.62	1.98	2.10	2.22	2.34	2.45	2.57	2.69	2.81	2.93	3.05	3.16	3.28	3.40	3.52	3.63	3.75	3.87	3.98	4.33
300	2.01	2.46	2.61	2.76	2.91	3.06	3.21	3.36	3.51	3.66	3.81	3.96	4.10	4.25	4.40	4.55	4.69	4.84	4.99	5.43
350	2.29	2.82	2.99	3.16	3.34	3.51	3.68	3.85	4.02	4.20	4.37	4.54	4.71	4.88	5.05	5.22	5.39	5.55	5.72	6.23
400	2.57	3.17	3.36	3.56	3.75	3.95	4.14	4.34	4.53	4.72	4.92	5.11	5.30	5.49	5.69	5.88	6.07	6.26	6.45	7.02
500	3.12	3.85	4.09	4.33	4.57	4.81	5.05	5.29	5.53	5.76	6.00	6.24	6.47	6.71	6.95	7.18	7.41	7.65	7.88	8.58
575	3.53	4.35	4.63	4.90	5.17	5.44	5.72	5.99	6.26	6.53	6.80	7.07	7.34	7.60	7.87	8.14	8.41	8.67	8.94	9.73
600	3.66	4.52	4.80	5.09	5.37	5.65	5.94	6.22	6.50	6.78	7.06	7.34	7.62	7.90	8.18	8.46	8.73	9.01	9.29	10.1
690	4.13	5.11	5.43	5.76	6.08	6.40	6.72	7.04	7.36	7.68	8.00	8.32	8.64	8.95	9.27	9.59	9.90	10.2	10.5	11.5
700	4.18	5.17	5.50	5.83	6.16	6.48	6.81	7.14	7.46	7.78	8.11	8.43	8.75	9.07	9.39	9.71	10.0	10.4	10.7	11.6
800	4.70	5.82	6.19	6.56	6.93	7.30	7.67	8.04	8.40	8.77	9.14	9.50	9.86	10.2	10.6	11.0	11.3	11.7	12.0	13.1
870	5.05	6.26	6.67	7.07	7.47	7.86	8.27	8.66	9.06	9.45	9.85	10.2	10.6	11.0	11.4	11.8	12.2	12.6	13.0	14.1
900	5.20	6.45	6.87	7.28	7.69	8.11	8.52	8.93	9.34	9.74	10.2	10.6	11.0	11.4	11.8	12.2	12.6	13.0	13.4	14.6
1000	5.70	7.08	7.54	7.99	8.45	8.90	9.36	9.81	10.3	10.7	11.2	11.6	12.1	12.5	12.9	13.4	13.8	14.3	14.7	16.0
1160	6.49	8.07	8.59	9.12	9.64	10.2	10.7	11.2	11.7	12.2	12.7	13.3	13.8	14.3	14.8	15.3	15.8	16.3	16.8	18.3
1750	9.27	11.6	12.3	13.1	13.9	14.6	15.4	16.1	16.9	17.7	18.4	19.2	19.9	20.7	21.4	22.1	22.9	23.6	24.4	26.6
2000	10.4	13.0	13.9	14.7	15.6	16.5	17.3	18.2	19.0	19.9	20.7	21.6	22.4	23.3	24.1	25.0	25.8	26.6	27.5	29.9
3000	14.7	18.5	19.8	21.0	22.3	23.5	24.8	26.0	27.2	28.5	29.7	30.9	32.1	33.4	34.6	35.8	37.0	38.2	39.4	43.0
3450	16.6	20.9	22.3	23.8	25.2	26.6	28.0	29.4	30.8	32.2	33.6	35.0	36.3	37.7	39.1	40.5	41.8	43.2	44.5	48.6
4000	18.8	23.7	25.4	27.0	28.6	30.2	31.8	33.4	35.0	36.6	38.2	39.8	41.4	42.9	44.5	46.0	47.6	49.1	50.7	55.2
4500	20.8	26.3	28.1	29.9	31.7	33.5	35.2	37.0	38.8	40.5	42.3	44.0	45.8	47.5	49.2	50.9	52.7	54.4	56.1	61.1
5000	22.7	28.7	30.7	32.7	34.6	36.6	38.6	40.5	42.4	44.4	46.3	48.2	50.1	52.0	53.9	55.7	57.6	59.4	61.3	66.8
5500	24.6	31.1	33.3	35.4	37.5	39.7	41.8	43.9	46.0	48.1	50.2	52.2	54.3	56.3	58.4	60.4	62.4	64.4	66.4	72.2

Horsepower Rating for 21mm Wide

RPM of Faster Shaft	Rated Horsepower for Small Sprocket (Number of Grooves and Pitch Diameter Inches)																			
	22 2.206	25 2.506	26 2.607	27 2.707	28 2.807	29 2.907	30 3.008	31 3.108	32 3.208	33 3.308	34 3.409	35 3.509	36 3.609	37 3.709	38 3.810	39 3.910	40 4.010	41 4.110	42 4.211	45 4.511
Slower	Refer to selection program : http://beltdrive-selector.tbwoods.com																			
88	1.25	1.52	1.60	1.69	1.78	1.86	1.95	2.04	2.13	2.21	2.30	2.38	2.47	2.56	2.64	2.73	2.81	2.90	2.98	3.24
100	1.39	1.69	1.78	1.88	1.98	2.08	2.17	2.27	2.37	2.46	2.56	2.66	2.75	2.85	2.95	3.04	3.14	3.23	3.33	3.61
117	1.58	1.92	2.04	2.15	2.26	2.37	2.48	2.59	2.71	2.82	2.93	3.04	3.15	3.26	3.37	3.48	3.59	3.70	3.81	4.14
175	2.22	2.71	2.87	3.03	3.19	3.35	3.51	3.67	3.83	3.99	4.15	4.31	4.47	4.62	4.78	4.94	5.10	5.26	5.41	5.88
200	2.49	3.03	3.22	3.40	3.58	3.76	3.94	4.12	4.30	4.48	4.66	4.84	5.02	5.20	5.38	5.56	5.73	5.91	6.09	6.62
233	2.83	3.46	3.67	3.88	4.09	4.30	4.51	4.71	4.92	5.13	5.33	5.54	5.74	5.95	6.15	6.36	6.56	6.77	6.97	7.58
300	3.52	4.31	4.58	4.84	5.10	5.36	5.62	5.89	6.15	6.40	6.67	6.93	7.18	7.44	7.70	7.96	8.21	8.47	8.73	9.49
350	4.02	4.93	5.24	5.54	5.84	6.14	6.44	6.74	7.04	7.34	7.64	7.94	8.24	8.54	8.83	9.13	9.43	9.72	10.0	10.9
400	4.51	5.54	5.89	6.23	6.57	6.91	7.25	7.59	7.93	8.27	8.61	8.94	9.28	9.62	9.95	10.3	10.6	11.0	11.3	12.3
500	5.47	6.74	7.16	7.58	8.00	8.42	8.84	9.25	9.67	10.1	10.5	10.9	11.3	11.7	12.2	12.6	13.0	13.4	13.8	15.0
575	6.17	7.61	8.10	8.58	9.05	9.53	10.0	10.5	11.0	11.4	11.9	12.4	12.8	13.3	13.8	14.2	14.7	15.2	15.6	17.0
600	6.40	7.90	8.41	8.90	9.40	9.89	10.4	10.9	11.4	11.9	12.4	12.8	13.3	13.8	14.3	14.8	15.3	15.8	16.3	17.7
690	7.23	8.94	9.51	10.1	10.6	11.2	11.8	12.3	12.9	13.4	14.0	14.6	15.1	15.7	16.2	16.8	17.3	17.9	18.4	20.1
700	7.32	9.05	9.63	10.2	10.8	11.3	11.9	12.5	13.1	13.6	14.2	14.8	15.3	15.9	16.4	17.0	17.6	18.1	18.7	20.3
800	8.22	10.2	10.8	11.5	12.1	12.8	13.4	14.1	14.7	15.3	16.0	16.6	17.3	17.9	18.5	19.2	19.8	20.4	21.1	22.9
870	8.84	11.0	11.7	12.4	13.1	13.8	14.5	15.2	15.9	16.5	17.2	17.9	18.6	19.3	20.0	20.7	21.4	22.0	22.7	24.8
900	9.11	11.3	12.0	12.7	13.5	14.2	14.9	15.6	16.3	17.1	17.8	18.5	19.2	19.9	20.6	21.3	22.0	22.7	23.4	25.5
1000	9.98	12.4	13.2	14.0	14.8	15.6	16.4	17.2	18.0	18.7	19.5	20.3	21.1	21.9	22.7	23.4	24.2	25.0	25.8	28.1
1160	11.4	14.1	15.0	16.0	16.9	17.8	18.7	19.6	20.5	21.4	22.3	23.2	24.1	25.0	25.9	26.8	27.7	28.6	29.5	32.1
1750	16.2	20.3	21.6	22.9	24.3	25.6	26.9	28.3	29.6	30.9	32.2	33.5	34.8	36.1	37.5	38.7	40.0	41.3	42.6	46.5
2000	18.2	22.8	24.3	25.8	27.3	28.8	30.3	31.8	33.3	34.8	36.3	37.8	39.2	40.7	42.2	43.7	45.1	46.6	48.1	52.4
3000	25.8	32.4	34.6	36.8	39.0	41.2	43.4	45.5	47.7	49.8	52.0	54.1	56.3	58.4	60.5	62.6	64.7	66.8	68.9	75.2
3450	29.1	36.6	39.1	41.6	44.1	46.5	49.0	51.5	53.9	56.3	58.8	61.2	63.6	66.0	68.4	70.8	73.2	75.6	78.0	85.0
4000	32.9	41.5	44.4	47.3	50.1	52.9	55.7	58.5	61.3	64.1	66.9	69.6	72.4	75.1	77.8	80.6	83.3	86.0	88.7	96.6
4500	36.4	45.9	49.1	52.3	55.4	58.5	61.7	64.8	67.9	70.9	74.0	77.1	80.1	83.1	86.2	89.2	92.1	95.1	98.1	106.9
5000	39.7	50.2	53.7	57.2	60.6	64.1	67.5	70.9	74.3	77.6	81.0	84.3	87.6	90.9	94.3	97.5	100.8	104.0	107.3	116.8
5500	43.0	54.4	58.2	62.0	65.7	69.4	73.2	76.8	80.5	84.1	87.8	91.4	95.0	98.5	102.1	105.6	109.1	112.6	116.1	126.4

Use this sprocket only if required to obtain speed ratio or to meet diameter limitations. See Engineering Section for details.

QT Power Chain® II Carbon Belt Length Correction Factor Table

Pitch/Length Designation	Number of Teeth	Correction Factor	Pitch/Length Designation	Number of Teeth	Correction Factor
8MPCC-640	80	0.79	8MPCC-1200	150	1.03
8MPCC-720	90	0.83	8MPCC-1224	153	1.03
8MPCC-800	100	0.87	8MPCC-1280	160	1.05
8MPCC-896	112	0.91	8MPCC-1440	180	1.10
8MPCC-960	120	0.94	8MPCC-1600	200	1.14
8MPCC					

QT Power Chain® II Carbon Drive Selection

8mm Basic Horsepower Tables

Horsepower Rating for 12mm Wide

Rated Horsepower for Small Sprocket (Number of Grooves and Pitch Diameter Inches)										Additional Horsepower per belt for Speed Ratio of Speed-Down Drives										RPM of Faster Shaft
48	50	53	56	60	63	67	71	75	80	1.00 to	1.03 to	1.06 to	1.11 to	1.16 to	1.22 to	1.31 to	1.44 to	1.65 to	2.16 &	
4.812	5.013	5.314	5.614	6.015	6.316	6.717	7.118	7.519	8.020	1.02	1.05	1.10	1.15	1.21	1.30	1.43	1.64	2.15	Over	
Refer to selection program : http://beltdrive-selector.tbwoods.com																				Slower
2.00	2.09	2.24	2.38	2.57	2.72	2.91	3.10	3.29	3.52	0.00	0.01	0.01	0.02	0.03	0.04	0.04	0.05	0.06	0.06	88
2.23	2.34	2.50	2.66	2.87	3.03	3.25	3.46	3.67	3.93	0.00	0.01	0.02	0.02	0.03	0.04	0.05	0.06	0.06	0.07	100
2.55	2.68	2.86	3.05	3.29	3.48	3.72	3.97	4.21	4.51	0.00	0.01	0.02	0.03	0.04	0.05	0.06	0.07	0.07	0.08	117
3.63	3.81	4.07	4.34	4.69	4.96	5.31	5.66	6.00	6.44	0.00	0.01	0.03	0.04	0.06	0.07	0.08	0.10	0.11	0.13	175
4.08	4.29	4.59	4.89	5.28	5.58	5.98	6.37	6.76	7.25	0.00	0.02	0.03	0.05	0.06	0.08	0.10	0.11	0.13	0.14	200
4.68	4.91	5.25	5.60	6.05	6.40	6.85	7.30	7.75	8.31	0.00	0.02	0.04	0.06	0.07	0.09	0.11	0.13	0.15	0.17	233
5.86	6.15	6.59	7.02	7.59	8.02	8.59	9.16	9.73	10.4	0.00	0.02	0.05	0.07	0.10	0.12	0.14	0.17	0.19	0.21	300
6.73	7.07	7.57	8.06	8.72	9.22	9.87	10.5	11.2	12.0	0.00	0.03	0.06	0.08	0.11	0.14	0.17	0.19	0.22	0.25	350
7.59	7.97	8.53	9.09	9.84	10.4	11.1	11.9	12.6	13.5	0.00	0.03	0.06	0.10	0.13	0.16	0.19	0.22	0.25	0.29	400
9.28	9.74	10.4	11.1	12.0	12.7	13.6	14.5	15.4	16.6	0.00	0.04	0.08	0.12	0.16	0.20	0.24	0.28	0.32	0.36	500
10.5	11.1	11.8	12.6	13.7	14.4	15.5	16.5	17.5	18.8	0.00	0.05	0.09	0.14	0.18	0.23	0.27	0.32	0.37	0.41	575
10.9	11.5	12.3	13.1	14.2	15.0	16.1	17.2	18.2	19.5	0.00	0.05	0.10	0.14	0.19	0.24	0.29	0.33	0.38	0.43	600
12.4	13.0	14.0	14.9	16.1	17.0	18.3	19.5	20.7	22.2	0.00	0.06	0.11	0.16	0.22	0.27	0.33	0.38	0.44	0.49	690
12.6	13.2	14.1	15.1	16.3	17.3	18.5	19.7	21.0	22.5	0.00	0.06	0.11	0.17	0.22	0.28	0.33	0.39	0.45	0.50	700
14.2	14.9	16.0	17.0	18.4	19.5	20.9	22.3	23.7	25.4	0.00	0.06	0.13	0.19	0.25	0.32	0.38	0.45	0.51	0.57	800
15.3	16.1	17.2	18.4	19.9	21.0	22.5	24.0	25.5	27.4	0.00	0.07	0.14	0.21	0.28	0.35	0.42	0.48	0.55	0.62	870
15.8	16.6	17.8	18.9	20.5	21.7	23.2	24.8	26.3	28.2	0.00	0.07	0.14	0.22	0.29	0.36	0.43	0.50	0.57	0.64	900
17.4	18.2	19.5	20.8	22.6	23.9	25.6	27.3	29.0	31.1	0.00	0.08	0.16	0.24	0.32	0.40	0.48	0.56	0.64	0.72	1000
19.9	20.9	22.4	23.8	25.8	27.3	29.3	31.2	33.1	35.6	0.00	0.09	0.18	0.28	0.37	0.46	0.55	0.65	0.74	0.83	1160
28.8	30.2	32.4	34.6	37.4	39.6	42.4	45.2	48.0	51.5	0.00	0.14	0.28	0.42	0.56	0.70	0.84	0.97	1.11	1.25	1750
32.4	34.1	36.5	39.0	42.2	44.6	47.8	51.0	54.1	58.0	0.00	0.16	0.32	0.48	0.64	0.80	0.95	1.11	1.27	1.43	2000
46.5	48.9	52.4	55.8	60.4	63.8	68.3	72.7	77.1	82.5	0.00	0.24	0.48	0.72	0.95	1.19	1.43	1.67	1.91	2.15	3000
52.6	55.2	59.2	63.0	68.2	72.0	77.0	81.9			0.00	0.28	0.55	0.82	1.10	1.37	1.65	1.92	2.20	2.47	3450
59.8	62.7	67.2	71.6	77.3						0.00	0.32	0.64	0.96	1.27	1.59	1.91	2.23	2.55	2.86	4000
66.1	69.3	74.2								0.00	0.36	0.72	1.08	1.43	1.79	2.15	2.51	2.87	3.22	4500
72.1	75.7									0.00	0.40	0.79	1.19	1.59	1.99	2.39	2.78	3.18	3.58	5000
										0.00	0.44	0.87	1.31	1.75	2.19	2.63	3.06	3.50	3.94	5500

Horsepower Rating for 21mm Wide

Rated Horsepower for Small Sprocket (Number of Grooves and Pitch Diameter Inches)										Additional Horsepower per belt for Speed Ratio of Speed-Down Drives										RPM of Faster Shaft
48	50	53	56	60	63	67	71	75	80	1.00 to	1.03 to	1.06 to	1.11 to	1.16 to	1.22 to	1.31 to	1.44 to	1.65 to	2.16 &	
4.812	5.013	5.314	5.614	6.015	6.316	6.717	7.118	7.519	8.020	1.02	1.05	1.10	1.15	1.21	1.30	1.43	1.64	2.15	Over	
Refer to selection program : http://beltdrive-selector.tbwoods.com																				Slower
3.49	3.66	3.92	4.17	4.50	4.75	5.09	5.42	5.75	6.16	0.00	0.01	0.02	0.04	0.05	0.06	0.07	0.09	0.10	0.11	88
3.90	4.09	4.37	4.65	5.03	5.31	5.68	6.05	6.42	6.88	0.00	0.01	0.03	0.04	0.06	0.07	0.08	0.10	0.11	0.13	100
4.46	4.68	5.01	5.33	5.76	6.08	6.51	6.94	7.36	7.89	0.00	0.02	0.03	0.05	0.07	0.08	0.10	0.11	0.13	0.15	117
6.35	6.66	7.13	7.59	8.21	8.67	9.29	9.90	10.5	11.3	0.00	0.02	0.05	0.07	0.10	0.12	0.15	0.17	0.19	0.22	175
7.15	7.50	8.03	8.55	9.25	9.77	10.5	11.1	11.8	12.7	0.00	0.03	0.06	0.08	0.11	0.14	0.17	0.19	0.22	0.25	200
8.19	8.59	9.20	9.80	10.6	11.2	12.0	12.8	13.6	14.5	0.00	0.03	0.06	0.10	0.13	0.16	0.19	0.23	0.26	0.29	233
10.3	10.8	11.5	12.3	13.3	14.0	15.0	16.0	17.0	18.3	0.00	0.04	0.08	0.13	0.17	0.21	0.25	0.29	0.33	0.38	300
11.8	12.4	13.2	14.1	15.3	16.1	17.3	18.4	19.6	21.0	0.00	0.05	0.10	0.15	0.19	0.24	0.29	0.34	0.39	0.44	350
13.3	13.9	14.9	15.9	17.2	18.2	19.5	20.8	22.1	23.7	0.00	0.06	0.11	0.17	0.22	0.28	0.33	0.39	0.45	0.50	400
16.2	17.0	18.3	19.5	21.1	22.3	23.9	25.4	27.0	29.0	0.00	0.07	0.14	0.21	0.28	0.35	0.42	0.49	0.56	0.63	500
18.4	19.3	20.7	22.1	23.9	25.3	27.1	28.9	30.7	32.9	0.00	0.08	0.16	0.24	0.32	0.40	0.48	0.56	0.64	0.72	575
19.1	20.1	21.5	23.0	24.9	26.3	28.1	30.0	31.9	34.2	0.00	0.08	0.17	0.25	0.33	0.42	0.50	0.58	0.67	0.75	600
21.7	22.8	24.4	26.1	28.2	29.8	32.0	34.1	36.2	38.8	0.00	0.10	0.19	0.29	0.38	0.48	0.58	0.67	0.77	0.86	690
22.0	23.1	24.8	26.4	28.6	30.2	32.4	34.5	36.7	39.3	0.00	0.10	0.19	0.29	0.39	0.49	0.58	0.68	0.78	0.88	700
24.8	26.1	27.9	29.8	32.3	34.1	36.5	39.0	41.4	44.4	0.00	0.11	0.22	0.33	0.45	0.56	0.67	0.78	0.89	1.00	800
26.8	28.1	30.1	32.2	34.8	36.8	39.4	42.1	44.7	47.9	0.00	0.12	0.24	0.36	0.48	0.61	0.73	0.85	0.97	1.09	870
27.6	29.0	31.1	33.2	35.9	38.0	40.7	43.4	46.1	49.4	0.00	0.13	0.25	0.38	0.50	0.63	0.75	0.88	1.00	1.13	900
30.4	31.9	34.2	36.5	39.5	41.8	44.8	47.7	50.7	54.4	0.00	0.14	0.28	0.42	0.56	0.70	0.84	0.97	1.11	1.25	1000
34.7	36.5	39.1	41.7	45.2	47.8	51.2	54.6	58.0	62.2	0.00	0.16	0.32	0.49	0.65	0.81	0.97	1.13	1.29	1.45	1160
50.3	52.9	56.7	60.5	65.5	69.2	74.2	79.1	84.0	90.1	0.00	0.24	0.49	0.73	0.97	1.22	1.46	1.71	1.95	2.19	1750
56.7	59.6	63.9	68.2	73.8	78.1	83.6	89.2	94.7	101.5	0.00	0.28	0.56	0.84	1.11	1.39	1.67	1.95	2.23	2.51	2000
81.4	85.5	91.6	97.7	105.7	111.7	119.5	127.3	135.0	144.4	0.00	0.42	0.83	1.25	1.67	2.09	2.51	2.92	3.34	3.76	3000
92.0	96.6	103.5	110.3	119.3	126.0	134.7	143.4			0.00	0.48	0.96	1.44	1.92	2.40	2.88	3.36	3.84	4.32	3450
104.6	109.8	117.6	125.2	135.3						0.00	0.56	1.11	1.67	2.23	2.79	3.34	3.90	4.46	5.01	4000
115.6	121.4	129.9								0.00	0.63	1.25	1.88	2.51	3.13	3.76	4.39	5.01	5.64	4500
126.3	132.5									0.00	0.70	1.39	2.09	2.78	3.48	4.18	4.87	5.57	6.27	5000
										0.00	0.77	1.53	2.30	3.06	3.83	4.60	5.36	6.13	6.89	5500

QT Power Chain® II Belt Carbon Length Correction Factor Table

Pitch/Length Designation	Number of Teeth	Correction Factor	Pitch/Length Designation	Number of Teeth	Correction Factor
8MPCC-2200	275	1.26	8MPCC-3048	381	1.38
8MPCC-2240	280	1.26	8MPCC-3200	400	1.40
8MPCC-2400	300	1.29	8MPCC-3280	410	1.41
8MPCC-2520	315	1.31	8MPCC-3600	450	1.45
8MPCC-2600	325	1.32	8MPCC-4000	500	1.49
8MPCC-2800	350	1.35	8MPCC-4400	550	1.52
8MPCC-2840	355	1.36	8MPCC-4480	560	1.53

QT Power Chain® II Carbon Drive Selection

8mm Basic Horsepower Tables

Horsepower Rating for 36mm Wide

RPM of Faster Shaft	Rated Horsepower for Small Sprocket (Number of Grooves and Pitch Diameter Inches)																
	22	25	28	30	32	33	34	35	36	37	38	39	40	41	42	45	48
	2.206	2.506	2.807	3.008	3.208	3.308	3.409	3.509	3.609	3.709	3.810	3.910	4.010	4.110	4.211	4.511	4.812
Slower	Refer to selection program : http://beltdriveselector.tbwoods.com																
88	2.15	2.60	3.05	3.35	3.64	3.79	3.94	4.09	4.23	4.38	4.53	4.68	4.82	4.97	5.12	5.55	5.99
100	2.38	2.89	3.39	3.73	4.06	4.22	4.39	4.56	4.72	4.88	5.05	5.21	5.38	5.54	5.71	6.19	6.68
117	2.71	3.29	3.87	4.26	4.64	4.83	5.02	5.21	5.40	5.59	5.78	5.97	6.15	6.34	6.53	7.09	7.65
175	3.80	4.64	5.47	6.02	6.57	6.84	7.11	7.38	7.66	7.93	8.20	8.47	8.74	9.01	9.28	10.1	10.9
200	4.26	5.20	6.14	6.76	7.38	7.68	7.99	8.30	8.61	8.91	9.22	9.53	9.83	10.1	10.4	11.3	12.3
233	4.85	5.93	7.01	7.72	8.43	8.79	9.14	9.49	9.85	10.2	10.6	10.9	11.2	11.6	12.0	13.0	14.0
300	6.03	7.39	8.74	9.64	10.5	11.0	11.4	11.9	12.3	12.8	13.2	13.6	14.1	14.5	15.0	16.3	17.6
350	6.88	8.45	10.0	11.0	12.1	12.6	13.1	13.6	14.1	14.6	15.1	15.7	16.2	16.7	17.2	18.7	20.2
400	7.72	9.50	11.3	12.4	13.6	14.2	14.8	15.3	15.9	16.5	17.1	17.6	18.2	18.8	19.4	21.1	22.8
500	9.37	11.5	13.7	15.2	16.6	17.3	18.0	18.7	19.4	20.1	20.8	21.5	22.2	22.9	23.6	25.7	27.8
575	10.6	13.1	15.5	17.2	18.8	19.6	20.4	21.2	22.0	22.8	23.6	24.4	25.2	26.0	26.8	29.2	31.6
600	11.0	13.5	16.1	17.8	19.5	20.3	21.2	22.0	22.9	23.7	24.5	25.4	26.2	27.0	27.9	30.3	32.8
690	12.4	15.3	18.2	20.2	22.1	23.0	24.0	25.0	25.9	26.9	27.8	28.8	29.7	30.7	31.6	34.4	37.2
700	12.5	15.5	18.5	20.4	22.4	23.3	24.3	25.3	26.3	27.2	28.2	29.1	30.1	31.1	32.0	34.9	37.7
800	14.1	17.5	20.8	23.0	25.2	26.3	27.4	28.5	29.6	30.7	31.8	32.9	33.9	35.0	36.1	39.3	42.6
870	15.2	18.8	22.4	24.8	27.2	28.4	29.6	30.7	31.9	33.1	34.3	35.4	36.6	37.8	39.0	42.4	45.9
900	15.6	19.4	23.1	25.6	28.0	29.2	30.5	31.7	32.9	34.1	35.3	36.5	37.7	38.9	40.2	43.8	47.3
1000	17.1	21.2	25.3	28.1	30.8	32.1	33.5	34.8	36.2	37.5	38.8	40.2	41.5	42.8	44.2	48.1	52.1
1160	19.5	24.2	28.9	32.0	35.1	36.7	38.2	39.8	41.3	42.8	44.4	45.9	47.4	49.0	50.5	55.0	59.6
1750	27.8	34.7	41.6	46.2	50.7	53.0	55.2	57.5	59.7	61.9	64.2	66.4	68.6	70.9	73.1	79.7	86.3
2000	31.2	39.0	46.8	52.0	57.1	59.6	62.2	64.8	67.3	69.8	72.3	74.9	77.4	79.9	82.4	89.8	97.3
3000	44.2	55.6	66.9	74.3	81.7	85.4	89.1	92.8	96.4	100.1	103.7	107.4	111.0	114.6	118.2	128.9	139.5
3450	49.8	62.7	75.5	84.0	92.4	96.6	100.8	104.9	109.0	113.2	117.3	121.4	125.5	129.5	133.6	145.7	157.7
4000	56.5	71.2	85.9	95.5	105.1	109.8	114.6	119.3	124.0	128.7	133.4	138.1	142.7	147.3	152.0	165.7	179.3
4500	62.3	78.7	95.0	105.7	116.3	121.6	126.9	132.1	137.3	142.5	147.7	152.8	158.0	163.0	168.2	183.2	198.2
5000	68.1	86.1	103.9	115.7	127.3	133.1	138.9	144.6	150.2	155.9	161.6	167.2	172.8	178.3	183.9	200.3	216.4
5500	73.7	93.3	112.6	125.4	138.0	144.2	150.5	156.7	162.8	168.9	175.1	181.1	187.1	193.1	199.1	216.7	

Horsepower Rating for 62mm Wide

RPM of Faster Shaft	Rated Horsepower for Small Sprocket (Number of Grooves and Pitch Diameter Inches)											
	22	25	28	30	32	34	36	38	40	42	45	48
	2.206	2.506	2.807	3.008	3.208	3.409	3.609	3.810	4.010	4.211	4.511	4.812
Slower	Refer to selection program : http://beltdriveselector.tbwoods.com											
88	3.70	4.48	5.25	5.76	6.27	6.79	7.29	7.80	8.30	8.81	9.56	10.3
100	4.11	4.98	5.84	6.42	6.99	7.56	8.13	8.70	9.26	9.83	10.7	11.5
117	4.68	5.67	6.67	7.33	7.99	8.65	9.30	9.95	10.6	11.2	12.2	13.2
175	6.55	7.99	9.42	10.4	11.3	12.3	13.2	14.1	15.1	16.0	17.4	18.8
200	7.34	8.96	10.6	11.6	12.7	13.8	14.8	15.9	16.9	18.0	19.5	21.1
233	8.36	10.2	12.1	13.3	14.5	15.7	17.0	18.2	19.4	20.6	22.4	24.2
300	10.4	12.7	15.1	16.6	18.1	19.7	21.2	22.7	24.3	25.8	28.0	30.3
350	11.9	14.6	17.2	19.0	20.8	22.6	24.3	26.1	27.8	29.6	32.2	34.8
400	13.3	16.4	19.4	21.4	23.4	25.4	27.4	29.4	31.4	33.3	36.3	39.2
500	16.1	19.9	23.6	26.1	28.5	31.0	33.4	35.9	38.3	40.7	44.3	47.9
575	18.2	22.5	26.7	29.5	32.3	35.1	37.9	40.7	43.4	46.2	50.3	54.4
600	18.9	23.3	27.8	30.7	33.6	36.5	39.4	42.3	45.1	48.0	52.3	56.5
690	21.3	26.4	31.4	34.7	38.0	41.4	44.6	47.9	51.2	54.4	59.3	64.1
700	21.6	26.7	31.8	35.2	38.5	41.9	45.2	48.5	51.8	55.1	60.1	65.0
800	24.3	30.1	35.8	39.6	43.4	47.2	51.0	54.7	58.5	62.2	67.8	73.3
870	26.1	32.4	38.6	42.7	46.8	50.9	55.0	59.0	63.0	67.1	73.1	79.1
900	26.9	33.3	39.8	44.0	48.2	52.5	56.7	60.8	65.0	69.2	75.4	81.5
1000	29.5	36.6	43.7	48.3	53.0	57.7	62.3	66.9	71.5	76.1	82.9	89.7
1160	33.5	41.7	49.8	55.2	60.5	65.9	71.1	76.4	81.7	87.0	94.8	102.6
1750	47.9	59.8	71.7	79.5	87.3	95.1	102.8	110.6	118.2	125.9	137.3	148.6
2000	53.7	67.2	80.6	89.5	98.3	107.2	115.9	124.6	133.2	141.9	154.7	167.6
3000	76.1	95.7	115.2	128.0	140.8	153.5	166.1	178.7	191.1	203.6	222.0	240.3
3450	85.8	108.0	130.1	144.7	159.1	173.6	187.8	202.0	216.1	230.2	251.0	271.6
4000	97.2	122.7	147.9	164.5	181.0	197.4	213.7	229.8	245.8	261.8	285.3	308.7
4500	107.4	135.6	163.6	182.1	200.4	218.6	236.5	254.4	272.1	289.6	315.6	341.3
5000	117.3	148.3	179.0	199.3	219.3	239.2	258.8	278.3	297.5	316.7	344.9	372.8
5500	126.9	160.6	194.0	216.0	237.7	259.2	280.4	301.5	322.3	342.9	373.2	

Use this sprocket only if required to obtain speed ratio or to meet diameter limitations. See Engineering Section for details.

QT Power Chain® II Carbon Belt Length Correction Factor Table

Pitch/Length Designation	Number of Teeth	Correction Factor	Pitch/Length Designation	Number of Teeth	Correction Factor
8MPCC-640	80	0.79	8MPCC-1200	150	1.03
8MPCC-720	90	0.83	8MPCC-1224	153	1.03
8MPCC-800	100	0.87	8MPCC-1280	160	1.05
8MPCC-896	112	0.91	8MPCC-1440	180	1.10
8MPCC-960	120	0.94	8MPCC-1600	200	1.14
8MPCC-1000	125	0.96	8MPCC-1760	220	1.17
8MPCC-1040	130	0.97	8MPCC-1792	224	1.18
8MPCC-1120	140	1.00	8MPCC-2000	250	1.22

QT Power Chain® II Carbon Drive Selection

8mm Basic Horsepower Tables

Horsepower Rating for 36mm Wide

									Additional Horsepower per belt for Speed Ratio of Speed-Down Drives									RPM of Faster Shaft	
50	53	56	60	63	67	71	75	80	1.00 to	1.03 to	1.06 to	1.11 to	1.16 to	1.22 to	1.31 to	1.44 to	1.65 to		2.16 &
5.013	5.314	5.614	6.015	6.316	6.717	7.118	7.519	8.020	1.02	1.05	1.10	1.15	1.21	1.30	1.43	1.64	2.15	Over	
Refer to selection program : http://beltdrive-selector.tbwoods.com																			Slower
6.28	6.71	7.14	7.72	8.15	8.72	9.29	9.86	10.6	0.00	0.02	0.04	0.06	0.08	0.11	0.13	0.15	0.17	0.19	88
7.01	7.49	7.98	8.62	9.10	9.74	10.4	11.0	11.8	0.00	0.02	0.05	0.07	0.10	0.12	0.14	0.17	0.19	0.21	100
8.03	8.59	9.14	9.88	10.4	11.2	11.9	12.6	13.5	0.00	0.03	0.06	0.08	0.11	0.14	0.17	0.20	0.22	0.25	117
11.4	12.2	13.0	14.1	14.9	15.9	17.0	18.0	19.3	0.00	0.04	0.08	0.13	0.17	0.21	0.25	0.29	0.33	0.38	175
12.9	13.8	14.7	15.8	16.7	17.9	19.1	20.3	21.7	0.00	0.05	0.10	0.14	0.19	0.24	0.29	0.33	0.38	0.43	200
14.7	15.8	16.8	18.2	19.2	20.5	21.9	23.3	24.9	0.00	0.06	0.11	0.17	0.22	0.28	0.33	0.39	0.45	0.50	233
18.5	19.8	21.1	22.8	24.1	25.8	27.5	29.2	31.3	0.00	0.07	0.14	0.22	0.29	0.36	0.43	0.50	0.57	0.64	300
21.2	22.7	24.2	26.2	27.7	29.6	31.6	33.5	36.0	0.00	0.08	0.17	0.25	0.33	0.42	0.50	0.58	0.67	0.75	350
23.9	25.6	27.3	29.5	31.2	33.4	35.6	37.8	40.6	0.00	0.10	0.19	0.29	0.38	0.48	0.57	0.67	0.76	0.86	400
29.2	31.3	33.4	36.1	38.2	40.9	43.6	46.3	49.7	0.00	0.12	0.24	0.36	0.48	0.60	0.72	0.84	0.96	1.07	500
33.2	35.5	37.9	41.0	43.3	46.4	49.5	52.6	56.4	0.00	0.14	0.27	0.41	0.55	0.69	0.82	0.96	1.10	1.24	575
34.5	36.9	39.4	42.6	45.0	48.3	51.5	54.7	58.6	0.00	0.14	0.29	0.43	0.57	0.72	0.86	1.00	1.15	1.29	600
39.1	41.9	44.7	48.4	51.1	54.8	58.4	62.1	66.6	0.00	0.17	0.33	0.49	0.66	0.82	0.99	1.15	1.32	1.48	690
39.6	42.4	45.3	49.0	51.8	55.5	59.2	62.9	67.4	0.00	0.17	0.33	0.50	0.67	0.84	1.00	1.17	1.34	1.50	700
44.7	47.9	51.1	55.3	58.5	62.7	66.8	71.0	76.1	0.00	0.19	0.38	0.57	0.76	0.95	1.15	1.34	1.53	1.72	800
48.2	51.7	55.1	59.7	63.1	67.6	72.1	76.6	82.2	0.00	0.21	0.41	0.62	0.83	1.04	1.25	1.45	1.66	1.87	870
49.7	53.3	56.8	61.5	65.1	69.7	74.4	79.0	84.7	0.00	0.22	0.43	0.65	0.86	1.07	1.29	1.50	1.72	1.93	900
54.7	58.6	62.5	67.7	71.6	76.7	81.8	86.9	93.2	0.00	0.24	0.48	0.72	0.95	1.19	1.43	1.67	1.91	2.15	1000
62.6	67.1	71.5	77.5	81.9	87.8	93.6	99.4	106.7	0.00	0.28	0.55	0.83	1.11	1.38	1.66	1.94	2.22	2.49	1160
90.7	97.2	103.7	112.3	118.7	127.2	135.7	144.0	154.5	0.00	0.42	0.83	1.25	1.67	2.09	2.51	2.92	3.34	3.76	1750
102.2	109.6	116.9	126.6	133.8	143.4	152.9	162.3	174.0	0.00	0.48	0.95	1.43	1.91	2.39	2.86	3.34	3.82	4.30	2000
146.6	157.1	167.5	181.2	191.4	204.9	218.2	231.4	247.6	0.00	0.72	1.43	2.15	2.86	3.58	4.30	5.01	5.73	6.44	3000
165.7	177.5	189.1	204.5	216.0	231.0	245.8			0.00	0.83	1.65	2.47	3.29	4.12	4.94	5.76	6.59	7.41	3450
188.2	201.5	214.7	231.9						0.00	0.96	1.91	2.87	3.82	4.77	5.73	6.68	7.64	8.59	4000
208.0	222.6								0.00	1.08	2.15	3.23	4.30	5.37	6.45	7.52	8.60	9.67	4500
227.1									0.00	1.20	2.38	3.58	4.77	5.97	7.16	8.35	9.55	10.7	5000
									0.00	1.32	2.62	3.94	5.25	6.56	7.88	9.19	10.5	11.8	5500

Horsepower Rating for 62mm Wide

									Additional Horsepower per belt for Speed Ratio of Speed-Down Drives									RPM of Faster Shaft	
50	53	56	60	63	67	71	75	80	1.00 to	1.03 to	1.06 to	1.11 to	1.16 to	1.22 to	1.31 to	1.44 to	1.65 to		2.16 &
5.013	5.314	5.614	6.015	6.316	6.717	7.118	7.519	8.020	1.02	1.05	1.10	1.15	1.21	1.30	1.43	1.64	2.15	Over	
Refer to selection program : http://beltdrive-selector.tbwoods.com																			Slower
10.8	11.6	12.3	13.3	14.0	15.0	16.0	17.0	18.2	0.00	0.04	0.07	0.11	0.14	0.18	0.22	0.25	0.29	0.33	88
12.1	12.9	13.7	14.8	15.7	16.8	17.9	19.0	20.3	0.00	0.04	0.08	0.12	0.16	0.21	0.25	0.29	0.33	0.37	100
13.8	14.8	15.7	17.0	18.0	19.2	20.5	21.7	23.3	0.00	0.05	0.10	0.14	0.19	0.24	0.29	0.34	0.38	0.43	117
19.7	21.1	22.4	24.2	25.6	27.4	29.2	31.0	33.3	0.00	0.07	0.14	0.22	0.29	0.36	0.43	0.50	0.58	0.65	175
22.1	23.7	25.2	27.3	28.8	30.9	32.9	34.9	37.5	0.00	0.08	0.16	0.25	0.33	0.41	0.49	0.58	0.66	0.74	200
25.4	27.1	28.9	31.3	33.0	35.4	37.7	40.0	42.9	0.00	0.10	0.19	0.29	0.38	0.48	0.57	0.67	0.77	0.86	233
31.8	34.0	36.3	39.2	41.5	44.4	47.3	50.3	53.9	0.00	0.12	0.25	0.37	0.49	0.62	0.74	0.86	0.99	1.11	300
36.5	39.1	41.7	45.1	47.6	51.0	54.4	57.8	62.0	0.00	0.14	0.29	0.43	0.58	0.72	0.86	1.01	1.15	1.29	350
41.2	44.1	47.0	50.8	53.7	57.6	61.4	65.2	69.9	0.00	0.16	0.33	0.49	0.66	0.82	0.99	1.15	1.32	1.48	400
50.3	53.9	57.5	62.2	65.7	70.4	75.1	79.8	85.6	0.00	0.21	0.41	0.62	0.82	1.03	1.23	1.44	1.64	1.85	500
57.1	61.2	65.2	70.6	74.6	80.0	85.3	90.6	97.2	0.00	0.24	0.47	0.71	0.95	1.18	1.42	1.65	1.89	2.13	575
59.4	63.6	67.8	73.4	77.6	83.1	88.6	94.1	101.0	0.00	0.25	0.49	0.74	0.99	1.23	1.48	1.73	1.97	2.22	600
67.3	72.2	76.9	83.3	88.0	94.3	100.6	106.9	114.7	0.00	0.28	0.57	0.85	1.13	1.42	1.70	1.99	2.27	2.55	690
68.2	73.1	77.9	84.4	89.2	95.6	101.9	108.3	116.2	0.00	0.29	0.57	0.86	1.15	1.44	1.73	2.01	2.30	2.59	700
77.0	82.5	88.0	95.2	100.7	107.9	115.1	122.3	131.2	0.00	0.33	0.66	0.99	1.32	1.64	1.97	2.30	2.63	2.96	800
83.1	89.0	94.9	102.8	108.7	116.4	124.2	131.9	141.5	0.00	0.36	0.71	1.07	1.43	1.79	2.15	2.50	2.86	3.22	870
85.7	91.8	97.9	106.0	112.0	120.1	128.1	136.1	146.0	0.00	0.37	0.74	1.11	1.48	1.85	2.22	2.59	2.96	3.33	900
94.2	101.0	107.7	116.6	123.3	132.1	140.9	149.7	160.6	0.00	0.41	0.82	1.23	1.64	2.06	2.47	2.88	3.29	3.70	1000
107.8	115.5	123.2	133.4	141.0	151.2	161.2	171.3	183.7	0.00	0.48	0.95	1.43	1.91	2.38	2.86	3.34	3.82	4.29	1160
156.2	167.4	178.6	193.4	204.4	219.1	233.6	248.1	266.0	0.00	0.72	1.44	2.16	2.88	3.60	4.32	5.04	5.76	6.47	1750
176.1	188.7	201.3	218.0	230.4	246.9	263.3	279.5	299.6	0.00	0.82	1.64	2.47	3.29	4.11	4.93	5.75	6.58	7.40	2000
252.5	270.6	288.5	312.1	329.7	352.9	375.8	398.5	426.4	0.00	1.24	2.46	3.70	4.93	6.17	7.40	8.63	9.87	11.1	3000
285.3	305.7	325.8	352.3	372.0	397.8	423.3			0.00	1.42	2.83	4.26	5.67	7.09	8.51	9.93	11.3	12.8	3450
324.2	347.1	369.7	399.5						0.00	1.65	3.29	4.94	6.58	8.22	9.87	11.5	13.2	14.8	4000
358.3	383.4								0.00	1.85	3.70	5.56	7.40	9.25	11.1	12.9	14.8	16.6	4500
391.1									0.00	2.06	4.11	6.17	8.22	10.3	12.3	14.4	16.4	18.5	5000
									0.00	2.27	4.52	6.79	9.04	11.3	13.6	15.8	18.1	20.3	5500

QT Power Chain® II Carbon Belt Length Correction Factor Table

Pitch/Length Designation	Number of Teeth	Correction Factor	Pitch/Length Designation	Number of Teeth	Correction Factor
8MPCC-2200	275	1.26	8MPCC-3048	381	1.38
8MPCC-2240	280	1.26	8MPCC-3200	400	1.40
8MPCC-2400	300	1.29	8MPCC-3280	410	1.41
8MPCC-2520	315	1.31	8MPCC-3600	450	1.45
8MPCC-2600	325	1.32	8MPCC-4000	500	1.49
8MPCC-2800	350	1.35	8MPCC-4400	550	1.52
8MPCC-2840	355	1.36	8MPCC-4480	560	1.53

QT Power Chain® II Carbon Drive Selection

14mm Basic Horsepower Tables

Horsepower Rating for 20mm Wide

RPM of Faster Shaft	Rated Horsepower for Small Sprocket (Number of Grooves and Pitch Diameter Inches)																	
	28	29	30	31	32	33	34	35	36	37	38	39	40	43	45	48	50	53
	4.912	5.088	5.263	5.439	5.614	5.790	5.965	6.141	6.316	6.492	6.667	6.842	7.018	7.544	7.895	8.421	8.772	9.299
Slower	Refer to selection program : http://beltselector.tbwoods.com																	
88	5.72	5.96	6.20	6.44	6.68	6.92	7.15	7.39	7.63	7.87	8.10	8.34	8.57	9.27	9.74	10.4	10.9	11.6
100	6.35	6.62	6.88	7.15	7.42	7.68	7.95	8.22	8.48	8.74	9.01	9.27	9.53	10.3	10.8	11.6	12.1	12.9
117	7.23	7.54	7.84	8.15	8.45	8.76	9.06	9.36	9.66	10.0	10.3	10.6	10.9	11.8	12.4	13.2	13.8	14.7
175	10.1	10.6	11.0	11.4	11.9	12.3	12.7	13.1	13.6	14.0	14.4	14.8	15.3	16.5	17.4	18.6	19.5	20.7
200	11.3	11.8	12.3	12.8	13.3	13.8	14.2	14.7	15.2	15.7	16.2	16.6	17.1	18.5	19.5	20.9	21.8	23.2
233	12.9	13.5	14.0	14.6	15.1	15.7	16.2	16.8	17.3	17.9	18.4	19.0	19.5	21.1	22.2	23.8	24.9	26.5
300	16.0	16.7	17.4	18.1	18.8	19.5	20.1	20.8	21.5	22.2	22.9	23.6	24.2	26.3	27.6	29.6	30.9	32.9
350	18.2	19.0	19.8	20.6	21.4	22.2	23.0	23.8	24.6	25.4	26.1	26.9	27.7	30.0	31.5	33.8	35.3	37.6
400	20.5	21.4	22.2	23.1	24.0	24.9	25.8	26.7	27.6	28.4	29.3	30.2	31.1	33.7	35.4	38.0	39.7	42.2
500	24.8	25.9	26.9	28.0	29.1	30.2	31.3	32.4	33.4	34.5	35.6	36.6	37.7	40.8	42.9	46.1	48.1	51.2
575	27.9	29.2	30.4	31.6	32.8	34.1	35.3	36.5	37.7	38.9	40.1	41.3	42.5	46.1	48.5	52.0	54.3	57.8
600	29.0	30.2	31.5	32.8	34.1	35.3	36.6	37.9	39.1	40.4	41.6	42.9	44.1	47.8	50.3	53.9	56.4	60.0
690	32.6	34.1	35.5	37.0	38.4	39.9	41.3	42.7	44.1	45.6	47.0	48.4	49.8	54.0	56.7	60.9	63.6	67.7
700	33.0	34.5	36.0	37.4	38.9	40.4	41.8	43.3	44.7	46.1	47.6	49.0	50.4	54.6	57.5	61.7	64.4	68.6
800	37.0	38.7	40.4	42.0	43.6	45.3	46.9	48.5	50.1	51.8	53.4	55.0	56.6	61.3	64.5	69.2	72.3	77.0
870	39.8	41.6	43.4	45.1	46.9	48.7	50.4	52.2	53.9	55.6	57.4	59.1	60.8	65.9	69.3	74.4	77.8	82.8
900	41.0	42.8	44.6	46.5	48.3	50.1	51.9	53.7	55.5	57.3	59.1	60.8	62.6	67.9	71.4	76.6	80.1	85.2
1000	44.8	46.9	48.9	50.9	52.9	54.8	56.8	58.8	60.8	62.7	64.7	66.6	68.6	74.4	78.2	83.9	87.7	93.3
1160	50.9	53.2	55.5	57.8	60.0	62.3	64.5	66.8	69.0	71.3	73.5	75.7	77.9	84.5	88.8	95.3	99.6	106.0
1750	72.1	75.4	78.6	81.9	85.1	88.4	91.6	94.8	97.9	101.1	104.3	107.4	110.5	119.8	126.0	135.1	141.1	150.0
2000	80.6	84.3	88.0	91.6	95.2	98.8	102.4	106.0	109.6	113.1	116.6	120.1	123.6	134.0	140.8	150.9	157.6	167.5
3000	112.6	117.8	122.9	127.9	133.0	138.0	142.9	147.9	152.8	157.6	162.5	167.2	172.0	186.1	195.3			
3450	126.0	131.7	137.4	143.0	148.6	154.2	159.7	165.2	170.6	175.9	181.2	186.5	191.7					
4000	141.4	147.9	154.2	160.5	166.7	172.8	178.9	185.0	190.9									

Horsepower Rating for 37mm Wide

RPM of Faster Shaft	Rated Horsepower for Small Sprocket (Number of Grooves and Pitch Diameter Inches)																	
	28	29	30	31	32	33	34	35	36	37	38	39	40	43	45	48	50	53
	4.912	5.088	5.263	5.439	5.614	5.790	5.965	6.141	6.316	6.492	6.667	6.842	7.018	7.544	7.895	8.421	8.772	9.299
Slower	Refer to selection program : http://beltselector.tbwoods.com																	
88	10.6	11.0	11.5	11.9	12.4	12.8	13.2	13.7	14.1	14.6	15.0	15.4	15.9	17.2	18.0	19.3	20.2	21.4
100	11.7	12.2	12.7	13.2	13.7	14.2	14.7	15.2	15.7	16.2	16.7	17.1	17.6	19.1	20.0	21.5	22.4	23.9
117	13.4	13.9	14.5	15.1	15.6	16.2	16.8	17.3	17.9	18.4	19.0	19.5	20.1	21.8	22.9	24.5	25.6	27.2
175	18.7	19.5	20.3	21.1	21.9	22.7	23.5	24.3	25.1	25.9	26.7	27.5	28.2	30.6	32.1	34.5	36.0	38.3
200	21.0	21.9	22.8	23.7	24.6	25.5	26.3	27.2	28.1	29.0	29.9	30.8	31.7	34.3	36.0	38.6	40.3	42.9
233	23.9	24.9	25.9	27.0	28.0	29.0	30.0	31.0	32.0	33.1	34.1	35.1	36.1	39.1	41.1	44.0	46.0	48.9
300	29.6	30.9	32.2	33.5	34.7	36.0	37.3	38.5	39.8	41.1	42.3	43.6	44.8	48.6	51.0	54.7	57.2	60.9
350	33.8	35.2	36.7	38.2	39.6	41.1	42.6	44.0	45.4	46.9	48.3	49.8	51.2	55.5	58.3	62.5	65.4	69.6
400	37.8	39.5	41.2	42.8	44.5	46.1	47.7	49.4	51.0	52.6	54.2	55.8	57.5	62.3	65.5	70.2	73.4	78.1
500	45.8	47.8	49.9	51.9	53.9	55.9	57.9	59.9	61.8	63.8	65.8	67.7	69.7	75.5	79.4	85.2	89.0	94.8
575	51.6	53.9	56.2	58.5	60.8	63.0	65.3	67.5	69.8	72.0	74.2	76.4	78.7	85.3	89.6	96.2	100.5	107.0
600	53.6	55.9	58.3	60.7	63.0	65.4	67.7	70.0	72.4	74.7	77.0	79.3	81.6	88.5	93.0	99.8	104.3	111.0
690	60.4	63.1	65.8	68.4	71.1	73.7	76.4	79.0	81.6	84.3	86.9	89.5	92.1	99.8	105.0	112.6	117.7	125.3
700	61.1	63.9	66.6	69.3	72.0	74.7	77.3	80.0	82.7	85.3	88.0	90.6	93.2	101.1	106.3	114.1	119.2	126.9
800	68.5	71.6	74.7	77.7	80.7	83.8	86.8	89.8	92.8	95.8	98.7	101.7	104.7	113.5	119.3	128.0	133.8	142.4
870	73.6	76.9	80.2	83.5	86.8	90.0	93.3	96.5	99.7	102.9	106.1	109.3	112.5	122.0	128.3	137.6	143.9	153.1
900	75.8	79.2	82.6	86.0	89.3	92.7	96.0	99.4	102.7	106.0	109.3	112.6	115.8	125.6	132.1	141.7	148.1	157.7
1000	82.9	86.7	90.4	94.1	97.8	101.5	105.1	108.8	112.4	116.0	119.7	123.2	126.8	137.6	144.7	155.2	162.2	172.6
1160	94.1	98.4	102.6	106.8	111.0	115.2	119.4	123.5	127.7	131.8	135.9	140.0	144.1	156.3	164.3	176.3	184.2	196.1
1750	133.4	139.4	145.5	151.5	157.5	163.5	169.4	175.3	181.2	187.0	192.9	198.7	204.5	221.7	233.0	249.9	261.0	277.6
2000	149.2	156.0	162.7	169.5	176.2	182.9	189.5	196.1	202.7	209.2	215.7	222.2	228.7	247.9	260.5	279.2	291.6	309.9
3000	208.3	217.9	227.3	236.7	246.0	255.3	264.4	273.6	282.6	291.6	300.5	309.4	318.2	344.2	361.2			
3450	233.0	243.7	254.2	264.6	275.0	285.3	295.4	305.5	315.5	325.5	335.3	345.0	354.7					
4000	261.7	273.5	285.2	296.9	308.3	319.8	331.0	342.2	353.2									

QT Power Chain® II Carbon Belt Length Correction Factor Table

Pitch/Length Designation	Number of Teeth	Correction Factor	Pitch/Length Designation	Number of Teeth	Correction Factor
14MPCC-994	71	0.68	14MPCC-2450	175	1.02
14MPCC-1120	80	0.73	14MPCC-2520	180	1.03
14MPCC-1190	85	0.75	14MPCC-2590	185	1.04
14MPCC-1260	90	0.77	14MPCC-2660	190	1.05
14MPCC-1400	100	0.81	14MPCC-2800	200	1.07
14MPCC-1568	112	0.85	14MPCC-3136	224	1.12
14MPCC-1610	115	0.86	14MPCC-3304	236	1.14
14MPCC-1750	125	0.89	14MPCC-3360	240	1.14
14MPCC-1890	135	0.92	14MPCC-3500	250	1.16
14MPCC-1960	140	0.94	14MPCC-3850	275	1.19
14MPCC-2100	150	0.96	14MPCC-3920	280	1.20
14MPCC-2240	160	0.99	14MPCC-4326	309	1.24
14MPCC-2310	165	1.00	14MPCC-4410	315	1.25
14MPCC-2380	170	1.01			

QT Power Chain® II Carbon Drive Selection

14mm Basic Horsepower Tables

Horsepower Rating for 20mm Wide

Rated Horsepower for Small Sprocket (Number of Grooves and Pitch Diameter Inches)								Additional Horsepower per belt for Speed Ratio of Speed-Down Drives										RPM of Faster Shaft
56 9.825	60 10.527	63 11.053	67 11.755	71 12.457	75 13.158	80 14.036	1.00 to 1.03	1.04 to 1.10	1.11 to 1.19	1.20 to 1.30	1.31 to 1.45	1.46 to 1.67	1.68 to 2.02	2.03 to 2.69	2.70 to 4.64	4.65 & Over		
Refer to selection program : http://beltdriveselector.tbwoods.com																		Slower
12.3	13.2	13.9	14.8	15.7	16.6	17.7	0.00	0.04	0.09	0.13	0.18	0.22	0.27	0.31	0.36	0.40	88	
13.7	14.7	15.4	16.4	17.4	18.4	19.7	0.00	0.05	0.10	0.15	0.20	0.25	0.30	0.36	0.41	0.46	100	
15.6	16.7	17.6	18.8	19.9	21.0	22.5	0.00	0.06	0.12	0.18	0.24	0.30	0.36	0.42	0.47	0.53	117	
21.9	23.6	24.8	26.4	28.0	29.6	31.6	0.00	0.09	0.18	0.27	0.36	0.44	0.53	0.62	0.71	0.80	175	
24.6	26.4	27.8	29.6	31.4	33.2	35.5	0.00	0.10	0.20	0.30	0.41	0.51	0.61	0.71	0.81	0.91	200	
30.1	31.7	31.7	33.8	35.8	37.9	40.4	0.00	0.12	0.24	0.35	0.47	0.59	0.71	0.83	0.95	1.06	233	
34.9	37.5	39.4	42.0	44.6	47.1	50.3	0.00	0.15	0.30	0.46	0.61	0.76	0.91	1.07	1.22	1.37	300	
39.9	42.8	45.1	48.0	51.0	53.9	57.5	0.00	0.18	0.36	0.53	0.71	0.89	1.07	1.24	1.42	1.60	350	
44.7	48.1	50.6	53.9	57.2	60.5	64.6	0.00	0.20	0.41	0.61	0.81	1.02	1.22	1.42	1.62	1.83	400	
54.3	58.4	61.4	65.4	69.4	73.4	78.3	0.00	0.25	0.51	0.76	1.02	1.27	1.52	1.78	2.03	2.28	500	
61.3	65.9	69.3	73.9	78.4	82.8	88.4	0.00	0.29	0.58	0.88	1.17	1.46	1.75	2.04	2.33	2.63	575	
63.6	68.4	71.9	76.6	81.3	86.0	91.7	0.00	0.30	0.61	0.91	1.22	1.52	1.83	2.13	2.44	2.74	600	
71.8	77.2	81.2	86.5	91.8	97.0	103.5	0.00	0.35	0.70	1.05	1.40	1.75	2.10	2.45	2.80	3.15	690	
72.7	78.2	82.2	87.6	92.9	98.2	104.8	0.00	0.36	0.71	1.07	1.42	1.78	2.13	2.49	2.84	3.20	700	
81.6	87.7	92.3	98.3	104.3	110.2	117.5	0.00	0.41	0.81	1.22	1.62	2.03	2.44	2.84	3.25	3.65	800	
87.7	94.3	99.2	105.7	112.1	118.4	126.3	0.00	0.44	0.88	1.32	1.77	2.21	2.65	3.09	3.53	3.97	870	
90.3	97.1	102.1	108.8	115.4	121.9	130.0	0.00	0.46	0.91	1.37	1.83	2.28	2.74	3.20	3.65	4.11	900	
98.9	106.3	111.8	119.1	126.3	133.4	142.2	0.00	0.51	1.01	1.52	2.03	2.54	3.04	3.55	4.06	4.57	1000	
112.3	120.7	126.9	135.1	143.2	151.3	161.2	0.00	0.59	1.18	1.77	2.35	2.94	3.53	4.12	4.71	5.30	1160	
158.9	170.5	179.1	190.3	201.4	212.3	225.7	0.00	0.89	1.78	2.66	3.55	4.44	5.33	6.22	7.10	7.99	1750	
177.3	190.1	199.5	211.9	224.0			0.00	1.02	2.03	3.04	4.06	5.08	6.09	7.10	8.12	9.13	2000	
							0.00	1.52	3.04	4.57	6.09	7.61	9.13	10.7	12.2	13.7	3000	
							0.00	1.75	3.50	5.25	7.00	8.75	10.5	12.3	14.0	15.8	3450	
							0.00	2.03	4.06	6.09	8.12	10.2	12.2	14.2	16.2	18.3	4000	

Horsepower Rating for 37mm Wide

Rated Horsepower for Small Sprocket (Number of Grooves and Pitch Diameter Inches)								Additional Horsepower per belt for Speed Ratio of Speed-Down Drives										RPM of Faster Shaft
56 9.825	60 10.527	63 11.053	67 11.755	71 12.457	75 13.158	80 14.036	1.00 to 1.03	1.04 to 1.10	1.11 to 1.19	1.20 to 1.30	1.31 to 1.45	1.46 to 1.67	1.68 to 2.02	2.03 to 2.69	2.70 to 4.64	4.65 & Over		
Refer to selection program : http://beltdriveselector.tbwoods.com																		Slower
22.7	24.4	25.7	27.3	29.0	30.7	32.7	0.00	0.08	0.17	0.25	0.33	0.41	0.50	0.58	0.66	0.74	88	
25.3	27.2	28.6	30.4	32.3	34.1	36.4	0.00	0.09	0.19	0.28	0.38	0.47	0.56	0.66	0.75	0.84	100	
28.8	31.0	32.6	34.7	36.8	38.9	41.6	0.00	0.11	0.22	0.33	0.44	0.55	0.66	0.77	0.88	0.99	117	
40.6	43.6	45.9	48.9	51.8	54.8	58.5	0.00	0.16	0.33	0.49	0.66	0.82	0.99	1.15	1.31	1.48	175	
45.5	48.9	51.4	54.8	58.1	61.5	65.6	0.00	0.19	0.38	0.56	0.75	0.94	1.13	1.31	1.50	1.69	200	
51.9	55.7	58.6	62.5	66.3	70.1	74.8	0.00	0.22	0.44	0.66	0.88	1.09	1.31	1.53	1.75	1.97	233	
64.5	69.3	72.9	77.7	82.5	87.2	93.1	0.00	0.28	0.56	0.84	1.13	1.41	1.69	1.97	2.25	2.53	300	
73.7	79.2	83.4	88.8	94.3	99.7	106.4	0.00	0.33	0.66	0.99	1.31	1.64	1.97	2.30	2.63	2.96	350	
82.8	89.0	93.6	99.7	105.8	111.9	119.4	0.00	0.38	0.75	1.13	1.50	1.88	2.25	2.63	3.00	3.38	400	
100.5	108.0	113.6	121.0	128.4	135.8	144.9	0.00	0.47	0.94	1.41	1.88	2.35	2.82	3.29	3.75	4.22	500	
113.4	121.9	128.3	136.7	145.0	153.3	163.6	0.00	0.54	1.08	1.62	2.16	2.70	3.24	3.78	4.32	4.86	575	
117.7	126.5	133.1	141.8	150.4	159.0	169.7	0.00	0.56	1.13	1.69	2.25	2.82	3.38	3.94	4.51	5.07	600	
132.8	142.8	150.2	160.0	169.8	179.4	191.5	0.00	0.65	1.30	1.94	2.59	3.24	3.89	4.53	5.18	5.83	690	
134.5	144.6	152.1	162.0	171.9	181.7	193.8	0.00	0.66	1.31	1.97	2.63	3.29	3.94	4.60	5.26	5.91	700	
151.0	162.3	170.7	181.8	192.9	203.8	217.4	0.00	0.75	1.50	2.25	3.00	3.76	4.51	5.26	6.01	6.76	800	
162.3	174.5	183.5	195.5	207.3	219.1	233.6	0.00	0.82	1.63	2.45	3.27	4.08	4.90	5.72	6.53	7.35	870	
167.1	179.6	188.9	201.2	213.4	225.5	240.5	0.00	0.85	1.69	2.53	3.38	4.23	5.07	5.91	6.76	7.60	900	
183.0	196.7	206.8	220.3	233.6	246.8	263.1	0.00	0.94	1.88	2.82	3.76	4.69	5.63	6.57	7.51	8.45	1000	
207.8	223.3	234.8	250.0	265.0	279.8	298.2	0.00	1.09	2.18	3.27	4.36	5.45	6.53	7.62	8.71	9.80	1160	
293.9	315.4	331.3	352.1	372.6	392.8	417.5	0.00	1.64	3.29	4.93	6.57	8.22	9.85	11.5	13.1	14.8	1750	
328.0	351.7	369.1	392.0	414.4			0.00	1.88	3.76	5.63	7.51	9.39	11.3	13.1	15.0	16.9	2000	
							0.00	2.82	5.63	8.45	11.3	14.1	16.9	19.7	22.5	25.3	3000	
							0.00	3.24	6.48	9.71	13.0	16.2	19.4	22.7	25.9	29.1	3450	
							0.00	3.76	7.51	11.3	15.0	18.8	22.5	26.3	30.0	33.8	4000	

QT Power Chain® II Carbon Belt Length Correction Factor Table

Pitch/Length Designation	Number of Teeth	Correction Factor	Pitch/Length Designation	Number of Teeth	Correction Factor
14MPCC-994	71	0.68	14MPCC-2450	175	1.02
14MPCC-1120	80	0.73	14MPCC-2520	180	1.03
14MPCC-1190	85	0.75	14MPCC-2590	185	1.04
14MPCC-1260	90	0.77	14MPCC-2660	190	1.05
14MPCC-1400	100	0.81	14MPCC-2800	200	1.07
14MPCC-1568	112	0.85	14MPCC-3136	224	1.12
14MPCC-1610	115	0.86	14MPCC-3304	236	1.14
14MPCC-1750	125	0.89	14MPCC-3360	240	1.14
14MPCC-1890	135	0.92	14MPCC-3500	250	1.16
14MPCC-1960	140	0.94	14MPCC-3850	275	1.19
14MPCC-2100	150	0.96	14MPCC-3920	280	1.20
14MPCC-2240	160	0.99	14MPCC-4326	309	1.24
14MPCC-2310	165	1.00	14MPCC-4410	315	1.25
14MPCC-2380	170	1.01			

QT Power Chain® II Carbon Drive Selection

14mm Basic Horsepower Tables

Horsepower Rating for 68mm Wide

RPM of Faster Shaft	Rated Horsepower for Small Sprocket (Number of Grooves and Pitch Diameter Inches)																	
	28	29	30	31	32	33	34	35	36	37	38	39	40	43	45	48	50	53
	4.912	5.088	5.263	5.439	5.614	5.790	5.965	6.141	6.316	6.492	6.667	6.842	7.018	7.544	7.895	8.421	8.772	9.299
Slower	Refer to selection program : http://belt.driveselector.tbwoods.com																	
88	19.4	20.3	21.1	21.9	22.7	23.5	24.3	25.1	25.9	26.7	27.5	28.3	29.1	31.5	33.1	35.5	37.1	39.4
100	21.6	22.5	23.4	24.3	25.2	26.1	27.0	27.9	28.8	29.7	30.6	31.5	32.4	35.1	36.8	39.5	41.2	43.8
117	24.6	25.6	26.7	27.7	28.7	29.8	30.8	31.8	32.9	33.9	34.9	35.9	36.9	40.0	42.0	45.0	47.0	50.0
175	34.4	35.9	37.4	38.8	40.3	41.8	43.2	44.7	46.1	47.6	49.0	50.5	51.9	56.2	59.1	63.3	66.1	70.4
200	38.5	40.2	41.8	43.5	45.1	46.8	48.4	50.1	51.7	53.3	54.9	56.6	58.2	63.0	66.2	71.0	74.1	78.9
233	43.9	45.8	47.6	49.5	51.4	53.3	55.2	57.0	58.9	60.8	62.6	64.4	66.3	71.8	75.5	80.9	84.5	90.0
300	54.4	56.8	59.1	61.5	63.8	66.2	68.5	70.8	73.2	75.5	77.8	80.1	82.4	89.3	93.8	100.6	105.1	111.9
350	62.0	64.8	67.5	70.2	72.8	75.5	78.2	80.9	83.5	86.2	88.8	91.5	94.1	102.0	107.2	115.0	120.1	127.8
400	69.5	72.6	75.6	78.7	81.7	84.7	87.7	90.7	93.7	96.7	99.7	102.6	105.6	114.4	120.3	129.0	134.8	143.5
500	84.2	87.9	91.6	95.3	99.0	102.7	106.3	110.0	113.6	117.3	120.9	124.5	128.1	138.8	146.0	156.6	163.6	174.2
575	94.9	99.1	103.3	107.5	111.7	115.8	120.0	124.1	128.2	132.3	136.4	140.5	144.6	156.7	164.8	176.8	184.7	196.6
600	98.4	102.8	107.2	111.5	115.8	120.2	124.4	128.7	133.0	137.3	141.5	145.7	150.0	162.6	171.0	184.4	191.7	204.0
690	111.0	115.9	120.8	125.8	130.6	135.5	140.4	145.2	150.1	154.9	159.7	164.5	169.3	183.5	192.9	207.0	216.4	230.3
700	112.4	117.4	122.3	127.3	132.3	137.2	142.1	147.1	151.9	156.8	161.7	166.5	171.4	185.8	195.4	209.6	219.1	233.2
800	126.0	131.6	137.2	142.8	148.4	153.9	159.5	165.0	170.5	176.0	181.4	186.9	192.3	208.5	219.3	235.3	245.9	261.7
870	135.3	141.4	147.4	153.5	159.5	165.5	171.4	177.4	183.3	189.2	195.1	200.9	206.8	224.2	235.8	253.0	264.4	281.4
900	139.3	145.6	151.8	158.0	164.2	170.3	176.5	182.6	188.7	194.8	200.8	206.9	212.9	230.9	242.8	260.5	272.2	289.8
1000	152.4	159.3	166.1	172.9	179.7	186.5	193.2	199.9	206.6	213.3	219.9	226.5	233.1	252.8	265.8	285.2	298.1	317.3
1160	173.0	180.8	188.6	196.4	204.1	211.8	219.4	227.1	234.7	242.3	249.8	257.3	264.8	287.2	302.0	324.0	338.6	360.4
1750	245.1	256.3	267.4	278.4	289.4	300.4	311.3	322.2	333.0	343.8	354.5	365.1	375.8	407.4	428.3	459.3	479.7	510.2
2000	274.1	286.7	299.1	311.5	323.8	336.1	348.2	360.4	372.5	384.5	396.5	408.4	420.3	455.5	478.8	513.2	535.9	569.6
3000	382.9	400.4	417.7	435.0	452.1	469.2	486.0	502.8	519.4	536.0	552.4	568.6	584.8	632.6				
3450	428.3	447.8	467.1	486.4	505.3	524.3	542.9	561.6	579.9	598.2	616.2	634.1	651.9					
4000	480.9	502.7	524.2	545.6	566.7	587.7	608.3	628.9	649.1									

Horsepower Rating for 90mm Wide

RPM of Faster Shaft	Rated Horsepower for Small Sprocket (Number of Grooves and Pitch Diameter Inches)																	
	28	29	30	31	32	33	34	35	36	37	38	39	40	43	45	48	50	53
	4.912	5.088	5.263	5.439	5.614	5.790	5.965	6.141	6.316	6.492	6.667	6.842	7.018	7.544	7.895	8.421	8.772	9.299
Slower	Refer to selection program : http://belt.driveselector.tbwoods.com																	
88	25.7	26.8	27.9	29.0	30.0	31.1	32.2	33.3	34.3	35.4	36.5	37.5	38.6	41.7	43.8	47.0	49.0	52.2
100	28.6	29.8	31.0	32.2	33.4	34.6	35.8	37.0	38.2	39.3	40.5	41.7	42.9	46.4	48.7	52.2	54.6	58.0
117	32.5	33.9	35.3	36.7	38.0	39.4	40.8	42.1	43.5	44.8	46.2	47.5	48.9	52.9	55.6	59.6	62.2	66.2
175	45.6	47.5	49.5	51.4	53.3	55.3	57.2	59.1	61.1	63.0	64.9	66.8	68.7	74.4	78.2	83.8	87.5	93.1
200	51.0	53.2	55.4	57.6	59.7	61.9	64.1	66.3	68.4	70.6	72.7	74.9	77.0	83.4	87.6	93.9	98.1	104.4
233	58.0	60.6	63.1	65.6	68.0	70.5	73.0	75.5	77.9	80.4	82.9	85.3	87.8	95.0	99.9	107.1	111.9	119.1
300	72.0	75.1	78.2	81.4	84.5	87.6	90.7	93.8	96.8	99.9	102.9	106.0	109.0	118.1	124.2	133.2	139.1	148.1
350	82.1	85.7	89.3	92.9	96.4	100.0	103.5	107.0	110.6	114.1	117.6	121.1	124.6	135.0	141.9	152.1	159.0	169.2
400	92.0	96.1	100.1	104.1	108.1	112.1	116.1	120.1	124.0	128.0	131.9	135.8	139.8	151.5	159.2	170.8	178.5	190.0
500	111.4	116.4	121.3	126.2	131.0	135.9	140.7	145.6	150.4	155.2	160.0	164.8	169.5	183.8	193.2	207.3	216.6	230.5
575	125.6	131.2	136.7	142.3	147.8	153.3	158.8	164.2	169.7	175.1	180.5	185.9	191.3	207.4	218.1	234.0	244.5	260.2
600	130.3	136.1	141.8	147.6	153.3	159.0	164.7	170.4	176.0	181.7	187.3	192.9	198.5	215.2	226.3	242.7	253.7	270.0
690	146.9	153.4	159.9	166.5	172.9	179.4	185.8	192.2	198.6	205.0	211.3	217.7	224.0	242.9	255.4	274.0	286.4	304.8
700	148.7	155.3	161.9	168.5	175.1	181.6	188.1	194.6	201.1	207.6	214.0	220.4	226.8	245.9	258.6	277.4	289.9	308.6
800	166.7	174.2	181.6	189.0	196.4	203.7	211.1	218.4	225.6	232.9	240.1	247.3	254.6	276.0	290.2	311.4	325.5	346.4
870	179.1	187.2	195.1	203.1	211.1	219.0	226.9	234.7	242.6	250.4	258.2	265.9	273.7	296.8	312.1	334.8	349.9	372.5
900	184.4	192.7	200.9	209.1	217.3	225.5	233.6	241.7	249.7	257.8	265.8	273.8	281.8	305.6	321.3	344.8	360.3	383.5
1000	201.8	210.9	219.9	228.9	237.8	246.8	255.7	264.6	273.4	282.3	291.1	299.8	308.6	334.6	351.9	377.5	394.6	419.9
1160	229.0	239.4	249.6	259.9	270.1	280.3	290.4	300.5	310.6	320.6	330.6	340.6	350.5	380.1	399.7	428.9	448.2	477.0
1750	324.4	339.2	353.9	368.5	383.1	397.6	412.0	426.4	440.7	455.0	469.1	483.2	497.3	539.2	566.8	607.9	634.9	675.2
2000	362.8	379.4	395.8	412.3	428.5	444.8	460.9	477.0	493.0	509.0	524.8	540.5	556.3	602.9	633.7	679.2	709.3	753.9
3000	506.8	530.0	552.9	575.8	598.4	620.9	643.2	665.5	687.5	709.4	731.1	752.6	774.0	837.3	878.6			
3450	566.8	592.7	618.3	643.7	668.9	693.9	718.6	743.2	767.5	791.8	815.6	839.3	862.9					
4000	636.5	665.4	693.8	722.2	750.1	777.8	805.1	832.3	859.1									

QT Power Chain® II Carbon Belt Length Correction Factor Table

Pitch/Length Designation	Number of Teeth	Correction Factor	Pitch/Length Designation	Number of Teeth	Correction Factor
14MPCC-994	71	0.68	14MPCC-2450	175	1.02
14MPCC-1120	80	0.73	14MPCC-2520	180	1.03
14MPCC-1190	85	0.75	14MPCC-2590	185	1.04
14MPCC-1260	90	0.77	14MPCC-2660	190	1.05
14MPCC-1400	100	0.81	14MPCC-2800	200	1.07
14MPCC-1568	112	0.85	14MPCC-3136	224	1.12
14MPCC-1610	115	0.86	14MPCC-3304	236	1.14
14MPCC-1750	125	0.89	14MPCC-3360	240	1.14
14MPCC-1890	135	0.92	14MPCC-3500	250	1.16
14MPCC-1960	140	0.94	14MPCC-3850	275	1.19
14MPCC-2100	150	0.96	14MPCC-3920	280	1.20
14MPCC-2240	160	0.99	14MPCC-4326	309	1.24
14MPCC-2310	165	1.00	14MPCC-4410	315	1.25
14MPCC-2380	170	1.01			

QT Power Chain® II Carbon Drive Selection

14mm Basic Horsepower Tables

Horsepower Rating for 68mm Wide

Rated Horsepower for Small Sprocket (Number of Grooves and Pitch Diameter Inches)							Additional Horsepower per belt for Speed Ratio of Speed-Down Drives											RPM of Faster Shaft
56 9.825	60 10.527	63 11.053	67 11.755	71 12.457	75 13.158	80 14.036	1.00 to 1.03	1.04 to 1.10	1.11 to 1.19	1.20 to 1.30	1.31 to 1.45	1.46 to 1.67	1.68 to 2.02	2.03 to 2.69	2.70 to 4.64	4.65 & Over		
Refer to selection program : http://beltdriveselector.tbwoods.com																		
41.8	44.9	47.2	50.3	53.3	56.4	60.2	0.00	0.15	0.30	0.46	0.61	0.76	0.91	1.06	1.21	1.37	Slower	
46.4	49.9	52.5	55.9	59.3	62.7	66.9	0.00	0.17	0.35	0.52	0.69	0.86	1.03	1.21	1.38	1.55	88	
53.0	56.9	59.9	63.8	67.7	71.5	76.4	0.00	0.20	0.40	0.61	0.81	1.01	1.21	1.41	1.61	1.82	100	
74.6	80.1	84.3	89.8	95.3	100.7	107.5	0.00	0.30	0.60	0.91	1.21	1.51	1.81	2.11	2.42	2.72	117	
83.6	89.8	94.5	100.7	106.8	113.0	120.6	0.00	0.35	0.69	1.03	1.38	1.73	2.07	2.42	2.76	3.11	175	
95.3	102.5	107.8	114.8	121.9	128.8	137.5	0.00	0.40	0.80	1.21	1.61	2.01	2.41	2.81	3.22	3.62	200	
118.6	127.4	134.1	142.9	151.6	160.3	171.1	0.00	0.52	1.04	1.55	2.07	2.59	3.10	3.62	4.14	4.66	233	
135.5	145.6	153.2	163.3	173.2	183.2	195.5	0.00	0.60	1.21	1.81	2.42	3.02	3.62	4.23	4.83	5.43	300	
152.1	163.5	172.0	183.3	194.5	205.6	219.5	0.00	0.69	1.38	2.07	2.76	3.45	4.14	4.83	5.52	6.21	350	
184.6	198.5	208.8	222.5	236.1	249.5	266.3	0.00	0.86	1.73	2.59	3.45	4.31	5.17	6.04	6.90	7.76	400	
208.4	224.1	235.7	251.1	266.5	281.7	300.6	0.00	0.99	1.98	2.98	3.97	4.96	5.95	6.94	7.94	8.93	500	
216.3	232.5	244.6	260.6	276.5	292.3	311.9	0.00	1.04	2.07	3.10	4.14	5.18	6.21	7.25	8.28	9.32	575	
244.1	262.4	276.0	294.1	312.0	329.8	351.9	0.00	1.19	2.38	3.57	4.76	5.95	7.14	8.33	9.52	10.7	600	
247.2	265.7	279.5	297.8	315.9	333.9	356.3	0.00	1.21	2.42	3.62	4.83	6.04	7.24	8.45	9.66	10.9	690	
277.4	298.2	313.7	334.2	354.5	374.6	399.6	0.00	1.38	2.76	4.14	5.52	6.90	8.28	9.66	11.0	12.4	700	
298.3	320.6	337.2	359.2	381.0	402.6	429.4	0.00	1.50	3.00	4.50	6.00	7.51	9.00	10.5	12.0	13.5	800	
307.1	330.1	347.2	369.8	392.3	414.5	442.0	0.00	1.55	3.11	4.66	6.21	7.76	9.31	10.9	12.4	14.0	870	
336.3	361.4	380.1	404.8	429.3	453.5	483.5	0.00	1.73	3.45	5.17	6.90	8.63	10.3	12.1	13.8	15.5	900	
381.9	410.4	431.5	454.9	487.0	514.3	548.1	0.00	2.00	4.00	6.00	8.00	10.0	12.0	14.0	16.0	18.0	1000	
540.2	579.6	608.8	647.2	684.9	721.8	767.3	0.00	3.02	6.04	9.05	12.1	15.1	18.1	21.1	24.2	27.2	1160	
602.8	646.3	678.4	720.4	761.6			0.00	3.45	6.90	10.3	13.8	17.3	20.7	24.2	27.6	31.1	1750	
							0.00	5.18	10.4	15.5	20.7	25.9	31.0	36.2	41.4	46.6	2000	
							0.00	5.96	11.9	17.9	23.8	29.8	35.7	41.7	47.6	53.6	3000	
							0.00	6.91	13.8	20.7	27.6	34.5	41.4	48.3	55.2	62.1	3450	
																	4000	

Horsepower Rating for 90mm Wide

Rated Horsepower for Small Sprocket (Number of Grooves and Pitch Diameter Inches)							Additional Horsepower per belt for Speed Ratio of Speed-Down Drives											RPM of Faster Shaft
56 9.825	60 10.527	63 11.053	67 11.755	71 12.457	75 13.158	80 14.036	1.00 to 1.03	1.04 to 1.10	1.11 to 1.19	1.20 to 1.30	1.31 to 1.45	1.46 to 1.67	1.68 to 2.02	2.03 to 2.69	2.70 to 4.64	4.65 & Over		
Refer to selection program : http://beltdriveselector.tbwoods.com																		
55.3	59.4	62.4	66.5	70.6	74.6	79.6	0.00	0.20	0.40	0.60	0.80	1.00	1.21	1.41	1.61	1.81	88	
61.5	66.0	69.5	74.0	78.5	83.0	88.6	0.00	0.23	0.46	0.68	0.91	1.14	1.37	1.60	1.83	2.05	100	
70.1	75.3	79.2	84.4	89.6	94.7	101.1	0.00	0.27	0.53	0.80	1.07	1.34	1.60	1.87	2.14	2.40	117	
98.7	106.1	111.6	118.9	126.1	133.3	142.3	0.00	0.40	0.80	1.20	1.60	2.00	2.40	2.80	3.20	3.60	175	
110.6	118.9	125.1	133.3	141.4	149.5	159.6	0.00	0.46	0.91	1.37	1.83	2.28	2.74	3.20	3.65	4.11	200	
126.2	135.6	142.6	152.0	161.3	170.5	182.0	0.00	0.53	1.06	1.60	2.13	2.66	3.19	3.72	4.26	4.79	233	
156.9	168.7	177.4	189.1	200.6	212.1	226.4	0.00	0.69	1.37	2.05	2.74	3.43	4.11	4.79	5.48	6.16	300	
179.3	192.8	202.8	216.1	229.3	242.4	258.7	0.00	0.80	1.60	2.40	3.20	4.00	4.79	5.59	6.39	7.19	350	
201.3	216.4	227.7	242.6	257.4	272.2	290.5	0.00	0.91	1.83	2.74	3.65	4.57	5.48	6.39	7.31	8.22	400	
244.4	262.7	276.3	294.4	312.4	330.3	352.5	0.00	1.14	2.28	3.42	4.57	5.71	6.85	7.99	9.13	10.3	500	
275.9	296.6	312.0	332.4	352.7	372.8	397.8	0.00	1.31	2.63	3.94	5.25	6.57	7.88	9.19	10.5	11.8	575	
286.2	307.7	323.7	344.9	365.9	386.8	412.8	0.00	1.37	2.74	4.11	5.48	6.85	8.22	9.59	11.0	12.3	600	
323.1	347.3	365.4	389.3	413.0	436.5	465.7	0.00	1.58	3.15	4.73	6.30	7.88	9.45	11.0	12.6	14.2	690	
327.1	351.7	369.9	394.1	418.2	442.0	471.5	0.00	1.60	3.20	4.79	6.39	7.99	9.59	11.2	12.8	14.4	700	
367.2	394.7	415.2	442.3	469.2	495.8	528.9	0.00	1.83	3.65	5.48	7.31	9.14	11.0	12.8	14.6	16.4	800	
394.8	424.4	446.3	475.4	504.3	532.9	568.3	0.00	1.99	3.97	5.96	7.95	9.93	11.9	13.9	15.9	17.9	870	
406.5	436.9	459.6	489.5	519.2	548.6	585.1	0.00	2.06	4.11	6.16	8.22	10.3	12.3	14.4	16.4	18.5	900	
445.1	478.4	503.1	535.8	568.2	600.2	640.0	0.00	2.29	4.57	6.85	9.13	11.4	13.7	16.0	18.3	20.5	1000	
505.5	543.1	571.1	608.0	644.6	680.7	725.4	0.00	2.65	5.30	7.94	10.6	13.2	15.9	18.5	21.2	23.8	1160	
714.9	767.2	805.8	856.5	906.4	955.4	1016	0.00	4.00	7.99	12.0	16.0	20.0	24.0	28.0	32.0	36.0	1750	
797.8	855.4	897.9	953.5	1008			0.00	4.57	9.13	13.7	18.3	22.8	27.4	32.0	36.5	41.1	2000	
							0.00	6.86	13.7	20.5	27.4	34.3	41.1	47.9	54.8	61.6	3000	
							0.00	7.88	15.8	23.6	31.5	39.4	47.3	55.1	63.0	70.9	3450	
							0.00	9.14	18.3	27.4	36.5	45.7	54.8	63.9	73.1	82.2	4000	

QT Power Chain® II Carbon Belt Length Correction Factor Table

Pitch/Length Designation	Number of Teeth	Correction Factor	Pitch/Length Designation	Number of Teeth	Correction Factor
14MPCC-994	71	0.68	14MPCC-2450	175	1.02
14MPCC-1120	80	0.73	14MPCC-2520	180	1.03
14MPCC-1190	85	0.75	14MPCC-2590	185	1.04
14MPCC-1260	90	0.77	14MPCC-2660	190	1.05
14MPCC-1400	100	0.81	14MPCC-2800	200	1.07
14MPCC-1568	112	0.85	14MPCC-3136	224	1.12
14MPCC-1610	115	0.86	14MPCC-3304	236	1.14
14MPCC-1750	125	0.89	14MPCC-3360	240	1.14
14MPCC-1890	135	0.92	14MPCC-3500	250	1.16
14MPCC-1960	140	0.94	14MPCC-3850	275	1.19
14MPCC-2100	150	0.96	14MPCC-3920	280	1.20
14MPCC-2240	160	0.99	14MPCC-4326	309	1.24
14MPCC-2310	165	1.00	14MPCC-4410	315	1.25
14MPCC-2380	170	1.01			

QT Power Chain® II Carbon Drive Selection

14mm Basic Horsepower Tables

Horsepower Rating for 125mm Wide

RPM of Faster Shaft	Rated Horsepower for Small Sprocket (Number of Grooves and Pitch Diameter Inches)																	
	28	29	30	31	32	33	34	35	36	37	38	39	40	43	45	48	50	53
	4.912	5.088	5.263	5.439	5.614	5.790	5.965	6.141	6.316	6.492	6.667	6.842	7.018	7.544	7.895	8.421	8.772	9.299
Slower	Refer to selection program : http://beltdriveselector.tbwoods.com																	
88	35.7	37.2	38.7	40.2	41.7	43.2	44.7	46.2	47.7	49.2	50.6	52.1	53.6	58.0	60.9	65.2	68.1	72.4
100	39.7	41.4	43.0	44.7	46.4	48.0	49.7	51.3	53.0	54.6	56.3	57.9	59.6	64.5	67.7	72.5	75.8	80.6
117	45.2	47.1	49.0	50.9	52.8	54.7	56.6	58.5	60.4	62.3	64.2	66.0	67.9	73.5	77.2	82.7	86.4	91.9
175	63.3	66.0	68.7	71.4	74.1	76.8	79.5	82.1	84.8	87.5	90.1	92.8	95.4	103.3	108.6	116.4	121.6	129.4
200	70.8	73.9	76.9	80.0	83.0	86.0	89.0	92.0	95.0	98.0	101.0	104.0	106.9	115.8	121.7	130.5	136.3	145.0
233	80.6	84.1	87.6	91.1	94.5	98.0	101.4	104.8	108.3	111.7	115.1	118.5	121.9	132.0	138.7	148.7	155.4	165.4
300	100.0	104.3	108.7	113.0	117.3	121.6	125.9	130.2	134.5	138.7	143.0	147.2	151.5	164.1	172.5	184.9	193.2	205.6
350	114.0	119.0	124.0	129.0	133.9	138.9	143.8	148.7	153.5	158.4	163.3	168.1	173.0	187.4	197.0	211.3	220.8	235.0
400	127.8	133.5	139.1	144.6	150.2	155.8	161.3	166.8	172.3	177.8	183.2	188.7	194.1	210.4	221.2	237.2	247.9	263.8
500	154.8	161.6	168.4	175.2	182.0	188.8	195.5	202.2	208.9	215.6	222.2	228.8	235.5	255.2	268.3	287.8	300.8	320.2
575	174.5	182.2	189.9	197.6	205.3	212.9	220.5	228.1	235.7	243.2	250.7	258.2	265.7	288.1	302.9	324.9	339.6	361.4
600	181.0	189.0	197.0	205.0	212.9	220.9	228.8	236.7	244.5	252.3	260.1	267.9	275.7	298.9	314.2	337.1	352.3	375.0
690	204.0	213.1	222.1	231.2	240.2	249.1	258.1	267.0	275.8	284.7	293.5	302.3	311.1	337.3	354.7	380.6	397.7	423.3
700	206.5	215.8	224.9	234.1	243.1	252.2	261.3	270.3	279.3	288.3	297.2	306.1	315.0	341.5	359.1	385.3	402.7	428.6
800	231.6	241.9	252.2	262.5	272.7	283.0	293.1	303.3	313.4	323.5	333.5	343.5	353.6	383.4	403.1	432.5	452.0	481.2
870	248.8	260.0	271.0	282.1	293.1	304.2	315.1	326.0	336.9	347.8	358.6	369.3	380.1	412.2	433.4	465.0	486.0	517.3
900	256.1	267.6	279.0	290.5	301.8	313.1	324.4	335.7	346.9	358.1	369.2	380.3	391.4	424.4	446.3	478.8	500.4	532.7
1000	280.2	292.9	305.4	317.9	330.3	342.8	355.1	367.5	379.8	392.1	404.2	416.4	428.6	464.7	488.7	524.4	548.0	583.3
1160	318.0	332.4	346.7	361.0	375.1	389.3	403.3	417.4	431.3	445.3	459.2	473.0	486.8	527.9	555.2	595.6	622.5	662.4
1750	450.5	471.1	491.5	511.8	532.0	552.2	572.2	592.2	612.1	631.9	651.6	671.1	690.8	748.9	787.3	844.2	881.9	937.8
2000	503.9	527.0	549.8	572.6	595.2	617.8	640.2	662.5	684.7	706.9	728.8	750.7	772.6	837.3	880.1	943.4	985.1	1047
3000	703.8	736.1	767.9	799.7	831.1	862.4	893.4	924.3	954.8	985.3	1015	1045	1075	1163	1220			
3450	787.3	823.2	858.7	894.1	928.9	963.7	998.1	1032	1066	1100	1133	1166	1198					
4000	884.0	924.1	963.7	1003	1042	1080	1118	1156	1193									

Rated Horsepower for Small Sprocket (Number of Grooves and Pitch Diameter Inches)								Additional Horsepower per belt for Speed Ratio of Speed-Down Drives								RPM of Faster Shaft	
56	60	63	67	71	75	80	1.00 to	1.04 to	1.11 to	1.20 to	1.31 to	1.46 to	1.68 to	2.03 to	2.70 to		4.65 &
9.825	10.527	11.053	11.755	12.457	13.158	14.036	1.03	1.10	1.19	1.30	1.45	1.67	2.02	2.69	4.64		Over
Refer to selection program : http://beltdriveselector.tbwoods.com																	Slower
76.7	82.5	86.7	92.4	98.0	103.6	110.6	0.00	0.28	0.56	0.84	1.12	1.40	1.67	1.95	2.23	2.51	88
85.4	91.7	96.5	102.8	109.0	115.3	123.0	0.00	0.32	0.63	0.95	1.27	1.59	1.90	2.22	2.54	2.85	100
97.4	104.6	110.1	117.2	124.4	131.5	140.4	0.00	0.37	0.74	1.11	1.48	1.86	2.23	2.60	2.97	3.34	117
137.1	147.3	154.9	165.1	175.2	185.2	197.7	0.00	0.56	1.11	1.66	2.22	2.78	3.33	3.88	4.44	4.99	175
153.7	165.2	173.7	185.1	196.4	207.6	221.6	0.00	0.63	1.27	1.90	2.54	3.17	3.81	4.44	5.07	5.71	200
175.2	188.3	198.1	211.1	224.0	236.8	252.8	0.00	0.74	1.48	2.22	2.96	3.70	4.43	5.17	5.91	6.65	233
217.9	234.3	246.4	262.6	278.7	294.6	314.4	0.00	0.95	1.90	2.85	3.81	4.76	5.71	6.66	7.61	8.56	300
249.1	267.7	281.6	300.1	318.5	336.7	359.4	0.00	1.11	2.22	3.33	4.44	5.55	6.66	7.77	8.88	9.99	350
279.6	300.6	316.2	337.0	357.6	378.0	403.5	0.00	1.27	2.54	3.80	5.08	6.34	7.61	8.88	10.1	11.4	400
339.4	364.8	383.8	409.0	433.9	458.7	489.6	0.00	1.59	3.17	4.76	6.34	7.93	9.51	11.1	12.7	14.3	500
383.1	411.9	433.3	461.7	489.8	517.8	552.8	0.00	1.82	3.65	5.47	7.30	9.12	10.9	12.8	14.6	16.4	575
397.5	427.4	449.6	479.0	508.2	537.2	573.3	0.00	1.90	3.81	5.71	7.61	9.52	11.4	13.3	15.2	17.1	600
448.7	482.4	507.4	540.6	573.6	606.2	646.8	0.00	2.19	4.38	6.56	8.75	10.9	13.1	15.3	17.5	19.7	690
454.4	488.4	513.8	547.4	580.8	613.8	654.9	0.00	2.22	4.44	6.66	8.88	11.1	13.3	15.5	17.8	20.0	700
510.0	548.2	576.7	614.3	651.7	688.7	734.6	0.00	2.54	5.07	7.61	10.2	12.7	15.2	17.8	20.3	22.8	800
548.3	589.4	619.9	660.3	700.4	740.1	789.4	0.00	2.76	5.52	8.28	11.0	13.8	16.6	19.3	22.1	24.8	870
564.6	606.9	638.3	679.9	721.1	761.9	812.6	0.00	2.86	5.71	8.56	11.4	14.3	17.1	20.0	22.8	25.7	900
618.2	664.4	698.7	744.1	789.1	833.7	888.8	0.00	3.17	6.34	9.51	12.7	15.9	19.0	22.2	25.4	28.5	1000
702.0	754.3	793.1	844.5	895.2	945.4	1008	0.00	3.68	7.36	11.0	14.7	18.4	22.1	25.8	29.4	33.1	1160
992.9	1066	1119	1190	1259	1327	1410	0.00	5.55	11.1	16.6	22.2	27.8	33.3	38.8	44.4	49.9	1750
1108	1188	1247	1324	1400			0.00	6.35	12.7	19.0	25.4	31.7	38.1	44.4	50.7	57.1	2000
							0.00	9.52	19.0	28.5	38.1	47.6	57.1	66.6	76.1	85.6	3000
							0.00	10.9	21.9	32.8	43.8	54.7	65.6	76.6	87.5	98.5	3450
							0.00	12.7	25.4	38.0	50.8	63.4	76.1	88.8	101.5	114.2	4000

QT Power Chain® II Carbon Belt Length Correction Factor Table

Pitch/Length Designation	Number of Teeth	Correction Factor	Pitch/Length Designation	Number of Teeth	Correction Factor
14MPCC-994	71	0.68	14MPCC-2450	175	1.02
14MPCC-1120	80	0.73	14MPCC-2520	180	1.03
14MPCC-1190	85	0.75	14MPCC-2590	185	1.04
14MPCC-1260	90	0.77	14MPCC-2660	190	1.05
14MPCC-1400	100	0.81	14MPCC-2800	200	1.07
14MPCC-1568	112	0.85	14MPCC-3136	224	1.12
14MPCC-1610	115	0.86	14MPCC-3304	236	1.14
14MPCC-1750	125	0.89	14MPCC-3360	240	1.14
14MPCC-1890	135	0.92	14MPCC-3500	250	1.16
14MPCC-1960	140	0.94	14MPCC-3850	275	1.19
14MPCC-2100	150	0.96	14MPCC-3920	280	1.20
14MPCC-2240	160	0.99	14MPCC-4326	309	1.24
14MPCC-2310	165	1.00	14MPCC-4410	315	1.25
14MPCC-2380	170	1.01			

TAPER-LOCK™ BUSHINGS

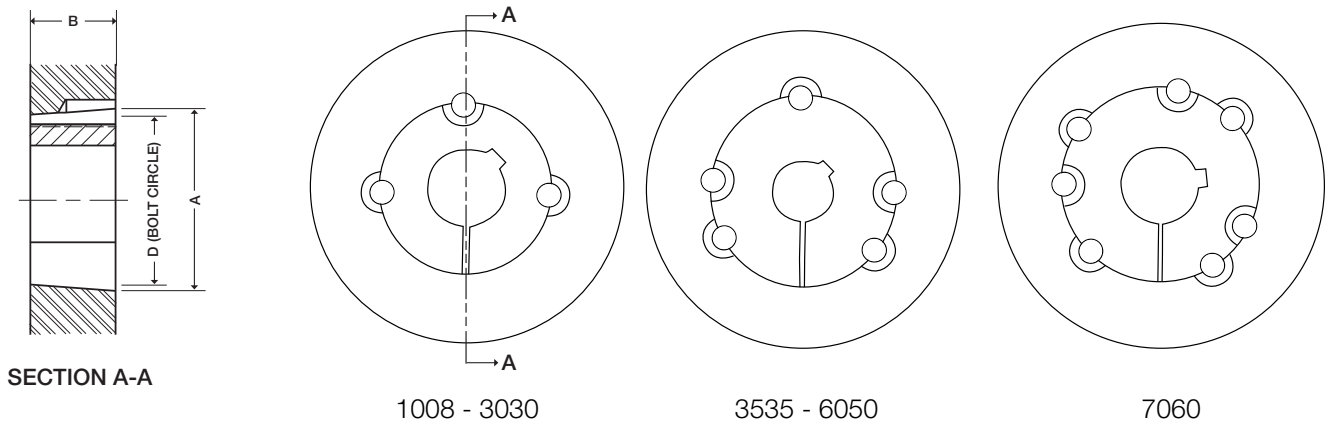


- **Bushing Bore and Keyseat Information Inches**
- **Bushing Bore and Keyseat Information Metric**
- **Installation Instructions**

Taper-Lock™ is a trademark of Baldor Electric Company

TAPER-LOCK BUSHINGS

Dimensions & Rating Table



Taper-Lock Bushings

Bushing Size	Torque Capacity (lb-in)	Bore Range (in)			Dimensions		Bolt Circle (in)	Mounting Screws	
		Min. Bore	Max Bore*		A	B		Qty.	Size
			Standard Keyseat	Shallow Keyseat					
1008	1,200	0.500	0.875	1.000	1.382	0.875	1.328	2	1/4x1/2
1108	1,300	0.500	1.000	1.125	1.507	0.875	1.453	2	1/4x1/2
1210	3,600	0.500	1.250	—	1.874	1.000	1.750	2	3/8x5/8
1215	3,550	0.500	1.250	—	1.874	1.500	1.750	2	3/8x5/8
1310	3,850	0.500	1.375	1.438	2.000	1.000	1.875	2	3/8x5/8
1610	4,300	0.500	1.500	1.688	2.249	1.000	2.125	2	3/8x5/8
1615	4,300	0.500	1.500	1.688	2.249	1.500	2.125	2	3/8x5/8
2012	7,150	0.500	1.875	2.125	2.749	1.250	2.625	2	7/16x7/8
2517	11,600	0.500	2.250	2.688	3.374	1.750	3.250	2	1/2x1
2525	11,300	0.750	2.250	2.500	3.374	2.500	3.250	2	1/2x1
3020	24,000	0.875	2.750	3.250	4.249	2.000	4.000	2	5/8x1-1/4
3030	24,000	0.938	2.750	3.250	4.249	3.000	4.000	2	5/8x1-1/4
3525	44,800	1.188	3.250	3.938	4.996	2.500	4.830	3	1/2x1-1/2
3535	44,800	1.188	3.250	3.938	4.996	3.500	4.830	3	1/2x1-1/2
4030	77,300	1.438	3.625	4.438	5.746	3.000	5.540	3	5/8x1-3/4
4040	77,300	1.438	3.625	4.438	5.746	4.000	5.540	3	5/8x1-3/4
4535	110,000	1.938	4.250	4.938	6.371	3.500	6.130	3	3/4x2
4545	110,000	1.938	4.250	4.938	6.371	4.500	6.130	3	3/4x2
5040	126,000	2.438	4.500	5.000	6.996	4.000	6.720	3	7/8x2-1/4
5050	126,000	2.438	4.500	5.000	6.996	5.000	6.720	3	7/8x2-1/4
6050	282,000	3.000	6.000	—	9.244	5.000	9.000	3	1-1/4x3-1/2
7060	416,000	3.000	7.000	—	10.244	6.000	10.000	4	1-1/4x3-1/2

*Key is furnished with each bushing having a shallow keyseat.

TAPER-LOCK BUSHINGS

Bushing Bore & Keyway Information

Inch Bores

Part Number	Bore	Keyseat	Weight
TL1008 BUSHINGS			
TL100812	1/2	1/8 x 1/16	0.3
TL10089/16	9/16	1/8 x 1/16	0.3
TL100858	5/8	3/16 x 3/32	0.2
TL10081116	11/16	3/16 x 3/32	0.2
TL100834	3/4	3/16 x 3/32	0.2
TL10081316	13/16	3/16 x 3/32	0.2
TL100878	7/8	3/16 x 3/32	0.2
TL10081516	15/16	1/4 x 1/16	0.2
TL10081	1	1/4 x 1/16	0.2
TL1108 BUSHINGS			
TL110812	1/2	1/8 x 1/16	0.5
TL1108916	9/16	1/8 x 1/16	0.3
TL1108916	9/16	1/8 x 1/16	0.3
TL110858	5/8	3/16 x 3/32	0.5
TL11081116	11/16	3/16 x 3/32	0.3
TL110834	3/4	3/16 x 3/32	0.5
TL11081316	13/16	3/16 x 3/32	0.3
TL110878	7/8	3/16 x 3/32	0.5
TL11081516	15/16	1/4 x 1/8	0.2
TL11081	1	1/4 x 1/8	0.5
TL11081116	1-1/16	1/4 x 1/16	0.2
TL1108118	1-1/8	1/4 x 1/16	0.5
TL1210 BUSHINGS			
TL121012	1/2	1/8 x 1/16	0.6
TL12109/16	9/16	1/8 x 1/16	0.6
TL121058	5/8	3/16 x 3/32	0.6
TL121011/16	11/16	3/16 x 3/32	0.6
TL121034	3/4	3/16 x 3/32	0.6
TL121013/16	13/16	3/16 x 3/32	0.6
TL121078	7/8	3/16 x 3/32	0.6
TL121015/16	15/16	1/4 x 1/8	0.5
TL12101	1	1/4 x 1/8	0.5
TL12101116	1-1/16	1/4 x 1/8	0.5
TL1210118	1-1/8	1/4 x 1/8	0.5
TL12101316	1-3/16	1/4 x 1/8	0.5
TL1210114	1-1/4	1/4 x 1/8	0.5
TL1215 BUSHINGS			
TL121512	1/2	1/8 x 1/16	0.8
TL12159/16	9/16	1/8 x 1/16	0.8
TL121558	5/8	3/16 x 3/32	0.7
TL121511/16	11/16	3/16 x 3/32	0.7
TL121534	3/4	3/16 x 3/32	0.7
TL121513/16	13/16	3/16 x 3/32	0.7
TL121578	7/8	3/16 x 3/32	0.8
TL121515/16	15/16	1/4 x 1/8	0.6
TL12151	1	1/4 x 1/8	0.6
TL12151116	1-1/16	1/4 x 1/8	0.6
TL1215118	1-1/8	1/4 x 1/8	0.6
TL12151316	1-3/16	1/4 x 1/8	0.6
TL1215114	1-1/4	1/4 x 1/8	0.6

Part Number	Bore	Keyseat	Weight
TL1310 BUSHINGS			
TL131012	1/2	1/8 x 1/16	0.7
TL13109/16	9/16	1/8 x 1/16	0.7
TL131058	5/8	3/16 x 3/32	0.7
TL131011/16	11/16	3/16 x 3/32	0.7
TL131034	3/4	3/16 x 3/32	0.6
TL131013/16	13/16	3/16 x 3/32	0.6
TL131078	7/8	3/16 x 3/32	0.6
TL131015/16	15/16	1/4 x 1/8	0.6
TL13101	1	1/4 x 1/8	0.6
TL13101116	1-1/16	1/4 x 1/8	0.5
TL1310118	1-1/8	1/4 x 1/8	0.5
TL13101316	1-3/16	1/4 x 1/8	0.5
TL1310114	1-1/4	1/4 x 1/8	0.4
TL13101516	1-5/16	5/16 x 5/32	0.4
TL1310138	1-3/8	5/16 x 5/32	0.4
TL13101716	1-7/16	3/8 x 1/8	0.4
TL1610 BUSHINGS			
TL161012	1/2	1/8 x 1/16	0.9
TL16109/16	9/16	1/8 x 1/16	0.9
TL161058	5/8	3/16 x 3/32	0.8
TL161011/16	11/16	3/16 x 3/32	0.8
TL161034	3/4	3/16 x 3/32	0.8
TL161013/16	13/16	3/16 x 3/32	0.8
TL161078	7/8	3/16 x 3/32	0.8
TL161015/16	15/16	1/4 x 1/8	0.7
TL16101	1	1/4 x 1/8	0.7
TL16101116	1-1/16	1/4 x 1/8	0.7
TL1610118	1-1/8	1/4 x 1/8	0.7
TL16101316	1-3/16	1/4 x 1/8	0.7
TL1610114	1-1/4	1/4 x 1/8	0.7
TL16101516	1-5/16	5/16 x 5/32	0.7
TL1610138	1-3/8	5/16 x 5/32	0.7
TL16101716	1-7/16	3/8 x 3/16	0.6
TL1610112	1-1/2	3/8 x 3/16	0.6
TL16101916	1-9/16	3/8 x 1/8	0.5
TL1610158	1-5/8	3/8 x 1/8	0.5
TL161011116	1-11/16	3/8 x 1/8	0.5
TL1615 BUSHINGS			
TL161512	1/2	1/8 x 1/16	1.2
TL16159/16	9/16	1/8 x 1/16	1.3
TL161558	5/8	3/16 x 3/32	1.1
TL161511/16	11/16	3/16 x 3/32	1.1
TL161534	3/4	3/16 x 3/32	1.1
TL161513/16	13/16	3/16 x 3/32	1.2
TL161578	7/8	3/16 x 3/32	1.1
TL161515/16	15/16	1/4 x 1/8	1.0
TL16151	1	1/4 x 1/8	1.0
TL16151116	1-1/16	1/4 x 1/8	1.0
TL1615118	1-1/8	1/4 x 1/8	1.0
TL16151316	1-3/16	1/4 x 1/8	1.0
TL1615114	1-1/4	1/4 x 1/8	1.0
TL16151516	1-5/16	5/16 x 5/32	0.8
TL1615138	1-3/8	5/16 x 5/32	0.8
TL16151716	1-7/16	3/8 x 3/16	0.7
TL1615112	1-1/2	3/8 x 3/16	0.7
TL16151619	1-9/16	3/8 x 1/8	0.7
TL1615158	1-5/8	3/8 x 1/8	0.6
TL161511116	1-11/16	3/8 x 1/8	0.5

TAPER-LOCK BUSHINGS

Bushing Bore & Keyway Information

Inch Bores

Part Number	Bore	Keyseat	Weight
TL2012 BUSHINGS			
TL201212	1/2	1/8 x 1/16	1.7
TL20129/16	9/16	1/8 x 1/16	1.7
TL201258	5/8	3/16 x 3/32	1.6
TL201211/16	11/16	3/16 x 3/32	1.6
TL201234	3/4	3/16 x 3/32	1.6
TL201213/16	13/16	3/16 x 3/32	1.6
TL201278	7/8	3/16 x 3/32	1.6
TL201215/16	15/16	1/4 x 1/8	1.5
TL20121	1	1/4 x 1/8	1.5
TL20121116	1-1/16	1/4 x 1/8	1.4
TL2012118	1-1/8	1/4 x 1/8	1.5
TL20121316	1-3/16	1/4 x 1/8	1.5
TL2012114	1-1/4	1/4 x 1/8	1.5
TL20121516	1-5/16	5/16 x 5/32	1.4
TL2012138	1-3/8	5/16 x 5/32	1.4
TL20121716	1-7/16	3/8 x 3/16	1.2
TL2012112	1-1/2	3/8 x 3/16	1.2
TL20121916	1-9/16	3/8 x 3/16	1.2
TL2012158	1-5/8	3/8 x 3/16	1.2
TL201211116	1-11/16	3/8 x 3/16	1.2
TL2012134	1-3/4	3/8 x 3/16	1.2
TL201211316	1-13/16	1/2 x 1/4	1.0
TL2012178	1-7/8	1/2 x 1/4	1.0
TL201211516	1-15/16	1/2 x 3/16	1.0
TL2012122	2	1/2 x 3/16	1.0
TL2012218	2-1/8	1/2 x 3/16	0.8
TL2517 BUSHINGS			
TL251712	1/2	1/8 x 1/16	2.0
TL25179/16	9/16	1/8 x 1/16	3.4
TL251758	5/8	3/16 x 3/32	3.4
TL251711/16	11/16	3/16 x 3/32	3.4
TL251734	3/4	3/16 x 3/32	3.3
TL251713/16	13/16	3/16 x 3/32	3.3
TL251778	7/8	3/16 x 3/32	2.0
TL251715/16	15/16	1/4 x 1/8	3.3
TL25171	1	1/4 x 1/8	2.0
TL25171116	1-1/16	1/4 x 1/8	3.2
TL2517118	1-1/8	1/4 x 1/8	3.1
TL25171316	1-3/16	1/4 x 1/8	2.0
TL2517114	1-1/4	1/4 x 1/8	2.0
TL25171516	1-5/16	5/16 x 5/32	2.9
TL2517138	1-3/8	5/16 x 5/32	2.0
TL25171716	1-7/16	3/8 x 3/16	2.0
TL2517112	1-1/2	3/8 x 3/16	2.0
TL25171916	1-9/16	3/8 x 3/16	2.7
TL2517158	1-5/8	3/8 x 3/16	2.0
TL251711116	1-11/16	3/8 x 3/16	2.0
TL2517134	1-3/4	3/8 x 3/16	2.0
TL251711316	1-13/16	1/2 x 1/4	2.4
TL2517178	1-7/8	1/2 x 1/4	2.0
TL251711516	1-15/16	1/2 x 1/4	2.0
TL25172	2	1/2 x 1/4	2.0
TL25172116	2-1/16	1/2 x 1/4	2.3
TL2517218	2-1/8	1/2 x 1/4	2.0

Part Number	Bore	Keyseat	Weight
TL25172316	2-3/16	1/2 x 1/4	2
TL2517214	2-1/4	1/2 x 1/4	2
TL25172516	2-5/16	5/8 x 3/16	1.9
TL2517238	2-3/8	5/8 x 3/16	2
TL25172716	2-7/16	5/8 x 3/16	2
TL2517212	2-1/2	5/8 x 3/16	1.6
TL2517258	2-5/8	5/8 x 3/16	2
TL251721116	2-11/16	5/8 x 3/16	1.4
TL2525 BUSHINGS			
TL252534	3/4	3/16 x 3/32	4.9
TL252578	7/8	3/16 x 3/32	4.8
TL25251	1	1/4 x 1/8	4.7
TL2525118	1-1/8	1/4 x 1/8	4.6
TL25251316	1-3/16	1/4 x 1/8	4.5
TL2525114	1-1/4	1/4 x 1/8	4.4
TL2525138	1-3/8	5/16 x 5/32	4.2
TL25251716	1-7/16	3/8 x 3/16	4.2
TL2525112	1-1/2	3/8 x 3/16	4
TL2525158	1-5/8	3/8 x 3/16	3.9
TL252511116	1-11/16	3/8 x 3/16	3.8
TL2525134	1-3/4	3/8 x 3/16	3.7
TL252511316	1-13/16	1/2 x 1/4	3.5
TL2525178	1-7/8	1/2 x 1/4	3.4
TL252511516	1-15/16	1/2 x 1/4	3.3
TL25252	2	1/2 x 1/4	3.2
TL2525218	2-1/8	1/2 x 1/4	2.9
TL25252316	2-3/16	1/2 x 1/4	2.8
TL2525214	2-1/4	1/2 x 1/4	2.6
TL25252516	2-5/16	5/8 x 3/16	2.4
TL2525238	2-3/8	5/8 x 3/16	2.6
TL25252716	2-7/16	5/8 x 3/16	2.4
TL2525212	2-1/2	5/8 x 3/16	2.2
TL3020 BUSHINGS			
TL302078	7/8	3/16 x 3/32	6.2
TL302015/16	15/16	1/4 x 1/8	6.1
TL30201	1	1/4 x 1/8	6.1
TL3020118	1-1/8	1/4 x 1/8	5.9
TL30201316	1-3/16	1/4 x 1/8	6
TL3020114	1-1/4	1/4 x 1/8	5.9
TL30201516	1-5/16	5/16 x 5/32	5.8
TL3020138	1-3/8	5/16 x 5/32	6.1
TL30201716	1-7/16	3/8 x 3/16	5.7
TL3020112	1-1/2	3/8 x 3/16	6
TL30201916	1-9/16	3/8 x 3/16	5.5
TL3020158	1-5/8	3/8 x 3/16	5.5
TL302011116	1-11/16	3/8 x 3/16	5.4
TL3020134	1-3/4	3/8 x 3/16	5.3
TL302011316	1-13/16	1/2 x 1/4	5.4
TL3020178	1-7/8	1/2 x 1/4	5.1
TL302011516	1-15/16	1/2 x 1/4	5
TL30202	2	1/2 x 1/4	5.3
TL30202116	2-1/16	1/2 x 1/4	4.8
TL3020218	2-1/8	1/2 x 1/4	5
TL30202316	2-3/16	1/2 x 1/4	4.9

TAPER-LOCK BUSHINGS

Bushing Bore & Keyway Information

Inch Bores

Part Number	Bore	Keyseat	Weight
TL3020214	2-1/4	1/2 x 1/4	4.8
TL30202516	2-5/16	5/8 x 5/16	5.4
TL3020238	2-3/8	5/8 x 5/16	4
TL30202716	2-7/16	5/8 x 5/16	4.4
TL3020212	2-1/2	5/8 x 5/16	4.1
TL3020258	2-5/8	5/8 x 5/16	3.8
TL302021116	2-11/16	5/8 x 5/16	3.7
TL3020234	2-3/4	5/8 x 5/16	5
TL302021316	2-13/16	3/4 x 1/4	3.7
TL3020278	2-7/8	3/4 x 1/4	3.8
TL302021516	2-15/16	3/4 x 1/4	3.4
TL30203	3	3/4 x 1/4	3.4
TL3020318	3-1/8	3/4 x 1/4	3.4
TL30203316	3-3/16	3/4 x 1/4	3.1
TL3020314	3-1/4	3/4 x 1/4	3
TL3030 BUSHINGS			
TL303015/16	15/16	1/4 x 1/8	10
TL30301	1	1/4 x 1/8	9.4
TL3030118	1-1/8	1/4 x 1/8	9.4
TL30301316	1-3/16	1/4 x 1/8	9.2
TL3030114	1-1/4	1/4 x 1/8	9
TL30301516	1-5/16	5/16 x 5/32	8.9
TL3030138	1-3/8	5/16 x 5/32	8.8
TL30301716	1-7/16	3/8 x 3/16	8.6
TL3030112	1-1/2	3/8 x 3/16	8.5
TL30301916	1-9/16	3/8 x 3/16	8.4
TL3030158	1-5/8	3/8 x 3/16	8.2
TL303011116	1-11/16	3/8 x 3/16	8
TL3030134	1-3/4	3/8 x 3/16	7.8
TL303011316	1-13/16	1/2 x 1/4	7.6
TL3030178	1-7/8	1/2 x 1/4	7.5
TL303011516	1-15/16	1/2 x 1/4	7.4
TL30302	2	1/2 x 1/4	6.2
TL30302116	2-1/16	1/2 x 1/4	7.2
TL3030218	2-1/8	1/2 x 1/4	7.1
TL30302316	2-3/16	1/2 x 1/4	6.9
TL3030214	2-1/4	1/2 x 1/4	6.7
TL30302516	2-5/16	5/8 x 5/16	6.6
TL3030238	2-3/8	5/8 x 5/16	6.2
TL30302716	2-7/16	5/8 x 5/16	6.2
TL3030212	2-1/2	5/8 x 5/16	6.1
TL3030258	2-5/8	5/8 x 5/16	6.2
TL303021116	2-11/16	5/8 x 5/16	5.9
TL3030234	2-3/4	5/8 x 5/16	6.2
TL303021316	2-13/16	3/4 x 1/4	5.4
TL3030278	2-7/8	3/4 x 1/4	5.3
TL303021516	2-15/16	3/4 x 1/4	5
TL30303	3	3/4 x 1/4	4.9
TL3030318	3-1/8	3/4 x 1/4	4.7
TL30303316	3-3/16	3/4 x 1/4	4.7
TL3030314	3-1/4	3/4 x 1/4	4.7
TL3525 BUSHINGS			
TL35251316	1-3/16	1/4 x 1/8	16
TL3525114	1-1/4	1/4 x 1/8	14.6

Part Number	Bore	Keyseat	Weight
TL35251516	1-5/16	5/16 x 5/32	14.6
TL3525138	1-3/8	5/16 x 5/32	14.3
TL35251716	1-7/16	3/8 x 3/16	14.1
TL3525112	1-1/2	3/8 x 3/16	14
TL35251916	1-9/16	3/8 x 3/16	14
TL3525158	1-5/8	3/8 x 3/16	13.9
TL352511116	1-11/16	3/8 x 3/16	13.9
TL3525134	1-3/4	3/8 x 3/16	13.4
TL352511316	1-13/16	1/2 x 1/4	13.3
TL3525178	1-7/8	1/2 x 1/4	13.2
TL352511516	1-15/16	1/2 x 1/4	13
TL35252	2	1/2 x 1/4	13
TL35252116	2-1/16	1/2 x 1/4	12.9
TL3525218	2-1/8	1/2 x 1/4	12.6
TL35252316	2-3/16	1/2 x 1/4	12.4
TL3525214	2-1/4	1/2 x 1/4	12.3
TL35252516	2-5/16	5/8 x 5/16	11.8
TL3525238	2-3/8	5/8 x 5/16	12
TL35252716	2-7/16	5/8 x 5/16	11.7
TL3525212	2-1/2	5/8 x 5/16	11.5
TL35252916	2-9/16	5/8 x 5/16	11.3
TL3525258	2-5/8	5/8 x 5/16	11.1
TL352521116	2-11/16	5/8 x 5/16	10.7
TL3525234	2-3/4	5/8 x 5/16	10.4
TL352521316	2-13/16	3/4 x 3/8	10.3
TL3525278	2-7/8	3/4 x 3/8	10.1
TL352521516	2-15/16	3/4 x 3/8	10.5
TL35253	3	3/4 x 3/8	9.5
TL35253116	3-1/16	3/4 x 3/8	9.4
TL3525318	3-1/8	3/4 x 3/8	9.3
TL35253316	3-3/16	3/4 x 3/8	8.6
TL3525314	3-1/4	3/4 x 3/8	8.8
TL35253516	3/5/16	7/8 x 1/4	8.7
TL3525338	3/3/8	7/8 x 1/4	8.5
TL35253716	3-7/16	7/8 x 1/4	8.2
TL3525312	3-1/2	7/8 x 1/4	8
TL35253916	3-9/16	7/8 x 1/4	8
TL3525358	3-5/8	7/8 x 1/4	7.9
TL352531316	3-13/16	7/8 x 1/4	7.9
TL352531116	3-11/16	7/8 x 1/4	7.9
TL3525334	3-3/4	7/8 x 1/4	7.9
TL3525378	3-7/8	1 x 1/4	7.9
TL352531516	3-15/16	1 x 1/4	7.9
TL3535 BUSHINGS			
TL35351316	1-3/16	1/4 x 1/8	9.3
TL3535114	1-1/4	1/4 x 1/8	14.9
TL3535138	1-3/8	5/16 x 5/32	15.4
TL35351716	1-7/16	3/8 x 3/16	15.4
TL3535112	1-1/2	3/8 x 3/16	14.6
TL3535158	1-5/8	3/8 x 3/16	14.2
TL353511116	1-11/16	3/8 x 3/16	14.1
TL3535134	1-3/4	3/8 x 3/16	14.1
TL3535178	1-7/8	1/2 x 1/4	13.6
TL353511516	1-15/16	1/2 x 1/4	13.4

TAPER-LOCK BUSHINGS

Bushing Bore & Keyway Information

Inch Bores

Part Number	Bore	Keyseat	Weight
TL35352	2	1/2 x 1/4	13.3
TL3535218	2-1/8	1/2 x 1/4	12.8
TL35352316	2-3/16	1/2 x 1/4	12.8
TL3535214	2-1/4	1/2 x 1/4	12.4
TL35352516	2-5/16	5/8 x 5/16	12.4
TL3535238	2-3/8	5/8 x 5/16	12
TL35352716	2-7/16	5/8 x 5/16	12
TL3535212	2-1/2	5/8 x 5/16	11.7
TL3535258	2-5/8	5/8 x 5/16	11.1
TL353521116	2-11/16	5/8 x 5/16	10.9
TL3535234	2-3/4	5/8 x 5/16	10.7
TL3535278	2-7/8	3/4 x 3/8	10
TL353521516	2-15/16	3/4 x 3/8	10
TL35353	3	3/4 x 3/8	9.7
TL3535318	3-1/8	3/4 x 3/8	9.2
TL35353316	3-3/16	3/4 x 3/8	8.8
TL3535314	3-1/4	3/4 x 3/8	8.6
TL35353516	3-5/16	7/8 x 1/4	9
TL3535338	3-3/8	7/8 x 1/4	8.6
TL35353716	3-7/16	7/8 x 1/4	8
TL3535312	3-1/2	7/8 x 1/4	8.1
TL3535358	35/8	7/8 x 1/4	7.3
TL353531116	3-11/16	7/8 x 1/4	7
TL3535334	3-3/4	7/8 x 1/4	6.7
TL3535378	3-7/8	1 x 1/4	6
TL353531516	3-15/16	1 x 1/4	5.8
TL4030 BUSHINGS			
TL40301716	1-7/16	3/8 x 3/16	24
TL4030112	1-1/2	3/8 x 3/16	22
TL40301916	1-9/16	3/8 x 3/16	21.9
TL4030158	1-5/8	3/8 x 3/16	21.8
TL403011116	1-11/16	3/8 x 3/16	21.5
TL4030134	1-3/4	3/8 x 3/16	21.2
TL403011316	1-13/16	1/2 x 1/4	21
TL4030178	1-7/8	1/2 x 1/4	20.9
TL403011516	1-15/16	1/2 x 1/4	20.7
TL40302	2	1/2 x 1/4	20.6
TL40302116	2-1/16	1/2 x 1/4	20.6
TL4030218	2-1/8	1/2 x 1/4	20.7
TL40302316	2-3/16	1/2 x 1/4	20.4
TL4030214	2-1/4	1/2 x 1/4	20.1
TL40302516	2-5/16	5/8 x 5/16	20
TL4030238	2-3/8	5/8 x 5/16	19.5
TL40302716	2-7/16	5/8 x 5/16	19.3
TL4030212	2-1/2	5/8 x 5/16	19.2
TL40302916	2-9/16	5/8 x 5/16	19.1
TL4030258	2-5/8	5/8 x 5/16	19
TL403021116	2-11/16	5/8 x 5/16	18.4
TL4030234	2-3/4	5/8 x 5/16	17.7
TL403021316	2-13/16	3/4 x 3/8	17.5
TL4030278	2-7/8	3/4 x 3/8	17.2
TL403021516	2-15/16	3/4 x 3/8	17.2
TL40303	3	3/4 x 3/8	17
TL40303116	3-1/16	3/4 x 3/8	16.8
TL4030318	3-1/8	3/4 x 3/8	16.5

Part Number	Bore	Keyseat	Weight
TL40303316	3-3/16	3/4 x 3/8	15.9
TL4030314	3-1/4	3/4 x 3/8	15.4
TL40303516	3-5/16	3/4 x 3/8	14.9
TL4030338	3-3/8	7/8 x 7/16	14.6
TL40303716	3-7/16	7/8 x 7/16	14.1
TL4030312	3-1/2	7/8 x 7/16	13.7
TL40303916	3-9/16	7/8 x 7/16	13.4
TL4030358	3-5/8	7/8 x 7/16	13.1
TL403031116	3-11/16	7/8 x 1/4	13
TL4030334	3-3/4	7/8 x 1/4	12.7
TL4030378	3-7/8	1 x 1/4	12.9
TL403031516	3-15/16	1 x 1/4	12.6
TL40304	4	1 x 1/4	13
TL4030418	4-1/8	1 x 1/4	12.8
TL40304316	4-3/16	1 x 1/4	12.6
TL4030414	4-1/4	1 x 1/4	12.4
TL4030438	4-3/8	1 x 1/4	12.2
TL40304716	4-7/16	1 x 1/4	12
TL4040 BUSHINGS			
TL40401716	1-7/16	3/8 x 3/16	22.6
TL4040112	1-1/2	3/8 x 3/16	22.9
TL4040158	1-5/8	3/8 x 3/16	22.1
TL404011116	1-11/16	3/8 x 3/16	22.9
TL4040134	1-3/4	3/8 x 3/16	21.8
TL4040178	1-7/8	1/2 x 1/4	21.4
TL404011516	1-15/16	1/2 x 1/4	22.9
TL40402	2	1/2 x 1/4	20.7
TL4040218	2-1/8	1/2 x 1/4	20.6
TL40402316	2-3/16	1/2 x 1/4	20.2
TL4040214	2-1/4	1/2 x 1/4	20.2
TL4040238	2-3/8	5/8 x 5/16	19.6
TL40402716	2-7/16	5/8 x 5/16	19.3
TL4040212	2-1/2	5/8 x 5/16	15
TL4040258	2-5/8	5/8 x 5/16	18.7
TL404021116	2-11/16	5/8 x 5/16	18.3
TL4040234	2-3/4	5/8 x 5/16	18.2
TL4040278	2-7/8	3/4 x 3/8	15
TL404021516	2-15/16	3/4 x 3/8	15
TL40403	3	3/4 x 3/8	16.8
TL4040318	3-1/8	3/4 x 3/8	16.2
TL40403316	3-3/16	3/4 x 3/8	15.8
TL4040314	3-1/4	3/4 x 3/8	15.5
TL4040338	3-3/8	7/8 x 7/16	17
TL40403716	3-7/16	7/8 x 7/16	14.4
TL4040312	3-1/2	7/8 x 7/16	17
TL4040358	3-5/8	7/8 x 7/16	12.5
TL404031116	3-11/16	7/8 x 1/4	13.5
TL4040334	3-3/4	7/8 x 1/4	13.5
TL4040378	3-7/8	1 x 1/4	15
TL404031516	3-15/16	1 x 1/4	12.5
TL40404	4	1 x 1/4	12.1
TL4040418	4-1/8	1 x 1/4	11.2
TL40404316	4-3/16	1 x 1/4	10.7
TL4040414	4-1/4	1 x 1/4	10.3
TL4040438	4-3/8	1 x 1/4	9.5

TAPER-LOCK BUSHINGS

Bore and Keyseat Information

Inch Bores

Part Number	Bore	Keyseat	Weight
TL40404716	4-7/16	1 x 1/4	8.9
TL4535 BUSHINGS			
TL453511516	1-15/16	1/2 x 1/4	31
TL45352	2	1/2 x 1/4	29.7
TL45352116	2-1/16	1/2 x 1/4	29.5
TL4535218	2-1/8	1/2 x 1/4	29.3
TL45352316	2-3/16	1/2 x 1/4	29
TL4535214	2-1/4	1/2 x 1/4	28.8
TL45352516	2-5/16	5/8 x 5/16	28.6
TL4535238	2-3/8	5/8 x 5/16	28.4
TL45352716	2-7/16	5/8 x 5/16	28
TL4535212	2-1/2	5/8 x 5/16	26.7
TL45352916	2-9/16	5/8 x 5/16	26.3
TL4535258	2-5/8	5/8 x 5/16	25.9
TL453521116	2-11/16	5/8 x 5/16	25.4
TL4535234	2-3/4	5/8 x 5/16	25
TL453521316	2-13/16	3/4 x 3/8	24.9
TL4535278	2-7/8	3/4 x 3/8	24.8
TL453521516	2-15/16	3/4 x 3/8	24.1
TL45353	3	3/4 x 3/8	24.2
TL45353116	3-1/16	3/4 x 3/8	24.2
TL4535318	3-1/8	3/4 x 3/8	24.1
TL45353316	3-3/16	3/4 x 3/8	23.8
TL4535314	3-1/4	3/4 x 3/8	23.1
TL45353516	3-5/16	7/8 x 7/16	22.7
TL4535338	3-3/8	7/8 x 7/16	22.4
TL45353716	3-7/16	7/8 x 7/16	21.5
TL4535312	3-1/2	7/8 x 7/16	21.3
TL45353916	3-9/16	7/8 x 7/16	21.2
TL4535358	3-5/8	7/8 x 7/16	21
TL453531316	3-11/16	7/8 x 7/16	20.7
TL453531116	3-11/16	7/8 x 7/16	20.3
TL4535334	3-3/4	7/8 x 7/16	19.9
TL4535378	3-7/8	1 x 1/2	19.3
TL453531516	3-15/16	1 x 1/2	18.9
TL45354	4	1 x 1/2	18.7
TL4535418	4-1/8	1 x 1/2	18.6
TL45354316	4-3/16	1 x 1/2	18.5
TL4535414	4-1/4	1 x 1/2	17.8
TL4535438	4-3/8	1 x 1/4	16.8
TL45354716	4-7/16	1 x 1/4	15.4
TL4535412	4-1/2	1 x 1/4	15.3
TL4535434	4-3/4	11/4 x 1/4	15.2
TL4535478	4-7/8	11/4 x 1/4	15.1
TL453541516	4-15/16	11/4 x 1/4	14.9
TL4545 BUSHINGS			
TL454511516	1-15/16	1/2 x 1/4	29.9
TL45452	2	1/2 x 1/4	29.8
TL45452316	2-3/16	1/2 x 1/4	29.1
TL4545238	2-3/8	5/8 x 5/16	27.2
TL45452716	2-7/16	5/8 x 5/16	27.1
TL4545258	2-5/8	5/8 x 5/16	26.7
TL4545234	2-3/4	5/8 x 5/16	26.5
TL4545278	2-7/8	3/4 x 3/8	20.3
TL454521516	2-15/16	3/4 x 3/8	25.3

Part Number	Bore	Keyseat	Weight
TL45453	3	3/4 x 3/8	20
TL4545318	3-1/8	3/4 x 3/8	19.7
TL45453316	3-3/16	3/4 x 3/8	19.6
TL4545314	3-1/4	3/4 x 3/8	19.4
TL4545338	3-3/8	7/8 x 7/16	20
TL45453716	3-7/16	7/8 x 7/16	19.9
TL4545312	3-1/2	7/8 x 7/16	19.7
TL4545358	3-5/8	7/8 x 7/16	20.2
TL4545334	3-3/4	7/8 x 7/16	19
TL4545378	3-7/8	1 x 1/2	23.8
TL454531516	3-15/16	1 x 1/2	20
TL45454	4	1 x 1/2	23.4
TL4545418	4-1/8	1 x 1/2	23.1
TL45454316	4-3/16	1 x 1/2	22.9
TL4545414	4-1/4	1 x 1/2	22.7
TL4545438	4-3/8	1 x 1/4	22.3
TL45454716	4-7/16	1 x 1/4	22.1
TL4545412	4-1/2	1 x 1/4	21.9
TL4545434	4-3/4	1-1/4 x 1/4	21
TL4545478	4-7/8	1-1/4 x 1/4	20.6
TL454541516	4-15/16	1-1/4 x 1/4	20.4
TL5040 BUSHINGS			
TL50402716	2-7/16	5/8 x 5/16	39.5
TL5040212	2-1/2	5/8 x 5/16	38.4
TL50402916	2-9/16	5/8 x 5/16	37.8
TL5040258	2-5/8	5/8 x 5/16	37.1
TL504021116	2-11/16	5/8 x 5/16	36.9
TL5040234	2-3/4	5/8 x 5/16	36.6
TL504021316	2-13/16	3/4 x 3/8	36.5
TL5040278	2-7/8	3/4 x 3/8	36.4
TL504021516	2-15/16	3/4 x 3/8	36.2
TL50403	3	3/4 x 3/8	35.6
TL50403116	3-1/16	3/4 x 3/8	35.1
TL5040318	3-1/8	3/4 x 3/8	34.8
TL50403316	3-3/16	3/4 x 3/8	33.9
TL5040314	3-1/4	3/4 x 3/8	33.2
TL50403516	3-5/16	7/8 x 7/16	33
TL5040338	3-3/8	7/8 x 7/16	32.7
TL50403716	3-7/16	7/8 x 7/16	32
TL5040312	3-1/2	7/8 x 7/16	31.7
TL50403916	3-9/16	7/8 x 7/16	31.4
TL5040358	3-5/8	7/8 x 7/16	31.1
TL504031316	3-13/16	7/8 x 7/16	30.8
TL504031116	3-11/16	7/8 x 7/16	30.4
TL5040334	3-3/4	7/8 x 7/16	29.7
TL5040378	3-7/8	1 x 1/2	39
TL504031516	3-15/16	1 x 1/2	28.7
TL50404	4	1 x 1/2	27.8
TL5040418	4-1/8	1 x 1/2	27.5
TL50404316	4-3/16	1 x 1/2	27.2
TL5040414	4-1/4	1 x 1/2	27
TL5040438	4-3/8	1 x 1/2	26
TL50404716	4-7/16	1 x 1/2	25.1
TL5040412	4-1/2	1 x 1/2	23.6
TL5040434	4-3/4	1-1/4 x 1/4	22.9

TAPER-LOCK BUSHINGS

Bushing Bore & Keyway Information

Inch Bores

Part Number	Bore	Keyseat	Weight
TL5040478	4-7/8	1-1/4 x 1/4	22.2
TL504041516	4-15/16	1-1/4 x 1/4	20.6
TL50405	5	1-1/4 x 1/4	20.5
TL5050 BUSHINGS			
TL50502716	2-7/16	5/8 x 5/16	39
TL505021116	2-11/16	5/8 x 5/16	37.4
TL505021516	2-15/16	3/4 x 3/8	36
TL5050338	3-3/8	7/8 x 7/16	33
TL50503716	3-7/16	7/8 x 7/16	32.6
TL5050358	3-5/8	7/8 x 7/16	31.2
TL5050378	3-7/8	1 x 1/2	28
TL505031516	3-15/16	1 x 1/2	28.6
TL50504	4	1 x 1/2	22.2
TL5050414	4-1/4	1 x 1/2	26
TL5050438	4-3/8	1 x 1/2	25
TL50504716	4-7/16	1 x 1/2	26
TL5050412	4-1/2	1 x 1/2	26
TL5050478	4-7/8	1-1/4 x 7/16	22.3
TL505041516	4-15/16	1-1/4 x 7/16	21.4
TL50505	5	1-1/4 x 7/16	36
TL6050 BUSHINGS			
TL60503	3	3/4 x 3/8	65
TL6050314	3-1/4	3/4 x 3/8	65
TL60503716	3-7/16	7/8 x 7/16	65
TL60504	4	1 x 1/2	65
TL60504716	4-7/16	1 x 1/2	64.2
TL605041516	4-15/16	1-1/4 x 5/8	52
TL60505716	5-7/16	1-1/4 x 5/8	46
TL605051516	5-15/16	1-1/2 x 3/4	47.2
TL60506	6	1-1/2 x 3/4	52
TL7060 BUSHINGS			
TL70603	3	3/4 x 3/8	95
TL7060314	3-1/4	3/4 x 3/8	95
TL70603716	3-7/16	7/8 x 7/16	95
TL706041516	4-15/16	1-1/4 x 5/8	91.9
TL70605716	5-7/16	1-1/4 x 5/8	84.5
TL706051516	5-15/16	1-1/2 x 3/4	78.2
TL70606	6	1-1/2 x 3/4	76.6
TL70606716	6-7/16	1-1/2 x 3/4	69
TL7060612	6-1/2	1-1/2 x 3/4	68.6
TL706061516	6-15/16	1-3/4 x 7/8	61
TL70607	7	1-3/4 x 7/8	60.6

TAPER-LOCK BUSHINGS

Bushing Bore & Keyway Information

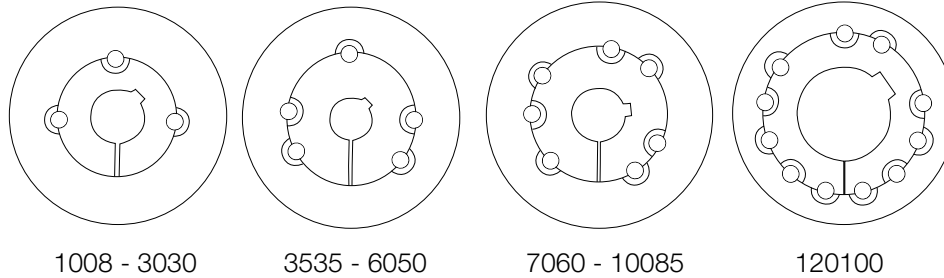
Metric Bores

Part Number	Bore	Keyseat	Weight
TL1008 BUSHINGS			
TL100814MM	14MM	5 X 5	0.3
TL100816MM	16MM	5 X 5	0.2
TL100818MM	18MM	6 X 6	0.2
TL100819MM	19MM	6 X 6	0.2
TL100820MM	20MM	6 X 6	0.2
TL100822MM	22MM	6 X 6	0.2
TL100824MM	24MM	8 X 7	0.2
TL1108 BUSHINGS			
TL110816MM	16MM	5 X 5	0.3
TL110818MM	18MM	6 X 6	0.3
TL110819MM	19MM	6 X 6	0.3
TL110820MM	20MM	6 X 6	0.3
TL110822MM	22MM	6 X 6	0.2
TL110824MM	24MM	8 X 7	0.3
TL110825MM	25MM	8 X 7	0.2
TL1210 BUSHINGS			
TL121014MM	14MM	5 X 5	0.6
TL121016MM	16MM	6 X 6	0.6
TL121018MM	18MM	6 X 6	0.6
TL121019MM	19MM	6 X 6	0.5
TL121020MM	20MM	6 X 6	0.5
TL121024MM	24MM	8 X 7	0.5
TL121025MM	25MM	8 X 7	0.6
TL121028MM	28MM	8 X 7	0.4
TL121030MM	30MM	8 X 7	0.4
TL1610 BUSHINGS			
TL161019MM	19MM	6 X 6	0.8
TL161020MM	20MM	6 X 6	0.7
TL161022MM	22MM	6 X 6	0.7
TL161024MM	24MM	8 X 7	0.8
TL161025MM	25MM	8 X 7	0.7
TL161028MM	28MM	8 X 7	0.7
TL161030MM	30MM	8 X 7	0.7
TL161032MM	32MM	10 X 8	0.6
TL161035MM	35MM	10 X 8	0.6
TL161038MM	38MM	10 X 8	0.5
TL161040MM	40MM	12 X 8	0.4
TL2012 BUSHINGS			
TL201214MM	14MM	5 X 5	1.7
TL201216MM	16MM	5 X 5	1.7
TL201218MM	18MM	6 X 6	1.6
TL201219MM	19MM	6 X 6	1.6
TL201220MM	20MM	6 X 6	1.6
TL201222MM	22MM	6 X 6	1.6
TL201224MM	24MM	8 X 7	1.5
TL201225MM	25MM	8 X 7	1.5
TL201228MM	28MM	8 X 7	1.5
TL201230MM	30MM	8 X 7	1.4
TL201232MM	32MM	10 X 8	1.5
TL201235MM	35MM	10 X 8	1.3
TL201238MM	38MM	10 X 8	1.3
TL201240MM	40MM	12 X 8	1.2
TL201242MM	42MM	12 X 8	1.5
TL201245MM	45MM	14 X 9	1.2


Part Number	Bore	Keyseat	Weight
TL2517 BUSHINGS			
TL251714MM	14MM	5 X 5	3.6
TL251716MM	16MM	5 X 5	3.6
TL251718MM	18MM	6 X 6	3.5
TL251720MM	20MM	6 X 6	3.4
TL251722MM	22MM	6 X 6	3.3
TL251724MM	24MM	8 X 7	3.3
TL251725MM	25MM	8 X 7	3.2
TL251728MM	28MM	8 X 7	3.1
TL251730MM	30MM	8 X 7	3.1
TL251732MM	32MM	10 X 8	3.0
TL251735MM	35MM	10 X 8	2.9
TL251738MM	38MM	10 X 8	2.9
TL251740MM	40MM	12 X 8	2.7
TL251742MM	42MM	12 X 8	2.0
TL251745MM	45MM	14 X 9	2.5
TL251748MM	48MM	14 X 9	2.0
TL251750MM	50MM	14 X 9	2.3
TL251755MM	55MM	16 X 10	2.0
TL251760MM	60MM	18 X 11	1.6
TL3020 BUSHINGS			
TL302024MM	24MM	8 X 7	6.1
TL302025MM	25MM	8 X 7	6.3
TL302028MM	28MM	8 X 7	6.0
TL302040MM	40MM	12 X 8	5.5
TL302045MM	45MM	14 X 9	5.3
TL302048MM	48MM	14 X 9	5.1
TL302050MM	50MM	14 X 9	5.0
TL302055MM	55MM	16 X 10	4.7
TL302060MM	60MM	18 X 11	4.4
TL302065MM	65MM	18 X 11	4.0

TAPER-LOCK BUSHINGS

Taper-Lock Bushing Installation & Removal




To Install Taper-Lock™ Bushings:

1. Clean shaft, bore and outside of bushing, and bore of hub (taking bushings from hub if already assembled). Remove any oil, grease and dirt.
2. Place hub onto shaft. Slip bushing onto shaft and into hub. Oil threads and points of setscrews or threads and under heads of capscrews. DO NOT lubricate the hub bore or the outside of the bushing. Place screws loosely in holes that are threaded on hub side (shown as  on diagram above).
3. Locate assembly in desired position and tighten screws slightly to seat bushing in hub.
4. Tighten screws alternately and evenly to the fastener torque. Do not overtorque. Using a hammer and drift, hammer against large end of bushing. Hammer first beside the screw farthest from the bushing split and then hammer on the bushing on the opposite side of the screw. Avoid hammering close to the OD of the bushing to prevent damage.

Working towards the split, hammer on the bushing on each side of the setscrews. Then hammer on each side of the bushing split. Make sure that the surfaces on both sides of the split are even. Screws can now be tightened to fastener torque. Repeat sequence, hammering and retightening until the specified fastener torque no longer turns the screws after hammering.

To Remove

1. Remove all screws. Oil threads and points of set screws or threads and under heads of cap screws.
2. Insert screws into holes that are threaded on the bushing side (shown as  on diagram). In sizes where washers are found under the screw heads, be sure to use the washers. Note that one screw in each hub is left over and is not used in the loosening operation.
3. Tighten screws alternately until bushing is loosened in hub. If bushing does not loosen, tap on face of hub.

WARNING: Use NO lubricants on the bushing body or hub bore

Bushing Installation

Bushing Size	Bolts		Fastener Torque	
	Qty.	Size	lb-ft	lb-in
1008-1108	2	1/4-20 Setscrew	4.6	55
1210-1215-1310-1610-1615	2	3/8-16 Setscrew	15	175
2012	2	7/16-14 Setscrew	23	280
2517-2525	2	1/2-13 Setscrew	36	430
3020-3030	2	5/8-11 Setscrew	67	800
3525-3535	3	1/2-13 Setscrew	83	1000
4030-4040	3	5/8-11 Capscrew	142	1700
4535-4545	3	3/4-10 Capscrew	204	2450
5040-5050	3	7/8-9 Capscrew	258	3100
6050	3	1-1/4-7 Capscrew	650	7820
7060-8065	4	1-1/4-7 Capscrew	650	7820
10085	4	1-1/2-6 Capscrew	1140	13680
120100	6	1-1/2-6 Capscrew	1140	13680

Caution: Excessive bolt torque can cause hub and/or bushing breakage.

Note: To insure proper bushing/hub performance, full bushing contact on the shaft is recommended.

QT Power Chain® II Carbon Drive Installation

Center Distance & Drive Alignment

1. Center Distance Allowances for Installation and Tensioning

Since fixed center drives are not recommended, center distance allowances for a TB Wood's QT Power Chain II Carbon belt drive are necessary to assure that the belt can be installed without damage and then tensioned correctly. The standard installation allowance is the minimum decrease in center distance required to install a belt when flanged sprockets are removed from their shafts for belt installation. This is shown in the first column of Table 6a. This table also lists the minimum increase in center distance required to assure that a belt can be properly tensioned over its normal lifetime. If a belt is to be installed over flanged sprockets without removing them, the additional center distance allowance for installation shown in the second table below must be added to the first table data.

Table 6a. Center distance allowance for installation and tensioning

Length Belt in (mm)	Installation Allowance (Flanged Sprockets Removed For Installation) in (mm)	Tension Allowance (All Drives) in (mm)
Up to (125) 5	(0.5) 0.02	(0.5) 0.02
Over (125) to (250) 5 to 10	(0.8) 0.03	(0.8) 0.03
Over (250) to (500) 10 to 20	(1.0) 0.04	(0.8) 0.03
Over (500) to (1000) 20 to 40	(1.8) 0.07	(0.8) 0.03
Over (1000) to (1780) 40 to 70	(2.8) 0.10	(0.8) 0.04
Over (1780) to (2540) 70 to 100	(3.3) 0.13	(1.0) 0.04
Over (2540) to (3300) 100 to 130	(4.1) 0.16	(1.3) 0.05
Over (3300) to (4600) 130 to 180	(4.8) 0.19	(1.3) 0.05
Over (4600) to (6900) 180 to 270	(5.6) 0.22	(1.3) 0.05

Table 6b. Installation adder* for flanged sprockets

Pitch	One Sprocket Flanged in (mm)	Both Sprockets Flanged in (mm)
8mm	(21.8) 0.86	(33.3) 1.31
14mm	(31.2) 1.23	(50.0) 1.97

*For drives that require installation of the belt over one sprocket at a time, use the value for "Both Sprockets Flanged"

2. Drive Alignment

Provision should be made for center distance adjustment, according to the two tables on this page, or to change the idler position so the belt can be slipped easily onto the drive. When installing a belt, never force it over the flange. This will cause internal damage to the belt tensile member.

Synchronous belts typically are made with high modulus tensile members which provide length stability over the belt life. Consequently, misalignment does not allow equal load distribution across the entire belt top width. In a misaligned drive, the load is being carried by only a small portion of the belt top width, resulting in uneven belt wear and premature tensile failure.

There are two types of misalignment: parallel and angular (See

Fig. 1). Parallel misalignment is where the driveR and driveN shafts are parallel, but the two sprockets lie in different planes. When the two shafts are not parallel, the drive is angularly misaligned.

A fleeting angle is the angle at which the belt enters and exits the sprocket, and equals the sum of the parallel and angular misalignments.

Any degree of sprocket misalignment will result in some reduction of belt life, which is not accounted for in the normal drive design procedure. Misalignment of all synchronous belt drives should not exceed 1/4° or 1/16" per foot of linear distance. Misalignment should be checked with a good straight edge or by using a laser alignment tool. The straight edge tool should be applied from driveR to driveN, and then from driveN to driveR so that the total effect of parallel and angular misalignment is made visible.

Drive misalignment can also cause belt tracking problems. However, light flange contact by the belt is normal and won't affect performance.

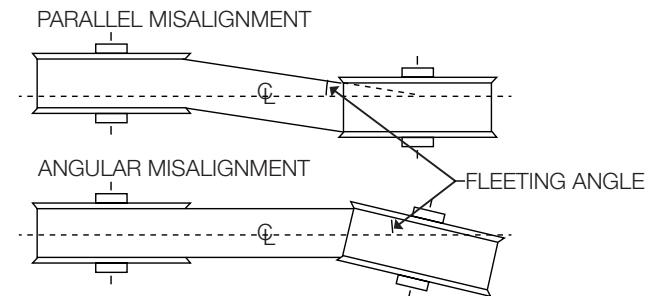


Figure 1

For those drives in which the center distance is greater than eight times the small sprocket diameter, belt tracking can be a problem. In these cases, the parallel position of the two sprockets may need to be adjusted until only one flange guides the belt in the system and the belt tracks fully on all sprockets. Regardless of the drive center distance, the optimum drive performance will occur with the belt lightly contacting one flange in the system. The worst case is for the belt to contact flanges on opposite sides of the system. This traps the belt between opposite flanges and can force the belt into undesirable parallel misalignment.

Improper installation of the bushing can result in the bushing/sprocket assembly being "cocked" on the shaft. This leads to angular misalignment and sprocket wobble. Be sure to follow the instructions provided with the bushings.

QT Power Chain® II Carbon Drive Installation

Belt Installation & Tension

3. Belt Installation

During the belt installation process, it is very important the belt be fully seated in the sprocket grooves before applying final tension. Serpentine drives with multiple sprockets and drives with large sprockets are particularly vulnerable to belt tensioning problems resulting from the belt teeth being only partially engaged in the sprockets during installation. In order to prevent these problems, the belt installation tension should be evenly distributed to all belt spans by rotating the system by hand. After confirming that belt teeth are fully engaged in the sprocket grooves, belt tension should be rechecked and verified. Failure to do this may result in an undertensioned condition with the potential for belt ratcheting.

4. Belt Installation Tension

Standard Belt Tensioning Procedure

When installing a TB Wood's belt:

- Be sure it is tensioned adequately to prevent tooth jumping (ratcheting) under the most severe load conditions which the drive will encounter during operation.
- Avoid extremely high tension which can reduce belt life and possibly damage bearings, shafts and other drive components.

The proper way to check belt tension is to use a tension tester. The spring scale type tester is used by measuring how much force is required to deflect the belt at the center of its span by a specified distance (force deflection method), as shown in the sketch below.

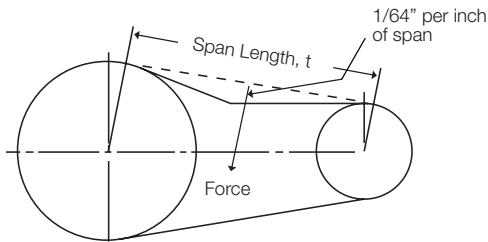


Figure 2

When you wish to use a numerical method for calculating recommended belt installation tension values, the following procedure may be used.

STEP 1: Calculate the required base static installation tension.

Use Formula 16 to calculate the required base static installation tension.

Formula 16

$$T_{st} = \frac{20HP}{S} + mS$$

Where:

- T_{st} = base static installation tension, pounds
- HP = Horsepower
- $S = \frac{PD \times RPM}{3820}$
- m = Value from Table 7
- PD = Sprocket Pitch Diameter, inches
- RPM = Revolutions per minute of same sprocket

Table 7

Pitch	Belt Width	m	Y	Minimum Tst (lb)
8mm	12mm	0.33	65	28
	21mm	0.57	113	49
	36mm	0.97	194	84
	62mm	1.68	335	145
14mm	20mm	0.92	230	119
	37mm	1.69	426	220
	68mm	3.11	782	405
	90mm	4.12	1035	536
	125mm	5.72	1438	744

Because of the high performance capabilities of QT Power Chain II Carbon belts, it is possible to design drives that have significantly greater load than are necessary to carry the actual design load. Consequently, Formula 16 can provide T_{st} values less than are necessary for the belt to operate properly, resulting in poor belt performance and reduced service life. If a more appropriately sized drive cannot be designed, minimum recommended T_{st} values are provided in Table 7 to assure that the belts function properly when lightly loaded.

Always use the greater T_{st} value; i.e., from T_{st} Formula 16 or Table 7.

NOTE: When applying static belt tension values directly, multiply the required base static installation tension (T_{st}) calculated in Formula 16 by the following factors:

$$\begin{aligned} \text{Minimum Static Tension} &= \text{Base Static Tension} \times 1.0 \\ \text{Maximum Static Tension} &= \text{Base Static Tension} \times 1.2 \end{aligned}$$

Formula 17

$$t = \sqrt{C^2 - \left(\frac{D-d}{2}\right)^2}$$

Where:

- t = belt span length, inches
- C = center distance, inches
- D = pitch diameter of larger sprocket, inches
- d = pitch diameter of smaller sprocket, inches

STEP 2: Calculate the minimum and maximum recommended deflection forces.

- Calculate the span length of your drive (Formula 17).
- Belt minimum recommended force:

Formula 18

$$\text{deflection force, min} = \frac{T_{st} + \left(\frac{t}{L}\right)Y}{16}, \text{ lb}_f$$

- Belt maximum recommended force:

Formula 19

$$\text{deflection force, min} = \frac{1.2 T_{st} + \left(\frac{t}{L}\right)Y}{16}, \text{ lb}_f$$

Shaft Load

Where: T_{st} = Base Static tension, lbf
 t = span length, inches
 L = belt pitch length, inches
 Y = constant from Table 7

STEP 3: Applying the tension.

Force deflection tension method

- A.** At the center of the span (t) apply a force perpendicular to the span large enough to deflect the belt on the drive 1/64 inch per inch of span length from its normal position. One sprocket should be free to rotate. Be sure the force is applied evenly across the entire belt width. If the belt is a wide synchronous belt, place a piece of steel or angle iron across the belt width and deflect the entire width of the belt evenly.
- B.** Compare this deflection force with the range of forces calculated in Step 2
1. If it is less than the minimum recommended deflection force, the belt should be tightened.
 2. If it is greater than the maximum recommended deflection force, the belt should be loosened.

5. Shaft Load

When the machine designer requests shaft load calculations from the drive designer, the following procedure can be applied:

A. Calculate Belt Span Tensions

Belt pull is the vector sum of T_T and T_S , the tightside and slackside tensions. T_T and T_S may be calculated using the following formulas:

Formula 20

$$T_T = \frac{144,067 \text{ HP}}{(PD)(RPM)}$$

Formula 21

$$T_S = \frac{18,008 \text{ HP}}{(PD)(RPM)}$$

Where: HP = Horsepower
 PD = Sprocket Pitch Diameter (in)
 RPM = Sprocket Speed (rev/min)

B. Solution For Both Magnitude and Direction

The vector sum of T_T and T_S can be found so that the direction of belt pull, as well as magnitude, is known. This is necessary if belt pull is to be vectorially added to sprocket weight, shaft weight, etc., to find true bearing loads. In this case, the easiest method of finding the belt pull vector is by graphical addition of T_T and T_S . If only the magnitude of belt pull is needed, numerical methods for vector additions are faster to use.

If both direction and magnitude of belt pull are required, the vector sum of T_T and T_S can be found by graphical vector addition as shown in Fig. 3. T_T and T_S vectors are drawn to a convenient scale and parallel to the tightside and slackside, respectively.

Fig. 3 shows vector addition for belt pull on the motor shaft. The same procedures can be used for finding belt pull on the driveN shaft. This method may be used for drives using three or more sprockets or idlers.

For two-sprocket drives, belt pull on the driveR and driveN shafts is equal but opposite in direction. For drives using idlers, both magnitude and direction may be different.

C. Solution For Magnitude Only

If only the magnitude of belt pull is needed, follow the steps below. Use this method for drives with two sprockets. Use the graphical method shown if the drive uses idlers.

1. Add T_T and T_S
2. Using the value of $\frac{D-d}{C}$ for the drive, find the vector sum correction factor using

Fig. 4, where:

D = large diameter
 d = small diameter
 C = center distance

Or, use the arc of contact on the small sprocket if known.

3. Multiply the sum of T_T plus T_S by the vector sum correction factor to find the vector sum of T_T plus T_S .

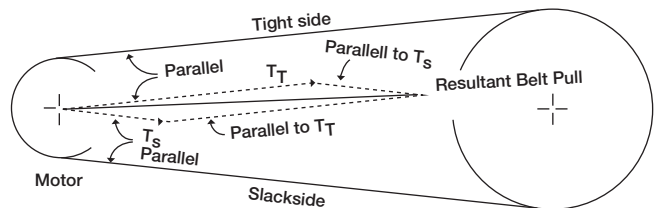


Figure 3

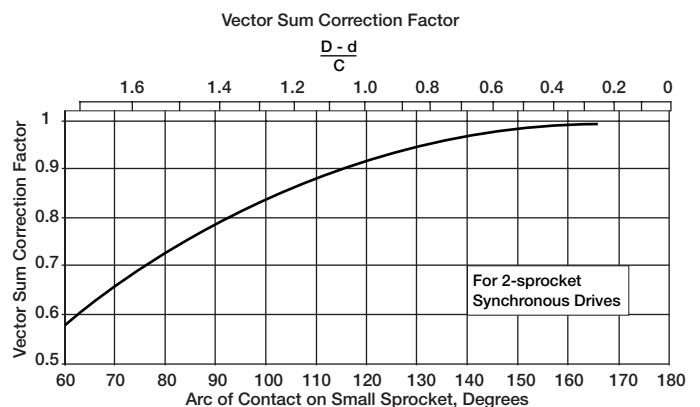


Figure 4

QT Power Chain® II Carbon Drive Installation

Bearing/Load Calculations

6. Bearing/Load Calculations

If true side load on the shaft, including sprocket weight, is desired, the sprocket weight can be added to the belt pull using the same graphical method shown in Fig. 3. The sprocket weight vector is vertical toward the ground. Weights for standard sprockets are shown in the sprocket specification tables.

In order to find actual bearing loads, it is necessary to know weights of machine components and the value of all other forces contributing to the load. However, it is sometimes desirable to know the bearing load contributed by the synchronous drive alone. Bearing loads resulting from a synchronous belt drive can be calculated knowing bearing placement with respect to the sprocket center and the shaft load as previously calculated. For rough estimates, machine designers sometimes use belt pull alone, ignoring sprocket weight. If accuracy is desired, or if the sprocket is unusually heavy, actual shaft load values including sprocket weight should be used.

Overhung Sprocket

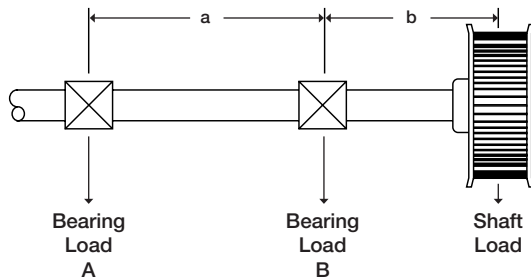


Figure 5

Formula 22

$$\text{Load at B, (lb)} = \frac{\text{ShaftLoad} \times (a + b)}{a}$$

Formula 23

$$\text{Load at A, (lb)} = \text{ShaftLoad} \times \frac{b}{a}$$

Where: a and b = spacing, (in), per Fig. 5

Sprocket Between Bearings

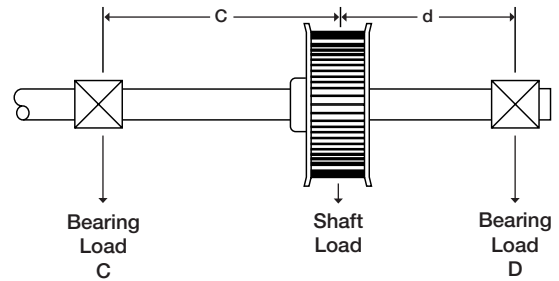


Figure 6

Formula 24

$$\text{Load at C (lb)} = \frac{\text{ShaftLoad} \times c}{(c + d)}$$

Formula 25

$$\text{Load at D (lb)} = \frac{\text{ShaftLoad} \times d}{(c + d)}$$

Where: c and d = spacing (in), per Fig. 6

Storage & Handling, Center Distance & Belt Length, and Operational Temperature

1. Belt Storage and Handling

Storage Recommendations

In order to retain their serviceability and dimensions, proper storage procedures must be followed for synchronous belts. Quite often premature belt failures can be traced to improper belt storage procedures that damaged the belt before it was installed on the drive. By following a few guidelines, these types of belt failures can be avoided.

Recommended

Belts should be stored in a cool and dry environment with no direct sunlight. Ideally, belts should be stored at less than 85°F and with lower than 70% relative humidity. Belts should be stored in original packaging.

Not Recommended

Belts should not be stored near windows, which may expose the belts to direct sunlight or moisture.

Belts should not be stored near heaters, radiators, or in the direct airflow of heating devices.

Belts should not be stored near any devices that generate ozone such as transformers and electric motors.

Belts should not be stored where they are exposed to solvents or chemicals in the atmosphere.

Do not store belts on the floor unless they are in a protective container. Floor locations are exposed to traffic that may damage the belts.

Do not crimp belts during handling or while being stored. To avoid this, belts must not be bent to diameters smaller than what is recommended (minimum recommended sprocket diameter for inside bends and 1.3 times the minimum recommended sprocket diameter for back side bends). Do not use ties or tape to pull belt spans tightly together near the end of the belt.

Do not hang on a small diameter pin that suspends all of the belt weight and bends the belt to a diameter smaller than the minimum recommended sprocket diameter. Improper storage will damage the tensile cord and the belt will fail prematurely. Handle belts carefully when removing from storage.

Storage Effects

Belts may be stored up to six years if properly stored at temperatures less than 85°F and relative humidity less than 70%.

For every 15°F increase in storage temperature above 85°F, the time the belt can be stored without reduced performance decreases by one-half. Belts should never be stored at temperatures above 115°F.

At relative humidity levels above 70%, fungus or mildew may form on stored belts. This has minimal affect on belt performance, but should be avoided if possible. When equipment is stored for prolonged periods of time (over six months), the belt tension should be relaxed so that the belt does not take a set, and the storage environment should meet the 85°F and 70% or less relative humidity condition. If this is not possible, belts should be removed and stored separately in a proper environment.

2. Center Distance and Belt Length

The approximate relationship between a center distance and belt pitch length is given by the following formula:

Formula 26

$$L_p = 2C + 1.57(D + d) + \frac{(D - d)^2}{4C}$$

Where: L_p = belt pitch length, inches
 D = diameter of large sprocket, inches
 d = diameter of small sprocket, inches
 C = center distance, inches

A more precise formula is given below:

Formula 27

$$L_p = 2C \cos \phi + \frac{\pi(D + d)}{2} + \frac{\pi\phi(D - d)}{180}$$

Where: L_p = belt pitch length, inches
 C = center distance, inches
 D = pitch diameter of large sprocket, inches
 d = pitch diameter of small sprocket, inches

$$\phi = \sin^{-1} \frac{(D - d)}{2C} \text{ degrees}$$

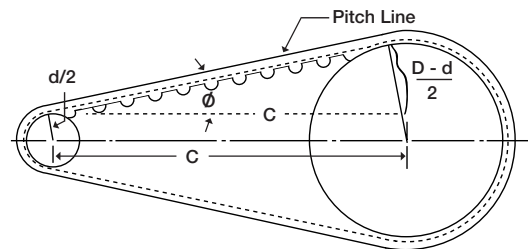


Figure 7

The approximate center distance can be found by this formula:

Formula 28

$$C = \frac{K + \sqrt{K^2 - 32(D - d)^2}}{16}$$

Where: $K = 4 L_p - 6.28 (D + d)$

The exact center distance can be calculated using an iterative process between the center distance (Formula 28) and belt length (Formula 27) equations. The exact center distance has been found when the two equations converge. The pitch length increment of a synchronous belt is equal to a multiple of the belt pitch.

3. Operational Temperature

Belt performance is generally unaffected in ambient temperature environments between -65° and 185°F (-54° and 85°C). Temperature extremes beyond these limits should be reviewed by a TB Wood's Power Transmission Product Application Engineer.

Efficiency, Flanged Sprockets, Fixed Center, Teeth in Mesh, Belt Drive Noise

Efficiency

When properly designed and applied, Synchronous belt drive efficiency will be as high as 98%. This high efficiency is primarily due to the positive, no slip characteristic of synchronous belts. Since the belt has a thin profile, it flexes easily, thus resulting in low hysteresis losses as evidenced by low heat buildup in the belt.

Synchronous belt drive efficiency can be simply defined as shown in the following equation:

Formula 29

$$\text{Efficiency, percent} = \frac{\text{dN RPM} \times \text{dN Torque}}{\text{dR RPM} \times \text{dR Torque}} \times 100$$

When examining the loss of energy, it is necessary to consider belt losses in terms of shaft torque and shaft speed. Torque losses result from bending stress and friction. Chain drives running unlubricated may generate significant heat build up due to increased friction in the roller joints. Even properly lubricated chains running at higher speeds tend to throw off the oil due to centrifugal forces, making it difficult to maintain proper lubrication at the load bearing surfaces. Consequently, chain drives are typically only 92-98% efficient.

Flanged Sprockets

Due to the tracking characteristics, even on the best aligned drives, all synchronous belts have a tendency to move axially and will ride off the edge of the sprockets. In order to keep the belt on the sprocket, side flanges are needed.

On all synchronous drives the following conditions should be considered when selecting flanged sprockets.

- Two Sprocket Drives:** One sprocket must have flanges on both sides or both sprockets must have one flange but on opposite sides.
- Long Center Drives:** When the center distance is greater than or equal to eight times the small sprocket diameter, both sprockets should be flanged.
- Vertical Shaft Drives:** One sprocket should be flanged on both sides, all other sprockets in the drive system should have one flange on the bottom side.
- Multiple Sprocket Drives:** Every other sprocket should be flanged on both sides, or there should be one flange on each sprocket on alternating sides around the entire system.

Most smaller stock sprockets are flanged on both sides (80 tooth and smaller).

Fixed Centers (No Adjustment)

True fixed center applications are those where no provision for adjustment of driveR or driveN shaft exist. Fixed centers are not recommended for any synchronous belt drive other than motion transfer (low or no torque) drives. Fixed center drives imply need for exact tolerances. Although length tolerances for synchronous belts are considerably less than those for other belts, no belt can be manufactured without some tolerance. Sprocket manufacturing tolerances also contribute to the fixed center drive problem.

Fixed center applications prevent proper belt installation and tensioning procedures, reduced belt performance can result. The use of an idler can solve the problems associated with fixed center drives. See the page in this section concerning the use of idlers.

Teeth In Mesh

For a synchronous drive to transmit the full capacity of the belt, it is necessary to have a minimum of 6 teeth in mesh on the driveR and all driveN wheels in the drive. The two-wheel drives selected from our pre-engineered selection area of our catalog meet this requirement. For drives having less than 6 teeth in mesh, the horsepower of the drive should be multiplied by the proper correction factor.

Teeth In Mesh	Correction Factor
6	1.00
5	0.80
4	0.60
3	0.40
2	0.20

Belt Drive Noise and Use of Idlers

Belt Drive Noise

When noise is an issue, there are several design and maintenance tips that should be followed to minimize belt drive noise.

1. Belt Drive Tension and Alignment

Properly tensioning and aligning a belt drive will allow the belt drive to perform at its quietest level. Improper tension in synchronous belt drives can affect how the belt fits in the sprocket grooves. Proper tension minimizes tooth to groove interference, and thereby reduces belt noise.

Misaligned synchronous belt drives tend to be much noisier than properly aligned drives due to the amount of interference that is created between the belt teeth and the sprocket grooves. Misaligned synchronous belt drives also may cause belt tracking that forces the edge of the belt to ride hard against a sprocket flange. Misalignment causing belt contact with a flange will generate noise that is easily detected.

2. Noise Barriers and Absorbers

Noise barriers are used to block and reflect noise. Noise barriers do not absorb or deaden the noise; they block the noise and generally reflect most of the noise back towards its point of origin. Good noise barriers are dense, and should not vibrate. A sheet metal belt guard is a noise barrier. The more complete the enclosure is, the more effective it is as a noise barrier. Noise barrier belt guards can be as sophisticated as a completely enclosed case, or as simple as sheet metal covering the front of the guard to prevent direct sound transmission.

Use of Idlers

Synchronous Drives

Idlers are occasionally used in the design of synchronous belt drives for various reasons:

1. To provide take-up for fixed center drives.
2. To clear obstructions.
3. To subdue belt whip on long center drives.

NOTE: Do not use spring loaded or weighted idlers on synchronous drives.

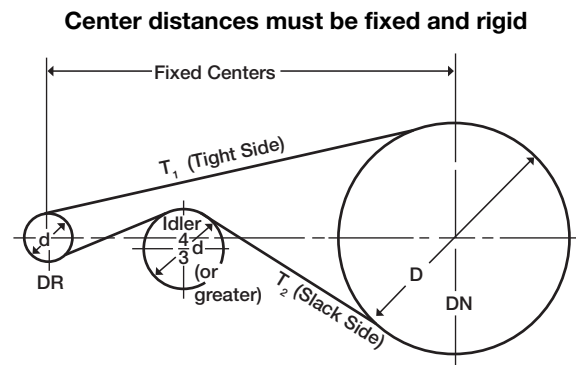
Idlers should be avoided where possible because they either reduce the horsepower rating or shorten belt life. Idlers may be placed either outside or inside the drive. A common serious fault in designing drives is the use of idlers, which are too small. The use of such idlers introduces severe reverse bending stresses in the belt, resulting in drastically reduced belt life.

Positioning Idlers

Idlers should be located, if at all possible, on the slack side of the drive. Locating the idler on the tight side of the drive puts high stresses on the idler bearings and belt. This reduces the life of both parts. Idlers located on the tight side of the drive are the number one cause of idler related issues.

Outside Idlers

An outside idler increases the number of teeth in mesh, but the amount of take-up, in the case of take-up idlers, will be limited by the belt on the opposite side of the drive. Outside idlers are always flat because they contact the top of the belt. A flat idler pulley, outside, should be located as close as possible to the preceding sprockets. This is because belts move back and forth slightly on a flat pulley and locating it farther away from the next sprocket minimizes the possibility of the belt entering that sprocket in a misaligned condition. Outside flat idlers should be one third larger than the smallest loaded synchronous sprocket. It should be remembered that the smallest loaded synchronous sprocket should not be smaller than the minimum pitch diameter recommended.



Typical Outside Flat Idler Arrangement

Figure 8

Table 8

Belt	Minimum Inside Idler	Minimum Inside Flat Idler	Minimum Backside Idler
8mm Pitch QTPC II Carbon	25 teeth	4.00" O.D.	3.00" O.D.
14mm Pitch QTPC II Carbon	28 teeth	7.00" O.D.	6.50" O.D.

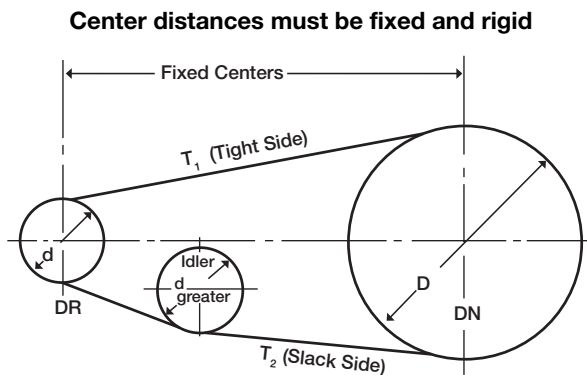
Use of Idlers

Inside Idlers

An inside idler decreases the number of teeth in mesh on the adjacent sprockets. Inside idlers are usually synchronous sprockets. An inside idler sprocket may be located at any point along the span, preferably so that it gives nearly equal arcs of contact on the two adjacent sprockets. Inside idlers should be at least as large in diameter as the smallest loaded synchronous sprocket. Flat idlers may be used on the inside of a synchronous belt drive if the diameter of the flat pulley meets the requirements given in Table 8, on page 79.

Service Factor with Idlers

If the above recommendations are followed, it is possible to design satisfactory synchronous drives using idlers. However, idlers always impose an additional bending stress on the belt. This reduces the belt horsepower rating. This is reflected by an addition (0.2 for each idler) to the service factor when designing. If the horsepower ratings are not reduced to account for the use of an idler, belt life will be reduced. The rating of a drive or its life expectancy is drastically reduced when idlers below the minimum recommended diameter are used. The bending stress induced in the belt becomes greater as the idler diameter becomes smaller.



Typical Inside Idler Arrangement

Figure 9

Idler Mounting

Mounting brackets for idlers should be sturdily constructed and meticulously aligned. It is frequently found that drive problems described as “belt stretch,” “belt instability,” “short belt life,” “belt roughness,” “belt vibration,” and many others are traceable to flimsy idler brackets, bearings, etc. the idler mounting must be designed to be capable of withstanding forces imposed by the operating belt tensions.

Troubleshooting

Problem Type	Probable Cause	Corrective Action
Tension Loss / belt stretch	Weak support structure	Reinforce support structure
	Excessive sprocket wear	Replace sprocket
	Fixed (nonadjustable) centers	Use idler to adjust tension
	Excessive debris	Clean drive, protect drive from debris
	Excessive load	Increase drive capacity
	Sprocket diameter too small	Redesign with larger sprockets
	Drive runs too hot	Check for heat transfer from local source
Belt tracking issue	Belt is softening or degrading	Protect drive from excessive temperatures and contaminants / chemicals
	Parallel or angular misalignment	Correct alignment
	Belt running partly off unflanged sprocket	Correct alignment
	Centers exceed 8X small sprocket diameter	Correct alignment to track belt or add flanged idler with low angular contact
Sprocket flange failure	Excessive belt edge wear	Correct alignment / replace belt
	Belt forces off flange	Correct alignment, reinforce support structure, replace flange or sprocket
Excessive belt edge wear	Parallel or angular misalignment	Correct alignment
	Damage due to improper belt handling	Follow proper belt handling procedure
	Belt rubbing drive guard or obstruction	Remove interference or use idler to adjust wrap
	Improper width belt	Use correct belt / sprocket combination
	Rough flange / debris at sprocket edge	Clean sprocket and flange
Premature tooth wear	Belt tension too low	Adjust belt tension per instructions
	Belt tension too high or too low	Adjust belt tension per instructions
	Belt running partly off unflanged sprocket	Correct alignment
	Parallel or angular misalignment	Correct alignment
	Worn or damaged sprocket	Replace sprocket
	Belt rubbing drive guard or obstruction	Remove interference or use idler to adjust wrap
	Excessive load	Increase drive capacity
Tooth shear	Excessive debris	Clean drive, protect drive from debris
	Belt tension too low	Adjust belt tension per instructions
	Excessive shock load	Redesign drive with higher capacity
	Less than 6 teeth in mesh on sprocket	Redesign drive, increase wrap with idler
	Worn or damaged sprocket	Replace sprocket
Tensile break	Idler too small	Use properly sized idlers
	Excessive load or shock	Redesign drive with higher capacity
	Sprocket diameter too small	Redesign with larger sprockets
	Improper belt handling or storage	Replace belt, follow proper belt handling procedure
	Debris or foreign object in drive	Clean drive, protect drive from debris
Belt cracking	Excessive runout	Check shafts and sprocket installation, repair / replace components as needed
	Idler too small	Use properly sized idlers
	Temperature too low	Correct environment or preheat drive area prior to starting drive
	Exposure to chemical or radiation	Protect drive from chemical / exposure
	Parallel or angular misalignment	Correct alignment
Vibration (make certain the vibration is not from another source)	Belt tension too high or too low	Adjust belt tension per instructions
	Too high or too low tension	Adjust belt tension per instructions
	Sprockets not properly installed or tightened	Re-install sprockets using proper alignment and mounting procedures; MPB sprockets require interference fit or set screw locking
Noise issues *	Excessive runout	Check shafts and sprocket installation, repair / replace components as needed
	Parallel or angular misalignment	Correct alignment
	Belt speed too high	Redesign drive
	Belt tension too high or too low	Adjust belt tension per instructions
	Backside idler	Use inside idler
	Excessive load	Increase drive capacity
Noise issues *	Sprocket diameter too small	Redesign with larger sprockets
	Worn or damaged sprocket	Replace sprocket

*NOTE: Effective noise reduction for power transmission drives can be accomplished by incorporating a flexible noise absorbing material with the protective guard. The guard design must allow a cooling air passage on the top and bottom to prevent overheating the drive.

QT Power Chain® II Carbon Interchange

8mm Belts

TBW QT Power Chain II Carbon Part Number	Goodyear Falcon HTC® Part Number
8MPCC64012	8GTR-640-12
8MPCC72012	8GTR-720-12
8MPCC80012	8GTR-800-12
8MPCC89612	8GTR-896-12
8MPCC96012	
8MPCC100012	8GTR-1000-12
8MPCC104012	
8MPCC112012	8GTR-1120-12
8MPCC120012	8GTR-1200-12
8MPCC122412	
8MPCC128012	8GTR-1280-12
8MPCC144012	8GTR-1440-12
8MPCC160012	8GTR-1600-12
8MPCC176012	
8MPCC179212	8GTR-1792-12
8MPCC200012	8GTR-2000-12
8MPCC220012	
8MPCC224012	8GTR-2240-12
8MPCC240012	8GTR-2400-12
8MPCC252012	8GTR-2520-12
8MPCC260012	
8MPCC280012	
8MPCC284012	
8MPCC304812"	8GTR-2840-12
8MPCC320012	8GTR-3200-12
8MPCC328012	
8MPCC360012	8GTR-3600-12
8MPCC400012	8GTR-4000-12
8MPCC440012	
8MPCC448012	8GTR-4480-12
8MPCC64021	8GTR-640-21
8MPCC72021	8GTR-720-21
8MPCC80021	8GTR-800-21
8MPCC89621	8GTR-896-21
8MPCC96021	
8MPCC100021	8GTR-1000-21
8MPCC104021	
8MPCC112021	8GTR-1120-21
8MPCC120021	8GTR-1200-21
8MPCC122421	
8MPCC128021	8GTR-1280-21
8MPCC144021	8GTR-1440-21
8MPCC160021	8GTR-1600-21
8MPCC176021	
8MPCC179221	8GTR-1792-21
8MPCC200021	8GTR-2000-21
8MPCC220021	
8MPCC224021	8GTR-2240-21
8MPCC240021	8GTR-2400-21
8MPCC252021	8GTR-2520-21
8MPCC260021	
8MPCC280021	
8MPCC284021	8GTR-2840-21
8MPCC304821	
8MPCC320021	8GTR-3200-21
8MPCC328021	
8MPCC360021	8GTR-3600-21
8MPCC400021	8GTR-4000-21
8MPCC440021	
8MPCC448021	8GTR-4480-21

TBW QT Power Chain II Carbon Part Number	Goodyear Falcon HTC® Part Number
8MPCC64036	8GTR-640-36
8MPCC72036	8GTR-720-36
8MPCC80036	8GTR-800-36
8MPCC89636	8GTR-896-36
8MPCC96036	
8MPCC100036	8GTR-1000-36
8MPCC104036	
8MPCC112036	8GTR-1120-36
8MPCC120036	8GTR-1200-36
8MPCC122436	
8MPCC128036	8GTR-1280-36
8MPCC144036	8GTR-1440-36
8MPCC160036	8GTR-1600-36
8MPCC176036	
8MPCC179236	8GTR-1792-36
8MPCC200036	8GTR-2000-36
8MPCC220036	
8MPCC224036	8GTR-2240-36
8MPCC240036	8GTR-2400-36
8MPCC252036	8GTR-2520-36
8MPCC260036	
8MPCC280036	
8MPCC284036	
8MPCC304836	8GTR-2840-36
8MPCC320036	8GTR-3200-36
8MPCC328036	
8MPCC360036	8GTR-3600-36
8MPCC400036	8GTR-4000-36
8MPCC440036	
8MPCC448036	8GTR-4480-36
8MPCC64062	8GTR-640-62
8MPCC72062	8GTR-720-62
8MPCC80062	8GTR-800-62
8MPCC89662	8GTR-896-62
8MPCC96062	
8MPCC100062	8GTR-1000-62
8MPCC104062	
8MPCC112062	8GTR-1120-62
8MPCC120062	8GTR-1200-62
8MPCC122462	
8MPCC128062	8GTR-1280-62
8MPCC144062	8GTR-1440-62
8MPCC160062	8GTR-1600-62
8MPCC176062	
8MPCC179262	8GTR-1792-62
8MPCC200062	8GTR-2000-62
8MPCC220062	
8MPCC224062	8GTR-2240-62
8MPCC240062	8GTR-2400-62
8MPCC252062	8GTR-2520-62
8MPCC260062	
8MPCC280062	
8MPCC284062	8GTR-2840-62
8MPCC304862	
8MPCC320062	8GTR-3200-62
8MPCC328062	
8MPCC360062	8GTR-3600-62
8MPCC400062	8GTR-4000-62
8MPCC440062	
8MPCC448062	8GTR-4480-62

QT Power Chain® II Carbon Interchange

14mm Belts

TBW QT Power Chain II Carbon Part Number	Goodyear Falcon HTC® Part Number
14MPCC99420	14GTR-994-20
14MPCC112020	14GTR-1120-20
14MPCC119020	14GTR-1190-20
14MPCC126020	14GTR-1260-20
14MPCC140020	14GTR-1400-20
14MPCC156820	14GTR-1568-20
14MPCC161020	
14MPCC175020	14GTR-1890-20
14MPCC189020	14GTR-1890-20
14MPCC196020	14GTR-1960-20
14MPCC210020	14GTR-2100-20
14MPCC224020	14GTR-2240-20
14MPCC231020	
14MPCC238020	14GTR-2380-20
14MPCC245020	
14MPCC252020	14GTR-2520-20
14MPCC259020	
14MPCC266020	14GTR-2660-20
14MPCC280020	14GTR-2800-20
14MPCC313620	14GTR-3136-20
14MPCC330420	14GTR-3304-20
14MPCC336020	
14MPCC350020	14GTR-3500-20
14MPCC385020	
14MPCC392020	14GTR-4280-20
14MPCC432620	
14MPCC441020	14GTR-4410-20
14MPCC99437	14GTR-994-37
14MPCC112037	14GTR-1120-37
14MPCC119037	14GTR-1190-37
14MPCC126037	14GTR-1260-37
14MPCC140037	14GTR-1400-37
14MPCC156837	14GTR-1568-37
14MPCC161037	
14MPCC175037	14GTR-1890-37
14MPCC189037	14GTR-1890-37
14MPCC196037	14GTR-1960-37
14MPCC210037	14GTR-2100-37
14MPCC224037	14GTR-2240-37
14MPCC231037	
14MPCC238037	14GTR-2380-37
14MPCC245037	
14MPCC252037	14GTR-2520-37
14MPCC259037	
14MPCC266037	14GTR-2660-37
14MPCC280037	14GTR-2800-37
14MPCC313637	14GTR-3136-37
14MPCC330437	14GTR-3304-37
14MPCC336037	
14MPCC350037	14GTR-3500-37
14MPCC385037	
14MPCC392037	14GTR-4280-37
14MPCC432637	
14MPCC441037	14GTR-4410-37
14MPCC99468	14GTR-994-68
14MPCC112068	14GTR-1120-68
14MPCC119068	14GTR-1190-68
14MPCC126068	14GTR-1260-68
14MPCC140068	14GTR-1400-68
14MPCC156868	14GTR-1568-68
14MPCC161068	
14MPCC175068	14GTR-1890-68
14MPCC189068	14GTR-1890-68
14MPCC196068	14GTR-1960-68
14MPCC210068	14GTR-2100-68
14MPCC224068	14GTR-2240-68
14MPCC231068	
14MPCC238068	14GTR-2380-68

TBW QT Power Chain II Carbon Part Number	Goodyear Falcon HTC® Part Number
14MPCC245068	
14MPCC252068	14GTR-2520-68
14MPCC259068	
14MPCC266068	14GTR-2660-68
14MPCC280068	14GTR-2800-68
14MPCC313668	14GTR-3136-68
14MPCC330468	14GTR-3304-68
14MPCC336068	
14MPCC350068	14GTR-3500-68
14MPCC385068	
14MPCC392068	14GTR-4280-68
14MPCC432668	
14MPCC441068	14GTR-4410-68
14MPCC99490	14GTR-994-90
14MPCC112090	14GTR-1120-90
14MPCC119090	14GTR-1190-90
14MPCC126090	14GTR-1260-90
14MPCC140090	14GTR-1400-90
14MPCC156890	14GTR-1568-90
14MPCC161090	
14MPCC175090	14GTR-1890-90
14MPCC189090	14GTR-1890-90
14MPCC196090	14GTR-1960-90
14MPCC210090	14GTR-2100-90
14MPCC224090	14GTR-2240-90
14MPCC231090	
14MPCC238090	14GTR-2380-90
14MPCC245090	
14MPCC252090	14GTR-2520-90
14MPCC259090	
14MPCC266090	14GTR-2660-90
14MPCC280090	14GTR-2800-90
14MPCC313690	14GTR-3136-90
14MPCC330490	14GTR-3304-90
14MPCC336090	
14MPCC350090	14GTR-3500-90
14MPCC385090	
14MPCC392090	14GTR-4280-90
14MPCC432690	
14MPCC441090	14GTR-4410-90
14MPCC994125	14GTR-994-125
14MPCC1120125	14GTR-1120-125
14MPCC1190125	14GTR-1190-125
14MPCC1260125	14GTR-1260-125
14MPCC1400125	14GTR-1400-125
14MPCC1568125	14GTR-1568-125
14MPCC1610125	
14MPCC1750125	14GTR-1890-125
14MPCC1890125	14GTR-1890-125
14MPCC1960125	14GTR-1960-125
14MPCC2100125	14GTR-2100-125
14MPCC2240125	14GTR-2240-125
14MPCC2310125	
14MPCC2380125	14GTR-2380-125
14MPCC2450125	
14MPCC2520125	14GTR-2520-125
14MPCC2590125	
14MPCC2660125	14GTR-2660-125
14MPCC2800125	14GTR-2800-125
14MPCC3136125	14GTR-3136-125
14MPCC3304125	14GTR-3304-125
14MPCC3360125	
14MPCC3500125	14GTR-3500-125
14MPCC3850125	
14MPCC3920125	14GTR-4280-125
14MPCC4326125	
14MPCC4410125	14GTR-4410-125

QT Power Chain® II Carbon Interchange

8mm Sprockets

TBW QT Power Chain II Part Number	Gates Poly Chain® GT@2 Part Number	Goodyear Falcon HTC® Part Number
8MPC22S12	8MX-22S-12	GTR-22G-8M-12
8MPC22S12MPB	PB8MX-22S-12	
8MPC25S12	8MX-25S-12	GTR-25G-8M-12
8MPC25S12MPB	PB8MX-25S-12	
8MPC26S12	8MX-26S-12	
8MPC27S12	8MX-27S-12	
8MPC28S12	8MX-28S-12	GTR-28G-8M-12
8MPC28S12MPB	PB8MX-28S-12	
8MPC29S12	8MX-29S-12	
8MPC30S12	8MX-30S-12	GTR-30G-8M-12
8MPC30S12MPB	PB8MX-30S-12	
8MPC31S12	8MX-31S-12	
8MPC32S12	8MX-32S-12	GTR-32G-8M-12
8MPC32S12MPB	PB8MX-32S-12	
8MPC33S12	8MX-33S-12	
8MPC34S12	8MX-34S-12	GTR-34G-8M-12
8MPC35S12	8MX-35S-12	
8MPC36S12	8MX-36S-12	GTR-36G-8M-12
8MPC37S12	8MX-37S-12	
8MPC38S12	8MX-38S-12	GTR-38G-8M-12
8MPC39S12	8MX-39S-12	
8MPC40S12	8MX-40S-12	GTR-40G-8M-12
8MPC41S12	8MX-41S-12	
8MPC42S12	8MX-42S-12	
8MPC45S12	8MX-45S-12	GTR-45G-8M-12
8MPC48S12	8MX-48S-12	GTR-48G-8M-12
8MPC50S12	8MX-50S-12	GTR-50G-8M-12
8MPC53S12	8MX-53S-12	
8MPC56S12	8MX-56S-12	GTR-56G-8M-12
8MPC60S12	8MX-60S-12	GTR-60G-8M-12* GTR-64G-8M-12*
8MPC63S12	8MX-63S-12	
8MPC67S12	8MX-67S-12	
8MPC71S12	8MX-71S-12	
8MPC75S12	8MX-75S-12	GTR-75G-8M-12
8MPC80S12	8MX-80S-12	GTR-80G-8M-12
8MPC90S12	8MX-90S-12	GTR-90G-8M-12
8MPC112S12	8MX-112S-12	
8MPC140S12	8MX-140S-12	
8MPC180S12	8MX-180S-12	
8MPC224S12	8MX-224S-12	
8MPC22S21	8MX-22S-21	GTR-22G-8M-21
8MPC22S21MPB	PB8MX-22S-21	
8MPC25S21	8MX-25S-21	GTR-25G-8M-21
8MPC25S21MPB	PB8MX-25S-21	
8MPC26S21	8MX-26S-21	GTR-26G-8M-21*
8MPC27S21	8MX-27S-21	
8MPC28S21	8MX-28S-21	GTR-28G-8M-21
8MPC28S21MPB	PB8MX-28S-21	
8MPC29S21	8MX-29S-21	
8MPC30S21	8MX-30S-21	GTR-30G-8M-21
8MPC30S21MPB	PB8MX-30S-21	
8MPC31S21	8MX-31S-21	
8MPC32S21	8MX-32S-21	GTR-32G-8M-21
8MPC32S21MPB	PB8MX-32S-21	
8MPC33S21	8MX-33S-21	
8MPC34S21	8MX-34S-21	GTR-34G-8M-21
8MPC35S21	8MX-35S-21	
8MPC36S21	8MX-36S-21	GTR-36G-8M-21
8MPC37S21	8MX-37S-21	
8MPC38S21	8MX-38S-21	GTR-38G-8M-21
8MPC39S21	8MX-39S-21	
8MPC40S21	8MX-40S-21	GTR-40G-8M-21
8MPC41S21	8MX-41S-21	
8MPC42S21	8MX-42S-21	
8MPC45S21	8MX-45S-21	GTR-45G-8M-21
8MPC48S21	8MX-48S-21	GTR-48G-8M-21
8MPC50S21	8MX-50S-21	GTR-50G-8M-21

*Check Availability

TBW QT Power Chain II Part Number	Gates Poly Chain® GT@2 Part Number	Goodyear Falcon HTC® Part Number
8MPC53S21	8MX-53S-21	
8MPC56S21	8MX-56S-21	GTR-56G-8M-21
8MPC60S21	8MX-60S-21	GTR-60G-8M-21
8MPC63S21	8MX-63S-21	
8MPC67S21	8MX-67S-21	GTR-64G-8M-21*
8MPC71S21	8MX-71S-21	
8MPC75S21	8MX-75S-21	GTR-75G-8M-21
8MPC80S21	8MX-80S-21	GTR-80G-8M-21
8MPC90S21	8MX-90S-21	GTR-90G-8M-21
8MPC112S21	8MX-112S-21	GTR-112G-8M-21*
8MPC140S21	8MX-140S-21	GTR-140G-8M-21*
8MPC180S21	8MX-180S-21	
8MPC224S21	8MX-224S-21	
8MPC22S36MPB	PB8MX-22S-36	GTR-25G-8M-36
8MPC25S36MPB	PB8MX-25S-36	
8MPC28S36MPB	PB8MX-28S-36	GTR-28G-8M-36
8MPC30S36MPB	PB8MX-30S-36	GTR-30G-8M-36
8MPC32S36	8MX-32S-36	GTR-32G-8M-36
8MPC32S36MPB	PB8MX-32S-36	
8MPC33S36	8MX-33S-36	
8MPC34S36	8MX-34S-36	GTR-34G-8M-36
8MPC34S36MPB	PB8MX-34S-36	
8MPC35S36	8MX-35S-36	
8MPC36S36	8MX-36S-36	GTR-36G-8M-36
8MPC36S36MPB	PB8MX-36S-36	
8MPC37S36	8MX-37S-36	
8MPC38S36	8MX-38S-36	GTR-38G-8M-36
8MPC38S36MPB	PB8MX-38S-36	
8MPC39S36	8MX-39S-36	
8MPC40S36	8MX-40S-36	GTR-40G-8M-36
8MPC41S36	8MX-41S-36	
8MPC42S36	8MX-42S-36	
8MPC45S36	8MX-45S-36	GTR-45G-8M-36
8MPC48S36	8MX-48S-36	GTR-48G-8M-36
8MPC50S36	8MX-50S-36	GTR-50G-8M-36
8MPC53S36	8MX-53S-36	
8MPC56S36	8MX-56S-36	GTR-56G-8M-36
8MPC60S36	8MX-60S-36	GTR-60G-8M-36
8MPC63S36	8MX-63S-36	
8MPC67S36	8MX-67S-36	GTR-64G-8M-36*
8MPC71S36	8MX-71S-36	
8MPC75S36	8MX-75S-36	GTR-75G-8M-36
8MPC80S36	8MX-80S-36	GTR-80G-8M-36
8MPC90S36	8MX-90S-36	GTR-90G-8M-36
8MPC112S36	8MX-112S-36	GTR-112G-8M-36*
8MPC140S36	8MX-140S-36	GTR-140G-8M-36*
8MPC180S36	8MX-180S-36	GTR-168G-8M-36*
8MPC224S36	8MX-224S-36	GTR-192G-8M-36*
8MPC22S62MPB	PB8MX-22S-62	
8MPC25S62MPB	PB8MX-25S-62	
8MPC28S62MPB	PB8MX-28S-62	
8MPC30S62MPB	PB8MX-30S-62	GTR-30G-8M-62
8MPC32S62MPB	PB8MX-32S-62	GTR-32G-8M-62
8MPC34S62	8MX-34S-62	GTR-34G-8M-62
8MPC34S62MPB	PB8MX-34S-62	
8MPC36S62	8MX-36S-62	GTR-36G-8M-62
8MPC36S62MPB	PB8MX-36S-62	
8MPC38S62	8MX-38S-62	GTR-38G-8M-62
8MPC38S62MPB	PB8MX-38S-62	
8MPC40S62	8MX-40S-62	GTR-40G-8M-62
8MPC40S62MPB	PB8MX-40S-62	
8MPC42S62	8MX-42S-62	
8MPC42S62MPB	PB8MX-42S-62	
8MPC45S62	8MX-45S-62	GTR-45G-8M-62

*Check Availability

QT Power Chain® II Carbon Interchange

8mm Sprockets (continued)

TBW QT Power Chain II Part Number	Gates Poly Chain® GT@2 Part Number	Goodyear Falcon HTC® Part Number
8MPC45S62MPB	PB8MX-45S-62	
8MPC48S62	8MX-48S-62	GTR-48G-8M-62
8MPC50S62	8MX-50S-62	GTR-50G-8M-62
8MPC53S62	8MX-53S-62	
8MPC56S62	8MX-56S-62	GTR-56G-8M-62*
8MPC60S62	8MX-60S-62	GTR-60G-8M-62
8MPC63S62	8MX-63S-62	GTR-64G-8M-62*
8MPC67S62	8MX-67S-62	
8MPC71S62	8MX-71S-62	
8MPC75S62	8MX-75S-62	GTR-75G-8M-62
8MPC80S62	8MX-80S-62	GTR-80G-8M-62
8MPC90S62	8MX-90S-62	GTR-90G-8M-62
8MPC112S62	8MX-112S-62	GTR-112G-8M-62*
8MPC140S62	8MX-140S-62	GTR-140G-8M-62*
8MPC180S62	8MX-180S-62	GTR-168G-8M-62*
8MPC224S62	8MX-224S-62	GTR-192G-8M-62*

*Check Availability

14mm Sprockets

TBW QT Power Chain II Part Number	Gates Poly Chain® GT@2 Part Number	Goodyear Falcon HTC® Part Number
14MPC35S37	14MX-35S-37	
14MPC36S37	14MX-36S-37	GTR-36G-14M-37
14MPC37S37	14MX-37S-37	
14MPC38S37	14MX-38S-37	GTR-38G-14M-37
14MPC39S37	14MX-39S-37	
14MPC40S37	14MX-40S-37	GTR-40G-14M-37
14MPC43S37	14MX-43S-37	GTR-44G-14M-37*
14MPC45S37	14MX-45S-37	
14MPC48S37	14MX-48S-37	GTR-48G-14M-37
14MPC50S37	14MX-50S-37	GTR-50G-14M-37
14MPC53S37	14MX-53S-37	
14MPC56S37	14MX-56S-37	GTR-56G-14M-37
14MPC60S37	14MX-60S-37	GTR-60G-14M-37
14MPC63S37	14MX-63S-37	GTR-64G-14M-37*
14MPC67S37	14MX-67S-37	
14MPC71S37	14MX-71S-37	GTR-72G-14M-37*
14MPC75S37	14MX-75S-37	GTR-80G-14M-37*
14MPC80S37	14MX-80S-37	
14MPC90S37	14MX-90S-37	GTR-90G-14M-37*
14MPC112S37	14MX-112S-37	GTR-112G-14M-37*
14MPC126S37	14MX-126S-37	
14MPC140S37	14MX-140S-37	GTR-140G-14M-37*
14MPC154S37	14MX-154S-37	
14MPC168S37	14MX-168S-37	GTR-168G-14M-37*
14MPC180S37	14MX-180S-37	GTR-180G-14M-37*
14MPC200S37	14MX-200S-37	GTR-192G-14M-37*
14MPC224S37	14MX-224S-37	GTR-200G-14M-37*
14MPC28S68MPB	PB14MX-28S-68	GTR-28G-14M-68*
14MPC29S68	14MX-29S-68	GTR-29G-14M-68*
14MPC29S68MPB	PB14MX-29S-68	
14MPC30S68	14MX-30S-68	GTR-30G-14M-68*
14MPC30S68MPB	PB14MX-30S-68	
14MPC31S68	14MX-31S-68	
14MPC31S68MPB	PB14MX-31S-68	
14MPC32S68	14MX-32S-68	GTR-32G-14M-68*
14MPC32S68MPB	PB14MX-32S-68	
14MPC33S68	14MX-33S-68	
14MPC33S68MPB	PB14MX-33S-68	
14MPC34S68	14MX-34S-68	GTR-34G-14M-68*
14MPC34S68MPB	PB14MX-34S-68	
14MPC35S68	14MX-35S-68	
14MPC36S68	14MX-36S-68	GTR-36G-14M-68
14MPC37S68	14MX-37S-68	
14MPC38S68	14MX-38S-68	GTR-38G-14M-68
14MPC39S68	14MX-39S-68	
14MPC40S68	14MX-40S-68	GTR-40G-14M-68
14MPC43S68	14MX-43S-68	GTR-44G-14M-68*
14MPC45S68	14MX-45S-68	
14MPC48S68	14MX-48S-68	GTR-48G-14M-68
14MPC50S68	14MX-50S-68	GTR-50G-14M-68
14MPC53S68	14MX-53S-68	
14MPC56S68	14MX-56S-68	GTR-56G-14M-68
14MPC60S68	14MX-60S-68	GTR-60G-14M-68
14MPC63S68	14MX-63S-68	GTR-64G-14M-68*
14MPC67S68	14MX-67S-68	
14MPC71S68	14MX-71S-68	GTR-72G-14M-68*
14MPC75S68	14MX-75S-68	
14MPC80S68	14MX-80S-68	GTR-80G-14M-68*
14MPC90S68	14MX-90S-68	GTR-90G-14M-68*
14MPC112S68	14MX-112S-68	GTR-112G-14M-68*
14MPC140S68	14MX-140S-68	GTR-140G-14M-68*
14MPC168S68	14MX-168S-68	GTR-168G-14M-68*
14MPC180S68	14MX-180S-68	GTR-192G-14M-68*
14MPC200S68	14MX-200S-68	

*Check Availability

14mm Sprockets

TBW QT Power Chain II Part Number	Gates Poly Chain® GT@2 Part Number	Goodyear Falcon HTC® Part Number
14MPC28S20	14MX-28S-20	GTR-28G-14M-20
14MPC29S20	14MX-29S-20	GTR-29G-14M-20*
14MPC30S20	14MX-30S-20	GTR-30G-14M-20
14MPC31S20	14MX-31S-20	
14MPC32S20	14MX-32S-20	GTR-32G-14M-20
14MPC33S20	14MX-33S-20	
14MPC34S20	14MX-34S-20	GTR-34G-14M-20
14MPC35S20	14MX-35S-20	
14MPC36S20	14MX-36S-20	GTR-36G-14M-20
14MPC37S20	14MX-37S-20	
14MPC38S20	14MX-38S-20	GTR-38G-14M-20
14MPC39S20	14MX-39S-20	
14MPC40S20	14MX-40S-20	GTR-40G-14M-20
14MPC43S20	14MX-43S-20	GTR-44G-14M-20*
14MPC45S20	14MX-45S-20	
14MPC48S20	14MX-48S-20	GTR-48G-14M-20
14MPC50S20	14MX-50S-20	GTR-50G-14M-20
14MPC53S20	14MX-53S-20	
14MPC56S20	14MX-56S-20	GTR-56G-14M-20
14MPC60S20	14MX-60S-20	GTR-60G-14M-20
14MPC63S20	14MX-63S-20	GTR-64G-14M-20*
14MPC67S20	14MX-67S-20	
14MPC71S20	14MX-71S-20	GTR-72G-14M-20*
14MPC75S20	14MX-75S-20	
14MPC80S20	14MX-80S-20	GTR-80G-14M-20*
14MPC90S20	14MX-90S-20	GTR-90G-14M-20*
14MPC112S20	14MX-112S-20	GTR-112G-14M-20*
14MPC126S20	14MX-126S-20	
14MPC140S20	14MX-140S-20	GTR-140G-14M-20*
14MPC168S20	14MX-168S-20	GTR-168G-14M-20*
14MPC180S20	14MX-180S-20	
14MPC200S20	14MX-200S-20	
14MPC224S20	14MX-224S-20	
14MPC28S37	14MX-28S-37	GTR-28G-14M-37
14MPC28S37MPB	PB14MX-28S-37	
14MPC29S37	14MX-29S-37	GTR-29G-14M-37
14MPC30S37	14MX-30S-37	
14MPC31S37	14MX-31S-37	GTR-30G-14M-37
14MPC32S37	14MX-32S-37	GTR-32G-14M-37
14MPC33S37	14MX-33S-37	
14MPC34S37	14MX-34S-37	GTR-34G-14M-37

*Check Availability

QT Power Chain® II Carbon Interchange

14mm Sprockets (continued)

TBW QT Power Chain II Part Number	Gates Poly Chain® GT@2 Part Number	Goodyear Falcon HTC® Part Number
14MPC224S68	14MX-224S-68	
14MPC28S90MPB	PB14MX-28S-90	
14MPC29S90MPB	PB14MX-29S-90	
14MPC30S90MPB	PB14MX-30S-90	GTR-30G-14M-90*
14MPC31S90MPB	PB14MX-31S-90	
14MPC32S90MPB	PB14MX-32S-90	GTR-32G-14M-90*
14MPC33S90MPB	PB14MX-33S-90	
14MPC34S90MPB	PB14MX-34S-90	GTR-34G-14M-90*
14MPC35S90	14MX-35S-90	
14MPC35S90MPB	PB14MX-35S-90	
14MPC36S90	14MX-36S-90	GTR-36G-14M-90
14MPC36S90MPB	PB14MX-36S-90	
14MPC37S90	14MX-37S-90	
14MPC37S90MPB	PB14MX-37S-90	
14MPC38S90	14MX-38S-90	GTR-38G-14M-90
14MPC38S90MPB	PB14MX-38S-90	
14MPC39S90	14MX-39S-90	
14MPC39S90MPB	PB14MX-39S-90	
14MPC40S90	14MX-40S-90	GTR-40G-14M-90
14MPC40S90MPB	PB14MX-40S-90	
14MPC43S90	14MX-43S-90	
		GTR-44G-14M-90*
14MPC45S90	14MX-45S-90	
14MPC48S90	14MX-48S-90	GTR-48G-14M-90*
14MPC50S90	14MX-50S-90	GTR-50G-14M-90*
14MPC53S90	14MX-53S-90	
14MPC56S90	14MX-56S-90	GTR-56G-14M-90*
14MPC60S90	14MX-60S-90	GTR-60G-14M-90*
14MPC63S90	14MX-63S-90	
		GTR-64G-14M-90*
14MPC67S90	14MX-67S-90	
14MPC71S90	14MX-71S-90	
		GTR-72G-14M-90*
14MPC75S90	14MX-75S-90	
14MPC80S90	14MX-80S-90	GTR-80G-14M-90*
14MPC90S90	14MX-90S-90	GTR-90G-14M-90*
14MPC112S90	14MX-112S-90	GTR-112G-14M-90*
14MPC140S90	14MX-140S-90	GTR-140G-14M-90*
14MPC168S90	14MX-168S-90	GTR-168G-14M-90*
14MPC180S90	14MX-180S-90	

*Check Availability

TBW QT Power Chain II Part Number	Gates Poly Chain® GT@2 Part Number	Goodyear Falcon HTC® Part Number
		GTR-192G-14M-90*
14MPC200S90	14MX-200S-90	
14MPC224S90	14MX-224S-90	
14MPC28S125MPB	PB14MX-28S-125	
14MPC29S125MPB	PB14MX-29S-125	
14MPC30S125MPB	PB14MX-30S-125	
14MPC31S125MPB	PB14MX-31S-125	
14MPC32S125MPB	PB14MX-32S-125	
14MPC33S125MPB	PB14MX-33S-125	
14MPC34S125MPB	PB14MX-34S-125	
14MPC35S125MPB	PB14MX-35S-125	
14MPC36S125MPB	PB14MX-36S-125	
14MPC37S125MPB	PB14MX-37S-125	
14MPC38S125MPB	PB14MX-38S-125	GTR-38G-14M-125*
14MPC39S125MPB	PB14MX-39S-125	
14MPC40S125MPB	PB14MX-40S-125	GTR-40G-14M-125*
14MPC43S125MPB	PB14MX-43S-125	
		GTR-44G-14M-125*
14MPC45S125MPB	PB14MX-45S-125	GTR-48G-14M-125*
14MPC48S125MPB	PB14MX-48S-125	GTR-50G-14M-125*
14MPC50S125	14MX-50S-125	
14MPC53S125	14MX-53S-125	
14MPC56S125	14MX-56S-125	GTR-56G-14M-125*
14MPC60S125	14MX-60S-125	GTR-60G-14M-125*
14MPC63S125	14MX-63S-125	
		GTR-64G-14M-125*
14MPC67S125	14MX-67S-125	
14MPC71S125	14MX-71S-125	
		GTR-72G-14M-125*
14MPC75S125	14MX-75S-125	
14MPC80S125	14MX-80S-125	GTR-80G-14M-125*
14MPC90S125	14MX-90S-125	GTR-90G-14M-125*
14MPC112S125	14MX-112S-125	GTR-112G-14M-125*
14MPC140S125	14MX-140S-125	GTR-140G-14M-125*
14MPC168S125	14MX-168S-125	GTR-168G-14M-125*
14MPC180S125	14MX-180S-125	
		GTR-192G-14M-125*
14MPC200S125	14MX-200S-125	
14MPC224S125	14MX-224S-125	

*Check Availability

The Power Of One, The Strength Of Many.

OTHER PRODUCT SOLUTIONS FROM
ALTRA INDUSTRIAL MOTION

WWW.ALTRAMOTION.COM

Our comprehensive product offerings include various types of clutches and brakes, overrunning clutches, engineered bearing assemblies, gearing and gear motors along with linear products, belted drives, couplings and limit switches. With thousands of product solutions available, Altra provides true single source convenience while meeting specific customer requirements. Many major OEMs and end users prefer Altra products as their No. 1 choice for performance and reliability.



ELECTRIC CLUTCHES AND BRAKES

Inertia Dynamics
Matrix
Stromag
Warner Electric



HEAVY DUTY CLUTCHES AND BRAKES

Industrial Clutch
Stromag
Svendborg Brakes
Twiflex
Wichita Clutch



OVERRUNNING CLUTCHES

Formsprag Clutch
Marland Clutch
Stieber



ENGINEERED COUPLINGS AND UNIVERSAL JOINTS

Ameridrives
Bibby Turboflex
Guardian Couplings
Huco
Lamiflex Couplings
Stromag
TB Wood's



GEAR DRIVES

Bauer Gear Motor
Boston Gear
Delroyd Worm Gear
Nuttall Gear



GEAR MOTORS

Bauer Gear Motor



POWER TRANSMISSION COMPONENTS

LINEAR ACTUATORS AND CONTROLS

Warner Linear



ENGINEERED BEARING ASSEMBLIES

Kilian



AIR MOTORS

Huco



BELTED DRIVES AND SHEAVES

TB Wood's



GEARED CAM LIMIT SWITCHES

Stromag

Altra Industrial Motion

TB Wood's Facilities

North America

USA

440 North Fifth Avenue
Chambersburg, PA 17201 - USA
888-829-6637 * 717-264-7161
Belted Drives and Elastomeric Couplings

Customer Service

1-888-829-6637 (Press #5)

For Application Support

1-888-829-6637 (Press #7)

2000 Clovis Barker Road
San Marcos, TX 78666 - USA
1-888-449-9439
General Purpose Disc Couplings

Customer Service

1-888-449-9439

4970 Joule St
Reno, NV 89502 - USA
775-857-1800

Canada

9779 45 Ave NW
Edmonton, AB T6E 5V8 - Canada
+1 780-439-7979

6305 Danville Road
Mississauga, ON L5T 2H7 - Canada
1-800-829-6631

1073 Rue Bégin
Saint-Laurent, QC H4R 1V8 - Canada
+1 514-332-4812

Mexico

Comisión Federal de Electricidad 850,
Industrial San Luis,
San Luis, S.L.P., 78395 - Mexico
+52 444 137 1500

Europe

Merchant Drive, Hertford
Hertfordshire SG13 7BL - England
+44(0)1992 501900
Elastomeric Couplings

The Brands of Altra Industrial Motion

Couplings

Ameridrives
www.ameridrives.com

Bibby Turboflex
www.bibbyturboflex.com

Guardian Couplings
www.guardiancouplings.com

Huco
www.huco.com

Lamiflex Couplings
www.lamiflexcouplings.com

Stromag
www.stromag.com

TB Wood's
www.tbwoods.com

Gear Cam Limit Switches

Stromag
www.stromag.com

Electric Clutches & Brakes

Inertia Dynamics
www.idicb.com

Matrix
www.matrix-international.com

Stromag
www.stromag.com

Warner Electric
www.warnerelectric.com

Linear Products

Warner Linear
www.warnerlinear.com

Engineered Bearing Assemblies

Kilian
www.kilianbearings.com

Heavy Duty Clutches & Brakes

Industrial Clutch
www.indclutch.com

Twiflex
www.twiflex.com

Stromag
www.stromag.com

Svendborg Brakes
www.svendborg-brakes.com

Wichita Clutch
www.wichitaclutch.com

Belted Drives

TB Wood's
www.tbwoods.com

Gearing

Bauer Gear Motor
www.bauergears.com

Boston Gear
www.bostongear.com

Delroyd Worm Gear
www.delroyd.com

Nuttall Gear
www.nuttallgear.com

Overrunning Clutches

Formsprag Clutch
www.formsprag.com

Marland Clutch
www.marland.com

Stieber
www.stieberclutch.com

Neither the accuracy nor completeness of the information contained in this publication is guaranteed by the company and may be subject to change in its sole discretion. The operating and performance characteristics of these products may vary depending on the application, installation, operating conditions and environmental factors. The company's terms and conditions of sale can be viewed at <http://www.altramotion.com/terms-and-conditions/sales-terms-and-conditions>. These terms and conditions apply to any person who may buy, acquire or use a product referred to herein, including any person who buys from a licensed distributor of these branded products.

©2018 by TB Wood's LLC. All rights reserved. All trademarks in this publication are the sole and exclusive property of TB Wood's LLC or one of its affiliated companies.



www.tbwoods.com



**DISTRIBUIDOR
AUTORIZADO**

**MEX (55) 53 63 23 31
QRO (442) 1 95 72 60**

**MTY (81) 83 54 10 18
ventas@industrialmagza.com**