











































































































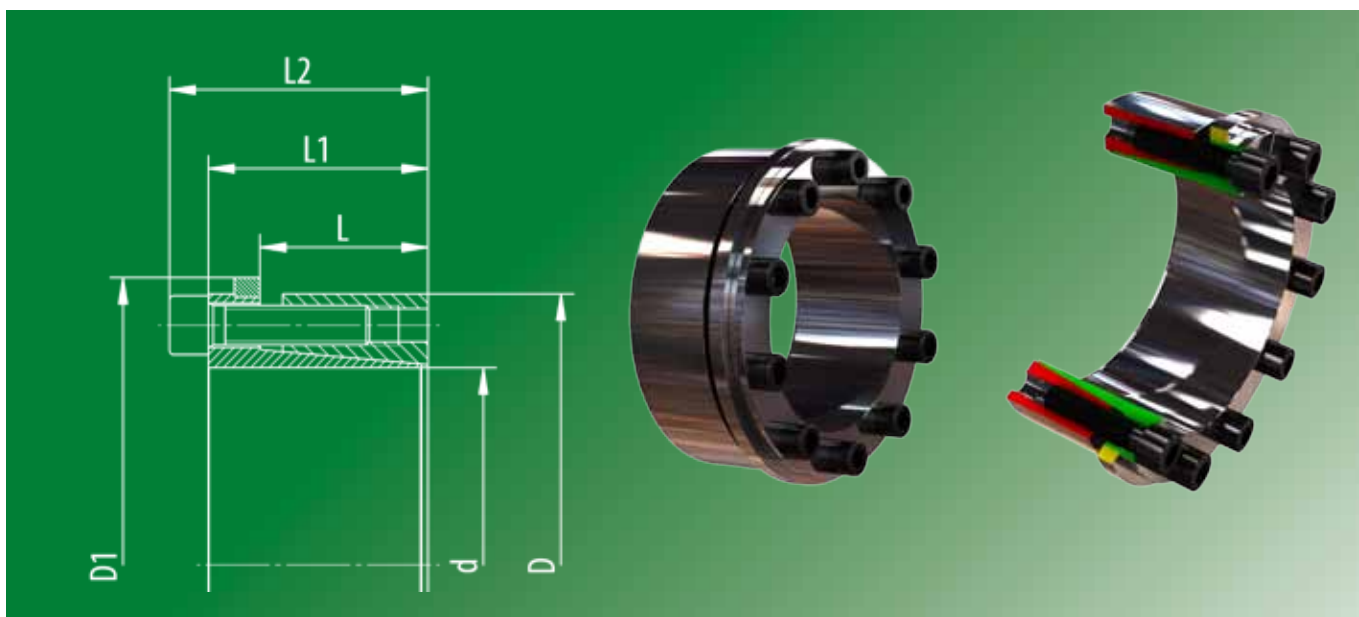






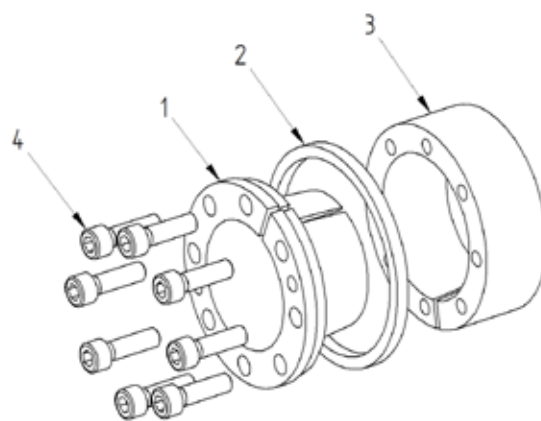


# TAS 131



## Used symbols

$d$	[mm]	Shaft diameter	
$D$	[mm]	Hub inside diameter	
$M_t$	[Nm]	Max. transmittable torque	$F_{ax} = 0$
$F_{ax}$	[kN]	Max. transmittable axial force	$M_t = 0$
$p_w$	[N/mm <sup>2</sup> ]	Average pressure on the shaft	
$p_n$	[N/mm <sup>2</sup> ]	Average pressure on the hub	
$L$	[mm]	Distance of the pressure ring	
$L_1$	[mm]	Width of the locking device without screws	
$L_2$	[mm]	Width of the locking device with screws	
$Z$		Number of clamping screws	
$S$		Size of the clamping screws	
$M_A$	[Nm]	Tightening torque of the clamping screws	



Pos.	Benennung
1	Sleeve
2	Distance ring
3	Pressure ring
4	Screw

## Recommended tolerances & surfaces

Shaft	h8 / Rz10
Hub	H8 / Rz10

## Bending loads

Bending moment (share)	$M_B \text{ max} = 0,35 * M_t$
Bending angle	max. 5°

## More properties

- no axial displacement during assembly
- good self-centering
- high self-locking

Ordering information: TAS 131/d/D (for example: TAS 131/20/47 ... further sizes on request)

# TAS 131

<i>d</i> mm		<i>D</i> mm	<i>D<sub>1</sub></i> mm	<i>M<sub>t</sub></i> Nm	<i>F<sub>ax</sub></i> kN	<i>p<sub>w</sub></i> N/mm <sup>2</sup>	<i>p<sub>N</sub></i> N/mm <sup>2</sup>	<i>Z</i> Stk	<i>S</i>	<i>M<sub>A</sub></i> Nm	<i>L</i> mm	<i>L<sub>1</sub></i> mm	<i>L<sub>2</sub></i> mm	<i>Weight</i> kg
20	x	47	53	320	33	170	70	6	M 6 x 25	17	31	42	48	0,42
22	x	47	53	360	33	153	70	6	M 6 x 25	17	31	42	48	0,39
24	x	50	56	390	33	144	70	6	M 6 x 25	17	31	42	48	0,43
25	x	50	56	400	33	138	70	6	M 6 x 25	17	31	42	48	0,42
28	x	55	61	450	33	120	60	6	M 6 x 25	17	31	42	48	0,51
30	x	55	61	490	33	112	60	6	M 6 x 25	17	31	42	48	0,48
32	x	60	66	690	43	136	70	8	M 6 x 25	17	31	42	48	0,57
35	x	60	66	750	43	124	70	8	M 6 x 25	17	31	42	48	0,54
38	x	65	71	820	43	120	70	8	M 6 x 25	17	31	42	48	0,63
40	x	65	71	860	43	113	70	8	M 6 x 25	17	31	42	48	0,58
42	x	75	81	1300	60	126	70	6	M 8 x 30	41	35	51	59	1,02
45	x	75	81	1400	60	118	70	6	M 8 x 30	41	35	51	59	0,99
48	x	80	86	1900	80	150	90	8	M 8 x 30	41	35	51	59	1,10
50	x	80	86	2000	80	144	90	8	M 8 x 30	41	35	51	59	1,08
55	x	85	91	2200	80	136	90	8	M 8 x 30	41	35	51	59	1,16
60	x	90	96	2400	80	120	80	8	M 8 x 30	41	35	51	59	1,24
65	x	95	101	2600	80	105	70	8	M 8 x 30	41	35	51	59	1,33
70	x	110	119	4600	130	126	80	8	M 10 x 30	83	46	61	71	2,29
75	x	115	124	5000	130	120	80	8	M 10 x 30	83	46	61	71	2,41
80	x	120	129	5200	130	107	70	8	M 10 x 30	83	46	61	71	2,56
85	x	125	134	7000	170	132	90	10	M 10 x 30	83	46	61	71	2,67
90	x	130	139	7400	170	117	80	10	M 10 x 30	83	46	61	71	2,80
95	x	135	144	7800	170	114	80	10	M 10 x 30	83	46	61	71	2,93
100	x	145	155	9800	190	115	80	8	M 12 x 35	145	52	68	80	4,10
110	x	155	165	10700	190	101	70	8	M 12 x 35	145	52	68	80	4,40
120	x	165	175	14600	240	122	90	10	M 12 x 35	145	52	68	80	4,72
130	x	180	188	19000	300	137	100	12	M 12 x 35	145	52	68	80	5,74
140	x	190	199	23000	330	123	90	10	M 14 x 40	230	58	76	90	6,92
150	x	200	209	30000	400	136	100	12	M 14 x 40	230	58	76	90	7,24
160	x	210	219	32000	400	132	100	12	M 14 x 40	230	58	76	90	7,76
170	x	225	234	39000	460	145	110	14	M 14 x 40	230	58	76	90	8,98
180	x	235	244	41000	460	133	100	14	M 14 x 40	230	58	76	90	9,50
190	x	250	259	46400	488	137	104	15	M 14 x 40	230	58	76	90	11,10
200	x	260	269	48800	488	131	100	15	M 14 x 40	230	58	76	90	11,70
220	x	285	294	59900	544	103	79	12	M 16 x 50	360	72	98	114	18,30



## Special design

For the following product features, please send us a separate request:

Other dimensions

Stainless steel designs

Split versions (e.g. TAS 3020 in very large-sized)

Galvanized or nickel plated surfaces

Countersunk screws

Reduced surface pressure

...





## Further products from our company

### Shrink disc in two-part design



TAS 3173



TAS 3171, 3181, 3191, 3193

### Shrink disc in three-part design



TAS 3073



TAS 3051, 3071, 3081,  
3091, 3093



Geteilt



Halb-G



Halb-D

### shaft couplings



TAS W



TAS WK



TAS WLA



TAS WLB



TAS AFS

### Flange couplings



TAS FK



TAS FKB



TAS FKBS

## Hydraulic products from our company

### Hydraulic actuated shrink discs



TAS SHS

## Hydraulic actuated flange coupling



TAS FKH

## Hydraulic actuated shaft coupling



TAS WHS



**DISTRIBUIDOR  
AUTORIZADO**

MEX (55) 53 63 23 31    MTY (81) 83 54 10 18  
QRO (442) 1 95 72 60    [ventas@industrialmagza.com](mailto:ventas@industrialmagza.com)

**TAS**  
**SCHÄFER**

**TAS Schäfer GmbH**

Osterfeldstraße 75

58300 Wetter (Ruhr)

Phone: +49 (0) 2335 9781-0

FAX: +49 (0) 2335 72956

E-Mail: [info@tas-schaefer.de](mailto:info@tas-schaefer.de)

Internet: [www.tas-schaefer.de](http://www.tas-schaefer.de)