

# Airgap Adjustment and Electrical Specifications for Warner GT-300

P-1759  
819-0543

Service & Installation Instructions



An Altra Industrial Motion Company

## Procedure for Air gapping Warner GT-300

### Bench setting:

1. Remove clutch from tractor.
2. Loosen but do not remove the three brake mounting screws. Insert a 0.015" feeler gauge or equivalent thickness shim stock at each screw location being careful to locate the gauge between the armature and brake ring. (Figure 1 and 2)
3. With all three feeler gauges in place, apply 12 volts to engage the clutch against the shims. While depressing the brake ring to the back of the armature at each mounting screw location, tighten the mounting screw to 140 in.lbs.
4. Remove the 12 volts applied to the clutch and remove the feeler gauges. Turn the rotor assembly to check for rotor /armature drag. The rotor should turn freely.
5. Due to dimensional variations, the airgap between the rotor and armature may vary on a clutch from .025" to .005", even though the gap at the three studs was set at 0.015". This is an acceptable condition.
6. Using the feeler gauges check the airgap at the stud locations. If the airgap does not fall between .025/.005", repeat the procedure outlined in steps 1-5 above.

## Setting air gap on the engine crankshaft

The clutch should be mounted to engine crankshaft and secured with appropriate bolt and washer with a minimum thickness of .250". Tightening torque on 7/16" bolt is 50 ft.lb. Follow steps 2-7 listed above to set airgap.

## Electrical check for Warner GT-300 clutches

### Coil resistance:

1. Turn engine and PTO switch off.
2. Disconnect clutch wire connection.
3. Select meter setting to ohms.
4. Connect meter lead wires to the terminals of the clutch(Figure 1)
5. If meter reads between 1.82 ohms and 2.03 ohms the coil is within specifications. If it falls below 1.8 or above 2.03 ohms the field needs to be replaced.

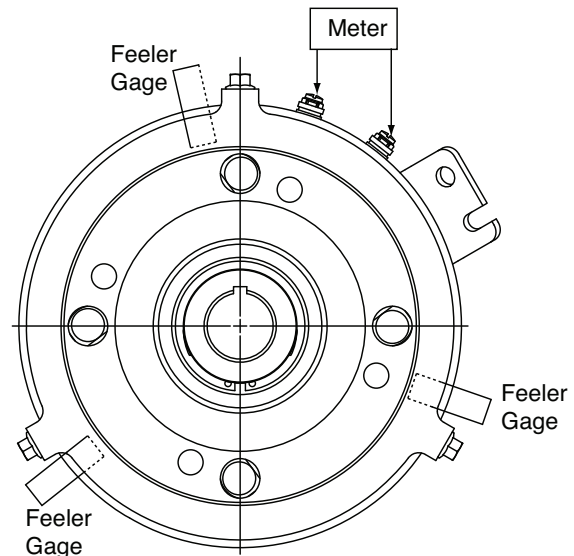


Figure 1

## Clutch current draw @ 12 volts

1. Turn off engine.
2. Disconnect clutch wire on one terminal, leaving other wire "D" connected to the clutch "B". (Figure 3)
3. Select meter to check amps (10-amp scale).
4. Connect one meter lead wire to the clutch at "A" (Figure 3)
5. Connect the other meter lead wire to the corresponding wire from the harness at "C" (Figure 3)
6. Turn PTO switch on.
7. If meter reads below 6 amps, the problem would be in the electrical system leading to the clutch (battery, relay, switch, etc.).

**NOTE:** All values taken at room temperature. Voltage at 12VDC. As temperature increases, resistance increases, and current decreases.

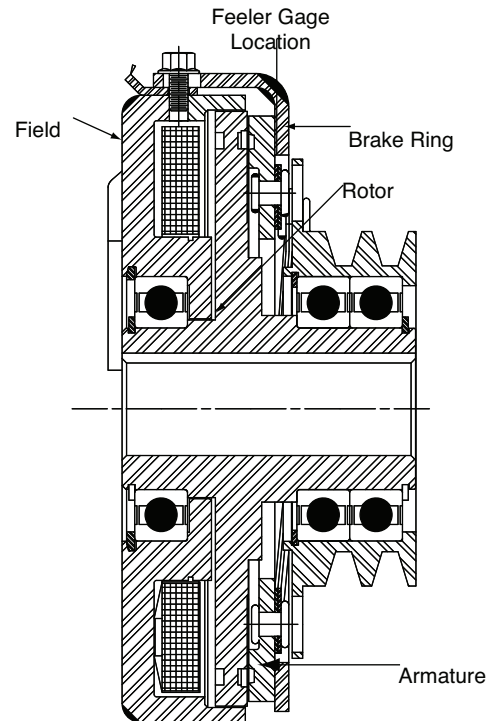


Figure 2

## Burnish Procedure

1. Run engine at approximately 25% throttle (higher RPM may be necessary if engine stalls)
2. Engage clutch, bring load up to engine RPM. Disengage and let load come to a complete stop. Repeat twelve (12) times.
3. Repeat step two at 50% throttle for five (5) cycles.
4. Increase engine RPM to full throttle and engage and disengage as in step 2 repeating five (5) times.

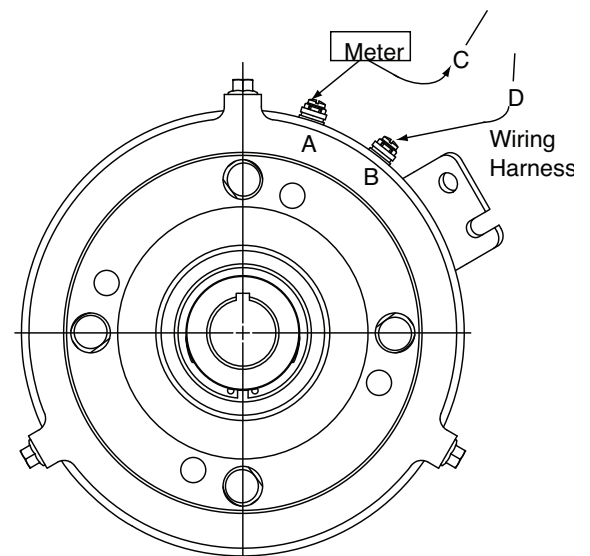


Figure 3

## Warranty

Warner Electric LLC warrants that it will repair or replace (whichever it deems advisable) any product manufactured and sold by it which proves to be defective in material or workmanship within a period of one (1) year from the date of original purchase for consumer, commercial or industrial use.

This warranty extends only to the original purchaser and is not transferable or assignable without Warner Electric LLC's prior consent.

Warranty service can be obtained in the U.S.A. by returning any defective product, transportation charges prepaid, to the appropriate Warner Electric LLC factory. Additional warranty information may be obtained by writing the Customer Satisfaction Department, Warner Electric LLC, 449 Gardner Street, South Beloit, Illinois 61080, or by calling 815-389-3771.

A purchase receipt or other proof of original purchase will be required before warranty service is rendered. If found defective under the terms of this warranty, repair or replacement will be made, without charge, together with a refund for transportation costs. If found not to be defective, you will be notified and, with your consent, the item will be repaired or replaced and returned to you at your expense.

This warranty covers normal use and does not cover damage or defect which results from alteration, accident, neglect, or improper installation, operation, or maintenance.

Some states do not allow limitation on how long an implied warranty lasts, so the above limitation may not apply to you.

Warner Electric LLC's obligation under this warranty is limited to the repair or replacement of the defective product and in no event shall Warner Electric LLC be liable for consequential, indirect, or incidental damages of any kind incurred by reason of the manufacture, sale or use of any defective product. Warner Electric LLC neither assumes nor authorizes any other person to give any other warranty or to assume any other obligation or liability on its behalf.

WITH RESPECT TO CONSUMER USE OF THE PRODUCT, ANY IMPLIED WARRANTIES WHICH THE CONSUMER MAY HAVE ARE LIMITED IN DURATION TO ONE YEAR FROM THE DATE OF ORIGINAL CONSUMER PURCHASE. WITH RESPECT TO COMMERCIAL AND INDUSTRIAL USES OF THE PRODUCT, THE FOREGOING WARRANTY IS IN LIEU OF AND EXCLUDES ALL OTHER WARRANTIES, WHETHER EXPRESSED OR IMPLIED BY OPERATION OF LAW OR OTHERWISE, INCLUDING, BUT NOT LIMITED TO, ANY IMPLIED WARRANTIES OF MERCHANTABILITY OR FITNESS.

Some states do not allow the exclusion or limitation of incidental or consequential damages, so the above limitation or exclusion may not apply to you. This warranty gives you specific legal rights and you may also have other rights which vary from state to state.

### **Changes in Dimensions and Specifications**

All dimensions and specifications shown in Warner Electric catalogs are subject to change without notice. Weights do not include weight of boxing for shipment. Certified prints will be furnished without charge on request to Warner Electric.



**Warner Electric LLC**  
449 Gardner Street • South Beloit, IL 61080  
815-389-3771 • Fax: 815-389-2582  
www.warnerelectric.com  
**An Altra Industrial Motion Company**