

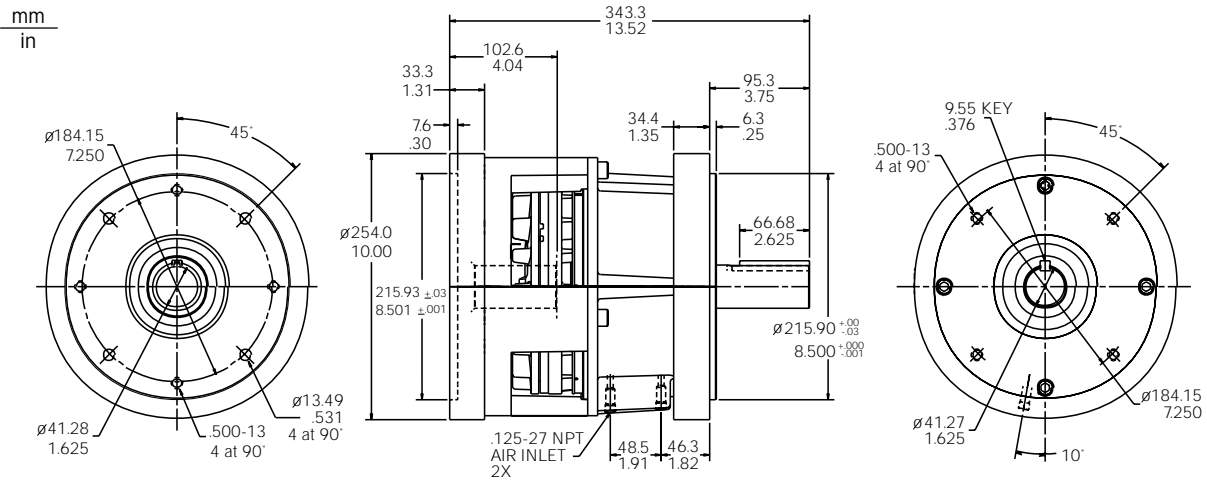
## FMCB 1625 Clutch-Brake

The Nexen Flange Mounted or Foot Mounted C-faced Clutch-Brake mounts directly to a 15 or 20 HP NEMA 254TC 256TC frame motor. The foot mounted unit allows for an offset motor for belt driven applications. Designed for controlled starts and stops, this rugged air engaged clutch-brake combines power with versatility. The single-piston design prevents overlap between the clutch and the brake, while the open housing design allows for increased thermal horsepower producing superior clutch-brake performance.



- Compatible with NEMA C-faced 15 and 20 HP 254TC or 256TC frame motors
- Mounts directly to NEMA motor
- Mounts directly to NEMA gear reducer
- Static torque up to 2000 in-lb (clutch) and 2400 in-lb (brake) at 80 psi
- Overhung load capacity of 600 lbs
- Operating speed up to 1800 rpm
- Thermal horsepower rating of 1.19 HP<sub>T</sub>
- Optional input unit and foot mount for belt driven applications
- Dual acting single piston actuation prevents clutch-brake overlap
- Use a 4 or 5 way Nexen valve to supply air to the clutch or brake

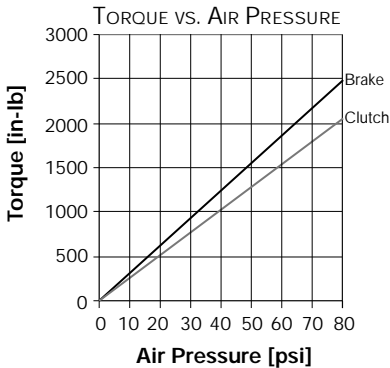
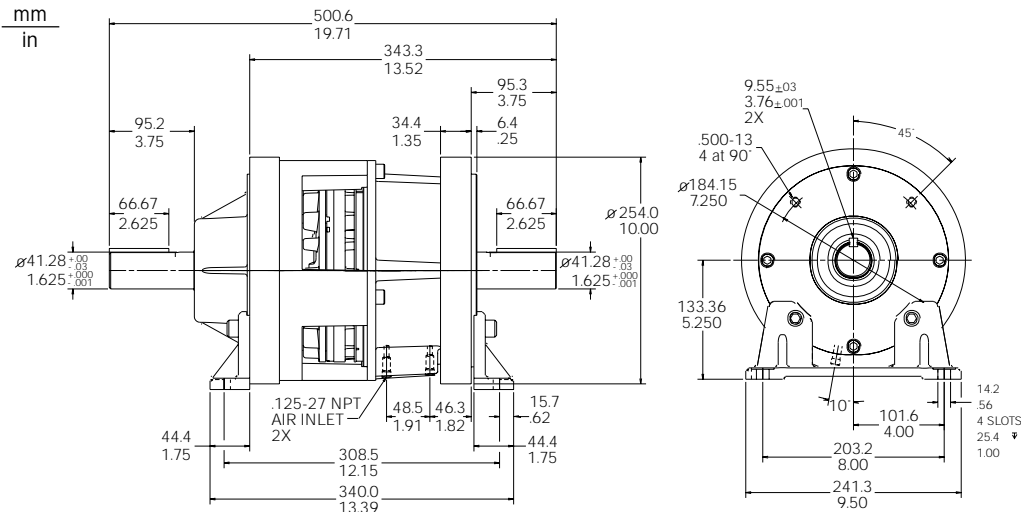
# FMCB 1625, Approximate Dimensions



OVERHUNG LOAD CAPACITY [lbs]

Model	Product Number	Motor Frame	HP <sub>T</sub> Up To	1200 RPM	1800 RPM	Shipping Wt. [lbs]
FMCB 1625	801731	254/256TC	1.19	660	600	143

# Input Unit and Feet, Approximate Dimensions



Model	FOOT MOUNT SET OF 2, SHIPPING		INPUT UNIT OVERHUNG LOAD CAPACITY [lbs]			
	Product Number	Shipping Weight [lbs]	Product Number	1200 RPM	1800 RPM	Shipping Weight [lbs]
FMCB 1625	801734	12	936001	660	600	14

NOTE: Thermal Capacity (HP)<sub>T</sub> is based on 50% Clutch, 50% Brake usage. Overhung load capacity is based on 50% clutch and 50% brake usage and is a calculated value.

In accordance with Nexen's established policy of constant product improvement, the specifications contained in this document are subject to change without notice. Technical data listed in this document are based on the latest information available at the time of printing and are also subject to change without notice. For current information, please consult [www.nexengroup.com](http://www.nexengroup.com)

**nexen**

Nexen Group, Inc.  
560 Oak Grove Parkway  
Vadnais Heights, MN  
55127

800.843.7445  
Fax: 651.286.1099  
[www.nexengroup.com](http://www.nexengroup.com)  
ISO 9001 Certified