

VKSD/VKSD-FL Disc Brake Caliper for Energy & Offshore Applications



 **Twiflex**[®]
Altra Industrial Motion



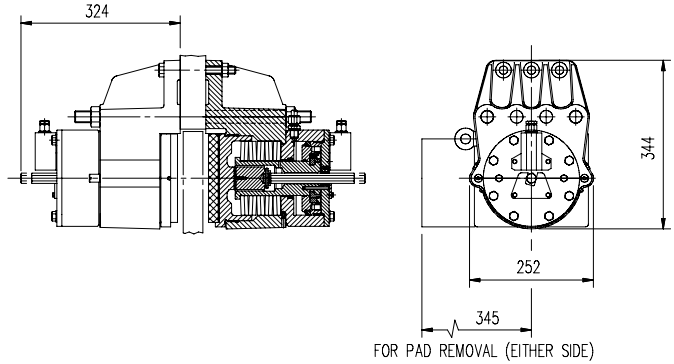
DISTRIBUIDOR MEX (55) 53 63 23 31 MTY (81) 83 54 10 18
AUTORIZADO QRO (442) 1 95 72 60 ventas@industrialmagza.com

VKSD DISC BRAKE CALIPER

DESCRIPTION

The VKSD caliper is a spring applied hydraulically released disc brake which comprises two spring modules located on either side of a mounting plate. The plate can be made in any thickness to accommodate brake discs of 20 mm thickness or over. The minimum disc diameter is 1000 mm and there is no maximum.

Each module contains a pack of disc springs to provide the pressure on the friction pad and thus the braking force on the disc.



PERFORMANCE

Braking forces in the table are at the stated air gap. Braking force increases with a reduction in air gap setting. Nominal braking force assumes fully bedded in pads with a coefficient of friction $\mu = 0.4$ Low temperature (-40°C operating) version available. "VR" large-pad version available.

Caliper Type	Disc/Pad Air Gap mm	Braking Force kN	Hydraulic Pressure for Full Retraction Bar
VKSD119	2	119	138
VKSD112	2	112	138
VKSD104	2	104	124
VKSD96	2	96	116
VKSD88	2	88	108
VKSD80	2	80	100
VKSD71	2	71	92
VKSD62	2	62	83
VKSD58	2	58	63
VKSD53	2	53	58
VKSD47	2	47	53
VKSD41	2	41	47
VKSD34	2	34	41
VKSD28	2	28	34

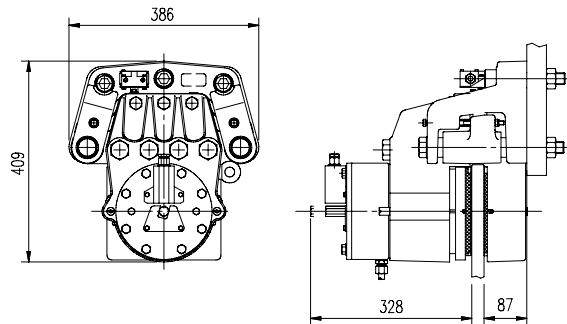
VKSD-FL DISC BRAKE CALIPER

DESCRIPTION

The VKSD-FL (Floating) caliper is a spring applied hydraulically released disc brake which comprises a standard VKSD spring module and a VKSD floating module.

As in the standard VKSD caliper the braking force can be varied by a combination of air gap setting, shim thickness between the piston and end cover or by the use of hydraulic back pressure during braking.

Weight of caliper (2 modules) - 146kg
 Volume displacement per 1mm stroke at both pads = 28ml



For both the VKSD and VKSD-FL, new pads require bedding-in / conditioning by dynamic braking to achieve the rated figures and a high standard of cleanliness and dryness at the friction surfaces.